



More *Than Just a Motor Company*



STOCK CATALOG 1050
Sub-Fractional to 700 HP

ELECTRIC MOTORS, GEARMOTORS AND DRIVES

Effective March 31, 2008

NEW IN THIS CATALOG - 2008

◆ EXTREME DUCK MOTORS

See page 38

◆ LINCOLN MOTOR KITS ADDED

See page 295

◆ LEESON GEARING MERGED WITH GROVE GEAR/ELECTRA GEAR

See page 138

TABLE OF CONTENTS

AC & DC MOTORS

	Single Phase	Three Phase
AC MOTORS		
Agricultural Motors	Page 68	---
Agricultural Motors, Industry-Ag FHP	73	---
BISSC Certified Motors	---	Page 33,37
Brakemotors, General Purpose	44	44
Brakemotors, WASHGUARD	---	37,45
BrakeKits	46	46
Compressor Duty Motors	62	62
Coupler Brakes	47	47
Explosion-Proof Motors	40	41
Exteme Duck Stainless Steel Motors	---	38
F2 Mount Motors	---	20
Fan & Blower Motors, Industrial Duty	57	57
Fan & Blower Motors, Commercial Duty FHP	59	---
Food Processing Motors	28	28
General Purpose Motors, Rigid Base	8	10
General Purpose Motors, C-Face	22	24
General Purpose Motors, Resilient Base	55	56
IEC Metric Motors	---	76
IEEE 841 Motors	---	67
Instant Reversing Motors	60	---
Inverter Motors, SPEEDMASTER®	---	21
Jet Pump Motors, Industrial-Duty	48	49
Jet Pump Motors, Commercial-Duty FHP	51	---
JM Pump Motors, General Purpose	53	53
JM Pump Motors, Stainless Steel	---	37
JM Pump Motors, WASHGUARD	---	32,54
JP Pump Motors	52	52
Motor Accessories	122	122
Motor Modifications, MOD-SQUAD	126	126
Multi-Speed Motors PDQ Motors	---	64
Pedestal Fan Motors, FHP	59	---
Paint-Free Motors	35,37	33,35,37
Poultry Motors	28	28
Premium Efficiency Motors WATTS AVER® Motors	19	16
Premium Eff. WATTS AVER® Motors, C-face	---	18
Pressure Washer Motors	61	---
Severe Duty Premium Efficient Motors	---	67
Slide Bases	125	125
Square Flange Pump Motors, Commercial Duty FHP	51	---
Stainless Steel Motors	37	35,37
Swimming Pool Motors	50	---
TENV Motors	20	20
Two-Speed Motors	57	57,65
Washdown-Duty Motors, WASHGUARD	30	31
Woodworking Motors	63	---
50 Hertz Motors	74	75
200-208/400-416 Volt Motors	---	66
575 Volt Motors	---	66,80
DC MOTORS		
SCR Rated, NEMA Motors	Page 81	
SCR Rated, NEMA Explosion-Proof	82	
SCR Rated, NEMA WASHGUARD	82	
SCR Rated, Metric (IEC) Motors	84	
SCR Rated, Sub-FHP Motors	83	
SCR Rated, All-Stainless Steel NEMA and IEC	88	
Low Voltage Motors	86	

SUB-FHP GEARMOTORS

AC GEARMOTORS

Parallel Shaft, PZ	Page 102
Parallel Shaft, P240	103
Parallel Shaft, PE350	104
Parallel Shaft, P1100	106
Right-Angle	106
Inverter-Rated	108

DC GEARMOTORS

Parallel Shaft, PZ	Page 90
Parallel Shaft, P300	91
Parallel Shaft, P300, WASHGUARD	99
Parallel Shaft, PE350	95
Parallel Shaft, PE350, WASHGUARD	100
Parallel Shaft, P1100	96
Offset Shaft, OS300	94
Right-Angle	97
Right-Angle, WASHGUARD	101
Right-Angle, Series 12	98

AC & DC ADJUSTABLE SPEED DRIVES

AC INVERTERS

Micro Series, NEMA 1	Page 111
Micro Series, NEMA 4/12 & 4X	112
SM Series	115
SM Plus Series	114
Vector Series	116
Accessories	113,117
FHP Series	118

DC DRIVES

SCR Rated	Page 119
Low Voltage	87

GENERAL INFORMATION

MOTORS

Technical Information	Page 305
Cross References	
Baldor-to-LEESON	146
Grainger/Dayton-to-LEESON	158
Magnetek/AO Smith-to-LEESON	154
Marathon-to-LEESON	151
Dimensions	310
Catalog Number Index	165

GEARMOTORS

Sub-FHP Gearmotor Cross Reference	Page 163
-----------------------------------	----------

TERMS AND CONDITIONS

	Page 319
--	----------

WARNINGS AND CAUTIONS

	Page 321
--	----------



AC MOTORS

PAGES 8-80



DC MOTORS

PAGES 81-89



GEARMOTORS

PAGES 90-109



AC & DC ADJUSTABLE SPEED DRIVES

PAGES 110-121



MOTOR ACCESSORIES

PAGES 122-125



MOTOR MODIFICATIONS

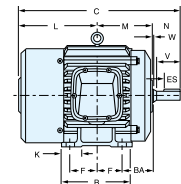
PAGES 126-137



GEARING OVERVIEW

(SEE CATALOG 8050 FOR GEARING PRODUCT INFO)

PAGES 138-141



GENERAL INFORMATION

PAGES 144-174 & 307-322



LINCOLN MOTORS

PAGES 177-306



THOUSANDS OF STOCK POWER TRANSMISSION SOLUTIONS

LEESON'S off-the-shelf product now includes the Lincoln Electric line of Industrial AC motors.

Together, we now offer over 6,000 stock motors, gearmotors, gear reducers and drives. All are built for industrial use and have numerous features making them easy to install in replacement and new applications.

MOTORS OF ALL TYPES

Stock motors include both AC and DC designs, from sub-fractional horsepower through hundreds of horsepower for general-purpose use and specific duty applications. All popular enclosures and configurations are available, along with some not-so-easy-to find items. Standard at no extra cost on all stock NEMA three phase motors (1 HP and larger) is LEESON's Inverter-Rated Insulation System (IRIS™), which provides an extra margin of protection from inverter-induced voltage spikes. Lincoln Electric Motors offers their "Ultimate E" inverter-rated insulation system on their 1HP and larger frame three phase motors.

GEARING PRODUCTS

The LEESON product array includes both fractional and integral horsepower gear reducers. The popular IRONMAN® and Grove Gear Flexaline worm gear lines, in both solid and hollow output shaft designs, are versatile workhorses. Our Grove Gear Stainless Steel line offers single worm, double worm and helical worm designs with ratios ranging from 5:1 through 3600:1 and center distances from 1.33" to 3.250". The O.E. Series has a compact, narrow profile designed to fit tight space allocations in new or existing equipment. Plus our heavy duty aluminum Electra-Gear speed reducers withstand the rigors of severe washdown and harsh environments. We also offer our Bravo® line of Aluminum Gear Reducers, a vent-free and oil-free alternative for machine designers.

The LeCENTRIC in-line reducer provide bolt-in interchangeability with leading brands and being aluminum they are a lower cost alternative to cast iron. The Ironman High Efficiency line is an industry leader in product offering which includes Helical Inline, Helical Bevel and Helical Worm reducer and gearmotor designs.

ADJUSTABLE SPEED DRIVES

Speedmaster drives are a perfect fit with many types of the LEESON and Lincoln three-phase motors. Our Micro Series line of inverters is now available through 60 HP at 230 Volts and through 150 HP at 460 Volts. They also offer easy-to-use- "plain English" programming with built in PID software, making them a closed-loop drive, if needed. For applications through 25 HP, choose the 'SM-Plus Inverter, with its minuscule footprint, "big drive" features and wide range of accessories. If all you require is a "Shaft-turner" for your application needs, choose the SM-Series drive, having the same small footprint and many of the features of our SM-Plus Series, at a great price. We also offer a Sensorless Vector inverter, which offers 200% starting torque and when run with a vector duty motor, full output torque down to 1Hz.

We also offer a competitive line of SCR, PWM, Regenerative and Low Voltage DC Controls.

LEESON and Lincoln Electric motor companies are subsidiaries of Regal-Beloit Corporation, a worldwide manufacturer of mechanical and electrical motion control products. LEESON and Lincoln sales offices and warehouses are located throughout North America.



Inverter-Duty Motors For Every Need!



General Purpose, Inverter-Rated EPACT Motors 1 to 200 HP Pages 6-12

All LEESON stock NEMA three-phase motors, 1 HP and larger, feature the IRIS™ insulation system, which provides superior protection against voltage spikes induced by variable frequency drives. Many ratings have been designated as EPACT motors, meaning that they have efficiencies that meet or exceed EPACT standards. Suitable for use with an inverter at speed ranges of 10:1 for variable torque and 10:1 for constant torque. With blower kit, and proper inverter setup, suitable for use up to 20:1 variable torque and 20:1 constant torque.



WATTSaver® Premium Efficiency Motors 1/3 to 200 HP Pages 13-17

Premium efficiency motors with the IRIS™ insulation system for extra spike protection. These motors are designed for superior performance in PWM and vector-drive service. Efficiencies meet or exceed most utility rebate programs and have been independently verified to IEEE 112B standards. Meets requirements for NEMA MG-1, part 30. Suitable for use with an inverter up to 10:1 variable torque and 10:1 constant torque. With blower kit, and proper inverter setup, suitable for use up to 20:1 variable torque and 10:1 constant torque. Also suitable for vector-duty (full rated torque at zero speed) with blower and encoder kits.



SPEEDMASTER® Extreme-Duty Inverter Motors 1 to 350 HP Page 19

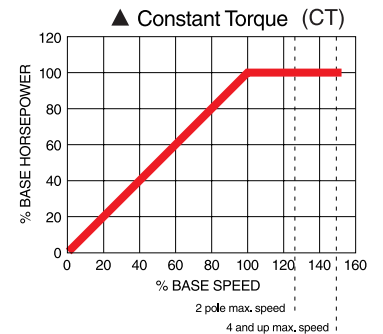
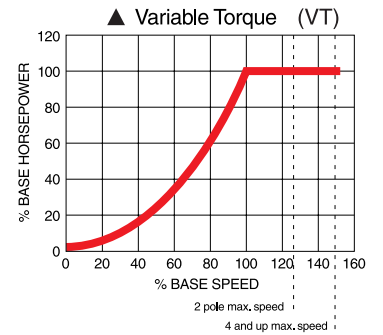
Specially designed for inverter applications, these motors have 2000:1 constant torque speed range with blower cooling and vector-input IRIS™ voltage spike protection. Cast iron frame, endplates and fan cover. Provisions for encoder mounting. Meets requirements for NEMA MG-1, part 30 and 31. For inverter-duty use up to 2000:1 variable torque and constant torque. Vector duty with the addition of an encoder kit.

Inverter-Duty Motor Speed Ranges*

Construction Type	NEMA Frame	Safe Hertz Range			Safe Hertz Range With Forced Ventilation Mod
		CT▲	VT▲	CHP**	
General Purpose Inverter-Rated EPACT Motors					
Steel Frame, TEFC	56-210T	6-60 Hz	6-60 Hz	to 90 Hz	Full torque at low speed with vector control
Steel Frame, ODP	56-210T	6-60 Hz	20-60 Hz	to 90 Hz	Full torque at low speed with vector control
Cast Iron Frame, TEFC	180-440T	6-60 Hz	6-60 Hz	to 90 Hz	Full torque at low speed with vector control
Cast Iron Frame, ODP	180-440T	6-60 Hz	6-60 Hz	to 90 Hz	Full torque at low speed with vector control
WATTSaver® Premium Efficiency Motors					
Steel Frame	56-180T	6-60 Hz	6-60 Hz	to 90 Hz	Full torque at low speed with vector control
Cast Iron Frame, TEFC	180-280T	6-60 Hz	6-60 Hz	to 90 Hz	0-90 with full torque at zero speed with vector control
	320-440T	6-60 Hz	6-60 Hz	to 90 Hz	0-90 with full torque at zero speed with vector control
Cast Iron Frame, ODP	180-280T	6-60 Hz	6-60 Hz	to 90 Hz	Full torque at low speed with vector control
	320-440T	6-60 Hz	6-60 Hz	to 90 Hz	Full torque at low speed with vector control
SPEEDMASTER® Extreme-Duty Inverter Motors					
TENV	143TC-256TC	0-60 Hz	0-60 Hz	0-120 Hz	Full torque at low speed with vector control
TEBC	284T-449T	0-60 Hz	0-60 Hz	0-90 Hz	Full torque at low speed with vector control

* General information is given because each application is unique with its own unique set of application characteristics. Successful motor/drive applications require proper setup and installation (in accordance with all applicable electrical codes and regulations) by personnel familiar with the installation, setup, and operation of adjustable speed drives. Proper adjustment of the adjustable speed drive, in accordance with the Installation and Operation manual that comes with it, must be performed to ensure that the motor/drive setup is complete and appropriate for the application. Failure to perform proper setup can lead to substandard performance and/or failure of system components.

** For constant Horsepower operation, the maximum speed for 2 pole (3600 RPM) motors is 75Hz, not 90Hz. Contact LEESON for application analysis if 90Hz is required.





CUSTOMIZED AND MODIFIED PRODUCTS

CUSTOM MOTORS, GEARBOXES & GEARMOTORS

LEESON is a leading designer and manufacturer of application-specific AC and DC motors and gearmotors in sub-fractional, fractional and integral horsepower sizes. We offer a database of over 30,000 custom designs, experienced application and design engineering teams, and the unique collaborative environment of the LEESON Design Center to ensure the best, most cost-effective custom motor solution.

CUSTOM MULTI-SPEED & LOW-SPEED MOTORS

LEESON's PDQ Modular Production Program utilizes specially designed and standard components to make almost any imaginable NEMA frame multi-speed or low-speed motor available when you need it. We pride ourselves on fast turnaround times on highly customized motors.

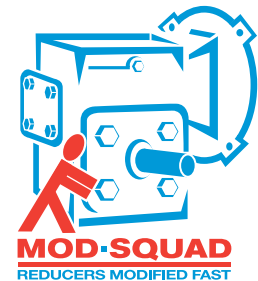
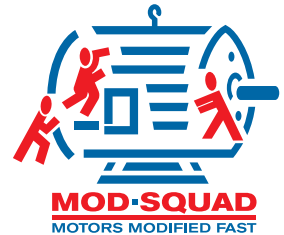
Custom motors include two, three and four-speed motors and speed ranges of 900, 720, 600, 450 and 300 RPMs. We also specialize in non-standard shaft designs.

For quotations, availability and application assistance, phone toll-free to our Canadian manufacturing facility at 1-800-463-1797.

MOD-SQUAD PROGRAM

Quick-turnaround stock motor modifications are available through the LEESON Motor Mod-Squad. Adding cords or switches, changing mountings, extending leads and incorporating various severe-duty features are among the many standard modifications offered.

Modified stock gear reducers are offered on a quick-ship basis through the LEESON Gear Mod-Squad. A wide array of mountings, shaft extensions and other changes are available for 600 Series IRONMAN® reducers. In addition, modified stock Gear+Motor™ packages can be created, drawing on LEESON's extensive range of NEMA C face motors.



For complete stock products information, visit our online technical database at www.leeson.com/findaproduct.

OFFERINGS WITH CUSTOMERS IN MIND

LEESON.COM WEBSITE

LEESON's website is a user friendly site that offers the features listed below. Our customers also have access to LEeBIZ™, which is our e-business center and provides LEESON Distributor Partners with 24 hour, seven days a week access to stock availability, account status and product features.



1 Products

- View our off-the-shelf product offerings of over 6,000 items which include: AC and DC motors, sub-fhp motors and gearmotors, AC and DC adjustable speed drives, NEMA Gear+Motors™, and right-angle gear reducers.

2 How To Buy

- This field shows information on how to locate LEESON's nearest sales offices and warehouses as well as our authorized distributors.

3 Service & Support

- Locate our authorized service centers by state or country, or use our "search by zip code" field which will locate our nearest authorized service center to your location within a 100-mile radius. This section also lists our product warranty policy as well as outline some simple motor troubleshooting guides.

4 Literature

- View product sales bulletins and catalogs or download in Adobe Acrobat PDF format.
- View or download product manuals which include our AC and DC controls, gearboxes and brake kits, as well as technical information, including our motor basic training manual and product troubleshooting guides.
- Request literature field, where you can request our product literature to be mailed to you.

5 Contact Us

- Locations of our corporate offices in the USA, Canada, Europe and China.
- Ask LEESON questions on our product offerings and/or services.
- Comment to LEESON on our web page or offer suggestions on how we can improve LEESON.COM.

SPECIAL MOTOR ACTION RESPONSE TEAM



Immediate solutions for unique applications. Need a custom motor in a matter of days? Hours? Let our SMARTeam™ work with your engineers to deliver a solution.

The SMARTeam™ is our Special Motor Action Response Team, a group of experienced LEESON professionals including design, process and quality engineers along with sales application specialists.

Their mission is to collectively work with you to define and deliver the best motor, drive and/or gearbox option that will cost-effectively address your every need.

To find out more, simply call your local LEESON sales office and turn your idea into reality.

DRIP-PROOF

HP	RPM 60 Hz	NEMA Frame	Catalog Number	List Price	Disc. Sym.	App. Wgt. (lbs.)	Voltage	Over- load Prot.	F.L. Amps 230V	"C" Dim. (Inches)
1½	3450	56	110361	\$430	A	29	115/208-230	None	8.2	10.84
	3450	56	110110	437	A	28	115/208-230	Man.	8.2	10.84
	3450	56	113631 ☆	443	A	36	115/208-230	Man.	6.2	11.34
	3450	143T	120107	430	B	32	115/208-230	None	8.2	11.28
	1725	56H	110005 ☆□	524	A	37	115/208-230	None	8.6	11.84
	1725	56H	110006 ☆□	570	A	38	115/208-230	Man.	8.6	11.84
	1725	56H	113266 ☆□	591	A	42	115/208-230	Man.	6.7	12.38
	1725
	1725	145T	120042 ☆	497	B	38	115/208-230	None	8.6	12.28
	1725	145T	120004 ☆	631	B	40	115/208-230	Man.	8.6	12.28
1725	145T	120001 ☆	631	B	40	115/208-230	Auto.	8.6	12.28	
1140	
2	3450	56	110363	570	A	37	115/208-230	None	10.0	11.84
	3450	56	110362	594	A	38	115/208-230	Man.	10.0	12.34
	3450	56	113632 ☆	598	A	38	115/208-230	Man.	8.6	11.34
	3450	145T	120106	613	B	40	115/208-230	None	10.0	12.28
	3450
	1725	56H	116704 ☆□	631	A	45	115/208-203	Man.	8.6	12.88
	1725	145T	120067 ☆	592	B	42	115/230	None	10.5	13.28
	1725	145T	120879 ☆	663	A	51	115/208-230	Man.	8.6	13.31
	1725	182T	131515	600	B	56	115/208-230	None	12.4	13.19
	1725	182T	131536	643	B	63	115/208-230	Man.	12.4	13.19
1725	182T	131535	639	B	63	115/208-230	Auto.	12.4	13.19	
1140	
3	3450	56H	116706 ☆□	436	A	39	230	Man.	15.0	12.38
	3450
	3450	182T	131636	691	B	74	115/208-230	None	14.0	14.18
	1725	184T	131534	650	B	69	115/230	None	16.9	14.19
	1725	184T	131561	769	B	76	115/230	Man.	16.9	14.19
	1725	184T	131851 ☆	768	B	72	208-230	Man.	13.7	15.22
	1725	184T	131530	769	B	69	115/230	Auto.	16.9	14.19
	1725	184T	131537 ☆	780	B	83	208-230	None	21.0	14.69
	1725	184T	131560 ☆	780	B	82	208	None	23.2	14.69
	1725	184T	131622 ☆	933	B	82	208-230	Man.	21.0	14.69
7½	3450	184T	132044 ☆	752	B	110	208-230	Tstat	31.0	16.69
	3450	213T	140680 ☆	1270	B	112	208-230	None	29.5	16.55
	1740	215T	140155 ☆	1108	B	113	230	None	36.0	17.26
10	3450	215T	140681 ☆	1605	B	135	208-230	None	37.0	18.05
	1740	215TZ	140311 ☆✓	1620	B	140	230	None	43.0	19.76

- Combination 56H base motors have mounting holes for NEMA 56 and NEMA 143-5T and a standard NEMA 56 shaft.
- ☆ Capacitor start/capacitor run design for reduced amperage, others are capacitor start/induction run.
- ✓ Motor with standard diameter shaft, 1.0" longer than standard.
- † Class F insulated.
- ✱ These totally enclosed single phase motors have 1.15 Service Factors.

All 180 and 210 frame Rolled Steel motors have Class F Insulation.

TOTALLY ENCLOSED FAN COOLED (TEFC)

NEMA Frame	Catalog Number	List Price	Disc. Sym.	App. Wgt. (lbs.)	Voltage	Over- load Prot.	F.L. Amps 230V	"C" Dim. (Inches)
56	110094	\$489	A	31.5	115/208-230	None	8.5	12.31
56	110109	573	A	31	115/208-230	Man.	8.5	12.31
...
143T	120130	489	B	36	115/208-230	None	8.5	13.25
56H	110253 ☆□	516	A	38	115/208-230	None	8.6	12.81
56H	113333 ☆□	592	A	38	115/208-230	Man.	8.6	12.81
...
56H	110019 ☆□	642	A	38	115/208-230	Auto.	8.6	12.81
145T	120026 ☆	516	B	44	115/208-230	None	8.6	13.25
145T	120009 ☆	592	B	42	115/208-230	Man.	8.6	13.25
...
184T	131526	1332	B	69	115/208-230	None	11.0	15.46
56H	110352 ☆□†	638	A	41	115/208-230	None	10.0	13.31
56H	110402 ☆□†	669	A	41	115/208-230	Man.	10.0	13.31
...
145T	120036 ☆†	642	B	42	115/208-230	None	10.0	13.75
145T	120395 ☆†	676	B	44	115/208-230	Man.	10.0	13.75
...
145T	121507 ☆	794	B	48	115/208-230	None	9.2	13.75
145T	120867 ☆	842	B	48	115/208-230	Man.	9.2	13.75
182T	131509	724	B	65	115/208-230	None	12.4	14.46
...
215T	140747 ☆	1976	B	118	115/208-230	None	11.2	18.71
56H	116705 ☆□	697	A	53	208-230	Man.	14.0	13.81
145T	120341 ☆	693	B	46	230	None	13.0	14.25
182T	131637	747	B	78	115/208-230	None	13.4	14.96
184T	131533	854	B	83	115/230	None	16.8	16.46
184T	131855 ☆	922	B	88	230	Man.	13.6	14.96
...
...
184T	131549 ☆	1033	B	93	230	None	19.8	16.96
184T	132042 ☆	1152	B	103	230	Man.	19.8	16.97
...
184T	131538 ☆	1039	B	95	230	None	23.0	17.46
...
184T	131856 ☆	1072	B	95	230	Man.	21.0	15.96
...
213T	140684 ☆	1328	B	120	208-230	None	32.0	18.34
215T	140120 ☆	1347	B	169	230	None	33.6	20.21
215T	140685 ☆	1629	B	138	208-230	None	41.5	19.84
215T	140581 ☆	1547	B	202	230	None	40.0	20.71

QUICK REFERENCE

SINGLE PHASE AGRICULTURAL MOTORS	Page 68
SINGLE PHASE C FACE MOTORS	22
SINGLE PHASE WASHGUARD MOTORS	30, 35 & 37

For reliable performance in heavy-duty industrial applications, nothing beats the LEESON Heavyweights. With their cast iron construction and 1.15 Service Factor, they are ideal for "tough to handle" applications.

But that's only part of the story. LEESON 150 and 170-series cast iron motors are extremely versatile and can be field converted in minutes to a number of different configurations, including:

- Severe Duty TEFC (using cast iron fan guard kit)
- F2 mounting (by reassembly)
- C face with rigid base (from stock or using C face kit)
- D flange with base (using D flange kit)

CSA certified under report number LR62104

CSA Energy Efficiency Verification report number EEV78720-1

UL recognized insulation system, file number E55555 and UL recognized construction, file number E57948 on all cast iron motors produced in June 2003 and later.

LEESON's Inverter Rated Insulation System (IRIS™)

provides superior motor protection against voltage spikes induced by variable frequency drives. This *total insulation system* protects better than spike-resistant magnet wire alone. Specially formed phase insulation, cushioned and sleeved connections (from the leads all the way into the turns), and deep-penetrating, non-hygroscopic, high temperature varnish are just a few features contributing to the extra protection. All this plus second generation, spike-resistant magnet wire. The IRIS™ *total insulation system* is standard at no extra cost in all LEESON stock NEMA three-phase motors, 1 HP and larger.



Stainless steel "full fact" nameplate with information on motor efficiency and power factor. Includes wiring diagram, bearing sizes, and motor weight.

Heavy-duty cast iron frame, endbells and conduit box.

High torques for hard-to-start loads. Torques exceed NEMA performance standards. **Energy performance verified** by LEESON's NVLAP-Certified testing laboratory.

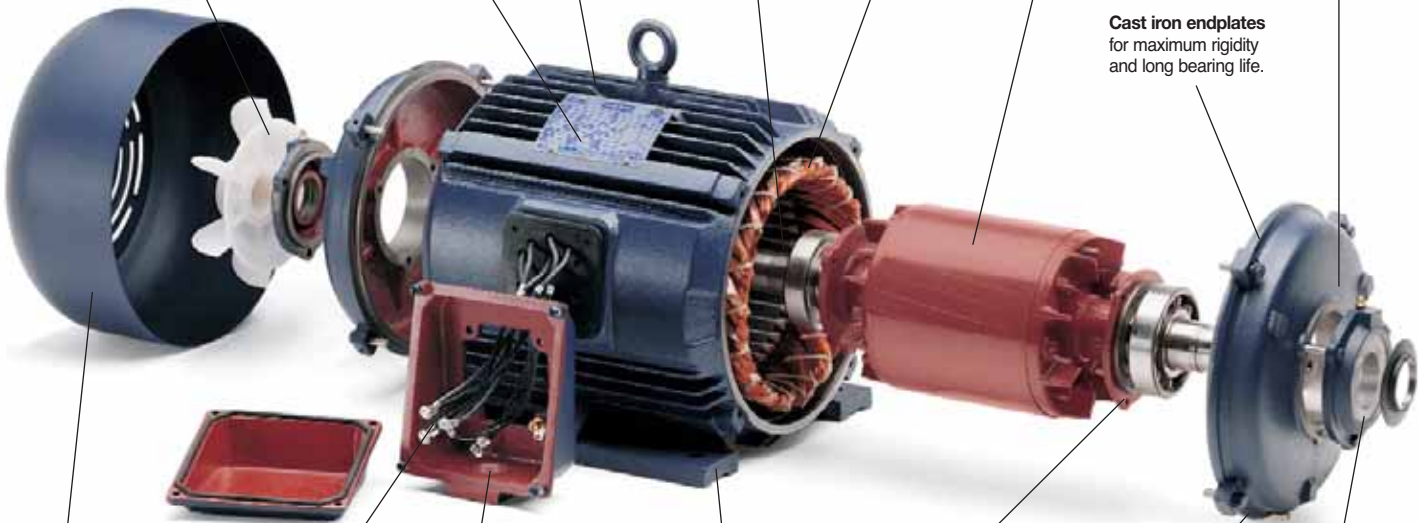
Lubrication fittings on each end of motor (254T frame and larger). New Exxon POLYREX® EM lubricant for extended bearing life. Oversized bearings. Slotted-head pipe plug reliefs. Bearing caps protect against entry of grease into the motor.

Non-sparking fan. Small size reduces noise and enhances efficiency. Fan keyed to shaft.

100% copper-wound Inverter Rated Insulation System is double-dipped and baked. Stator press-fitted and pinned to housing. **1.15 Service Factor** provides extra margin of power. Class F insulation system with Class B or lower temperature rise. Many suitable for 50 Hz operation at 1.0 service factor. Contact factory for details.

Dynamically balanced rotor assembly is keyed to shaft.

Cast iron endplates for maximum rigidity and long bearing life.



Steel fan cover for optimum strength. Cast iron cover available for severe service.

Internal caps on shaft-end and lead-end bearings 254T frame and larger. 182T through 215T frame motors with C-faces have locked bearing on the shaft end only. Motors are suitable for all mounting positions.

Neoprene shaft slinger protects bearings by repelling moisture and other contaminants. Internal protection against rust and corrosion.

Oversized cast iron conduit box is gasketed and may be rotated in 90° increments. NPT threaded entrance.

One-way, corrosion resistant condensate drains. (TEFC models) release condensation and moisture.

12-Lead Delta windings (254T to 405T frame and larger) for across-the-line or wye delta starts. (182T & 215T frame motors are dual voltage with nine leads. Motors above 405T frame are single voltage with six leads. 575V motors have six leads, except 213T-215T which have three leads) Permanently marked leads with lugs for easy connection. Normally-closed thermostat standard on WATTSaver® designs.

Cast iron mounting feet. Precision-machined for accurate alignment. Dual mounting provisions (six mounting holes) on 184T, 215T, 256T, 286T, 326T, 365T, 405T, 445T, 447T and 449T frames.



WATTSAYER
Inverter-Duty Premium Efficiency Motor

The WATTSAYER® line of premium efficiency motors is now *inverter capable*. LEESON's unique IRIS™ voltage-spike-resistant insulation system is standard at no extra cost. WATTSAYER® motors carry a three-year warranty in general purpose and inverter fed applications. These motors meet or exceed most utility rebate programs and the EPACT federally mandated efficiency levels. The efficiency ratings

have been verified to IEEE 112B test standards by LEESON's NVLAP-Certified lab. Cast iron 170 series motors can be field modified for forced ventilation service to extend the inverter-fed operating range and an encoder package is stocked for closed-loop vector inverter systems. These motors can be converted to IEEE841 compliant using the Custom PDQ Program. Contact LEESON.

Rugged cast iron construction on three phase, 3-100 HP models. These motors share features with normal efficiency 150 Series motors detailed on page 14. Add an optional cast iron fan guard for severe duty applications.

Efficiencies meet or exceed NEMA Premium on all WATTSAYER® motors except as noted.

Both 3/4 and full load efficiencies are listed on the stainless steel nameplate for your convenience in calculating realistic energy savings. Unique serial number identifies each motor and is stamped clearly on the metal nameplate.

Independently verified efficiencies by the Canadian Standards Association, an internationally recognized testing laboratory. CSA Report Number EEV78720-1.

Premium efficiency motors finished with primer and chemical resistant green acrylic matte enamel.

Modification to meet IEEE 841 available through Custom PDQ. (See page 64). Includes addition of watertight Inpro shaft seals, two-part epoxy finish, and plated hardware.

One-way, corrosion resistant condensate drains. (TEFC models) release condensation and moisture.

Second-generation, high temperature, spike-resistant magnet wire for extended motor life. Stator impregnated with extra-heavy varnish system. 1.15 Service Factor. All WATTSAYER® motors have Class F insulation with a Class B rise.

Connections include red leads for NC thermostats attached to windings for over-temperature protection.

Meets or exceeds the 1997 mandated efficiency standards of the Energy Policy Act of 1992. Also meets or exceeds efficiency requirements of most electric utility rebate programs.

Three phase models suitable for inverter duty, as well as both 50 Hz and 60 Hz operation.



LEESON's Inverter Rated Insulation System (IRIS™) provides superior protection against voltage spikes induced by variable frequency drives. This *total insulation system* protects better than spike-resistant magnet wire alone. Specially formed phase insulation, cushioned and sleeved connections (from the leads all the way into the turns), and deep-penetrating, non-

hygroscopic, high temperature varnish are just a few features contributing to extra protection. All this plus second generation spike-resistant magnet wire. The IRIS™ *total insulation system* is standard at no extra cost in all LEESON stock NEMA three-phase motors, 1 HP and larger.

UL and CSA Recognition

CSA certified under report number LR62104
 CSA Energy Efficiency Verification report number EEV78720-1
 UL recognized insulation system, file number E55555
 UL recognized construction, file number E57948



THREE PHASE • DRIP-PROOF • RIGID BASE
208-230/460V • CONTINUED

HP	RPM 60 Hz	NEMA Frame	Catalog Number	List Price	Disc. Sym.	App. Wgt. (lbs.)	Meets NEMA Premium	F.L. Amps 230V	3/4 Load Eff.	% F.L. Eff.	"C" Dim. (Inches)
50	3550	324TS	170040	\$3881	C	548	✓	112.0	95.0	94.1	24.53
	1780	326T	170021	3593	C	614	✓	118.0	94.5	94.5	27.52
	1190	365T	170148	5569	C	918	✓	128.0	94.7	94.5	31.18
60	3550	326TS	170042	4641	C	590	✓	136.0	95.0	94.1	26.02
	1780	364T	170025	3955	C	716	✓	139.0	95.0	95.4	28.01
	1190	404T	170149	6164	C	1031	✓	159.0	94.0	94.5	32.76
75	3570	364TS	170044	6132	C	720	✓	176.0	94.5	93.6	26.89
	1780	365T	170029	4877	C	766	✓	172.0	95.4	95.4	31.18
	1190	405T	170150	7307	C	1095	✓	196.0	94.0	94.5	34.25
100	3570	365TS	170151	6933	C	775	✓	234.0	94.5	94.5	29.06
	1780	404T	170152	6673	C	1141	✓	225.0	95.4	95.4	32.76
	1190	444T	170255*	8629	C	1975	✓	118.0♦	95.4	95.4	40.00
125	3570	404TS	170154	8013	C	1015	✓	284.0	94.5	94.5	29.76
	1780	405T	170155	8445	C	1236	✓	280.0	95.4	95.4	34.25
	1190	445T	170259*	11217	C	2022	✓	148.0♦	95.8	95.8	40.00
150	3570	405TS	171449*	9886	C	1085	✓	169.0♦	94.5	94.5	31.26
	1780	444T	171522*	9972	C	2000	✓	164.0♦	95.8	95.8	40.00
	1190	445T	171576*	12034	C	2040	✓	206.0♦	95.8	95.8	40.00
200	3570	444TS	171573*	11204	C	1765	✓	216.0♦	95.4	95.4	36.25
	1780	445T	171523*	11500	C	2037	✓	220.0♦	95.8	95.8	40.00
	1190	447T	171577*	15819	C	2820	✓	239.0♦	95.8	96.2	43.12

All WATTS AVER® motors have normally closed thermostats for over-temperature alert.
BLOWER FAN KITS



Used for extended low speed operation of inverter-fed motors, these kits can be field-installed to provide constant velocity cooling. The 115 volt single phase, fan-drive motor is totally enclosed. The blower is mounted after removing the standard fan and fan cover. No shaft or other modifications to the motor are required.

FOR CAST IRON 150 & 170 SERIES MOTORS

Blower Motor Voltage	Phase	For NEMA Frame	Catalog Number	List Price	Disc. Sym.	Blower CFM	App. Wgt. (lbs.)
115	1	180T	175674	\$687	C	260	10
115	1	210T	175675	717	C	260	11
115	1	250T	175676	771	C	260	17
115	1	280T	175677	927	C	500	24
115	1	320T	175678	987	C	500	28
230/460	3	360T	175879	2051	C	500	35
230/460	3	400T	175880	2275	C	500	45
230/460	3	440T	175558♣	2603	C	500	55

♣ For 444T/445T motors

FOR ROLLED STEEL TEFC MOTORS

Blower Motor Voltage	Phase	For NEMA Frame	Catalog Number	List Price	Disc. Sym.	Blower CFM	App. Wgt. (lbs.)
115	1	56-145T	175876	\$613	C	115	4
115	1	182-4T	175895	687	C	115	4
115	1	213-5T	175896	717	C	235	5

SHADED FRAME INDICATES CAST IRON CONSTRUCTION

All three phase motors, 1 HP and above, are inverter rated. Refer to page 5 for speed ranges.

THREE PHASE • TEFC • RIGID BASE
208-230/460V • CONTINUED

HP	RPM 60 Hz	NEMA Frame	Catalog Number	List Price	Disc. Sym.	App. Wgt. (lbs.)	Meets NEMA Premium	F.L. Amps 230V	3/4 Load Eff.	% F.L. Eff.	"C" Dim. (Inches)
40	3550	324TS	170039	\$4070	C	504	✓	90.0	93.6	93.6	28.03
	1780	324T	170019	4040	C	528	✓	92.0	93.6	94.1	29.53
	1180	364T	170096	6712	C	636	✓	102.0	94.1	94.1	32.64
50	3550	326TS	170041	4943	C	554	✓	111.0	95.0	94.5	29.53
	1780	326T	170023	4879	C	587	✓	117.0	94.5	94.5	31.02
	1180	365T	170097	8055	C	672	✓	124.0	94.1	94.1	33.62
60	3570	364TS	170043	7331	C	735	✓	136.0	93.6	94.1	30.51
	1780	364T	170027	6940	C	666	✓	137.0	95.0	95.4	32.64
	1190	404T	170098	9501	C	870	✓	142.0	94.5	94.5	36.42
75	3570	365TS	170045	8980	C	780	✓	169.0	94.5	94.5	31.50
	1780	365T	170031	8661	C	733	✓	171.0	95.8	95.8	33.62
	1190	405T	170099	10015	C	975	✓	176.0	95.0	95.0	37.91
100	3570	405TS	170160	11057	C	955	✓	218.0	94.5	95.0	34.92
	1780	405T	170087	10770	C	1070	✓	225.0	95.4	95.4	37.91
	1190	444T	170256*	14257	C	1457	✓	121.0♦	95.0	95.0	42.87
125	1790	444T	170369*	14299	C	1950	✓	137.5♦	95.4	95.4	42.87
	1190	445T	170260*	16108	C	1596	✓	155.0♦	95.4	95.4	44.88
	3570	444TS	171580*	13202	C	1316	✓	132.0	94.5	95.0	39.10
150	1790	445T	170371*	16360	C	1627	✓	163.0♦	95.8	95.8	44.88
	1190	447T	171315*	18164	C	2230	✓	185.5♦	95.8	95.8	48.00
	3570	445TS	171578*	16295	C	1445	✓	161.0	94.5	95.0	44.88
200	1790	447T	170352*	18739	C	2227	✓	216.0♦	96.2	96.2	48.00
	1190	449T	171316*	23791	C	2542	✓	241.5♦	95.8	95.8	52.80
	3570	447TS	171579*	18767	C	1977	✓	216.5	95.0	95.4	48.00

All WATTS AVER® motors have normally closed thermostats for over-temperature alert.
* 460V only
♦ Full Load Amps 460V

ENCODER KITS • 150 & 170 SERIES



These kits include the parts and encoder for field assembly of a slim-line, through-shaft encoder to LEESON standard TEFC Motors. Designed to slip over the motor's fan end shaft. Blower kit sold separately.

Output is 1024 pulses per revolution, quadrature, 5 to 28 VDC line driver output. Short circuit protection is standard. Inputs are over voltage and reverse voltage protected. Electrical noise immunity exceeds international standards. Encoders are isolated from shaft currents using hard anodized sleeves and non metallic anti-rotation hardware. Designed for long life in industrial environments using an all metal, shock resistant code disk. The encoder is protected by the motor's fan cover after mounting. Using a blower fan kit is suggested for proper motor cooling.

FOR CAST IRON 150 & 170 SERIES TEFC MOTORS

For NEMA Frame	Encoder Kit Catalog No.	List Price	Disc. Sym.
182-4T	175684	\$1068	C
213-5T	175685	1068	C
254-6T	175686	1726	C
284-6T	175687	1726	C
320T	175641	1760	C
360T	175642	1760	C
400T	175643	1760	C
440T (2 pole)	175644	1760	C
440T (4/6 pole)	175645	1760	C

FOR ROLLED STEEL TEFC MOTORS

For NEMA Frame	Encoder Kit Catalog Number	List Price	Disc. Sym.
56/145T	175960	\$862	A
182-4T	175897	1249	B
213-5T	175898	1249	B

WATTSAYER® PREMIUM EFFICIENCY MOTORS

GENERAL PURPOSE • SINGLE PHASE • FHP THREE PHASE



WATTSAYER®

WATTSAYER® PREMIUM EFFICIENCY HIGH TORQUE

WATTSAYER® Premium Efficiency Motors provide enhanced operating efficiencies, cooler operating temperatures, and reduced running amperage. See page 13 for complete list of features.



SINGLE PHASE • TEFC • RIGID BASE

HP	RPM 60 Hz	NEMA Frame	Catalog Number	List Price	Disc. Sym.	App. Wgt. (lbs.)	Voltage	Over- load Prot.	F.L. Amps 230V	% F.L. Eff.	"C" Dim. (Inches)
1/3	1725	56	113765☆	\$392	A	27	115/208-230	Man.	1.7	76.0	10.81
1/2	1725	56	113766☆	436	A	30	115/208-230	Man.	2.5	78.0	11.31
3/4	1725	56	113767☆	514	A	35	115/208-230	Man.	3.2	82.0	11.81
1	1725	56	113768☆	590	A	37	115/208-230	Man.	4.2	83.0	12.31
1 1/2	1725	56H	113769☆□	670	A	43	115/208-230	Man.	6.5	84.0	13.31
2	1725	56HZ	113770☆■	922	A	49	230	Man.	8.2	85.0	14.25

WATTSAYER® PREMIUM EFFICIENCY FAN MOTORS

Premium efficiency motors for agricultural and industrial belted-fan applications.

Features include quiet bearings, resilient cradle base, and quiet flow-through ventilation. Class "F" insulated, with spade connectors on terminal board for quick and easy installation.



SINGLE PHASE • DRIP-PROOF • RESILIENT BASE

HP	RPM 60 Hz	NEMA Frame	Catalog Number	List Price	Disc. Sym.	App. Wgt. (lbs.)	Voltage	Over- load Prot.	F.L. Amps 115V	% F.L. Eff.	"C" Dim. (Inches)
1/4	1725	48	101602	\$295	A	19	115	Auto.	2.5	71.0	10.39
1/3	1725	48	101405	349	A	19	115	Auto.	3.2	75.0	10.39
		56HZ	113771②D	466	A	30	115	Auto.	3.0	73.0	11.44
	1725/ 1140	56HZ	113970②D	428	A	30	115	Auto.	3.2	73.0	11.94
	1725/ 850	56HZ	113674②D	466	A	30	115	Auto.	3.1	70.0	11.44
	1725/ 850	56HZ	113969②D	428	A	30	115	Auto.	3.2	73.0	11.94
1/2	1725	48	101585	398	A	25	115	Auto.	4.6	76.0	11.39

- ② These combination 56H base motors have mounting holes for 56 and 143-5T, and a 1/2" diameter shaft with flat 1 1/2" long.
- ☆ Capacitor start/capacitor run design for reduced amperage, others are capacitor start/induction run.
- Combination 56 H base motors have mounting holes for NEMA 56 and NEMA 143-5T and a standard NEMA 56 shaft.
- Combination 56 HZ base has mounting holes for NEMA 56 and 143-5T and a standard NEMA 145T frame shaft of 7/8" diameter.
- D Motors are to be discontinued once the inventory is depleted.

FHP MOTORS FOR AC DRIVES

- Compact 48-frame design with keyed shaft
- Class F insulation
- 20:1 Constant torque rated
- Inverter IRIS™ insulation system
- 1/2" diameter keyed shaft with 48-C Face
- 115/230V 3-phase design optimized for FHP drives



THREE PHASE • TEFC • C FACE WITH BASE

HP	RPM 60 Hz	NEMA Frame	Catalog Number	List Price	Disc. Sym.	App. Wgt. (lbs.)	F.L. Amps 230V	% F.L. Eff.	"C" Dim. (Inches)
1/6	1725	48CZ	102792	\$252	A	25	1.25	56.0	8.94
1/4	1725	48CZ	102793	286	A	26	1.4	58.0	8.94
1/3	1725	48CZ	102794	313	A	28	1.6	64.3	9.19
1/2	1725	48CZ	102795	351	A	30	1.8	77.0	10.19

All three phase motors, 1 HP and above, are inverter rated. Refer to page 5 for speed ranges.



OTHER GENERAL PURPOSE MOTORS

RIGID BASE • SINGLE AND THREE PHASE



TENV MOTORS

General purpose, totally enclosed non-vent motors with rigid base.

SINGLE PHASE • RIGID BASE

HP	RPM 60 Hz	NEMA Frame	Catalog Number	List Price	Disc. Sym.	App. Wgt. (lbs.)	Voltage	Over- load Prot.	F.L. Amps 230V	"C" Dim. (Inches)
1/6	3450	42	092011	\$255	A	16	115/208-230	None	1.0	9.56
	1725	42	092012	270	A	21	115/208-230	None	1.8	10.56
1/4	3450	42	092013	274	A	21	115/208-230	None	1.7	10.56
	1725	48	100361	262	A	17	115/208-230	None	2.2	9.43
	1725	S56	102914 ♣	265	A	24	115/208-230	None	2.3	9.81
	1725	S56	102915 ♣	299	A	23	115/208-230	Auto.	2.3	9.81
1/3	3450	48	100362	253	A	24	115/208-230	None	2.0	9.93
	1725	S56	102912 ♣	291	A	25	115/208-230	None	2.6	10.81
	1725	S56	102913 ♣	333	A	25	115/208-230	Man.	2.6	10.31
	1725	S56	102911 ♣	329	A	24	115/208-230	Auto.	2.6	10.31
1/2	3450	48	100366	289	A	27	115/208-230	None	2.9	10.43

THREE PHASE • RIGID BASE

HP	RPM 60 Hz	NEMA Frame	Catalog Number	List Price	Disc. Sym.	App. Wgt. (lbs.)	Voltage	F.L. Amps 230V	% F.L. Eff.	"C" Dim. (Inches)
1/6	3450	42	092014	\$311	A	13	208-230/460	0.7	65.0	7.56
	1725	42	092015	345	A	14	208-230/460	0.9	61.0	7.81
1/4	3450	42	092016	328	A	15	208-230/460	0.9	62.0	8.06
	1725	48	100123	262	A	16	208-230/460	1.0	78.0	9.18
	1725	S56	101649	262	A	16	208-230/460	1.0	78.0	9.56
1/3	3450	48	101013	247	A	17	208-230/460	1.2	72.0	9.06
	1725	48	100443	291	A	19	208-230/460	1.4	78.0	9.56
	1725	S56	102920	289	A	20	208-230/460	1.3	77.0	9.56
1/2	3450	56	110143	287	A	25	208-230/460	1.5	67.0	10.38
	1725	S56	102918 †	337	A	21	208-230/460	1.8	77.0	10.06
3/4	1725	56	114309	366	A	30	208-230/460	2.5	80.0	10.89
1	1725	143T	121098	420	B	35	208-230/460	3.2	80.0	11.83
1½	1725	145T	121099	440	B	47	208-230/460	4.2	80.0	13.33

Motors in this column have a 1.15 Service Factor.

F2 MOUNT MOTORS

General purpose, three-phase motors with NEMA F2 conduit box location.



DRIP-PROOF • THREE PHASE

HP	RPM 60 Hz	NEMA Frame	Catalog Number	List Price	Disc. Sym.	App. Wgt. (lbs.)	Voltage	F.L. Amps 230V	% F.L. Eff.	"C" Dim. (Inches)
3	1760	182T	G131240	\$457	B	63	208-230/460	8.4	86.5	11.69
5	1760	184T	G131239	507	B	76	208-230/460	13.2	87.5	13.69
7½	1760	213T	G140609	714	B	96	208-230/460	20.0	88.5	15.26

Motors in this column have NEMA Service Factors—see page 304 for details.

TEFC • THREE PHASE

NEMA Frame	Catalog Number	List Price	Disc. Sym.	App. Wgt. (lbs.)	Voltage	F.L. Amps 230V	% F.L. Eff.	"C" Dim. (Inches)
182T	G131237	\$517	B	74	208-230/460	8.2	87.5	13.96
184T	G131236	599	B	86	208-230/460	13.0	87.5	14.96
213T	G140604	756	B	119	208-230/460	20.4	89.5	17.71

Motors in this column have a 1.15 Service Factor.

Note: For larger F2 mount motors, 150 & 170 Series cast iron motors may be converted to F2 by reassembly.

AUTOMATIC OVERLOAD MOTORS

General purpose, drip-proof motors with automatic reset thermal overload protection. Not for use with variable frequency drives.



THREE PHASE • DRIP-PROOF • RIGID BASE

HP	RPM 60 Hz	NEMA Frame	Catalog Number	List Price	Disc. Sym.	App. Wgt. (lbs.)	Voltage	F.L. Amps 230V	% F.L. Eff.	"C" Dim. (Inches)
3	1760	182T	G131338	\$613	B	58	208-230/460	8.4	86.5	12.69
5	1760	184T	G130565	704	B	78	208-230/460	13.2	87.5	13.69

- ♣ 1.0 Service Factor.
- † Class F insulated.
- ♠ These totally enclosed single phase motors have 1.15 Service Factors.

All 180 and 210 frame Rolled Steel motors have Class F Insulation.

All three phase motors, 1 HP and above, are inverter rated. Refer to page 5 for speed ranges.

Catalog numbers in green are EPACT motors.

**SPEEDMASTER®
INVERTER-DUTY/
VECTOR DUTY MOTORS**

2000:1 CONSTANT TORQUE



Features:

- Class H inverter-rated IRIS™ insulation system
- Constant torque operation from 0 to base RPM rating on Vector Drives
- Constant HP operation to twice base RPM rating for 143T-256T frame, 1.5 x base RPM for all other sizes
- Designed for optimum performance with IGBT inverters – not for across-the-line starting
- C-face with rigid base through 100HP
- Normally closed thermostats (one per phase)
- Continuous duty at 40° C ambient
- 1.0 Service Factor (Class “B” rise on TEBC motors)
- Premium quality, cast iron frame and endbells
- 284T and larger are blower-cooled with a separately powered three-phase blower motor to provide added cooling at low speeds
- Ball bearings (Roller bearings available 360-frame and larger)
- Field convertible to F2 mounting
- Encoder provisions included on opposite drive end (See Encoder Kits this page)
- UL Recognized and CSA Certified
- Three-year warranty
- Meets NEMA MG1, parts 30 and 31

Applications:

Designed for inverter or vector applications where up to a 2000:1 constant torque speed range is required. Typical uses include: material handling, machine tools, conveyors, crane and hoist, metal processing, test stands, pumps, compressors, textile processing, and other industrial machinery installed in dusty or dirty environments.

THREE PHASE • TOTALLY ENCLOSED • RIGID BASE

HP	RPM 60 Hz	NEMA Frame	Catalog Number	List Price	Disc. Sym.	App. Wgt. (lbs.)	Voltage	F.L. Amps 230V	RPM Max.†	“C” Dim. (Inches)
1	1725	143TC	810548●	\$1087	C	61	230/460	3.0	5400	13.68
1½	1725	145TC	810547●	1197	C	68	230/460	4.6	5400	14.68
2	1750	145TC	810546●	1250	C	70	230/460	6.0	5400	14.68
3	1750	182TC	811320●	1493	C	110	230/460	8.0	5400	16.68
5	1750	184TC	811322●	1655	C	118	230/460	13.4	5400	17.69
7½	1760	213TC	810157●	2226	C	180	230/460	21.0	4200	20.56
10	1760	215TC	810140●	2630	C	290	230/460	26.0	4200	22.74
15	1765	254TC	810066●	3152	C	320	230/460	39.0	4200	25.12
	1170	284TC	810068	6659	C	440	230/460	40.0	3600	37.48
20	1765	256TC	810007●	4396	C	435	230/460	52.0	4200	27.13
	1170	286TC	810001	7979	C	450	230/460	52.4	3600	37.48
25	1770	284TC	810011	5355	C	438	230/460	65.0	3600	37.48
	1180	324TC	810003	9386	C	620	230/460	67.0	3600	40.41
30	1780	286TC	810015	5897	C	520	230/460	74.0	4200	38.98
	1180	326TC	810005	10329	C	700	230/460	82.0	3600	41.91
40	1775	324TC	810019	7458	C	620	230/460	100.0	3600	40.41
	1185	364TC	810096	12455	C	975	230/460	104.0	2700	42.78
50	1780	326TC	810023	8798	C	640	230/460	120.0	3600	41.91
	1185	365TC	810097	14932	C	1029	230/460	180.0	2700	43.78
60	1780	364TC	810027	11322	C	975	230/460	147.0	2700	42.78
	1185	404TC	810098	16566	C	1322	230/460	142.0	2700	46.72
75	1780	365TC	810031	13576	C	1050	230/460	180.0	2700	43.78
	1185	405TC	810099	20184	C	1350	230/460	180.0	2700	49.28
100	1780	405TC	810087	16541	C	1400	230/460	230.0	2700	49.28
	1185	444TC	811367+	22947	C	2050	230/460	250.0	2700	52.72
125	1780	444T	811369+	20860	C	2000	460	138.0①	2700	52.72
150	1780	445T	811371+	23667	C	2321	460	170.0①	2700	54.72
200	1785	445T	810503+	28015	C	2450	460	230.0①	2700	54.72
250	1780	449T	811516+	37115	C	3210	460	295.0①	2700	63.21
300	1785	449T	811529+	47048	C	3410	460	330.0①	2700	63.21
350	1785	449T	811530+	57389	C	3520	460	385.0①	2700	63.21

- These motors are Totally Enclosed, Non-Ventilated (TENV) – Others are Totally Enclosed Blower-Cooled (TEBC).
- † Contact LEESON for applications requiring higher speeds.
- + Contact LEESON for production leadtime on these items.
- ① Amps at 460 volts

ENCODER KITS* FOR SPEEDMASTER® 2000:1 MOTORS

Description	Enclosure	Frame	Brand/Model	PPR	Catalog Number	List Price	Disc. Sym.
Encoders							
Modular Mount, 5-15 VDC, with EPIC connector	TENV	143-256T	Northstar SL56	1024	E175927	\$2410	C
Shaft Mount, 5-26 VDC, with 10 pin connector	TENV	143-256T	Dynapar HS35	1024	E175928	1548	C
Shaft Mount, 5-26 VDC, with 10 pin connector	TENV	143-256T	BEI HS35	1024	E175929	1548	C
Shaft Mount, 5-26 VDC, with 10 pin connector	TENV	143-256T	Dynapar HS35	2048	E175930	1548	C
Shaft Mount, 5-26 VDC, with 10 pin connector	TENV	143-256T	BEI HS35	2048	E175931	1548	C
Modular Mount, 5-15 VDC (Encoder Conduit Box Required)	TEBC	284-449T	Northstar SL56	1024	E175921	2410	C
Shaft Mount, 5-26 VDC (Encoder Conduit Box Required)	TEBC	284-449T	Dynapar HS35	1024	E175922	1548	C
Shaft Mount, 5-26 VDC (Encoder Conduit Box Required)	TEBC	284-449T	BEI HS35	1024	E175923	1548	C
Shaft Mount, 5-26 VDC (Encoder Conduit Box Required)	TEBC	284-449T	Dynapar HS35	2048	E175924	1548	C
Shaft Mount, 5-26 VDC (Encoder Conduit Box Required)	TEBC	284-449T	BEI HS35	2048	E175925	1548	C
Conduit Box Required for all TEBC Units	—	—	—	—	ECB175926	172	C

* Shipped separately for field installation.

SHADED FRAME INDICATES CAST IRON CONSTRUCTION

C FACE MOTORS • SINGLE PHASE

WITH BASE • CAPACITOR START • GENERAL PURPOSE



C Face Motors



DRIP-PROOF • C FACE WITH BASE • SINGLE PHASE

TEFC • C FACE WITH BASE • SINGLE PHASE

HP	RPM 60 Hz	NEMA Frame	Catalog Number	List Price	Disc. Sym.	App. Wgt. (lbs.)	Voltage	Over- load Prot.	F.L. Amps 230V	"C" Dim. (Inches)
1/4	1725
1/3	3450
	1725	S56C	103023	\$306	A	18	115/208-230	None	3.3	9.24
	1725	S56C	103083	306	A	18	115/208-230	Man.	3.3	9.24

1/2	3450	S56C	103024	277	A	20	115/208-230	None	3.4	9.99
	1725	S56C	101651	370	A	21	115/208-230	None	4.4	9.99
	1725	S56C	103084	370	A	21	115/208-230	Man.	4.4	9.99
3/4	3450	S56C	103025	325	A	24	115/208-230	None	4.9	10.49
	1725	S56C	101650	428	A	27	115/208-230	None	5.4	10.99
	1725	S56C	103086	428	A	27	115/208-230	Man.	5.4	10.99
1	3450	S56C	116769	345	A	28	115/208-230	None	6.0	10.84
	3450
	1725	S56C	113930	489	A	34	115/208-230	None	6.4	10.88
	1725
	1725
1 1/2	3450	S56C	116770	464	A	35	115/208-230	None	6.2	11.34
	3450	S56C	114214☆	472	A	35	115/208-230	Man.	6.2	11.34
	3450
	1725	S56C	113932☆□	527	A	39	115/208-230	None	8.6	11.84
	1725	S56C	113700☆□	624	A	38	115/208-230	Man.	7.2	11.84
	1725
	1725
2	3450	S56C	116771	590	A	35	115/208-230	None	8.6	11.34
	3450	S56C	114215☆	599	A	35	115/208-230	Man.	8.6	11.34
	3450
	3450
	1725	S56C	113281☆□	646	A	45	115/208-230	Man.	8.6	12.88
	1725	145TC	120992	565	B	45	115/230	None	10.5	13.28
	1725
3	3450	S56C	116707☆□	454	A	41	230	Man.	15.0	12.38
	3450
	3450	182TC	132083☆	720	B	74	115/208-230	None	14.0	14.18
	1740	184TC	131629	769	B	70	115/208-230	Man.	16.9	14.19
	1740	184TC	131853☆	768	B	87	208-230	Man.	15.4	15.96
5	3450	S56C	116709☆□	530	A	46	230	Man.	20.8	13.34
	3450	184TC	131781☆	909	B	70	208-230	None	22.2	14.19
	1740	184TC	131630☆	945	B	77	208-230	Man.	21.0	14.69
7 1/2	3450	184TC	132043☆	943	B	112	208-230	Tstat	31.0	16.69
10	3450
	1740

NEMA Frame	Catalog Number	List Price	Disc. Sym.	App. Wgt. (lbs.)	Voltage	Over- load Prot.	F.L. Amps 230V	"C" Dim. (Inches)
S56C	102916	\$304	A	22	115/208-230	None	2.7	9.69
S56C	102929	302	A	22	115/208-230	None	2.8	9.69
S56C	102930	323	A	24	115/208-230	None	3.1	10.44
S56C	103082	323	A	24	115/208-230	Man.	3.1	10.31
S56C	102910●❖	323	A	25	115/208-230	None	2.6	10.31
S56C	102903	303	A	25	115/208-230	None	3.5	9.94
S56C	102907❖	388	A	22	115/208-230	None	4.0	10.69
S56C	103085	388	A	22	115/208-230	Man.	4.0	10.69
56C	112135	345	A	26	115/208-230	None	5.0	11.31
56C	110905❖	469	A	26	115/208-230	None	5.4	11.31
56C	116922	469	A	26	115/208-230	Man.	5.4	11.31
56C	110180	398	A	28	115/208-230	None	6.0	11.81
56C	115877	398	A	28	115/208-230	Man.	6.0	11.81
56C	110908❖	530	A	30	115/208-230	None	6.4	11.81
56C	115879	530	A	32	115/208-230	Man.	6.4	11.81
143TC	121680	530	B	32	115/208-230	None	6.4	12.25
...
56C	110909	515	A	34	115/208-230	None	8.5	12.31
56C	115024☆	541	A	35	115/208-230	Man.	6.2	12.31
56HC	110910☆❖□	630	A	39	115/208-230	None	8.6	12.81
56HC	116703□☆	634	A	42	115/208-230	Man.	8.6	12.81
145TC	121681	630	B	40	115/208-230	None	8.6	13.75
56HC	113931❖□†	675	A	46	115/208-230	None	10.0	13.31
56HC	114995□☆	643	A	42	115/208-230	Man.	9.2	13.31
56HC	115878❖†□	675	A	43	115/208-230	Man.	10.0	13.31
145TC	121008❖†	675	B	43	115/208-230	None	10.0	13.75
...
145TC	120274☆	851	B	49	115/230	None	9.2	14.25
145TC	121465☆	851	A	44	115/208-230	Man.	9.2	13.75
56HC	115048□☆	704	A	53	208-230	Man.	14.0	13.31
145TC	121060☆	757	B	51	230	Man.	13.0	14.25
...
184TC	131631	1175	B	84	115/208-230	Man.	16.8	16.47
184TC	131857☆	1175	B	104	230	Man.	13.7	17.61
...
184TC	131632❖❖	1182	B	103	230	Man.	19.8	16.97
184TC	131633☆	1231	B	86	230	Man.	23.0	16.97
213TC	140694☆	1387	B	120	208-230	None	32.0	19.07
215TC	140695☆	1655	B	138	208-230	None	41.5	20.57
215TC	140678☆	1602	B	152	230	None	40.0	20.71

Motors in this column have NEMA Service Factors - see page 308 for details.

Motors in this column have NEMA Service Factors except as denoted by ❖, which have 1.15 Service Factors.

- ☆ Capacitor start/capacitor run design for reduced amperage, others are capacitor start/induction run.
- ❖ These totally enclosed single phase motors have 1.15 Service Factors.
- These motors are totally enclosed, non-ventilated - Others are fan cooled.
- Combination 56H base motors have mounting holes for NEMA 56 and NEMA 143-145T and standard NEMA 56C face and shaft.
- † Class F insulated.

All 180 and 210 frame Rolled Steel motors have Class F Insulation.

QUICK REFERENCE	
WASHGUARD C FACE MOTORS	Page 30
BRAKEMOTORS	44
WATTSaver® C FACE MOTORS	18



C FACE MOTORS • THREE PHASE

LESS BASE • GENERAL PURPOSE



DRIP-PROOF • C FACE LESS BASE • THREE PHASE

HP	RPM 60 Hz	NEMA Frame	Catalog Number	List Price	Disc. Sym.	App. Wgt. (lbs.)	Voltage	FL. Amps 230V	% FL. Eff.	"C" Dim. (Inches)
1/6	1725
1/4	3450
	1725
	1725
	1725	S56C	103014	\$234	A	19	208-230/460	1.4	58.0	9.24
	1725
1/3	3450	S56C	100375	236	A	15	208-230/460	1.4	68.0	9.31
	1725
	1725	S56C	100048	258	A	17	208-230/460	1.6	64.3	9.49
	1725
	1725	S56C	102695 [W]	317	A	22	208-230/460	1.3	77.0	10.24
	1140
	1140
1/2	3450
	3450	S56C	100056	253	A	17	208-230/460	1.8	69.0	9.31
	3450
	1725
	1725
	1725	S56C	100049	298	A	21	208-230/460	2.0	68.0	9.99
	1725
	1725	S56C	102200 [W]	340	A	25	208-230/460	1.8	77.0	10.74
	1140	56C	110434	441	A	26	208-230/460	2.8	66.0	10.38
3/4	3450	S56C	100378	300	A	20	208-230/460	2.4	79.0	9.81
	1725	S56C	100050	331	A	24	208-230/460	2.8	75.0	10.49
	1725	56C	114934 [W]	364	A	29	208-230/460	2.4	81.5	10.86
	1140	56C	116728	477	A	35	208-230/460	3.4	75.5	10.88
	1140	143TC	120063	477	B	36	208-230/460	3.4	75.5	11.28
1	3450	56C	110111	345	A	22	208-230/460	3.2	77.0	9.88
	3450
	1725	56C	110043	362	A	22	208-230/460	4.2	78.5	10.38
	1725	56C	116740 [W]	528	A	32	208-230/460	3.4	85.5	11.68
	1725	143TC	120172	362	B	26	208-230/460	4.2	78.5	11.28
	1725	143TC	121064 [W]	528	B	32	208-230/460	3.4	85.5	12.12
	1140
	1140
	1140	145TC	120082	514	B	34	208-230/460	4.0	77.0	11.78
	1160
1 1/2	3450	56C	110437	400	A	27	208-230/460	4.2	81.5	10.84
	3450
	3450	143TC	121668	400	B	29	208-230/460	4.2	82.1	11.78
	1725	56C	110044	422	A	27	208-230/460	5.6	78.5	10.88
	1725	56C	116741 [W]	551	A	36	208-230/460	5.6	86.5	12.68
	1725	145TC	120081	398	B	34	208-230/460	5.6	78.5	11.78
	1725	143TC	121063 [W]	551	B	36	208-230/460	5.6	86.5	13.12
	1140
	1140	145TC	121669	542	B	39	208-230/460	5.7	77.0	12.28

[W] Premium efficiency WATTSaver® Motors. See page 15 for details.

TEFC • C FACE LESS BASE • THREE PHASE

NEMA Frame	Catalog Number	List Price	Disc. Sym.	App. Wgt. (lbs.)	Voltage	FL. Amps 230V	% FL. Eff.	"C" Dim. (Inches)
48CZ	102662	\$242	A	15	208-230/460	.7	71.0	9.44
48CZ	101965 ●	315	A	15	208-230/460	1.0	67.0	9.03
48CZ	101966 ●	275	A	18	208-230/460	1.0	78.0	9.31
48CZ	101981	275	A	17	208-230/460	1.4	58.0	8.94
S56C	101648 ●	269	A	17	208-230/460	1.0	78.0	9.56
S56C	101767	269	A	19	208-230/460	1.4	58.0	9.69
56C	110446 ●	265	A	20	208-230/460	1.2	77.0	9.90
48CZ	102664	280	A	20	208-230/460	1.6	64.3	9.19
S56C	101769	291	A	20	208-230/460	1.6	64.3	9.69
S56C	102863 ●	297	A	19	208-230/460	1.3	77.0	9.56
S56C	102696 [W]	397	A	22	208-230/460	1.3	77.0	10.19
48C	101291 ●	453	A	20	208-230/460	1.8	73.0	9.56
56C	113311	453	A	22	208-230/460	1.6	65.0	10.81
48C	100449 ●	309	A	23	208-230/460	1.6	67.0	10.06
56C	110144 ●	309	A	25	208-230/460	1.6	82.5	10.40
56C	114176	309	A	19	208-230/460	2.0	72.0	10.31
48CZ	100486 ●	353	A	24	208-230/460	1.6	78.0	10.31
48CZ	102666	339	A	24	208-230/460	2.0	73.0	9.69
S56C	102861 ●	351	A	23	208-230/460	1.8	77.0	10.06
S56C	102860	339	A	19	208-230/460	2.0	73.0	10.19
S56C	101780 [W]	426	A	25	208-230/460	1.8	77.0	10.69
56C	110163	489	A	25	208-230/460	2.4	70.0	11.31
56C	110448	324	A	21	208-230/460	2.4	75.5	10.81
56C	110047	366	A	22	208-230/460	2.8	77.0	10.81
56C	114213 [W]	459	A	27	208-230/460	2.7	81.5	11.31
56C	112378	512	A	29	208-230/460	3.0	75.5	11.81
143TC	120097	512	B	33	208-230/460	3.0	75.5	12.25
56C	110112	381	A	21	208-230/460	3.2	77.0	10.81
56C	116748 [W]	503	A	29	208-230/460	2.8	80.0	11.31
56C	110048	391	A	24	208-230/460	3.8	77.0	11.31
56C	114638 [W]	638	A	34	208-230/460	3.4	85.5	12.81
143TC	120024	391	B	26	208-230/460	3.8	77.0	11.75
143TC	121067 [W]	638	B	36	208-230/460	3.4	85.5	13.25
56C	112379	502	A	32	208-230/460	4.0	77.0	12.31
56C	116749 [W]	670	A	47	208-230/460	3.8	82.5	13.75
145TC	120098	502	B	36	208-230/460	4.0	77.0	12.75
56C	116749 [W]	670	A	47	208-230/460	3.8	82.5	13.75
56C	110192	420	A	28	208-230/460	4.2	81.5	11.81
56C	116750 [W]	572	A	33	208-230/460	4.0	84.0	13.25
143TC	120105	415	B	33	208-230/460	4.2	80.3	12.75
56C	110125	414	A	29	208-230/460	5.0	78.5	11.81
56C	116743 [W]	673	A	41	208-230/460	4.8	86.5	13.31
145TC	120037	402	B	32	208-230/460	5.0	80.0	12.75
145TC	121066 [W]	673	B	41	208-230/460	4.8	86.5	13.75
56C	113634	573	A	39	208-230/460	5.7	77.0	13.31
145TC	120161	573	B	39	208-230/460	5.7	77.0	13.75

► Shaft extension has keyway and flat 180° apart for ease of mounting. Useable shaft is 1 1/2" long by 1/2" diameter, 1/8" keyway.

● These motors are totally enclosed, non-ventilated — Others are fan cooled.

CONTINUED ON NEXT PAGE

All three phase motors, 1 HP and above, are inverter rated. Refer to page 5 for speed ranges.

WASHGUARD MOTORS NOW AVAILABLE IN FIVE STYLES



**PREMIUM WASHGUARD
ALL-STAINLESS**



**STAINLESS
STEEL DUCK**

Maximum service in critically clean or corrosive environments

- All exterior components of stainless steel
- Endshields o-ring sealed to frame
- IEEE 841 severe-duty features standard
- Meets demanding pharmaceutical requirements, also excellent for chemical-processing applications
- Meets IP56 enclosure protection
- Incorporates all WASHGUARD mechanical and electrical features, plus IRIS™ insulation system
- IRIS™ insulation system
- BISSC certified for baking industry

AC motor catalog listings on page 37
DC motor catalog listings on page 89



**WASHGUARD SST
ALL-STAINLESS**



SST DUCK

Stainless Steel Tough for demanding washdown applications

- All exterior components of 300 series stainless steel, including motor frame, endshield and conduit box castings
- Moisture resistant sealant between frame and endbells
- Full-fact nameplate is laser-etched on the motor frame
- Built to withstand the demanding washdown environments found in the food processing, chemical processing and beverage industries
- No paint or coatings of any type are used on the exterior of the motor
- Four locations for T-drains provided on each endshield
- IRIS™ insulation system
- Meets IP55 enclosure protection
- Three phase motors are suitable for use on VFDs
- 10:1 ratio for constant or variable torque at 1.0 SF

Catalog listings on page 35



**WASHGUARD II
STAINLESS FRAME**



Super Duck

Superior, extended life in severe environments

- Paint-free exterior—stainless frame and conduit box lid, specially processed endshields and conduit box housing
- Etched stainless steel nameplate
- Proven WASHGUARD mechanical and electrical features
- IRIS™ insulation system
- BISSC certified for baking industry
- Meets IP55 enclosure protection
- Three phase motors are suitable for use on VFDs
- 10:1 ratio for constant or variable torque at 1.0 SF

Catalog listings on page 33



**WASHGUARD
WHITE EPOXY**



White Duck

Enhanced performance in wet, humid areas

- Our original moisture-shedding “duck” motor
- Durable RUST-OLEUM® white epoxy coating
- Stainless steel shaft, conduit box cover, nameplate, fan guard
- Special gaskets, slingers and seals
- Four endshield drains
- Moisture-resistant interior components
- IRIS™ insulation system
- Single-phase, three-phase and DC SCR models
- Meets IP55 enclosure protection
- Three phase motors are suitable for use on VFDs
- 10:1 ratio for constant or variable torque at 1.0 SF



PROTECTED WITH RUST-OLEUM COATINGS

Catalog listings on pages 30-32



**EXTREME
DUCK**



**EXTREME
DUCK**

Revolutionary Designed Stainless Steel Motors are built to be the last Stainless Steel Washdown motors you will ever need!

- Meet EPACT for non-exempt when tested without shaft seals
- Total winding encapsulation using an Epoxy Resin
- LEESON's exclusive IRIS™ Inverter-Rated Insulation System
- Motors are UL component recognized
- CSA Energy Efficiency Verification
- Construction is CSA Certified for safety
- All exterior components are 300-Series stainless steel
- Protech Bearing isolator used for the output shaft seal
- Double Lip Viton shaft seal used on non-drive output shaft on TEFC motors
- Minimal exterior fasteners, no through-bolt design and screw on conduit box covers
- Pre-lubricated double-sealed bearings
- Rotor/Cartridge, “Q-CAR,” for quick access to bearings
- Rigid Cast Base for rugged applications
- Full fact nameplate is laser etched
- BISSC certified for baking industry

Catalog listings on page 39

WASHGUARD MOTORS ARE BUILT TO HANDLE HIGH-PRESSURE WASHDOWNS!*

Stainless-steel fan guard on all WASHGUARD frames.

Composite fan is chemically-inert and static-free. Fan is positively positioned on shaft. On TEFC designs only.

USDA-approved, white epoxy finish for superior protection and resistance to caustic cleaning solutions.

Encapsulated starting switch (single-phase WASHGUARD motors) uses a patented, field-proven design that is immune to moisture, shock and vibration. No moving parts or exposed contacts to become corroded or inoperable.

Stainless-steel, "full-fact" nameplate includes information on motor efficiency and connections. Readable even after repeated washdowns.

Moisture-resistant shaft system includes 303 stainless-steel shaft and lubricated, spring-loaded contact seals in each endshield. Patented V-ring Forsheda seal on shaft end to deflect water (see inset). Double-sealed, oversized bearings lubricated with Exxon POLYREX® EM high temperature, moisture-resistant lubricant. Bearing cavities packed to further retard entrance of moisture.



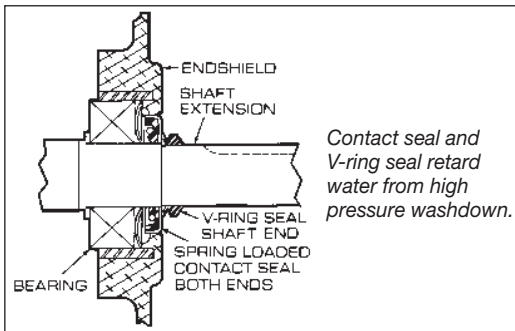
WASHGUARD White Epoxy Model Shown

Cast, oversized conduit box with tough, high-temperature nitrile gaskets and stainless-steel cover and hardware. Oversized design with threaded entrance. All machined fits are sealed and nylon gaskets are used under bolt heads.

Interior coatings protect against moisture and corrosion. Frame, base, endshields, rotor, and interior components are protected by enamel and polyester compounds of outstanding adhesion and resistance to moisture, acids, alkalis, and oils. Efficiencies meet EPACT mandates for covered motors when tested without shaft seals. High temperature, moisture resistant IRIS insulation system assures long life on inverter service. Windings are immersed and cured in polyester insulating compound.



Four condensate drains in each endshield (at three, six, nine, and twelve o'clock) purge condensate and water which may enter the motor.



* Also excellent for applications requiring a motor that is "tropicalized"!

QUICK REFERENCE	
WASHGUARD WHITE EPOXY	Page 30
WASHGUARD STAINLESS FRAME	33
WASHGUARD ALL-STAINLESS	35,37,39



WASHGUARD MOTORS

WHITE EPOXY • SINGLE PHASE & DC

WASHGUARD



White Duck



SINGLE PHASE • TEFC • RIGID BASE

Featuring Electronic Solid State Encapsulated Switch

HP	RPM 60 Hz	NEMA Frame	Catalog Number	List Price	Disc. Sym.	App. Wgt. (lbs.)	Voltage	Over- load Prot.	F.L. Amps 230V	"C" Dim. (Inches)
1/2	1725	56	112431	\$475	A	24	115/208-230	None	4.4	10.81
3/4	1725	56	112432	558	A	31	115/208-230	None	5.4	11.31
1	1725	56	112626	639	A	33	115/208-230	None	6.4	11.81
	1740	143T	120589	639	B	34	115/208-230	None	6.4	12.25
1½	1740	145T	120590	814	B	47	115/208-230	None	9.5	13.75
2	1740	182T	131571	1181	B	60	115/208-230	None	12.6	13.46

SINGLE PHASE • TEFC • C FACE LESS BASE

Featuring Electronic Solid State Encapsulated Switch

HP	RPM 60 Hz	NEMA Frame	Catalog Number	List Price	Disc. Sym.	App. Wgt. (lbs.)	Voltage	Over- load Prot.	F.L. Amps 230V	"C" Dim. (Inches)
1/3	3450	56C	114310	\$465	A	25	115/208-230	None	2.6	10.69
	1725	56C	114311	472	A	27	115/208-230	None	3.2	10.69
1/2	3450	56C	114312	472	A	25	115/208-230	None	3.6	10.69
	1725	56C	114313	485	A	29	115/208-230	None	4.4	11.19
3/4	3450	56C	114314	475	A	31	115/208-230	None	5.0	11.69
	1725	56C	114315	560	A	31	115/208-230	None	5.4	11.69
1	3450	56C	114316	477	A	29	115/208-230	None	6.0	12.19
	1725	56C	114317	635	A	34	115/208-230	None	6.4	12.19
1½	3450	56C	114318	705	A	36	115/208-230	None	8.5	12.69
	1725	56C	114319	814	A	43	115/208-230	None	9.5	13.69

SINGLE PHASE • TEFC • C FACE WITH BASE

Featuring Electronic Solid State Encapsulated Switch

HP	RPM 60 Hz	NEMA Frame	Catalog Number	List Price	Disc. Sym.	App. Wgt. (lbs.)	Voltage	Over- load Prot.	F.L. Amps 230V	"C" Dim. (Inches)
1/3	3450	56C	113580	\$468	A	27	115/208-230	None	2.6	10.69
	1725	56C	112526	475	A	28	115/208-230	None	3.2	10.69
1/2	3450	56C	113581	475	A	25	115/208-230	None	3.6	10.69
	1725	56C	112527	491	A	28	115/208-230	None	4.4	11.19
3/4	3450	56C	113582	481	A	31	115/208-230	None	5.0	11.69
	1725	56C	112528	557	A	30	115/208-230	None	5.4	11.69
1	3450	56C	113583	483	A	31	115/208-230	None	6.0	12.19
	1725	56C	112529	641	A	33	115/208-230	None	6.4	12.19
1½	3450	56C	113584	706	A	36	115/208-230	None	8.5	12.69
	1725	56HC	113300	818	A	45	115/208-230	None	9.5	13.69
2	3450	56HC	114637	814	A	43	115/208-230	None	10.0	13.69



PROTECTED WITH RUST-OLEUM® COATINGS

DC • SCR RATED 90 & 180 VOLTS

TENV • C FACE WITH REMOVABLE BASE

HP	Full Load RPM	NEMA Frame	Catalog Number	List Price	Disc. Sym.	App. Wgt. (lbs.)	Arm. Volts DC	Control Volts AC	F.L. Amps DC	"C" Dim. (Inches)
1/4	1750	S56C	108423	\$624	A	23	90	115	2.7	10.69
	1750	S56C	098375	624	A	21	180	230	1.4	10.22
1/3	1750	S56C	108424	660	A	26	90	115	3.5	11.69
	1750	S56C	098376	660	A	22	180	230	1.7	10.22
1/2	1750	S56C	108226	739	A	38	90	115	4.9	13.69
	1750	S56C	108227	739	A	43	180	230	2.4	13.69
3/4	1750	S56C	108228	897	A	53	90	115	7.0	15.69
	1750	S56C	108229	897	A	50	180	230	3.5	15.69
1	1750	S56C	108230**	1094	A	45	90	115	10.0	15.81
	1750	S56C	108231**	1094	A	42	180	230	5.0	14.81
1½	1750	S56C	108232**	1397	A	50	180	230	7.6	15.81

** These motors are totally enclosed fan cooled.

All Washdown Duty motors have Class F Insulation.

WASHGUARD MOTORS SHED WATER LIKE A DUCK!





THREE PHASE • TEFC • JM PUMP

HP	RPM 60 Hz	NEMA Frame	Catalog Number	List Price	Disc. Sym.	App. Wgt. (lbs.)	Voltage	F.L. Amps 230V	% F.L. Eff.	"C" Dim. (Inches)
1	1725	143JM	121579	\$823	B	37	208-230/460	3.1	82.5	15.75
1½	3450	143JM	121580	888	B	46	208-230/460	4.0	82.5	15.75
	1725	145JM	121581	911	B	53	208-230/460	4.4	84.0	15.75
2	3450	145JM	121582	1003	B	47	208-230/460	5.2	84.0	15.75
	1725	145JM	121583	940	B	49	208-230/460	5.6	84.0	16.25
3	3450	145JM	121584	1077	B	45	208-230/460	7.6	85.5	16.25
	1760	182JM	131967	1196	B	79	208-230/460	8.2	87.5	16.13
5	3450	184JM	131968	1427	B	78	208-230/460	12.0	87.5	16.13
	1760	184JM	131969	1295	B	81	208-230/460	13.0	87.5	16.63
7½	3450	184JM	131970	1564	B	110	208-230/460	16.8	88.5	17.63
	1740	213JM	140733	1745	B	133	208-230/460	20.4	89.5	19.00
10	3450	215JM	140734	2150	B	135	208-230/460	24.0	89.5	21.70
	1740	215JM	140735	2031	B	142	208-230/460	26.0	89.5	20.00
15	3450	215JM	140736	2458	B	150	208-230/460	36.0	90.2	21.70



JET PUMP • THREADED SHAFT THREE PHASE • TEFC • C-FACE LESS BASE

HP	RPM 60 Hz	NEMA Frame	Catalog Number	List Price	Disc. Sym.	App. Wgt. (lbs.)	Voltage	F.L. Amps 230V	% F.L. Eff.	"C" Dim. (Inches)
¾	3450	56J	116774	\$505	A	23	208-230/460	2.4	75.5	10.81
1	3450	56J	116775	587	A	35	208-230/460	3.2	77.0	10.81
1½	3450	56J	116776	624	A	42	208-230/460	4.2	81.5	11.81
2	3450	56J	116777	715	A	47	208-230/460	5.6	82.5	12.31
3	3450	56J	116778	750	A	49	208-230/460	7.6	84.0	13.25

JET PUMP • THREADED SHAFT THREE PHASE • TEFC • C-FACE WITH BASE

HP	RPM 60 Hz	NEMA Frame	Catalog Number	List Price	Disc. Sym.	App. Wgt. (lbs.)	Voltage	F.L. Amps 230V	% F.L. Eff.	"C" Dim. (Inches)
¾	3450	56J	116779	\$518	A	24	208-230/460	2.4	75.5	10.81
1	3450	56J	116780	602	A	36	208-230/460	3.2	77.0	10.81
1½	3450	56J	116781	653	A	43	208-230/460	4.2	81.5	11.81
2	3450	56J	116782	727	A	48	208-230/460	5.6	82.5	12.31
3	3450	56J	116783	774	A	50	208-230/460	7.6	84.0	13.25



WASHGUARD • TENV/TEFC • C FACE WITH BASE

HP	RPM 60 Hz	NEMA Frame	Brake Rating (ft-lbs)	Catalog Number	List Price	Disc. Sym.	App. Wgt. (lbs.)	Voltage	F.L. Amps 230V	% F.L. Eff.	"C" Dim. (Inches)
1/3	1725	56C	3	116466	\$1004	A	40	208-230/460	1.3	72.0	14.00
1/2	1725	56C	3	116467	1023	A	42	208-230/460	1.8	78.5	14.50
¾	1725	56C	6	116468	1214	A	44	208-230/460	2.5	80.0	15.00
1	1725	56C	6	116469	1254	A	48	208-230/460	3.2	80.0	15.50
	1725	143TC	6	121616	1254	A	49	208-230/460	3.2	80.0	16.06
1½	1725	145TC	10	G121617	1739	A	50	208-230/460	4.4	84.0	19.01
2	1725	145TC	10	G121618	1802	A	62	208-230/460	5.6	84.0	19.01

WASHGUARD • TENV/TEFC • C FACE LESS BASE

HP	RPM 60 Hz	NEMA Frame	Brake Rating (ft-lbs)	Catalog Number	List Price	Disc. Sym.	App. Wgt. (lbs.)	Voltage	F.L. Amps 230V	% F.L. Eff.	"C" Dim. (Inches)
1/3	1725	56C	3	116462	\$969	A	39	208-230/460	1.3	72.0	14.00
1/2	1725	56C	3	116463	993	A	41	208-230/460	1.8	78.5	14.50
¾	1725	56C	6	116464	1181	A	43	208-230/460	2.5	80.0	15.00
1	1725	56C	6	116465	1223	A	45	208-230/460	3.2	80.0	15.50
	1725	143TC	6	121613	1223	A	46	208-230/460	3.2	80.0	15.56
1½	1725	145TC	10	121614	1694	A	49	208-230/460	5.0	78.5	18.01
2	1725	145TC	10	121615	1743	A	61	208-230/460	6.2	81.5	18.51

All Washdown Duty motors have Class F Insulation.

WASHGUARD COUPLER BRAKES

Solid die-cast aluminum Stearns NEMA 4X coupler brake converts any TEFC or TENV 56C thru 145TC motor to a fail-safe brakemotor by mounting between the C-face motor and driven equipment. Food safe white epoxy finish. BISSC Certified. Adds 5" to the overall length of 56C thru 145TC WASHGUARD TEFC or TENV motors. Includes all mounting components.



For Both Single and Three Phase Motors

Cat. No. 115/208-230V Single Phase	Cat. No. 208-230/460V Three Phase	Cat. No. 575V Three Phase	Brake Rating (ft-lbs)	Max. HP @ 1725 rpm	Mounts to NEMA Frame	Coupler Brake Output Shaft and Face	List Price	Disc. Sym.	App. Wt. (lbs.)
175566	175567	175568	3	1	56C	5/8", 56C	\$886	A	13
175572	175573	175574	6	2	56C/143-5TC	5/8", 56C	954	A	14

Larger coupler brakes on page 43.

WASHGUARD BRAKEKITS™

Kit of components including a Stearns NEMA 4X brake to convert 56 thru 145T frame stock TEFC only motors to fail-safe brakemotors. Food safe white epoxy finish. BISSC Certified. Adds 5 1/8" to the overall length of 56 thru 145T WASHGUARD TEFC motors.



WASHGUARD Brakekits™ have the same convenient assembly method as general purpose models.

For Both Three Phase and 230V Single Phase Motors

Brake Rating (ft-lbs)	Mounts to NEMA Frame	Max. HP @ 1725rpm	Cat. No. 208-230/460 V Brake Coil Voltage	List Price	Disc. Sym.	App. Wt. (lbs.)
3	56/143-5T	1	175616	\$984	A	24
6	56/143-5T	2	175617	1039	A	36
10	56/143-5T	3	175618	1094	A	43

All three phase motors, 1 HP and above, are inverter rated. Refer to page 5 for speed ranges.

WASHGUARD II MOTORS

STAINLESS FRAME • THREE PHASE



WASHGUARD

Super Duck



LEESON Severe Duty, stainless frame, WASHGUARD II motors are designed for superior extended service in severe environments. Typical applications include food processing areas requiring frequent sanitation procedures using high pressure cleaning with concentrated caustic solutions, areas of high humidity and in chemical environments.

Mechanical Protection Features
These motors have an *entirely paint free exterior* with 300 series stainless steel motor body, conduit box lid, shaft extension, hardware, fasteners and an etched motor data plate.

To enhance chemical and corrosion resistance, all surfaces of the endbells and conduit box are processed using a U.S. Department of Agriculture approved technique. This proprietary process has been tested and qualified for more than 2,500 hours of salt spray endurance for external surfaces, and

1,000 hours for internal surfaces. This process has proven successful in food washdown applications and has shown excellent corrosion resistance.

Shaft seals, slingers and one-way stainless steel drains retard entrance of contaminants and water into the motor. Multiple, repositionable drains provided for all angle mounting, release any water that does enter the motor from hose downs or condensation. Chemically resistant, tough nitrile gaskets and a threaded entrance for power connection also restrict entrance to the motor's interior. Nylon gaskets are used to seal bolt heads.

Bearings used are double sealed and prelubricated with moisture resistant Exxon POLYREX® EM high temperature lubricant.

Electrical Performance and Protection Features

Efficiencies meet EPACT mandates for *covered* motors when tested without shaft seals. High temperature, moisture resistant IRIS insulation system assures long life on inverter service. Windings are immersed and cured in polyester insulating compound. **All Washdown Duty motors have Class F Insulation.**

Standards and Approvals

UL component recognized, file number E57948, guide number PRGY2. Energy efficiency ratings are verified by an independent testing laboratory.

CSA Energy Efficiency Verification Program, report number EEV 78720-1.

Construction is CSA Certified for safety report number LR33543.

WASHGUARD II motors are certified to the Baking Industry Sanitation Standard #29 and listed under BISSC authorization number 769.



STAINLESS FRAME • TENV > • C FACE LESS BASE

HP	RPM 60 Hz	NEMA Frame	Catalog Number	List Price	Disc. Sym.	App. Wgt. (lbs.)	Voltage	FL. Amps 230V	% F.L. Eff.	"C" Dim. (Inches)
1/2	1725	56C	114394	\$592	A	30	208-230/460	1.6	78.5	11.06
3/4	1725	56C	114395	685	A	34	208-230/460	2.3	80.0	11.56
1	1725	56C	114437	710	A	44	208-230/460	3.0	81.5	12.06
	1725	143TC	121109	710	B	40	208-230/460	3.0	81.5	12.13
1 1/2	1725	56C	114581 >	744	A	45	208-230/460	4.4	84.0	12.69
	1725	145TC	121350 >	744	B	40	208-230/460	4.4	84.0	12.75
2	1725	56C	114582 >	846	A	51	208-230/460	5.6	84.0	13.69
	1725	145TC	121351 >	846	B	51	208-230/460	5.6	84.0	13.75

> All ratings TENV except 1 1/2 & 2 HP, which is TEFC with stainless steel fan cover and chemically inert fan.



STAINLESS FRAME • TENV > • C FACE WITH BASE

HP	RPM 60 Hz	NEMA Frame	Catalog Number	List Price	Disc. Sym.	App. Wgt. (lbs.)	Voltage	FL. Amps 230V	% F.L. Eff.	"C" Dim. (Inches)
1/2	1725	56HC	114560 □	\$597	A	34	208-230/460	1.6	78.5	11.56
3/4	1725	56HC	114561 □	691	A	38	208-230/460	2.3	80.0	12.06
1	1725	56HC	114562 □	717	A	45	208-230/460	2.3	81.5	12.06
	1725	143TC	121165	717	B	45	208-230/460	2.3	81.5	12.13
1 1/2	1725	145TC	G121166 >	750	B	42	208-230/460	4.4	84.0	13.25
2	1725	145TC	G121167 >	877	B	51	208-230/460	5.6	84.0	13.75

> All ratings TENV except 1 1/2 & 2 HP, which is TEFC with stainless steel fan cover and chemically inert fan.
□ Combination 56H base motors have mounting holes for NEMA 56 and NEMA 143-145T and standard NEMA 56C face and shaft.

CHEMICAL RESISTANCE RATING CHART

CHEMICAL	CONCENTRATION	COMPONENT-RESISTANCE	
		STAINLESS STEEL PARTS	ENDBELLS & CONDUIT BOX
WATER:			
De-Ionized Boiling	100%	Excellent	Excellent
Salt (Immersed)	30%	Excellent	Excellent
Salt (Spray)	5%	Excellent	Excellent
Tap - 250°F/120°C @ 10,000 PSI	100%	Excellent	Excellent
ACIDS:			
Hydrochloric	35%	Poor	Very Good
Sulfuric	25%	Poor	Excellent
Nitric	35%	Excellent	Good
Picric	Saturated Solution	Excellent	Very Good
BASE:			
Caustic	100%	Excellent	Excellent
Caustic	12.5 pH	Excellent	Excellent
Caustic - 125°F/50°C	9.5 pH	Excellent	Excellent
SOLVENTS:	--	Excellent	Excellent



All three phase motors, 1 HP and above, are inverter rated. Refer to page 5 for speed ranges.

Catalog numbers in green are EPACT motors.



WASHGUARD ALL-STAINLESS MOTORS

ALL-STAINLESS • THREE PHASE

WASHGUARD

WASHGUARD SST

This member of LEESON's family of tough ducks is designed for long life in demanding washdown applications. LEESON's FHP WASHGUARD SST All-Stainless motors are Stainless Steel Tough!

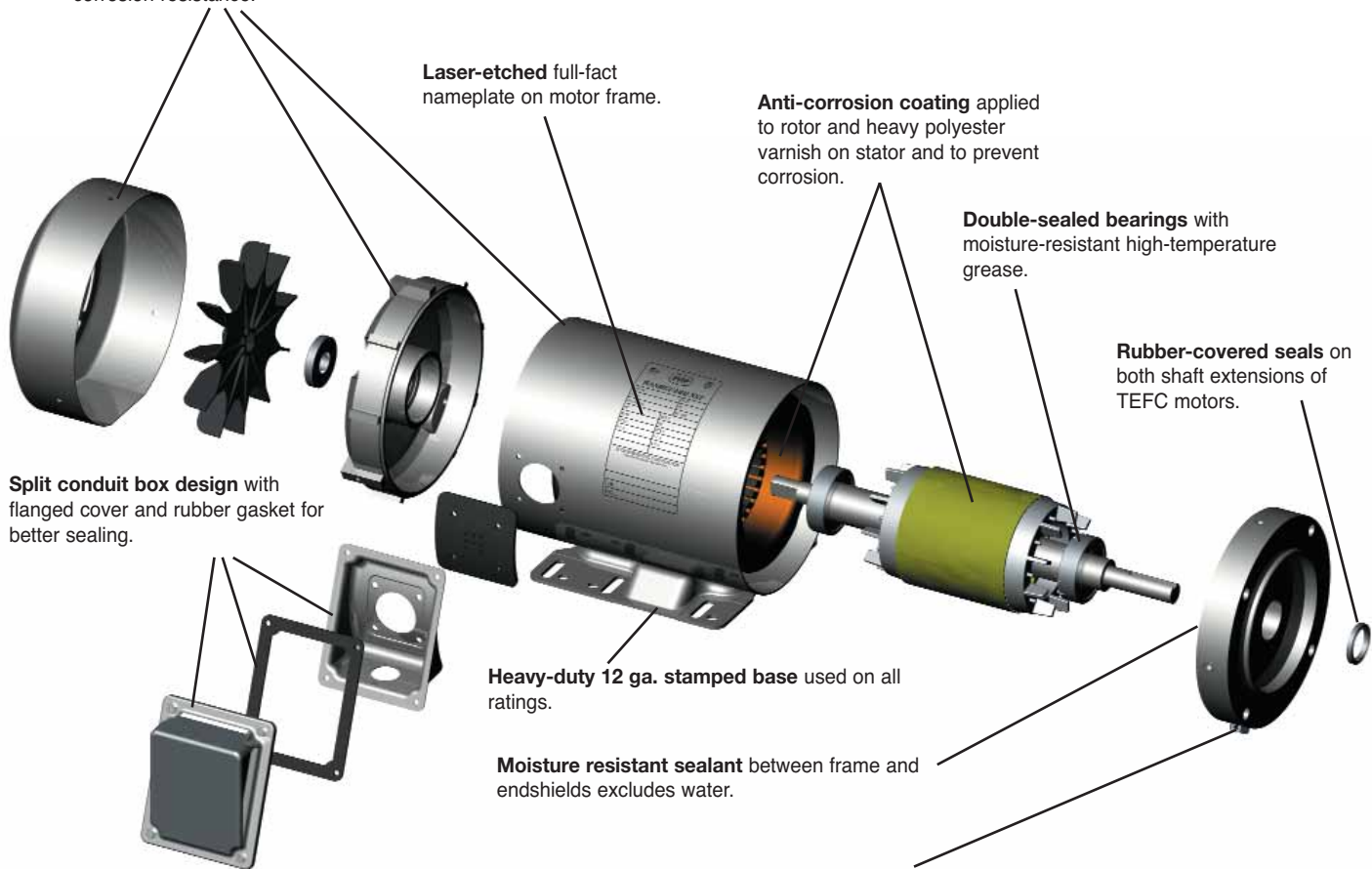
Built with all stainless steel external components to prevent corrosion and well sealed against moisture and condensation to protect internal components, the Washguard SST all-stainless motors are able to withstand the severe washdown environments found in the food processing, chemical processing, and beverage industries.



CHEMICAL RESISTANCE RATING CHART

CHEMICAL	CONCENTRATION	ALL STAINLESS COMPONENTS
WATER:		
De-Ionized Boiling	100%	Excellent
Salt (Immersed)	30%	Excellent
Salt (Spray)	5%	Excellent
Tap - 250°F/120°C @ 10,000 PSI	100%	Excellent
ACIDS:		
Hydrochloric	35%	Poor
Sulfuric	25%	Poor
Nitric	35%	Excellent
Picric	Saturated Solution	Excellent
BASE:		
Caustic	100%	Excellent
Caustic	12.5 pH	Excellent
Caustic - 125°F/50°C	9.5 pH	Excellent
SOLVENTS:		
	-	Excellent

300-Series stainless steel exterior components – frame, base, endshields, shaft extension, fan guard, hardware, conduit box and cover – for maximum corrosion resistance.



Four condensate drains in each endshield (at three, six, nine and twelve o'clock) provide locations to purge condensate and water, which may enter the motor.
T-drains provided for effective drainage without allowing water to splash inside the motor. T-drain for opposite shaft end is installed at six o'clock position (and can be relocated easily). T-drain for shaft end is shipped loose for customer installation at low point of motor.

WASHGUARD ALL-STAINLESS MOTORS

ALL-STAINLESS • SINGLE-PHASE & THREE-PHASE



WASHGUARD

WASHGUARD SST

Mechanical Protection Features:

All exterior components – frame, base, endshields, fan guard, shaft, hardware, conduit box and cover – are made from 300 series stainless steel for maximum corrosion resistance. Nameplate data is permanently laser-etched into the motor frame – no Mylar nameplate that can wash off or riveted metal nameplate to trap dirt. No paint or any type of coating is used on the exterior of the motor.

Sealant is applied to endshield and frame fits before assembly to prevent water entry. Shaft seals on both ends of TEFC motors – shaft end only on TENV. Double-sealed bearings have high performance Exxon Polyrex EM grease. Conduit box is fully gasketed half-split design with flanged cover and body gasket with lead separator. Anti-corrosion coating on rotor prevents corrosion. Four quadrant drain locations on each endbell allow drainage of condensation in any mounting position. Stainless steel T-drains are provided to prevent liquids from splashing into the drain locations. Motors are shipped with a T-drain assembled in the six o'clock position on the opposite endshield. Another T-drain is shipped loose in the conduit box for installation at the lowest point of the shaft-end endshield. For a totally sealed motor, a spare pipe plug is included to replace the pre-installed T-drain.

Mechanical performance is further enhanced by over-sized bearings, heavy 12 gauge base, shaft-end bearing is locked internally to limit axial endplay, and specially designed shaft extension resists breakage at bearing journal.

Electrical Performance and Protection Features:

FHP Washguard SST full load efficiencies meet EPACT standards for non-exempt motors when tested without shaft seals. For extra moisture resistance, windings are immersed and cured in polyester insulating varnish. LEESON's exclusive IRIS™ Inverter-Rated Insulation System provides extra protection and long life, especially in inverter driven applications.

20:1 Constant Torque Operation

Standards and Approvals:

UL component recognized, file number E57948, guide number PRGY2. Energy efficiency ratings are verified by an independent testing laboratory.

CSA Energy Efficiency Verification Program, report number EEV 78720-1.

Construction is CSA Certified for safety report number LR33543. Motor is CE marked for European acceptance.



SINGLE-PHASE • TENV/TEFC • C FACE W/BASE

HP	RPM	NEMA Frame	Catalog Number	List Price	Disc. Sym.	App. Wgt. (lbs.)	Voltage	F.L. Amps 230V	% F.L. Eff.	"C" Dim. (Inches)
1/2	3600	56C	191474	\$493	A	29.5	115/208-230	3.1	11.1	
	1800	56C	191475	556	A	31.5	115/208-230	4.1	11.1	
3/4	3600	56C	191476	542	A	31.5	115/208-230	4.5	11.8	
	1800	56C	191477	642	A	39.0	115/208-230	4.9	11.8	
1	3600	56C	191478	638	A	39.0	115/208-230	6.2	12.3	
	1800	56C	191479	668	A	42.5	115/208-230	6.8	12.3	
1½	3600	56C	191480	701	A	42.5	115/208-230	8.8	13.2	
	1800	56C	191481	698	A	52.5	115/208-230	9.5	13.2	
2	3600	145TC	191482	906	A	64.5	115/208-230	10.8	14.2	
	1800	145TC	191483	887	A	64.5	115/208-230	9.0	14.2	

Numbers in green are EPACT motors.
Numbers in blue are available 3rd Quarter 2008.

All three phase motors, 1 HP and above, are inverter rated. Refer to page 5 for speed ranges.



THREE-PHASE • TENV/TEFC • C FACE WITH BASE

HP	RPM 60 Hz	NEMA Frame	Catalog Number	List Price	Disc. Sym.	App. Wgt. (lbs.)	Voltage	F.L. Amps 230V	% F.L. Eff.	"C" Dim. (Inches)
1/3	3450	56C	191200●	\$464	A	29	208-230/460	1.0	74.0	9.78
	1750	56C	191201●	519	A	30	208-230/460	1.3	78.5	9.78
1/2	3450	56C	191203●	474	A	32	208-230/460	1.5	77.0	9.78
	1750	56C	191204●	535	A	33	208-230/460	1.6	81.5	9.78
	1140	56C	191414●	582	A	36	208-230/460	2.0	78.5	9.76
3/4	3450	56C	191206●	521	A	33	208-230/460	2.0	78.5	9.78
	1750	56C	191207●	616	A	38	208-230/460	2.3	82.5	9.78
	1140	56C	191415●	670	A	49	208-230/460	3.0	80.0	11.30
1	3450	56HC	191209□	612	A	41	208-230/460	2.6	80.0	13.77
	3450	143TC	G191210	658	B	42	208-230/460	2.6	80.0	13.62
	1750	56C	191291●①	643	A	46	208-230/460	3.0	81.5	11.00
	1750	56HC	191211□	643	A	47	208-230/460	3.0	82.5	13.77
	1750	143TC	G191212	691	B	48	208-230/460	3.0	82.5	13.62
	1140	56HC	191417	700	A	49	208-230/460	3.8	82.5	13.10
1½	3450	56HC	191215□	675	A	48	208-230/460	3.8	82.5	13.77
	3450	143TC	G191216	726	B	49	208-230/460	3.8	82.5	13.62
	1750	56HC	191217□	670	A	48	208-230/460	4.8	84.0	13.77
	1750	145TC	G191218	719	B	49	208-230/460	4.8	84.0	13.62
	3450	56HC	191221□	748	A	49	208-230/460	5.0	84.0	13.77
	3450	145TC	G191222	870	B	50	208-230/460	5.0	84.0	13.62
2	1750	56HC	191223□	765	A	52	208-230/460	5.8	84.0	13.77
	1750	145TC	G191224	854	B	53	208-230/460	5.8	84.0	13.62
	3450	145TC	G191293	932	B	62	208-230/460	7.4	85.5	14.12

● These motors are totally enclosed, non-ventilated — Others are fan cooled.
□ Combination 56H base motors have mounting holes for NEMA 56 and NEMA 143-5T and a standard NEMA 56 shaft.
① 10:1 Constant Torque Operation



THREE-PHASE • TENV/TEFC • C FACE LESS BASE

HP	RPM 60 Hz	NEMA Frame	Catalog Number	List Price	Disc. Sym.	App. Wgt. (lbs.)	Voltage	F.L. Amps 230V	% F.L. Eff.	"C" Dim. (Inches)
1/3	1750	56C	191202●	\$516	A	30	208-230/460	1.3	78.5	9.78
1/2	1750	56C	191205●	528	A	33	208-230/460	1.6	81.5	9.78
	1140	56C	191419●	575	A	35	208-230/460	2.0	78.5	9.76
3/4	1750	56C	191208●	614	A	38	208-230/460	2.3	82.5	9.78
	1140	56C	191420●	668	A	47	208-230/460	3.0	80.0	11.30
1	1750	56C	191290●	641	A	45	208-230/460	3.0	81.5	11.00
	1750	56C	191213	641	A	47	208-230/460	3.0	82.5	13.77
	1750	143TC	191214	660	B	47	208-230/460	3.0	82.5	13.62
	1140	56C	191421	698	A	47	208-230/460	3.8	82.5	13.10
1½	1750	56C	191219	668	A	48	208-230/460	4.8	84.0	13.77
	1750	145TC	191220	687	B	48	208-230/460	4.8	84.0	13.62
2	1750	56C	191225	763	A	52	208-230/460	5.8	84.0	13.77
	1750	145TC	191226	785	B	52	208-230/460	5.8	84.0	13.62

● These motors are totally enclosed, non-ventilated — Others are fan cooled.

PREMIUM STAINLESS STEEL DUCK



General Specifications:

Designed specifically to meet the demanding sanitation requirements of the pharmaceutical, food processing and beverage industries. These motors are also ideal in clean room and severe chemical-processing applications involving frequent washdown with nitric acid and caustic lye. In fact, WASHGUARD All-Stainless Motors include IEEE 841 severe-duty features right out of the box! Motors have been tested to and passed the IEC IP-56 test requirements.

Mechanical Protection Features:

- All exterior components are 300-series stainless steel.
- Nothing on the motor's exterior is painted or coated in any way.
- All sealing components are Viton® for superior chemical resistance.
- Full fact nameplate is laser etched on the motor frame – no separately attached nameplate to trap dirt or contaminants.
- Endshields are O-ring sealed to the frame.
- Double lip shaft seals on both ends of TEFC motors (shaft end only on TENV motors).
- Removable hydrophobic breathers in opposite shaft endbell and conduit box equalize pressure without allowing moisture to enter.
- Exterior fastener use minimized reducing the number of entry points for moisture. There are no holes in the frame for attaching a nameplate. Bearing lock screws are located inside the motor and the conduit box mounted screws have been eliminated.
- Double-sealed bearings are pre-lubricated with moisture-resistant high-temperature grease for long life.
- Interior coatings applied to rotor and stator protect against corrosion.
- New conduit box mounting system provides optimum sealing.
- Ease to clean construction is BISSC Certified for bakery applications..

CHEMICAL RESISTANCE RATING CHART

CHEMICAL	CONCENTRATION	ALL STAINLESS COMPONENTS
WATER:		
De-Ionized Boiling	100%	Excellent
Salt (Immersed)	30%	Excellent
Salt (Spray)	5%	Excellent
Tap - 250°F/120°C @ 10,000 PSI	100%	Excellent
ACIDS:		
Hydrochloric	35%	Poor
Sulfuric	25%	Poor
Nitric	35%	Excellent
Picric	Saturated Solution	Excellent
BASE:		
Caustic	100%	Excellent
Caustic	12.5 pH	Excellent
Caustic - 125°F/50°C	9.5 pH	Excellent
SOLVENTS:		
	-	Excellent



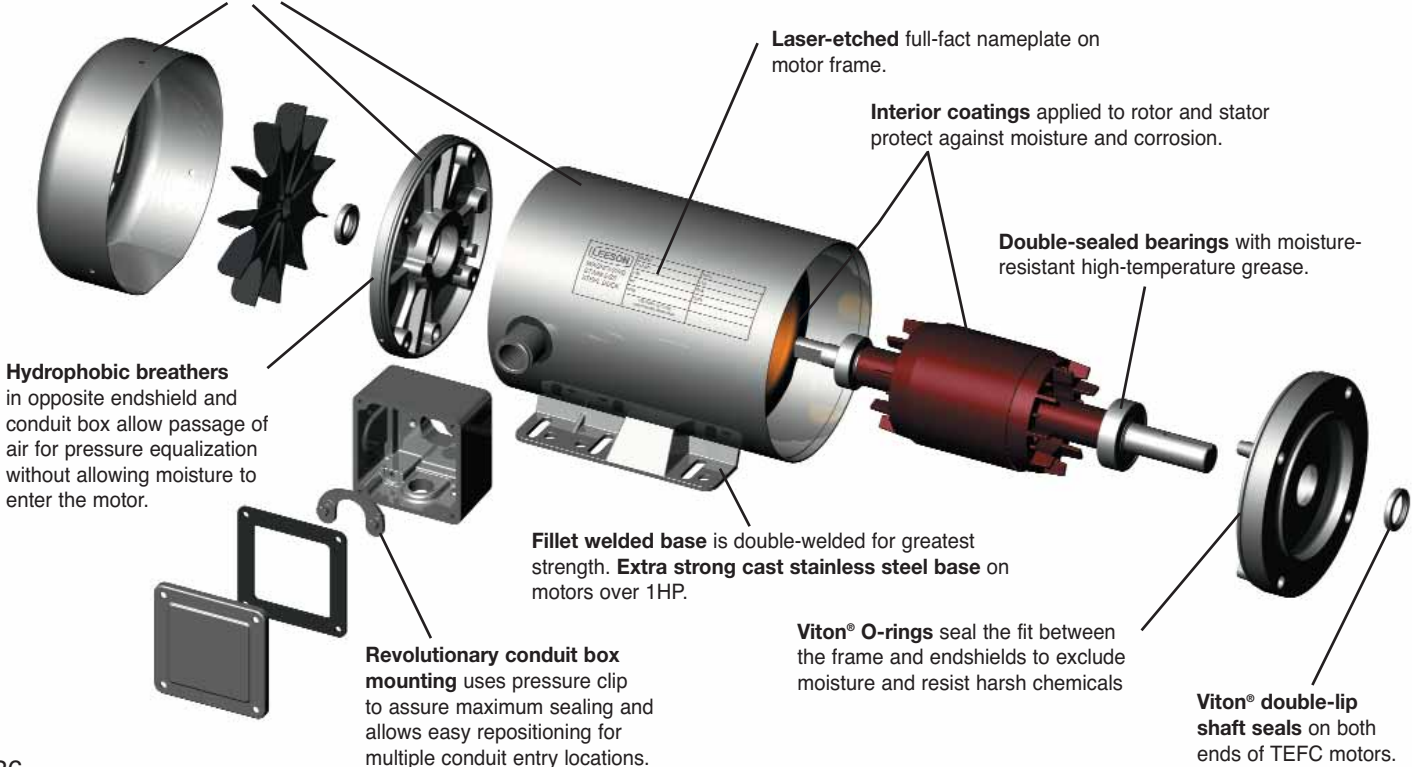
Electrical Performance and Protection Features

- WASHGUARD efficiencies meet EPACT mandates for non-exempt motors when tested without shaft seals.
- Windings are immersed and cured in polyester insulating varnish for extra moisture-resistance.
- LEESON's exclusive IRIS™ Inverter-Rated Insulation System provides extra protection and long life, especially in inverter-driven applications.
- Single-phase motors use Solid State Sinpac® switch – no mechanical switch contacts to corrode and fail.
- All Washdown Duty motors have Class F Insulation.

Standards and Approvals

- Single and three phase motors are UL component recognized – file number E57948, guide number PRGY2.
- CSA Energy Efficiency Verification Program, report number EEV 78720-1.
- Construction is CSA Certified for safety report number LR33543 and listed under BISSC authorization number 769.

300-Series stainless steel exterior components – frame, base, endshields, shaft extension, fan guard, hardware, conduit box and cover – for maximum corrosion resistance.





WASHGUARD ALL-STAINLESS MOTORS

ALL-STAINLESS • THREE PHASE



EXTREME DUCK

NEW!



General Specifications:

These Revolutionary Designed Stainless Steel Motors are built using our “Voice of the customer” design criteria to withstand extreme washdown and sanitation requirements of the food processing, pharmaceutical, packaging and beverage industries. Our Innovative Hydro Sealed System “HS” protects from the “outside-in” by reducing entrance points of contaminants and eliminates the need for drain plugs and breathers. This proven process also minimizes exterior hardware, which may trap application elements. Our unique Rotor/Cartridge Seal System, “Q-CAR” gives quick access to the interior of the motor should the need arise. 300-Series Stainless Steel used on all exterior surfaces gives ideal protection against severe chemical-processing applications and frequent washdown processes using Salt water, Nitric Acids and Solvents. These motors meet IEC IP-67 test requirements, though they are not designed to run immersed in water.

Mechanical Protection Features:

- All exterior components are 300-Series stainless steel
- Protech Bearing isolator used for the output shaft seal
- Double Lip Viton shaft seal used on non-drive output shaft on TEFC motors
- Minimal exterior fasteners due to no through-bolt design and screw on conduit box covers reduces surface areas that may trap contaminants
- Double-sealed bearings are pre-lubricated with moisture resistant, high temperature grease for long life
- Rotor/Cartridge, “Q-CAR,” design for quick access to motor interior (patent pending).
- O-ring sealed openings on conduit box covers and Rotor/Cartridge cover
- Rigid Cast Base for rugged applications
- Conduit box lead hole location rotatable on TEFC designs
- Full fact nameplate is laser etched to the motor frame making frame surface smooth, which eliminates areas that trap contaminants
- Ease of clean construction is BISSC certified for bakery applications and motors meet Pharmaceutical Duty specifications

Electrical Performance and Protection Features

- Motors meet EPACT mandates for non-exempt motors when tested without shaft seals
- Total winding encapsulation using an Epoxy Resin.
- LEESON’s exclusive IRIS™ Inverter-Rated Insulation System provides extra protection and long life, especially when used in applications driven by an Inverter.
- 3 year warranty
- 10:1 constant torque operation

Standards and Approvals

- Motors are UL component recognized – file number E57948, guide number PRGY2
- CSA Energy Efficiency Verification Program, report number EEV 78720-1
- Construction is CSA Certified for safety, report number LR33543 and listed under BISSC authorization number 769
- 3 year warranty



CHEMICAL RESISTANCE RATING CHART

CHEMICAL	CONCENTRATION	ALL STAINLESS COMPONENTS
WATER:		
De-ionized Boiling	100%	Excellent
Salt (Immersed)	30%	Excellent
Salt (Spray)	5%	Excellent
Tap - 250°F/120°C @ 10,000 PSI	100%	Excellent
ACIDS:		
Hydrochloric	35%	Poor
Sulfuric	25%	Poor
Nitric	35%	Excellent
Picric	Saturated Solution	Excellent
BASE:		
Caustic	100%	Excellent
Caustic	12.5 pH	Excellent
Caustic - 125°F/50°C	9.5 pH	Excellent
SOLVENTS:		
	-	Excellent

WASHGUARD ALL-STAINLESS MOTORS

ALL-STAINLESS • THREE PHASE



WASHGUARD



THREE PHASE • TENV/TEFC • C FACE WITH BASE

HP	RPM 60 Hz	NEMA Frame	Catalog Number	List Price	App. Wgt. (lbs.)	Voltage	F.L. Amps 230V	"C" Dim. (Inches)
1/2	3450	56C	117118●	\$1081	39	208-230/460	1.6	10.47
	1750	56C	117119●	1137	40	208-230/460	1.6	10.72
3/4	3450	56C	117120●	1118	46	208-230/460	2.4	10.47
	1750	56C	117121●	1181	47	208-230/460	2.3	11.22
1	3450	56C	117122●	1201	48	208-230/460	2.6	10.97
	1750	56C	117123●	1209	50	208-230/460	3.0	11.97
1½	3450	143TC	G121748	1275	54	208-230/460	4.0	11.00
	1750	145TC	G121749	1271	56	208-230/460	4.4	11.25
2	3450	145TC	G121739	1473	56	208-230/460	5.2	12.50
	1750	145TC	G121740	1489	57	208-230/460	5.6	12.50

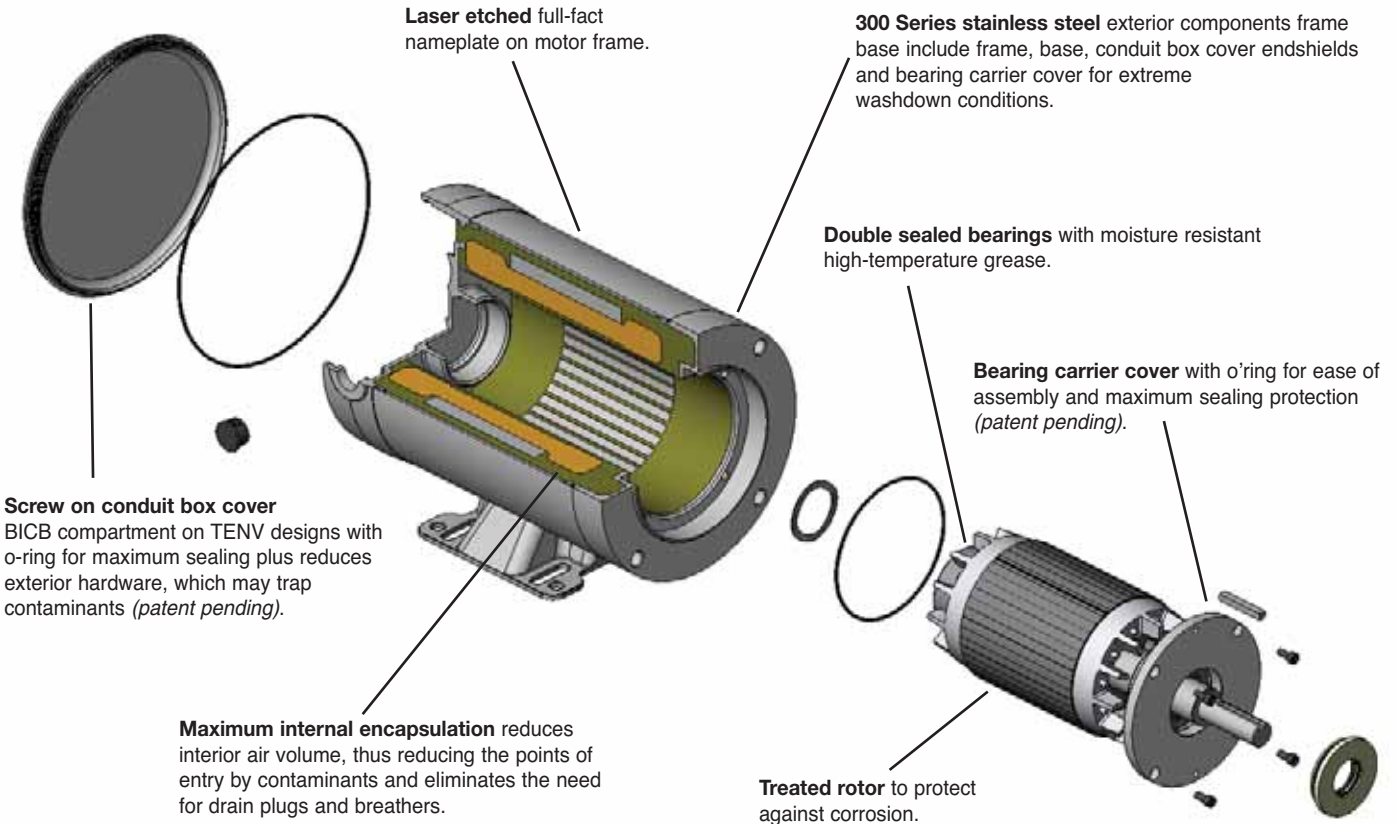
● These motors are totally enclosed, non-ventilated — Others are fan cooled.

Catalog numbers in green are EPACT motors.

THREE PHASE • TENV/TEFC • C FACE LESS BASE

HP	RPM 60 Hz	NEMA Frame	Catalog Number	List Price	App. Wgt. (lbs.)	Voltage	F.L. Amps 230V	"C" Dim. (Inches)
1/2	3450	56C	117126●	\$1060	38	208-230/460	1.6	10.47
	1750	56C	117127●	1116	39	208-230/460	1.6	10.72
3/4	3450	56C	117128●	1097	45	208-230/460	2.4	10.47
	1750	56C	117129●	1160	46	208-230/460	2.3	11.22
1	3450	56C	117130●	1180	47	208-230/460	2.6	10.97
	1750	56C	117131●	1188	50	208-230/460	3.0	11.97
1½	3450	143TC	121750	1254	53	208-230/460	4.0	11.00
	1750	145TC	121751	1250	55	208-230/460	4.4	11.25
2	3450	145TC	121742	1452	55	208-230/460	5.2	12.50
	1750	145TC	121743	1468	56	208-230/460	5.6	12.50

● These motors are totally enclosed, non-ventilated — Others are fan cooled.



LEESON[®] EXPLOSION-PROOF MOTORS

SINGLE PHASE

EXPLOSION-PROOF FOR HAZARDOUS LOCATIONS

Underwriters Laboratories and Canadian Standards Association Listed

General Specifications:

These explosion-proof motors are designed and approved for application in hazardous environments having certain explosive gases or materials present.

Features:

Rugged mechanical construction meeting all requirements for safety. UL and CSA listed.

Double shielded, pre-lubricated ball bearings are standard. All motors have inherent automatic overload protection. NEMA 1.0

Service Factor except as noted.

Explosion-proof conduit box included at no extra cost.

Capacitors on single phase designs are mounted inside the motor frame.

Division I areas are environments where a hazard is present continuously or would be subject to fire or explosion if the hazard was present as a result of an accident or uncommon occurrence.

Division II areas are environments where the threat of fire or explosion is not normally present and not likely to result in the event of an abnormal occurrence.

Application Notes:

These motors must be applied in accordance with the National Electrical Code, Article #500. A partial listing of explosive agents is noted below. Consult NFPA Publication 497M for a complete listing. Please note subheads above each column for qualifications of LEESON motors.

NOTE: No LEESON motors are listed for Class I, Group A or B.

Class I

Group A: Acetylene

Group B: Butadiene, ethylene oxide, hydrogen, propylene oxide, manufactured gases containing more than 30% hydrogen by volume.

Group C: Acetaldehyde, cyclopropane, diethyl ether, ethylene.

Group D: Acetone, acrylonitrile, ammonia, benzene, butane, ethanol, ethylene dichloride, gasoline, hexane, isoprene, methane (natural gas), methanol, naphtha, propane, propylene, styrene, toluene, vinyl acetate, vinyl chloride, xylene.

Class II

Group E: Aluminum, magnesium and other metal dusts with similar characteristics.

Group F: Carbon black, coke or coal dust.

Group G: Flour, starch or grain dust.



SINGLE PHASE • RIGID BASE

DIVISION I, DIVISION II, CLASS I, GROUPS C & D—
CLASS II, GROUPS F & G • W/CONDUIT BOX

HP	RPM 60 Hz	NEMA Frame	Catalog Number	List Price	Disc. Sym.	App. Wgt. (lbs.)	Voltage	Over- load Prot.	F.L. Amps 230V	% F.L. Eff.	"C" Dim. (Inches)
1/3	1725	56	111074●	\$593	A	35	115/208-230	Auto.	2.9	63.0	12.38
1/2	1725	56H	111084□	621	A	41	115/208-230	Auto.	4.4	65.0	13.94
3/4	1725	56H	110934□	732	A	46	115/208-230	Auto.	5.5	70.0	14.44
1	1725	56H	110961□	833	A	47	115/208-230	Auto.	6.7	75.0	14.44

SINGLE PHASE • C FACE LESS BASE

DIVISION I, DIVISION II, CLASS I, GROUPS C & D—
CLASS II, GROUPS F & G • W/CONDUIT BOX

HP	RPM 60 Hz	NEMA Frame	Catalog Number	List Price	Disc. Sym.	App. Wgt. (lbs.)	Voltage	Over- load Prot.	F.L. Amps 230V	% F.L. Eff.	"C" Dim. (Inches)
1/3	3450	56C	111095●	\$593	A	38	115/208-230	Auto.	2.2	65.0	12.88
	1725	56C	111075●	621	A	41	115/208-230	Auto.	2.9	70.0	12.37
1/2	3450	56C	111098	598	A	35	115/208-230	Auto.	4.2	63.0	13.44
	3450	56J	116188	565	A	35	115/208-230	Auto.	3.8	63.0	13.96
1/2	1725	56C	111085	689	A	45	115/208-230	Auto.	4.4	65.0	13.94
	3450	56C	111097	642	A	40	115/208-230	Auto.	5.0	64.0	13.96
3/4	3450	56J	116186	636	A	40	115/208-230	Auto.	5.0	64.0	14.46
	1725	56C	111086	765	A	50	115/208-230	Auto.	5.5	70.0	14.44
1	3450	56C	111096	689	A	49	115/208-230	Auto.	6.2	70.0	14.44
	3450	56J	116185	683	A	49	115/208-230	Auto.	6.0	70.0	14.96
1	1725	56C	110852	872	A	53	115/208-230	Auto.	6.7	75.0	14.44
	3450	56C	114424	988	A	44	115/208-230	Auto.	8.5	72.0	14.96
1 1/2	3450	56J	116183	875	A	54	115/208-230	Auto.	8.5	72.0	15.46
	2	3450	56C	114425	1215	A	54	115/208-230	Auto.	10.5	74.0
2	3450	56J	116181	952	A	54	115/208-230	Auto.	10.5	74.0	16.46

SINGLE PHASE • C FACE WITH BASE

DIVISION I, DIVISION II, CLASS I, GROUPS C & D—
CLASS II, GROUPS F & G • W/CONDUIT BOX

HP	RPM 60 Hz	NEMA Frame	Catalog Number	List Price	Disc. Sym.	App. Wgt. (lbs.)	Voltage	Over- load Prot.	F.L. Amps 230V	% F.L. Eff.	"C" Dim. (Inches)
1/3	3450	56C	116605	\$612	A	39	115/208-230	Auto.	2.6	65.0	13.46
	1725	56C	116606	640	A	42	115/208-230	Auto.	3.3	62.0	13.44
	1140	56C	116607□	732	A	45	115/208-230	Auto.	3.9	58.0	14.96
1/2	3450	56C	116608□	618	A	36	115/208-230	Auto.	3.8	63.0	13.46
	1725	56C	116609□	709	A	46	115/208-230	Auto.	4.4	66.0	13.94
	1140	56HC	116610□	795	A	56	115/208-230	Auto.	4.7	64.0	15.46
3/4	3450	56C	116611□	661	A	41	115/208-230	Auto.	5.3	65.0	13.94
	1725	56C	116612□	785	A	51	115/208-230	Auto.	5.5	70.0	14.44
1	3450	56C	116613□	709	A	50	115/208-230	Auto.	6.3	70.0	14.44
	1725	56C	116614□	864	A	54	115/208-230	Auto.	6.7	75.0	14.44
1 1/2	3450	56C	116615□	1007	A	45	115/208-230	Auto.	8.5	72.0	14.96
2	3450	56C	116616□	1233	A	58	115/208-230	Auto.	10.5	74.0	15.96

- These motors are totally enclosed, non-ventilated — others are fan cooled.
- 56H & 56HC motors have bases with mounting holes for NEMA 56 and NEMA 143-5T and a standard NEMA 56C face and 5/8" shaft.

EXPLOSION-PROOF FOR HAZARDOUS LOCATIONS

Underwriters Laboratories and Canadian Standards Association Listed

General Specifications:

These explosion-proof motors are designed and approved for application in hazardous environments having certain explosive gases or materials present.

Features:

Rugged mechanical construction meeting all requirements for safety. UL and CSA listed.

Double shielded, pre-lubricated ball bearings are standard. All motors have inherent automatic overload protection. NEMA 1.0 Service Factor except as noted.

Explosion-proof conduit box included at no extra cost.

Normally-closed thermostats are standard on cast iron motors.

Division I areas are environments where a hazard is present continuously or would be subject to fire or explosion if the hazard was present as a result of an accident or uncommon occurrence.

Division II areas are environments where the threat of fire or explosion is not normally present and not likely to result in the event of an abnormal occurrence.

Application Notes:

These motors must be applied in accordance with the National Electrical Code, Article #500. A partial listing of explosive agents is noted below. Consult NFPA Publication 497M for a complete listing. Please note subheads above each column for qualifications of LEESON motors.

NOTE: No LEESON motors are listed for Class I, Group A or B.

Class I

Group A: Acetylene

Group B: Butadiene, ethylene oxide, hydrogen, propylene oxide, manufactured gases containing more than 30% hydrogen by volume.

Group C: Acetaldehyde, cyclopropane, diethyl ether, ethylene.

Group D: Acetone, acrylonitrile, ammonia, benzene, butane, ethanol, ethylene dichloride, gasoline, hexane, isoprene, methane (natural gas), methanol, naphtha, propane, propylene, styrene, toluene, vinyl acetate, vinyl chloride, xylene.

Class II

Group E: Aluminum, magnesium and other metal dusts with similar characteristics.

Group F: Carbon black, coke or coal dust.

Group G: Flour, starch or grain dust.

EXCEPT AS NOTED, STEEL FRAME EXPLOSION-PROOF MOTORS ARE *NOT* INVERTER-RATED AND MUST *NOT* BE USED WITH AN INVERTER



THREE PHASE • RIGID BASE

**DIVISION I, DIVISION II, CLASS I, GROUPS C & D—
CLASS II, GROUPS F & G • W/CONDUIT BOX**

HP	RPM 60 Hz	NEMA Frame	Catalog Number	List Price	Disc. Sym.	App. Wgt. (lbs.)	Voltage	Over- load Prot.	F.L. Amps 230V	% F.L. Eff.	"C" Dim. (Inches)
1/3	1725	56	111932▲●	\$575	A	33	208-230/460	Auto.	1.3	76.0	10.88
	1140	56H	111940▲●	825	A	39	208-230/460	Auto.	1.5	70.0	12.38
1/2	3450	56	111934▲●	657	A	39	208-230/460	Auto.	1.6	82.5	12.38
	1725	56	111929▲●	597	A	32	208-230/460	Auto.	1.7	75.0	11.38
3/4	3450	56	111938▲□	874	A	44	208-230/460	Auto.	2.0	71.0	13.97
	1725	56	111937▲	687	A	37	208-230/460	Auto.	3.2	75.5	13.94
1	3450	56	111923▲	693	A	38	208-230/460	Auto.	3.0	75.0	13.94
	1725	56H	111922▲□	754	A	45	208-230/460	Auto.	3.6	77.0	13.94
1½	3450	143T	G120489▲	739	B	46	208-230/460	Auto.	4.0	82.5	14.41
	1725	145T	G120490	823	B	56	208-230/460	Auto.	4.4	84.0	14.41
2	3450	145T	G120491▲	761	B	51	208-230/460	Auto.	5.2	84.0	15.41
	1725	145T	G120391	912	B	56	208-230/460	Auto.	5.6	84.0	15.41
3	3450	145T	G120387	899	B	51	208-230/460	Auto.	7.4	85.5	15.91

- ▲ These motors are satisfactory for operation on 50 Hz power supply at full rated horsepower.
- These motors are totally enclosed, non-ventilated — Others are fan cooled.
- Combination 56H base motors have mounting holes for NEMA 56 and NEMA 143-5T and a standard NEMA 56 shaft.

THREE PHASE • C FACE LESS BASE

**DIVISION I, DIVISION II, CLASS I, GROUPS C & D—
CLASS II, GROUPS F & G • W/CONDUIT BOX**

HP	RPM 60 Hz	NEMA Frame	Catalog Number	List Price	Disc. Sym.	App. Wgt. (lbs.)	Voltage	Over- load Prot.	F.L. Amps 230V	% F.L. Eff.	"C" Dim. (Inches)
1/3	3450	56C	111944●+	\$686	A	36	208-230/460	Auto.	1.2	77.0	11.88
	1725	56C	111931▲●	738	A	29	208-230/460	Auto.	1.2	76.0	11.97
1/2	3450	56C	111933+●⚡	716	A	33	208-230/460	Auto.	1.6	82.5	12.38
	3450	56J	116187●+	698	A	33	208-230/460	Auto.	1.6	82.5	12.87
3/4	1725	56C	111930▲●	781	A	34	208-230/460	Auto.	1.7	75.0	11.37
	3450	56C	111936+	738	A	27	208-230/460	Auto.	2.4	75.5	12.96
1	1725	56C	111935▲	794	A	36	208-230/460	Auto.	3.0	75.0	13.94
	3450	56C	111943+	772	A	30	208-230/460	Auto.	3.2	77.0	12.96
1½	3450	56J	116184+	752	A	33	208-230/460	Auto.	3.2	77.0	13.46
	1725	56C	111926▲	833	A	46	208-230/460	Auto.	3.6	78.0	13.94
2	3450	56C	111939+	878	A	48	208-230/460	Auto.	4.2	81.5	13.96
	3450	56J	116182+	770	A	48	208-230/460	Auto.	4.2	81.5	14.46
3	1725	56C	111941	896	A	46	208-230/460	Auto.	4.4	80.0	13.96
	3450	56C	113971+	982	A	50	208-230/460	Auto.	5.6	82.5	14.46
5	3450	56J	116180+	805	A	50	208-230/460	Auto.	5.6	82.5	14.96
	1725	145TC	121178	970	B	50	208-230/460	Auto.	5.6	84.0	15.02
5	3450	56C	114419Ⓧ	1092	A	54	208-230/460	Auto.	7.6	84.0	14.96
	1740	182TC	158003Ⓧ	1128	C	91	230/460	T-Stat	8.8	80.0	15.62
5	1740	184TC	158005Ⓧ	1292	C	110	230/460	T-Stat	13.4	82.5	16.12

- Ⓧ Catalog #114419 is approved for Class I, Group C & D — Class II, Group F service only.
- Ⓧ Explosion-proof motors are Class I, Group D—Class II, Groups F & G.

- ▲ These motors are satisfactory for operation on 50 Hz power supply at full rated horsepower.
- These motors are totally enclosed, non-ventilated — Others are fan cooled.
- ⚡ These motors have 1.15 Service Factors.
- + Consult factory for 50 Hz derate.

SHADED FRAME INDICATES CAST IRON CONSTRUCTION

SEE PAGE 38 FOR INVERTER-RATED STEEL FRAME EXPLOSION-PROOF MOTORS

Catalog numbers in green are EPACT motors.

LEESON® EXPLOSION-PROOF MOTORS

THREE PHASE • C FACE

EXPLOSION-PROOF FOR HAZARDOUS LOCATIONS

Underwriters Laboratories and Canadian Standards Association Listed

General Specifications:

These explosion-proof motors are designed and approved for application in hazardous environments having certain explosive gases or materials present.

Features:

Rugged mechanical construction meeting all requirements for safety. UL and CSA listed.

Double shielded, pre-lubricated ball bearings are standard. All motors have inherent automatic overload protection. NEMA 1.0 Service Factor except as noted.

Explosion-proof conduit box included at no extra cost.

Division I areas are environments where a hazard is present continuously or would be subject to fire or explosion if the hazard was present as a result of an accident or uncommon occurrence.

Division II areas are environments where the threat of fire or explosion is not normally present and not likely to result in the event of an abnormal occurrence.

Application Notes:

These motors must be applied in accordance with the National Electrical Code, Article #500. A partial listing of explosive agents is noted below. Consult NFPA Publication 497M for a complete listing. Please note subheads above each column for qualifications of LEESON motors.

NOTE: No LEESON motors are listed for Class I, Group A or B.

Class I

Group A: Acetylene

Group B: Butadiene, ethylene oxide, hydrogen, propylene oxide, manufactured gases containing more than 30% hydrogen by volume.

Group C: Acetaldehyde, cyclopropane, diethyl ether, ethylene.

Group D: Acetone, acrylonitrile, ammonia, benzene, butane, ethanol, ethylene dichloride, gasoline, hexane, isoprene, methane (natural gas), methanol, naphtha, propane, propylene, styrene, toluene, vinyl acetate, vinyl chloride, xylene.

Class II

Group E: Aluminum, magnesium and other metal dusts with similar characteristics.

Group F: Carbon black, coke or coal dust.

Group G: Flour, starch or grain dust.

EXCEPT AS NOTED, STEEL FRAME EXPLOSION-PROOF MOTORS ARE NOT INVERTER-RATED AND MUST NOT BE USED WITH AN INVERTER



THREE PHASE • C FACE WITH BASE

DIVISION I, DIVISION II, CLASS I, GROUPS C & D—
CLASS II, GROUPS F & G • W/CONDUIT BOX

HP	RPM 60 Hz	NEMA Frame	Catalog Number	List Price	Disc. Sym.	App. Wgt. (lbs.)	Voltage	Over- load Prot.	FL Amps 230V	% FL Eff.	"C" Dim. (Inches)
1/3	3450	56C	114625▲●	\$693	A	33	208-230/460	Auto.	1.2	77.0	11.88
	1725	56C	114626▲●	750	A	38	208-230/460	Auto.	1.3	76.0	10.87
1/2	3450	56C	114627▲●★	723	A	35	208-230/460	Auto.	1.6	82.5	12.38
	1725	56C	114628▲●	784	A	35	208-230/460	Auto.	1.7	75.0	11.37
	1725	56C	116190◆	984	A	34	208-230/460	T-Stat	2.4	68.0	13.44
3/4	3450	56C	114629▲	747	A	33	208-230/460	Auto.	2.4	75.5	12.96
	1725	56C	114630▲	799	A	42	208-230/460	Auto.	2.6	75.0	12.46
	1725	56C	116191◆	1006	A	38	208-230/460	T-Stat	3.0	75.5	13.44
1	3450	56C	114631▲	781	A	34	208-230/460	Auto.	3.2	77.0	12.96
	1725	56C	114632▲	848	A	47	208-230/460	Auto.	3.4	78.0	13.96
	1725	143TC	G121541◆	1120	B	44	208-230/460	T-Stat	3.0	82.5	14.50
1½	3450	56C	114633▲	886	A	42	208-230/460	Auto.	4.2	81.5	13.96
	1725	56C	114634	907	A	45	208-230/460	Auto.	4.4	80.0	13.96
	1725	145TC	G121542◆	1162	B	54	208-230/460	T-Stat	4.4	84.0	16.00
2	3450	56C	114635▲	877	A	51	208-230/460	Auto.	5.6	78.8	14.46
	1740	145TC	G121182	978	B	58	208-230/460	Auto.	5.6	84.0	15.02
	1725	145TC	G121543◆	1271	B	65	208-230/460	T-Stat	5.6	84.0	16.50
3	3450	56C	114636③	1100	A	62	208-230/460	Auto.	7.6	84.0	14.96

③ Catalog #114636 is approved for Class I, Group C & D – Class II, Group F service only.

▲ These motors are satisfactory for operation on 50 Hz power supply at full rated horsepower.

● These motors are totally enclosed, non-ventilated — Others are fan cooled.

★ These motors have 1.15 Service Factors.

◆ These motors are inverter-rated and suitable for use with an inverter. Others are not!

C FACE WITH RIGID BASE • THREE PHASE CAST IRON FRAME

DIVISION I, DIVISION II, CLASS I, GROUP D—CLASS II, GROUPS F & G
WITH CONDUIT BOX AND NORMALLY-CLOSED THERMOSTATS

HP	RPM 60 Hz	NEMA Frame	Catalog Number	List Price	Disc. Sym.	App. Wgt. (lbs.)	Voltage	FL Amps 460 V.	% FL Eff.	"C" Dim. (Inches)
3	3450	182TC	G850587★	\$1121	C	90	230/460	3.8	85.5	17.12
	1750	182TC	G850617★	1121	C	91	230/460	4.0	87.5	17.12
5	3450	184TC	G850588★	1197	C	125	230/460	6.2	87.5	17.12
	1750	184TC	G850618★	1197	C	125	230/460	6.3	87.5	17.12
7½	3450	213TC	G850589★	1796	C	138	230/460	9.5	88.5	20.18
	1750	213TC	G850619★	1778	C	138	230/460	10.0	89.5	20.18
10	3450	215TC	G850590★	1886	C	155	230/460	12.0	89.5	20.18
	1750	215TC	G850620★	1872	C	155	230/460	13.0	91.0	20.18
15	3450	254TC	G850591★	2471	C	238	230/460	18.0	90.2	23.52
	1750	254TC	G850621★[H]	2897	C	238	230/460	19.5	91.0	23.52
20	3450	256TC	G850592★[H]	3320	C	263	230/460	23.0	90.2	25.27
	1750	256TC	G850622★[H]	3302	C	263	230/460	25.0	91.0	25.27
25	3450	284TSC	G850593★[H]	3438	C	365	230/460	29.0	91.0	24.94
	1750	284TC	G850623★[H]	3400	C	366	230/460	31.5	92.4	26.30
30	1750	286TC	G850624★[H]	3862	C	385	230/460	37.0	92.4	27.80
40	1750	324TC	G850625★[H]	5020	C	550	230/460	51.5	93.0	28.87
50	1750	326TC	G850626 [H]	6178	C	570	230/460	61.5	93.0	30.37

★ These motors have 1.15 Service Factors.

[H] Explosion-proof motors are Class I, Groups C & D—Class II, Groups F & G.

SHADED FRAME INDICATES CAST IRON CONSTRUCTION

Catalog numbers in green are EPACT motors.

EXPLOSION-PROOF FOR HAZARDOUS LOCATIONS

Underwriters Laboratories and Canadian Standards Association Listed



General Specifications:

These explosion-proof motors are designed and approved for application in hazardous environments having certain explosive gases or materials present.

Features:

Rugged mechanical construction meeting all requirements for safety. UL and CSA listed.

Double shielded, pre-lubricated ball bearings are standard. All motors have inherent automatic overload protection. NEMA 1.15 service factor except as noted.

Explosion-proof conduit box included at no extra cost. Normally-closed thermostats are standard on cast iron motors.

Division I areas are environments where a hazard is present continuously or would be subject to fire or explosion if the hazard was present as a result of an accident or uncommon occurrence.

Division II areas are environments where the threat of fire or explosion is not normally present and not likely to result in the event of an abnormal occurrence.

Application Notes:

These motors must be applied in accordance with the National Electrical Code, Article #500. A partial listing of explosive agents is noted below. Consult NFPA Publication 497M for a complete listing. Please note headings and footnotes for qualifications of specific LEESON motors.

NOTE: No LEESON motors are listed for Class I, Group A or B.

Class I

Group A: Acetylene

Group B: Butadiene, ethylene oxide, hydrogen, propylene oxide, manufactured gases containing more than 30% hydrogen by volume.

Group C: Acetaldehyde, cyclopropane, diethyl ether, ethylene.

Group D: Acetone, acrylonitrile, ammonia, benzene, butane, ethanol, ethylene dichloride, gasoline, hexane, isoprene, methane (natural gas), methanol, naphtha, propane, propylene, styrene, toluene, vinyl acetate, vinyl chloride, xylene.

Class II

Group E: Aluminum, magnesium and other metal dusts with similar characteristics.

Group F: Carbon black, coke or coal dust.

Group G: Flour, starch or grain dust.

THREE PHASE • CAST IRON FRAME • RIGID BASE

DIVISION I, DIVISION II, WITH CONDUIT BOX AND NORMALLY CLOSED THERMOSTATS

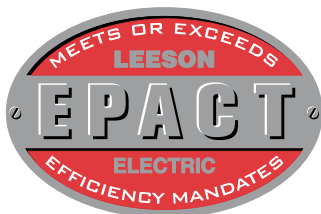
EXPLOSION-PROOF MOTORS ARE CLASS I, GROUPS C & D—CLASS II, GROUPS F&G • ALL RATINGS ARE INVERTER RATED

HP	RPM 60 Hz	NEMA Frame	Catalog Number	List Price	Disc. Sym.	App. Wgt. (lbs.)	Voltage	F.L. Amps 460V	% F.L. Eff.	"C" Dim. (Inches)
3	1760	182T	G158362	\$1064	C	100	230/460	4.2	87.5	17.12
5	3475	184T	G158319	1121	C	110	230/460	6.2	87.5	17.12
	1745	184T	G158366	1102	C	120	230/460	6.5	87.5	17.12
7½	3530	213T	G158158	1719	C	175	230/460	9.5	88.5	20.91
	1760	213T	G158157	1700	C	138	230/460	10.0	89.5	19.66
10	3535	215T	G158159	1804	C	190	230/460	12.0	89.5	20.91
	1765	215T	G158140	1796	C	155	230/460	12.5	89.5	20.91
15	3520	254T	G158000	2432	C	325	230/460	18.0	90.2	23.52
	1765	254T	G158001	2422	C	375	230/460	19.5	91.0	23.52
20	3525	256T	G825039	2549	C	375	230/460	23.5	90.2	25.27
	1765	256T	G158010	2530	C	263	230/460	25.0	91.0	25.27
25	3525	284TS	G825046	3289	C	400	230/460	29.0	91.0	24.94
	1770	284T	G825047	2954	C	366	230/460	31.5	92.4	26.30
30	3515	286TS	G825040	3545	C	450	230/460	35.0	91.0	26.44
	1760	286T	G825041	3423	C	450	230/460	37.0	92.4	27.80
40	3550	324TS	G825042	4773	C	500	230/460	45.5	91.7	27.37
	1770	324T	G825043 ♣	4557	C	525	230/460	51.5	93.0	28.87
50	3550	326TS	G825044	6168	C	570	230/460	57.0	92.4	28.87
	1765	326T	G825045 ♣	5550	C	570	230/460	61.5	93.0	30.37
60	3560	364TS	G825001 ♣	8813	C	875	230/460	70.5	93.0	29.38
	1775	364T	G825002 ♣	8064	C	975	230/460	72.0	93.6	31.50
75	3555	365TS	G825004	10184	C	1000	230/460	84.0	93.6	30.38
	1780	365T	G825005	9919	C	1025	230/460	86.0	94.1	32.50
100	3565	405TS	G825007	13777	C	1150	230/460	112.0	94.1	34.12
	1780	405T	G825008	12196	C	1300	230/460	114.0	94.5	37.12
125	3565	444TS	G825010	19018	C	1750	230/460	136.0	94.5	37.50
	1780	444T	G825011	15754	C	1800	460	143.0	94.5	41.25
150	3570	445TS	G825013	22259	C	2050	460	167.0	95.0	37.50
	1785	445T	G825014	18623	C	2050	460	172.0	95.0	43.19
200	3570	445TS	G825016 ♣	27162	C	2300	460	222.0	95.0	37.50
	1785	445T	G825017	22011	C	2250	460	225.0	95.0	43.19
250	3570	449TS	825019.99 ⓐ♣29978		C	2450	460	280.0	95.0	47.97
	1785	449T	825020.99 ⓐ♣24772		C	2600	460	290.0	95.0	51.69

These explosion-proof motors are not designed for vertical mounting.

ⓐ Explosion-proof motors are Class I, Group D—Class II, Groups F & G.

♣ 1.0 Service Factor



QUICK REFERENCE

EXPLOSION-PROOF DC MOTORS	Page 82
EXPLOSION-PROOF G-SERIES DIMENSIONS	313
EXPLOSION-PROOF 158 SERIES DIMENSIONS	312

SHADED FRAME INDICATES CAST IRON CONSTRUCTION

Catalog numbers in green are EPACT motors.



BRAKEMOTORS

Fail-safe positive, stop and hold brakemotors. Brakes are spring set. Load is stopped automatically when power is turned off. LEESON brakemotors feature a power off manual release for convenience, and for use in case of a power failure. The manual release resets automatically. The standard brake is manufactured by Stearns. The brake

coil leads are brought into the conduit box of the motor for easy connection and may be connected to operate when power to the motor is shut off, or to be actuated independent of power to the motor. Three phase motors have brake coils rated 230/460 VAC, 60 Hz. Single phase brake coils are 115/230 VAC, 60 Hz.



SINGLE PHASE • TENV/TEFC • C FACE WITH BASE

HP	RPM 60 Hz	NEMA Frame	Brake Rating (ft-lbs)	Catalog Number	List Price	Disc. Sym.	App. Wgt. (lbs.)	Voltage	Over- load Prot.	FL Amps 230V	"C" Dim. (Inches)
1/3	1725	56C	3	114165 ●	\$731	A	28	115/208-230	None	2.9	14.06
1/2	1725	56C	3	111950	791	A	32	115/208-230	None	4.4	15.06
3/4	1725	56C	6	114167	1040	A	38	115/208-230	None	5.4	15.56
1	1725	56C	6	111951 ☆	1102	A	38	115/208-230	None	5.3	16.07

● These motors are totally enclosed, non-ventilated – Others are fan cooled.

☆ Capacitor start/capacitor run design for reduced amperage, others are capacitor start/induction run.

THREE PHASE • DRIP-PROOF • RIGID BASE

HP	RPM 60 Hz	NEMA Frame	Brake Rating (ft-lbs)	Catalog Number	List Price	Disc. Sym.	App. Wgt. (lbs.)	Voltage	FL Amps 230V	% FL Eff.	"C" Dim. (Inches)
1/2	1725	56	3	114162	\$713	A	28	208-230/460	2.0	74.0	13.56
3/4	1725	56	6	114163	832	A	29	208-230/460	2.8	77.0	14.06
1	1725	56	6	114164	905	A	32	208-230/460	4.2	78.5	14.06
1 1/2	1725	145T	10	G120370	1039	B	44	208-230/460	4.4	84.0	16.00
2	1725	145T	10	G120371	1179	B	45	208-230/460	6.0	84.0	16.00
3	1740	182T	15	G131626	1455	B	65	208-230/460	8.4	86.5	16.89
5	1740	184T	25	G131627	1829	B	95	208-230/460	13.2	87.5	17.89
7 1/2	1760	213T	35	G140611	2236	B	130	208-230/460	20.0	88.5	23.01
10	1760	215T	50	G140635	2831	B	138	208-230/460	28.0	89.5	25.01

All 180 and 210 frame Rolled Steel motors have Class F Insulation.



THREE PHASE • DRIP-PROOF • C FACE LESS BASE

HP	RPM 60 Hz	NEMA Frame	Brake Rating (ft-lbs)	Catalog Number	List Price	Disc. Sym.	App. Wgt. (lbs.)	Voltage	FL Amps 230V	% FL Eff.	"C" Dim. (Inches)
1/2	1725	56C	3	114156	\$731	A	28	208-230/460	2.0	74.0	13.56
3/4	1725	56C	6	114157	853	A	38	208-230/460	2.8	77.0	14.06
1	1725	56C	6	114166	922	A	40	208-230/460	3.4	78.5	14.06
	1725	143TC	6	121678	922	B	42	208-230/460	3.4	78.5	14.50
1 1/2	1725	145TC	10	120372	1073	B	43	208-230/460	5.6	78.5	15.50
	1725	56C	10	116766	1073	A	43	208-230/460	5.6	78.5	15.50
2	1725	145TC	10	120373	1209	B	47	208-230/460	6.2	78.5	16.00
3	1740	182TC	15	131624	1521	B	56	208-230/460	10.0	80.0	16.40
5	1740	184TC	25	131625	1888	B	76	208-230/460	14.2	84.0	17.35

THREE PHASE • DRIP-PROOF • C FACE WITH BASE

HP	RPM 60 Hz	NEMA Frame	Brake Rating (ft-lbs)	Catalog Number	List Price	Disc. Sym.	App. Wgt. (lbs.)	Voltage	FL Amps 230V	% FL Eff.	"C" Dim. (Inches)
1/2	1725	56C	3	111326	\$740	A	31	208-230/460	2.0	74.0	13.56
3/4	1725	56C	6	111327	865	A	34	208-230/460	2.8	77.0	14.06
1	1725	56C	6	111328	934	A	42	208-230/460	4.2	78.5	14.06
1 1/2	1725	145TC	10	G121053	1076	B	42	208-230/460	4.4	84.0	16.00
2	1725	145TC	10	G121054	1209	B	51	208-230/460	6.0	84.0	16.50
3	1740	182TC	15	G131558	1674	B	84	208-230/460	8.4	86.5	16.90
5	1740	184TC	25	G131559	2040	B	97	208-230/460	13.2	87.5	18.35
7 1/2	1760	213TC	35	G140610	2377	B	115	208-230/460	20.0	88.5	23.51
10	1760	215TC	50	G140638	4010	B	125	208-230/460	28.0	89.5	25.01

Catalog numbers in green are EPACT motors.



LEESON BRAKEKITS

Kit of components to convert 56 through 256T frame stock TEFC motors to fail-safe brakemotors.

Kit mounts on fan end of motor. Kits for 56-184T steel frame motors include totally enclosed Stearns AC brake, replacement cast fan cover, shaft extension, fan and hardware. Kits for 213T-256T cast iron frame motors **do not include brake**, but are designed for Stearns 87,000 series brake.

Two 1/2" NPT holes with 18" leads are provided for connections. The BRAKEKIT adds 5 1/8" to the overall length of 56 and 143-5T frame, and 5 7/8" to the overall length of 182-184T frame.

BRAKEKITS

Brake Rating (ft-lbs)	Mounts to NEMA Frame	Max. HP @ 1725rpm	Cat. No.	Cat. No.	Cat. No.	List Price	Disc. Sym.	App. Wt. (lbs.)
			115-208/230 V Brake Coil Voltage	208-230/460 V Brake Coil Voltage	575 V Brake Coil Voltage			
3	48/S56	1	—	175615 ^①	—	\$510	A	10
3	56/143-5T	1	175659 175762 ^②	175139 175765 ^②	175177 175768 ^②	510	A	10
6	56/143-5T	2	175660 175763 ^②	175140 175766 ^②	175178 175769 ^②	586	A	10
10	56/143-5T	3	175662 175764 ^②	175141 175767 ^②	175179 175770 ^②	671	A	10
15	182-4T	3	—	175696	175698	1252	B	12
25	182-4T	5	—	175697	175699	1420	B	12

- 56/143-5T frame Brakekits cannot be used on S56 frame motors.
- Use the 182-4T frame Brakekits on motors having catalog numbers with a "G" prefix or that are 131454 or higher.
- 182-4T frame Brakekits can also be used on single-phase 4-pole (1725RPM) motors, but can only be connected for 208-230V. All brake coils are single phase.

① For motors having a "P" for the suffix letter on the date code and having a face mount fan guard.
 ② For 56/145 frame motors having a "B" for the suffix letter for the date code and having a face mount fan guard.

BRAKE ADAPTER KITS

Brake Rating (ft-lbs)	Mounts to NEMA Frame	Max. HP @ 1725rpm	Catalog Number	List Price	Disc. Sym.	App. Wt. (lbs.)
6-105	213-5T	10	175710	\$246	C	30
6-105	254-6T	20	175711	349	C	40

- Brake Adapter Kits include adapter casting/fan guard, brake fan, adapter shaft and hardware needed to mount a Stearns® 87,000 series brake (sold separately by Stearns®).
- Shaded frame sizes are for use with cast iron motors.



WASHGUARD Brakekits have the same convenient assembly method as general purpose models.

BRAKEKITS FOR WASHGUARD MOTORS

Kit of components including a Stearns NEMA 4X brake to convert 56 thru 145T frame stock TEFC only motors to fail-safe brakemotors. Food safe white epoxy finish. BISSC Certified. Adds 5 1/8" to the overall length of 56 thru 145T WASHGUARD TEFC motors.

WASHGUARD BRAKEKITS

For 230/460V Three Phase and 230V Single Phase Motors

Brake Rating (ft-lbs)	Mounts to NEMA Frame	Max. HP @ 1725rpm	Cat. No. 208-230/460 V Brake Coil Voltage	List Price	Disc. Sym.	App. Wt. (lbs.)
3	56/143-5T	1	175616 175771 ^②	\$984	A	24
6	56/143-5T	2	175617 175772 ^②	1039	A	36
10	56/143-5T	3	175618 175773 ^②	1094	A	43

② For 56/145 frame motors having a "B" for the suffix letter for the date code and having a face mount fan guard.

BRAKE SELECTION

In this table, brake torque ratings are no less than 140% of the motor full load torque. Match HP & frame size of motor with appropriately rated BRAKEKIT.

Motor HP	Brakemotor RPM Torque Rating of Brake (Lb-Ft)		
	3450	1725	1140
1/3	3	3	3
1/2	3	3	3
3/4	3	6	6
1	3	6	6
1 1/2	6	10	10
2	6	10	15
3	10	15	25
5	15	25	35
7.5	25	35	50
10	25	50	75
15	35	75	105
20	50	105	—



Numbers in blue are available 3rd Quarter 2008.

DOUBLE C-FACE COUPLER BRAKES

A new and expanded line of Coupler Brakes designed for applications where mounting the brake between the motor and driven load is the preferred, or most convenient, location. They are an excellent problem solver for applications where a brake needs to be added to existing equipment – without replacing the motor.

Rugged cast aluminum or cast iron construction Stearns brakes are well suited to most industrial applications. Coupler brakes are designed to be C-face connected on both ends – these brakes are not suited for overhung loads to be applied to the output shaft.

A wide range of voltages and brake torque ratings in both NEMA 2 and NEMA 4X enclosures are available from stock. NEMA 2 brakes are best suited for use with standard ODP and TEFC motors. NEMA 4X brakes are designed for use with LEESON WASHGUARD motors.

GENERAL PURPOSE COUPLER BRAKES

Mounts directly to the face and shaft of NEMA 56 through 215T-frame C-face motors to create a fail-safe brakemotor.

The 6 ft.lb. brake mounts to NEMA 56C or 143-5TC motors using an optional adaptor sleeve, which is included with the brake. Output shaft can be either 56C or 143-5TC depending on the location of the provided adaptor sleeve. A 1/2 NPT threaded lead exit hole is provided for power connections.



Stearns[®]

GENERAL PURPOSE (NEMA 2) COUPLER BRAKES

For Both Single and Three Phase Motors

Cat. No. 115/208-230V Single Phase	Cat. No. 208-230/460V Three Phase	Cat. No. 575V Three Phase	Brake Rating (ft-lbs)	Max. HP @ 1725 rpm	Mounts to NEMA Frame	Coupler Brake Output Shaft and Face	Add to Motor "C" Dim.	List Price	Disc. Sym.	App. Wt. (lbs.)
175563	175564	175565	3	1	56C	5/8", 56C	4.91	\$503	A	13
175569	175570	175571	6	2	56C/143-5TC	5/8" or 7/8", 56C	4.91	577	A	14
175575	175576	175577	10	3	143-5TC	7/8", 143-5TC	4.91	605	A	15
—	175581	—	15	3	143-5TC	7/8", 143-5TC	4.91	691	A	16
—	175583	—	15	3	182-4TC	1 1/8", 182-4TC	8.38	2459	A	58
—	175585	—	25	5	182-4TC	1 1/8", 182-4TC	8.38	2572	A	58
—	175587	—	35	7 1/2	213-5TC	1 3/8", 213-5TC	8.88	2823	A	60
—	175589	—	50	10	213-5TC	1 3/8", 213-5TC	8.88	3125	A	62

WASHGUARD COUPLER BRAKES

Solid die-cast aluminum Stearns NEMA 4X coupler brake converts any TEFC or TENV 56C thru 215TC motor to a fail-safe brakemotor by mounting between the C-face motor and driven equipment. Food safe white epoxy finish. BISSC Certified. Adds 5" to the overall length of 56C thru 145TC WASHGUARD TEFC or TENV motors. Includes all mounting components.



WASHGUARD (NEMA 4X) COUPLER BRAKES

For Both Single and Three Phase Motors

Cat. No. 115/208-230V Single Phase	Cat. No. 208-230/460V Three Phase	Cat. No. 575V Three Phase	Brake Rating (ft-lbs)	Max. HP @ 1725 rpm	Mounts to NEMA Frame	Coupler Brake Output Shaft and Face	Add to Motor "C" Dim.	List Price	Disc. Sym.	App. Wt. (lbs.)
175566	175567	175568	3	1	56C	5/8", 56C	4.94	\$886	A	13
175572	175573	175574	6	2	56C/143-5TC	5/8" or 7/8", 56C	4.94	954	A	14
175578	175579	175580	10	3	143-5TC	7/8", 143-5TC	4.94	1009	A	15
—	175582	—	15	3	143-5TC	7/8", 143-5TC	4.94	1174	A	16
—	175584	—	15	3	182-4TC	1 1/8", 182-4TC	8.38	3179	A	58
—	175586	—	25	5	182-4TC	1 1/8", 182-4TC	8.38	3242	A	58
—	175588	—	35	7 1/2	213-5TC	1 3/8", 213-5TC	8.88	3361	A	60
—	175590	—	50	10	213-5TC	1 3/8", 213-5TC	8.88	3754	A	62



LEESON JET PUMP MOTORS

SINGLE PHASE

JET PUMP MOTORS

General Specifications:

Stator impregnated with extra heavy varnish system. High temperature copper magnet wire provides extended motor life. "Super Hush" flow-through ventilation system (exhaust shaft-end) standard. Vertical or horizontal mounting (drip-cover available). Ground provision. Die cast aluminum NEMA 56 C face mounting flange, with cast iron bearing seat insert. Mechanical bearing lock—shaft-end, for longer life. Reliable, field proven, corrosion resistant rotating switch. High overload capacities provided by service factor. Neoprene shaft flinger on J frame motors protects bearings by repelling moisture and other contaminants.



Shaft Material:

Keyed shafts are made of carbon steel. Threaded shafts are 416 stainless steel. Shafts are CW rotation, facing lead end.

Bearings:

203 Double-sealed ball bearing, shaft-end; 203 Double-shielded ball bearing, switch-end. Shaft-end bearing is locked to limit axial movement of the shaft.

Terminal Board:

¼" Quick connects (keyed shaft motors are reversible).

U.L. and C.S.A. Recognized:

Motor components (UL File No. E57948).

Class "B" insulation system (UL File No. E55555).

Thermal protector/winding combination (UL No. E57955)

through 1HP C.S.A. listed through 1HP (Report No. LR33543).

SERVICE FACTORS FOR LEESON SINGLE PHASE JET PUMP MOTORS*

HP	Drip-Proof Service Factor	TEFC Service Factor
1/2	1.60	1.60
3/4	1.50	1.50
1	1.40	1.25
1½	1.30	1.00
2	1.25	1.00
3	1.15	—

* Applies to general purpose motors only, not explosion-proof.

DRIP-COVER KITS

Each kit includes one drip-cover. Designed to protect motors from rain, snow and ice when mounted outdoors in a vertical position.



FOR DRIP-PROOF MOTORS

Frame	Catalog Number	List Price	Disc. Sym.	App. Wgt. (lbs.)
48-S56	175003	\$40	A	2
48-S56	175298♦	40	A	2
56 143T-145T	175004	44	A	2

♦ For use with motors having "P" suffix on date code.

KEYED SHAFT • DRIP-PROOF SINGLE PHASE • LESS BASE

HP	RPM 60 Hz	NEMA Frame	Catalog Number	List Price	Disc. Sym.	App. Wgt. (lbs.)	Voltage	Over- load Prot.	F.L. Amps 230V	"C" Dim. (Inches)
1/2	3450	S56C	100204	\$245	A	19	115/208-230	Auto.	3.4	9.49
3/4	3450	S56C	100205+	322	A	21	115/208-230	Auto.	5.1	9.99
1	3450	S56C	100722+	348	A	24	115/208-230	Auto.	5.7	10.49
1½	3450	56C	110288	457	A	31	115/208-230	Auto.	9.0	11.34
2	3450	56C	110289	589	A	37	115/208-230	Auto.	10.5	12.34
3	3450	56C	110280☆	602	A	49	230	Auto.	12.8	13.55

THREADED SHAFT • DRIP-PROOF SINGLE PHASE • LESS BASE

HP	RPM 60 Hz	NEMA Frame	Catalog Number	List Price	Disc. Sym.	App. Wgt. (lbs.)	Voltage	Over- load Prot.	F.L. Amps 230V	"C" Dim. (Inches)
1/2	3450	S56J	100207+	\$235	A	19	115/208-230	Auto.	3.4	10.00
3/4	3450	S56J	100208+	307	A	21	115/208-230	Auto.	5.1	10.50
1	3450	S56J	100723+	321	A	23	115/208-230	Auto.	5.7	11.00
1½	3450	56J	110292+	447	A	31	115/208-230	Auto.	9.0	11.34
2	3450	56J	110293+	552	A	37	115/208-230	Auto.	10.5	12.34
3	3450	56J	110286☆+	569	A	51	230	Auto.	12.8	14.15

THREADED SHAFT • TEFC SINGLE PHASE • LESS BASE

HP	RPM 60 Hz	NEMA Frame	Catalog Number	List Price	Disc. Sym.	App. Wgt. (lbs.)	Voltage	Over- load Prot.	F.L. Amps 230V	"C" Dim. (Inches)
1/2	3450	56J	113955+	\$276	A	22	115/208-230	Auto.	3.8	11.31
3/4	3450	56J	113956+	329	A	26	115/208-230	Auto.	5.0	11.81
1	3450	56J	113639+	401	A	30	115/208-230	Auto.	6.0	12.31
1½	3450	56J	113640+	476	A	34	115/208-230	Auto.	8.5	12.81
2	3450	56J	113641+	564	A	41	115/208-230	Auto.	10.0	13.81

THREADED SHAFT • TEFC SINGLE PHASE • WITH BASE

HP	RPM 60 Hz	NEMA Frame	Catalog Number	List Price	Disc. Sym.	App. Wgt. (lbs.)	Voltage	Over- load Prot.	F.L. Amps 230V	"C" Dim. (Inches)
1/2	3450	56J	113637+	\$318	A	23	115/208-230	Auto.	3.8	11.31
3/4	3450	56J	113638+	340	A	26	115/208-230	Auto.	5.0	11.81
1	3450	56J	113957+	411	A	28	115/208-230	Auto.	6.0	12.31
1½	3450	56J	113958+	488	A	34	115/208-230	Auto.	8.5	12.81
2	3450	56J	113959+	576	A	43	115/208-230	Auto.	10.0	13.81

THREADED SHAFT • EXPLOSION PROOF • TEFC SINGLE PHASE • C-FACE LESS BASE

HP	RPM 60 Hz	NEMA Frame	Catalog Number	List Price	Disc. Sym.	App. Wgt. (lbs.)	Voltage	Over- load Prot.	F.L. Amps 230V	"C" Dim. (Inches)
1/2	3450	56J	116188	\$565	A	35	115/208-230	Auto.	3.8	13.96
3/4	3450	56J	116186	636	A	40	115/208-230	Auto.	5.0	14.46
1	3450	56J	116185	683	A	49	115/208-230	Auto.	6.0	14.96
1½	3450	56J	116183	875	A	52	115/208-230	Auto.	8.5	15.46
2	3450	56J	116181	952	A	54	115/208-230	Auto.	10.5	16.46

+ These motors are fixed rotation—CW from lead end.

☆ Capacitor start/capacitor run designed for reduced amperage, others are capacitor start/induction run.

SEE FHP SINGLE PHASE JET PUMP MOTORS ON PAGE 51

JET PUMP MOTORS

General Specifications:

Rugged, three phase jet pump motors for industrial service. NEMA 56 C face. Stator impregnated with heavy varnish system. High temperature copper magnet wire for high overload capacity. Grounding provision inside oversized gasketed conduit box. 380 alloy aluminum endplate with cast bearing seat insert. Neoprene shaft flinger to repel moisture and other contaminants. Mechanical bearing lock, shaft end, controls axial movement. UL and CSA recognized design (UL file No. E57948).



Shaft Material:

303 stainless steel, threaded.

Bearings:

203 Double-sealed ball bearing, shaft-end; 203 Double-shielded ball bearing, switch-end. Shaft-end bearing is locked to limit axial movement of the shaft.

Electrical Specifications:

Explosion-proof motors have automatic overload protection. Others have no thermal overload protection.

WASHGUARD JET PUMP MOTORS

Washdown duty three phase jet pump motors for industrial service. These motors include all of the features of LEESON's White Duck WASHGUARD motors with the addition of a 56J threaded shaft for use on jet pumps. For demanding pump applications in wet, humid, or washdown environments.



**WASHGUARD • JET PUMP • THREADED SHAFT
THREE PHASE • TEFC • C-FACE LESS BASE**

HP	RPM 60 Hz	NEMA Frame	Catalog Number	List Price	Disc. Sym.	App. Wgt. (lbs.)	Voltage	F.L. Amps 230V	% F.L. Eff.	"C" Dim. (Inches)
3/4	3450	56J	116774	\$505	A	23	208-230/460	2.4	75.5	10.81
1	3450	56J	116775	587	A	35	208-230/460	3.2	77.0	10.81
1½	3450	56J	116776	624	A	42	208-230/460	4.2	81.5	11.81
2	3450	56J	116777	715	A	47	208-230/460	5.6	82.5	12.31
3	3450	56J	116778	750	A	49	208-230/460	7.6	84.0	13.25

**WASHGUARD • JET PUMP • THREADED SHAFT
THREE PHASE • TEFC • C-FACE WITH BASE**

HP	RPM 60 Hz	NEMA Frame	Catalog Number	List Price	Disc. Sym.	App. Wgt. (lbs.)	Voltage	F.L. Amps 230V	% F.L. Eff.	"C" Dim. (Inches)
3/4	3450	56J	116779	\$518	A	24	208-230/460	2.4	75.5	10.81
1	3450	56J	116780	602	A	36	208-230/460	3.2	77.0	10.81
1½	3450	56J	116781	653	A	43	208-230/460	4.2	81.5	11.81
2	3450	56J	116782	727	A	48	208-230/460	5.6	82.5	12.31
3	3450	56J	116783	774	A	50	208-230/460	7.6	84.0	13.25

All three phase motors, 1 HP and above, are inverter rated. Refer to page 5 for speed ranges.

**THREADED SHAFT • DRIP-PROOF
THREE PHASE • LESS BASE**

HP	RPM 60 Hz	NEMA Frame	Catalog Number	List Price	Disc. Sym.	App. Wgt. (lbs.)	Voltage	F.L. Amps 230V	% F.L. Eff.	"C" Dim. (Inches)
1/3	3450	S56J	102197	\$246	A	15	208-230/460	1.4	68.0	9.94
1/2	3450	S56J	102198	259	A	17	208-230/460	1.8	69.0	9.94
3/4	3450	S56J	101637	310	A	18	208-230/460	2.4	79.0	10.44
1	3450	S56J	101638	344	A	25	208-230/460	3.0	78.0	11.44
1½	3450	56J	113891	413	A	28	208-230/460	4.2	81.5	11.34
2	3450	56J	113892	489	A	33	208-230/460	5.6	82.5	11.84
3	3450	56J	113893	579	A	36	208-230/460	7.6	84.0	12.34
5	3490	56J	116698	635	A	45	208-230/460	12.4	85.5	13.88

**THREADED SHAFT • DRIP-PROOF
THREE PHASE • WITH BASE**

HP	RPM 60 Hz	NEMA Frame	Catalog Number	List Price	Disc. Sym.	App. Wgt. (lbs.)	Voltage	F.L. Amps 230V	% F.L. Eff.	"C" Dim. (Inches)
1/2	3450	S56J	102199	\$271	A	17	208-230/460	1.8	69.0	9.94
3/4	3450	S56J	101776	310	A	18	208-230/460	2.4	79.0	10.44
1	3450	S56J	101775	347	A	26	208-230/460	3.0	78.0	11.44
1½	3450	56J	114203	422	A	33	208-230/460	4.2	81.5	11.34
2	3450	56J	114202	504	A	35	208-230/460	5.6	82.5	11.84
3	3450	56HJ	114201	595	A	35	208-230/460	8.0	84.0	11.84
5	3490	56HJ	116699	652	A	47	208-230/460	12.4	85.5	13.88

**THREADED SHAFT • TEFC
THREE PHASE • LESS BASE**

HP	RPM 60 Hz	NEMA Frame	Catalog Number	List Price	Disc. Sym.	App. Wgt. (lbs.)	Voltage	F.L. Amps 230V	% F.L. Eff.	"C" Dim. (Inches)
1/2	3450	56J	114931	\$292	A	21	208-230/460	2.0	67.0	10.81
3/4	3450	56J	114208	322	A	22	208-230/460	2.4	75.5	11.31
1	3450	56J	114207	383	A	25	208-230/460	3.2	77.0	11.31
1½	3450	56J	114206	398	A	31	208-230/460	4.2	81.5	12.31
2	3450	56J	114205	505	A	40	208-230/460	5.6	82.5	12.81
3	3450	56J	114204	547	A	52	208-230/460	7.6	84.0	13.31

**THREADED SHAFT • TEFC
THREE PHASE • WITH BASE**

HP	RPM 60 Hz	NEMA Frame	Catalog Number	List Price	Disc. Sym.	App. Wgt. (lbs.)	Voltage	F.L. Amps 230V	% F.L. Eff.	"C" Dim. (Inches)
3/4	3450	56J	113028	\$387	A	23	208-230/460	2.4	75.5	11.31
1	3450	56J	113029	395	A	24	208-230/460	3.2	77.0	11.31
1½	3450	56J	113030	408	A	31	208-230/460	4.2	81.5	12.31
2	3450	56J	113031	511	A	36	208-230/460	5.6	82.5	12.81
3	3450	56HJ	113032	557	A	39	208-230/460	7.6	84.0	13.31

**THREADED SHAFT • EXPLOSION PROOF •
TEFC/TENV THREE PHASE • C-FACE LESS BASE**

HP	RPM 60 Hz	NEMA Frame	Catalog Number	List Price	Disc. Sym.	App. Wgt. (lbs.)	Voltage	F.L. Amps 230V	% F.L. Eff.	"C" Dim. (Inches)
1/2	3450	56J	116187▲●	\$698	A	33	208-230/460	1.6	82.5	12.87
1	3450	56J	116184▲	752	A	33	208-230/460	3.2	77.0	13.46
1½	3450	56J	116182▲	770	A	48	208-230/460	4.2	81.5	14.46
2	3450	56J	116180▲	805	A	50	208-230/460	5.6	82.5	14.96

▲ These motors are satisfactory for operation on 50 Hz power supply at full rated horsepower.
● These motors are totally enclosed, non-ventilated – Others are fan cooled.

LEESON® SWIMMING POOL PUMP MOTORS

SINGLE PHASE

COMMERCIAL DUTY SWIMMING POOL MOTORS



General Specifications:

Cast iron NEMA 56 C face mounting face or aluminum as noted. Mechanical bearing lock—shaft-end. Fully enclosed endbell at switch-end. Protected “double contact” starting switch with dual contact switch circuit providing maximum starting dependability. Reliable, field proven, corrosion resistant rotating switch. Stator impregnated with extra heavy varnish system. High temperature copper magnet wire providing extended motor life. “Low voltage” run capabilities. “Super Hush” flow-through ventilation system (exhaust shaft-end). Gaskets supplied under conduit cover and capacitor case giving added environmental protection. 1/2" NPT pipe tap supplied in “built-in” conduit box. Grounding provisions inside terminal panel plus external provision. High overload capacities provided by service factor.

Shaft Material:

Keyed shafts are made of carbon steel. Threaded shafts are 303 stainless steel. Shafts are CW rotation, facing lead end.

Bearings:

304 Double-sealed ball bearing, shaft-end; 203 Double-shielded ball bearing, switch-end.

Terminal Boards:

¼" quick connects (keyed shaft motors are reversible).

U.L. and C.S.A. Recognized:

Motor components (UL File No. #57948).

Class “B” insulation system (UL File No. E55555).

Thermal protector/winding combination (UL No. E56955)

through 1HP. C.S.A. listed through 1HP (Report No. LR33543).

SERVICE FACTORS FOR SWIMMING POOL MOTORS

HP	Service Factor
1/2	1.60
3/4	1.50
1	1.40
1½	1.30
2	1.25
3	1.15

KEYED SHAFT • ALUMINUM C FACE LESS BASE SINGLE PHASE • DRIP-PROOF

HP	RPM 60 Hz	NEMA Frame	Catalog Number	List Price	Disc. Sym.	App. Wgt. (lbs.)	Voltage	Over- load Prot.	F.L. Amps 230V	“C” Dim. (Inches)
1/2	3450	S56C	101524	\$253	A	19	115/208-230	Auto.	3.4	10.05
3/4	3450	S56C	101525	292	A	22	115/208-230	Auto.	5.1	10.55
1	3450	S56C	101526	326	A	25	115/208-230	Auto.	5.7	11.05
1½	3450	56C	113686	418	A	30	115/208-230	Auto.	9.0	11.88

KEYED SHAFT • CAST IRON C FACE LESS BASE SINGLE PHASE • DRIP-PROOF

HP	RPM 60 Hz	NEMA Frame	Catalog Number	List Price	Disc. Sym.	App. Wgt. (lbs.)	Voltage	Over- load Prot.	F.L. Amps 230V	“C” Dim. (Inches)
1/2	3450	56C	110278	\$296	A	24	115/208-230	Auto.	4.2	10.56
3/4	3450	56C	110241	370	A	29	115/208-230	Auto.	5.2	11.15
1	3450	56C	110242	399	A	31	115/208-230	Auto.	6.8	11.15
1½	3450	56C	110243	516	A	36	115/208-230	Auto.	9.0	11.55
2	3450	56C	110279	579	A	40	115/208-230	Auto.	10.5	12.55
3	3450	56C	110280☆	602	A	49	230	Auto.	12.8	13.55

THREADED SHAFT • ALUMINUM C FACE LESS BASE SINGLE PHASE • DRIP-PROOF

HP	RPM 60 Hz	NEMA Frame	Catalog Number	List Price	Disc. Sym.	App. Wgt. (lbs.)	Voltage	Over- load Prot.	F.L. Amps 230V	“C” Dim. (Inches)
1/2	3450	S56J	101527+	\$262	A	20	115/208-230	Auto.	3.4	10.56
3/4	3450	S56J	101528+	303	A	23	115/208-230	Auto.	5.1	11.06
1	3450	S56J	101529+	332	A	24	115/208-230	Auto.	5.7	11.56
1½	3450	56J	113687+	429	A	30	115/208-230	Auto.	9.0	12.40

THREADED SHAFT • CAST IRON C FACE LESS BASE SINGLE PHASE • DRIP-PROOF

HP	RPM 60 Hz	NEMA Frame	Catalog Number	List Price	Disc. Sym.	App. Wgt. (lbs.)	Voltage	Over- load Prot.	F.L. Amps 230V	“C” Dim. (Inches)
1/2	3450	56J	110281+	\$309	A	25	115/208-230	Auto.	4.2	10.55
3/4	3450	56J	110282+	333	A	30	115/208-230	Auto.	5.2	11.65
1	3450	56J	110283+	377	A	31	115/208-230	Auto.	6.8	11.65
1½	3450	56J	110284+	481	A	36	115/208-230	Auto.	9.0	12.15
2	3450	56J	110285+	581	A	41	115/208-230	Auto.	10.5	13.15
3	3450	56J	110286☆+	569	A	51	230	Auto.	12.8	14.15

+ Threaded shaft are fixed rotation—CW from lead end.

☆ Capacitor start/capacitor run design for reduced amperage, others are capacitor start/induction run.

POOL AND JET PUMP MOTORS C-FACE, JET PUMP AND SQUARE FLANGE



PERFORMA+ FHP POOL AND JET PUMP MOTORS

General Specifications:

Energy-saving single-phase Permanent Split Capacitor *PERFORMA+* Pool and Jet Pump motors have separate compartment design required for many pool and spa applications. PSC design gives energy-efficient operation with no switches to wear or seize. Special balancing of FHP motors gives super quiet operation. Motors are connected for CW rotation, viewed from the lead end of the motor, and are not reversible. All designs – keyed and threaded – have 304 stainless steel shafts. Double-sealed bearings on both ends of the motor have high temperature grease for long life. Motors have external grounding lug and Class F insulation with Class B rise.

Standards and Approvals:

UL component recognized, UL file number E57948

CSA certified for safety, CSA report number LR33543

Design complies with requirements for motor/pump/cord assemblies that must pass the UL 1081 water spray test.



KEYED SHAFT • C FACE LESS BASE SINGLE PHASE • PSC • DRIP-PROOF

HP	RPM 60 Hz	NEMA Frame	Catalog Number	List Price	Disc. Sym.	App. Wgt. (lbs.)	Voltage	Over- load Prot.	Service Factor	F.L. Amps 230V	"C" Dim. (Inches)
1/2	3450	56C	MK1052	\$234	A	26	115/230	Auto.	1.95	4.9	11.75
3/4	3450	56C	MK1072	278	A	27	115/230	Auto.	1.65	5.2	11.75
1	3450	56C	MK1102	309	A	29	115/230	Auto.	1.5	5.1	12.73
1½	3450	56C	MK1152	367	A	37	230	Auto.	1.4	6.7	13.71
2	3450	56C	MK1202	439	A	37	230	Auto.	1.15	8.5	13.71



THREADED SHAFT • C FACE LESS BASE SINGLE PHASE • PSC • DRIP-PROOF

HP	RPM 60 Hz	NEMA Frame	Catalog Number	List Price	Disc. Sym.	App. Wgt. (lbs.)	Voltage	Over- load Prot.	Service Factor	F.L. Amps 230V	"C" Dim. (Inches)
1/2	3450	56J	MT1052	\$234	A	26	115/230	Auto.	1.95	4.9	12.09
3/4	3450	56J	MT1072	278	A	27	115/230	Auto.	1.65	5.2	12.09
1	3450	56J	MT1102	309	A	29	115/230	Auto.	1.5	5.1	13.07
1½	3450	56J	MT1152	367	A	37	230	Auto.	1.4	6.7	14.05
2	3450	56J	MT1202	439	A	37	230	Auto.	1.15	8.5	14.05



THREADED SHAFT • SQUARE FLANGE LESS BASE SINGLE PHASE • PSC • DRIP-PROOF

HP	RPM 60 Hz	NEMA Frame	Catalog Number	List Price	Disc. Sym.	App. Wgt. (lbs.)	Voltage	Over- load Prot.	Service Factor	F.L. Amps 230V	"C" Dim. (Inches)
1/2	3450	56Y	MST1052	\$234	A	26	115/230	Auto.	1.95	4.9	11.92
3/4	3450	56Y	MST1072	278	A	27	115/230	Auto.	1.65	5.2	11.92
1	3450	56Y	MST1102	309	A	29	115/230	Auto.	1.5	5.1	12.90
1½	3450	56Y	MST1152	367	A	37	230	Auto.	1.4	6.7	13.89
2	3450	56Y	MST1202	439	A	37	230	Auto.	1.15	8.5	13.89

Separate Compartment Design

Locates the motor run capacitor, protector and terminal board in a separate compartment on the end of the motor. Protective cover protects these items from water spray as defined by the UL1081 specification and provides for convenient servicing. Complies with requirements of UL1081 standard for motor/pump/cord assemblies used on swimming pool pumps; pump filter combinations, and chlorinators. Stub shaft with flats in accessible for wrenching when attaching pump impeller.



JP PUMP MOTORS



General Specifications:

For use with close-coupled pumps having NEMA JP mounting and shaft dimensions. In such applications, the pump impeller is mounted directly on the motor shaft. Designed for continuous duty service. All motors listed are 1.15 Service Factor.

Mechanical Features:

Open drip-proof construction with rigid base mounting. Locked bearing on shaft end limits axial shaft movement. For use where the environment is relatively clean and dry. For outdoor use, an enclosure or drip cover may be preferred. See the Drip Cover Kit table. Some 182-4JP frame motors have enclosed endshields as standard with frame meeting the 12° drip-proof requirement. No drip cover is needed, or shown in the table, for these motors.

Electrical Features:

UL Recognized and CSA Certified. Single phase designs are capacitor start, induction run.

All 180 and 210 frame Rolled Steel motors have Class F Insulation.

SINGLE PHASE • DRIP-PROOF • RIGID BASE

HP	RPM 60 Hz	NEMA Frame	Catalog Number	List Price	Disc. Sym.	App. Wgt. (lbs.)	Voltage	Over load Prot.	F.L. Amps 230V	"C" Dim. (Inches)	Drip Cover Kit Ref.
5	3450	184JP	131881	\$1028	B	92	230	None	22.0	19.38	...
7½	3450	213JP	140646	1221	B	140	230	None	37.0	14.17	C
10	3450	215JP	140647	1648	B	157	230	None	47.0	15.67	C

THREE PHASE • DRIP-PROOF • RIGID BASE

HP	RPM 60 Hz	NEMA Frame	Catalog Number	List Price	Disc. Sym.	App. Wgt. (lbs.)	Voltage	% F.L. Eff.	F.L. Amps 230V	"C" Dim. (Inches)	Drip Cover Kit Ref.
1½	1725	145JP	121846	\$341	B	35	208-230/460	80.0	4.8	16.18	A
2	1725	145JP	121847	355	B	39	208-230/460	81.5	6.2	17.18	A
3	3450	145JP	121849	447	B	37	208-230/460	84.0	8.9	16.68	A
	1725	182JP	131882*	465	B	52	208-230/460	80.0	10.0	16.88	E
5	3450	182JP	131884	537	B	55	208-230/460	82.5	13.2	17.88	E
	1725	182JP	131883	534	B	64	208-230/460	84.0	14.2	17.38	E
7½	3450	184JP	131885	644	B	78	208-230/460	84.0	18.4	18.88	E
	1760	213JP	140667	878	B	96	208-230/460	88.5	20.0	20.76	D
10	3450	213JP	140655	827	B	136	208-230/460	85.5	27.6	22.18	C
	1760	215JP	140668	1004	B	125	208-230/460	89.5	28.0	21.76	D
15	3450	215JP	140656	1023	B	117	208-230/460	86.5	42.0	23.68	C
	1760	254JP	801051	1241	B	155	208-230/460	87.5	43.0	25.29	...
20	3500	254JP	801056	1289	B	159	208-230/460	88.5	52.6	25.29	...
	1760	256JP	801052	1499	B	210	208-230/460	88.5	56.4	27.04	...
25	3525	256JP	801057	1519	B	166	208-230/460	89.5	66.0	27.04	...
	1760	284JP	801053	2016	C	306	230/460	87.5	66.0	27.18	...
30	3525	284JP	801058	2024	C	315	230/460	88.5	73.0	27.18	...
	1760	286JP	801054	2093	C	320	230/460	89.5	79.0	28.68	...
40	3550	286JP	801059	2316	C	360	230/460	88.5	100.0	28.68	...
	1760	324JP	801055	2663	C	491	230/460	93.0	97.0	29.12	...
50	3550	324JP	801060	2963	C	450	230/460	89.5	124.0	29.12	...

* F1 mounting only.

DRIP COVER KITS FOR JP PUMP MOTORS

Kit Ref.	Frame	Catalog Number	Enclosure	List Price
A	56-145JP	175932	ODP or TEFC	\$24
B	182JP-184JP	175933	ODP	28
C	213JP-215JP	175305	ODP	79
D	213JP-215JP	175846	ODP	79
E	182JP-184JP	175614	ODP	56

QUICK REFERENCE

JP PUMP MOTORS	Page 53
AGRICULTURAL MOTORS.....	66

All three phase motors, 1 HP and above, are inverter rated. Refer to page 5 for speed ranges.

SHADED FRAME INDICATES CAST IRON CONSTRUCTION

JM PUMP MOTORS

General Specifications:

Designed for continuous duty service on close-coupled pumps using NEMA JM mounting provisions. All motors have a rigid mounting base and NEMA JM pump shaft.



Mechanical Features:

Open drip-proof construction, cooling air exhausts at the shaft end for maximum cooling. Oversized locked bearing on shaft end limits axial shaft movement. Drip covers are available as accessory kits for 143-5JM and 182-4JM motors—see letter designations in the table on page 48 for the correct kit.

Some 182-4JM frame motors have enclosed endshields as standard with frame vents meeting the 12° drip-proof requirement. No drip cover is needed, or shown in the table, for these motors.



Electrical Features:

High efficiency copper windings with NEMA 1.15 service factors. UL and CSA recognized designs.

Single phase designs are capacitor start/induction run unless indicated otherwise. All 180 and 210 frame Rolled Steel motors have Class F Insulation.

SINGLE PHASE • DRIP-PROOF • RIGID BASE

HP	RPM 60 Hz	NEMA Frame	Catalog Number	List Price	Disc. Sym.	App. Wgt. (lbs.)	Voltage	Over- load Prot.	F.L. Amps 230V	"C" Dim. (Inches)	Drip Cover Kit Ref.
1	1740	143JM	120996☆	\$593	B	42	115/208-230	None	6.4	13.91	A
1½	1740	145JM	120994☆	597	B	45	115/208-230	None	8.6	14.91	A
2	3450	145JM	121190☆	612	B	47	115/208-230	None	10.5	14.91	A
	1740	145JM	120995☆	599	B	45	115/208-230	None	10.5	15.41	A
	1760	182JM	132073	625	B	70	115/208-230	None	12.4	13.19	C
3	3450	182JM	131640☆	724	B	80	115/208-230	None	15.2	16.32	C
	1760	182JM	131604	832	B	73	230	None	16.8	15.82	C
5	3450	184JM	131641☆	1028	B	95	115/208-230	None	24.0	17.32	C
	1760	184JM	131605☆	1182	B	82	230	None	21.0	16.32	C
7½	3450	213JM	140642☆	1463	B	140	230	None	37.0	14.17	E
	1760	215JM	140665☆	1559	B	141	230	None	40.5	18.38	E
10	3450	215JM	140644☆	1648	B	144	230	None	47.0	18.38	E
	1760	215JM	140666☆	1929	B	144	230	None	43.0	19.88	E

☆ Capacitor start/capacitor run design for reduced amperage, others are capacitor start/induction run.

THREE PHASE • DRIP-PROOF • RIGID BASE

HP	RPM 60 Hz	NEMA Frame	Catalog Number	List Price	Disc. Sym.	App. Wgt. (lbs.)	Voltage	F.L. Amps 230V	% F.L. Eff.	"C" Dim. (Inches)	Drip Cover Kit Ref.
1	1740	143JM	121850	\$348	B	29	208-230/460	3.6	77.0	13.12	B
1½	1740	145JM	121851	376	B	32	208-230/460	4.8	80.0	13.12	B
2	3450	145JM	121853	435	B	30	208-230/460	6.2	80.0	13.12	B
	1740	145JM	121852	391	B	37	208-230/460	6.2	81.5	14.12	B
3	3450	145JM	121854	482	B	35	208-230/460	8.4	84.0	13.62	B
	1760	182JM	131562	516	B	55	208-230/460	8.8	84.0	13.82	J
5	3450	182JM	131574	635	B	62	208-230/460	12.6	85.5	14.82	J
	1760	184JM	131563	595	B	65	208-230/460	13.4	86.0	14.82	J
7½	3450	184JM	131576	718	B	83	208-230/460	18.0	86.5	15.82	J
	1760	213JM	140618	878	B	140	208-230/460	20.0	88.5	16.88	F
10	3450	S213JM	131577	925	B	96	208-230/460	25.0	82.5	16.82	C
	1760	215JM	140619	1004	B	181	208-230/460	28.0	89.5	17.88	F
15	3450	215JM	151380	1184	C	178	208-230/460	36.0	86.8	19.84	H
	1740	254JM	151361	1353	C	254	208-230/460	39.0	90.0	22.87	I
20	3450	254JM	151381	1366	C	276	208-230/460	48.0	90.0	22.87	I
	1740	256JM	151362	1589	C	312	208-230/460	50.0	91.0	24.53	I
25	3450	256JM	151382	1610	C	318	208-230/460	62.0	89.3	24.53	I
	1740	284JM	801028	1995	C	303	230/460	66.0	87.5	24.31	...
30	3450	284JM	801040	2018	C	325	230/460	73.0	88.5	24.31	...
	1740	286JM	801029	2316	C	350	230/460	79.0	89.5	25.81	...
40	3450	286JM	801041	2316	C	337	230/460	100.0	88.5	25.81	...
	1740	324JM	801030	2734	C	386	230/460	106.0	89.5	26.25	...
50	3450	324JM	801042	3148	C	433	230/460	124.0	89.5	29.12	...

DRIP COVER KITS FOR JM PUMP MOTORS

Kit Ref.	Frame	Catalog Number	Enclosure	List Price
A	143-145JM	175004	ODP	\$ 44
B	143-145JM	175932	ODP or TEFC	24
C	182-184JM	175933	ODP	28
D	182-184JM	175695	TEFC	134
E	213-215JM	175305	ODP	79
F	213-215JM	175846	ODP	79
G	213-215JM	175849	TEFC	79
H	213-215JM	175962	ODP	79
I	254-256JM	175963	ODP	101
J	182-184JM	175614	ODP	56

All three phase motors, 1 HP and above, are inverter rated. Refer to page 5 for speed ranges.

SHADED FRAME INDICATES CAST IRON CONSTRUCTION

JM PUMP MOTORS

General Specifications:

Designed for continuous duty service on close-coupled pumps using NEMA JM mounting provisions. All motors have a rigid mounting base and NEMA JM pump shaft.



Mechanical Features:

Totally enclosed fan cooled construction for maximum life in dirty or severe environments. Oversized locked bearing on shaft end limits axial shaft movement. Drip covers are available as accessory kits for 143-5JM and 182-4JM motors—see letter designations in the table for the correct kit. Some 182-4JM frame motors have enclosed endshields as standard with frame vents meeting the 12° drip-proof requirement. No drip cover is needed, or shown in the table, for these motors.

Electrical Features:

High efficiency copper windings with NEMA 1.15 service factors. UL and CSA recognized designs. All 180 and 210 frame Rolled Steel motors have Class F Insulation.

See pages 48 & 122 for Drip Cover Kits.

WASHGUARD JM PUMP MOTORS

General Specifications:

Standard NEMA JM pump motor design with the addition of LEESON's trusted WASHGUARD design. Designed for service in washdown-duty environments where moisture exclusion and corrosion resistance is required for long service life.



Mechanical Specifications:

Refer to the detail of mechanical features as shown in the WASHGUARD, section of this catalog.

Electrical Features:

All ratings are TEFC design with class F insulation, and 1.15 Service Factor. UL and CSA recognized designs with IRIS™

THREE PHASE • TEFC • RIGID BASE

HP	RPM 60 Hz	NEMA Frame	Catalog Number	List Price	Disc. Sym.	App. Wgt. (lbs.)	Voltage	F.L. Amps 230V	% F.L. Eff.	"C" Dim. (Inches)	Drip Cover Kit Ref.
1	1740	143JM	121855	\$387	B	30	208-230/460	3.6	77.0	14.50	B
1½	3450	143JM	121858	390	B	31	208-230/460	4.6	80.0	14.50	B
	1740	145JM	121856	423	B	35	208-230/460	4.8	80.0	14.50	B
2	3450	145JM	121859	479	B	33	208-230/460	6.0	80.0	14.50	B
	1740	145JM	121857	421	B	43	208-230/460	5.8	82.5	16.00	B
3	3450	145JM	121860	507	B	42	208-230/460	7.6	84.0	16.00	B
	1760	182JM	131579	515	B	67	230/460	8.8	84.0	15.59	D
5	3450	184JM	131580	689	B	72	208-230/460	12.4	85.5	15.59	D
	1760	184JM	131581	670	B	89	230/460	13.4	86.0	15.59	D
7½	3450	184JM	131582	764	B	96	208-230/460	18.4	86.5	16.59	D
	3450	S213JM	132027	844	B	112	208-230/460	16.8	88.5	21.96	D
	1760	215JM	140622	890	B	117	208-230/460	20.4	89.5	18.84	G
10	3450	S213JM	131583	1021	B	100	208-230/460	26.2	82.5	18.59	D
	1760	215JM	140623	1099	B	136	208-230/460	26.0	89.5	19.84	G
15	3450	215JM	140764	1446	B	130	208-230/460	34.0	90.2	24.41	...
	3450	254JM	151567	1688	C	245	208-230/460	35.0	90.2	23.80	...
	1760	254JM	151568	1642	C	277	208-230/460	36.6	91.0	23.80	...
20	3450	254JM	151569	1842	C	285	208-230/460	46.2	90.2	23.80	...
	1760	254JM	151570	1992	C	321	208-230/460	48.2	91.0	25.50	...
25	3450	256JM	151417	2281	C	307	208-230/460	56.4	91.0	27.00	I
	1740	284JM	151418	2242	C	370	208-230/460	58.8	92.4	27.17	...
30	3450	284JM	151420	2705	C	375	208-230/460	69.2	91.0	27.17	...
	1740	286JM	151422	2662	C	428	208-230/460	69.8	92.4	28.74	...
40	3450	286JM	151424	3373	C	400	208-230/460	93.0	91.7	28.74	...
	1740	324JM	151426	3265	C	258	208-230/460	95.2	93.0	31.33	...

WASHGUARD THREE PHASE • TEFC • JM PUMP

HP	RPM 60 Hz	NEMA Frame	Catalog Number	List Price	Disc. Sym.	App. Wgt. (lbs.)	Voltage	F.L. Amps 230V	% F.L. Eff.	"C" Dim. (Inches)
1	1725	143JM	121579	\$823	B	37	208-230/460	3.1	82.5	15.75
1½	3450	143JM	121580	888	B	46	208-230/460	4.0	82.5	15.75
	1725	145JM	121581	911	B	53	208-230/460	4.4	84.0	15.75
2	3450	145JM	121582	1003	B	47	208-230/460	5.2	84.0	15.75
	1725	145JM	121583	940	B	49	208-230/460	5.6	84.0	16.25
3	3450	145JM	121584	1077	B	45	208-230/460	7.6	85.5	16.25
	1760	182JM	131967	1196	B	79	208-230/460	8.2	87.5	16.13
5	3450	184JM	131968	1427	B	78	208-230/460	12.0	87.5	16.13
	1760	184JM	131969	1295	B	81	208-230/460	13.0	87.5	16.63
7½	3450	184JM	131970	1564	B	110	208-230/460	16.8	88.5	17.63
	1740	213JM	140733	1745	B	133	208-230/460	20.4	89.5	19.00
10	3450	215JM	140734	2150	B	135	208-230/460	24.0	89.5	21.70
	1740	215JM	140735	2031	B	142	208-230/460	26.0	89.5	20.00
15	3450	215JM	140736	2458	B	150	208-230/460	36.0	90.2	21.70

Stainless JM pump motors on page 37.

All three phase motors, 1 HP and above, are inverter rated. Refer to page 5 for speed ranges.

RESILIENT BASE MOTORS • SINGLE PHASE

GENERAL PURPOSE OR FAN & BLOWER SERVICE • MODERATE STARTING TORQUE



Resilient Base

General Specifications:

Industrial quality, resilient (cradle) mounted, capacitor start-type, ball bearing motors for fan and blower service. Moderate starting torque electrical design to reduce stress on fan blades during start-up. Capacitor-type design has higher energy efficiency rating than split phase, single phase fan and blower motors. Suitable for belt-driven fans or fan-on-shaft applications. Self-ventilated design, may be mounted outside of the fan's airflow.

DRIP-PROOF • SINGLE PHASE RESILIENT BASE

Drip-proof design and resilient mount. Moderate starting torque. Suitable for general purpose applications.



TEFC • SINGLE PHASE RESILIENT BASE

Totally enclosed, fan cooled design makes these motors ideal for replacement in tough agricultural and industrial applications where contaminants cause failure of open drip-proof motors.



HP	RPM 60 Hz	NEMA Frame	Catalog Number	List Price	Disc. Sym.	App. Wgt. (lbs.)	Voltage	Over- load Prot.	F.L. Amps 230V	"C" Dim. (Inches)
1/4	3450	48	101434#	\$226	A	16	115/208-230	Auto.	2.0	9.39
	1725	48	100109	265	A	17	115/208-230	Auto.	2.7	9.89
	1725	48	100111#	229	A	17	115/208-230	Auto.	2.7	9.89
	1725	48	102963	265	A	17	277	Auto.	2.2*	9.89
1/3	3450	48	101431#	233	A	17	115/208-230	Auto.	2.3	9.39
	1725	48	100110	325	A	18	115/208-230	Auto.	3.3	9.89
	1725	48	101015#	265	A	18	115/208-230	Auto.	3.3	9.89
	1725	S56	100014	306	A	19	115/208-230	None	3.3	10.31
	1725	S56	100010	325	A	18	115/208-230	Auto.	3.3	10.31
	1725	S56	100063#	265	A	19	115/208-230	Auto.	3.3	10.31
	1725	S56	102964	325	A	18	277	Auto.	2.8*	10.31
1/2	3450	48	101432#	257	A	20	115/208-230	Auto.	3.4	9.89
	1725	S56	100015	330	A	21	115/208-230	None	4.4	10.81
	1725	S56	100045#	316	A	20	115/208-230	Man.	4.4	10.81
	1725	S56	101611]	350	A	22	115/208-230	Auto.	4.4	10.81
	1725	S56	100011	350	A	22	115/208-230	Auto.	4.4	10.81
	1725	S56	100064#	317	A	20	115/208-230	Auto.	4.4	10.81
	1725	S56	102965	350	A	22	277	Auto.	3.7*	10.81
	3/4	3450	48	101433#	302	A	22	115/208-230	Auto.	4.8
3450	S56H	100603	321	A	26	115/208-230	Auto.	4.9	11.31	
1725	S56H	100016	414	A	26	115/208-230	None	5.4	11.81	
1725	S56H	100046	432	A	26	115/208-230	Man.	5.4	11.81	
1725	S56H	100047#	362	A	25	115/208-230	Man.	5.5	11.81	
1725	S56H	101839]	432	A	28	115/208-230	Auto.	5.4	11.81	
1725	S56H	100012	432	A	26	115/208-230	Auto.	5.4	11.81	
1725	S56H	100065#	357	A	25	115/208-230	Auto.	5.5	11.81	
1725	S56H	102966	432	A	26	277	Auto.	4.5*	11.81	
1	3450	56H	110478	371	A	28	115/208-230	Auto.	6.0	11.85
	1725	56H	113027	450	A	30	115/208-230	None	6.4	11.81
	1725	56H	110007	468	A	29	115/208-230	Auto.	6.4	11.81
	1725	56H	110054#	458	A	32	115/208-230	Auto.	6.4	11.81
	1725	56H	116599	468	A	29	277	Auto.	5.4*	11.82
1 1/2	3450	56H	110479	477	A	30	115/230	Auto.	8.2	11.82
	1725	56H	110579 ☆□	567	A	38	115/208-230	Auto	7.2	12.82
	1725	56H	116600	567	A	38	277	Auto	6.0*	12.82
2	3450	56H	113633	597	A	38	115/208-230	Auto.	10.0	13.82
	1725	56H	113608 ☆	604	A	45	115/208-230	Auto.	10.0	13.81
	1725	56H	116601	604	A	45	277	Auto.	8.7*	13.82

* F.L. Amps at 277V

These motors have NEMA Service Factors except as noted by # which have a 1.0 Service Factor and TEFC motors, which have a 1.15 Service Factor.

HP	RPM 60 Hz	NEMA Frame	Catalog Number	List Price	Disc. Sym.	App. Wgt. (lbs.)	Voltage	Over- load Prot.	F.L. Amps 230V	"C" Dim. (Inches)
1/2	1725	56	110025	\$396	A	26	115/208-230	Auto.	4.4	11.96
3/4	1725	56	110026 □	475	A	28	115/208-230	Auto.	5.4	12.46
1	1725	56H	111915 □	539	A	31	115/208-230	Auto.	6.4	12.96

WATSAVER® PREMIUM EFFICIENCY FAN MOTORS DRIP-PROOF • SINGLE PHASE RESILIENT BASE

Premium efficiency motors for residential, agricultural and industrial belted-fan applications, when continuous or near-continuous operation is common.

Features include quiet bearings, resilient cradle base, and quiet flow-through ventilation. Class F insulated, with spade connectors on terminal board for quick and easy installation.



HP	RPM 60 Hz	NEMA Frame	Catalog Number	List Price	Disc. Sym.	App. Wgt. (lbs.)	Voltage	Over- load Prot.	F.L. Amps 115V	% F.L. Eff.	"C" Dim. (Inches)
1/4	1725	48	101602	\$295	A	19	115	Auto.	2.5	71.0	10.39
1/3	1725	48	101405	349	A	19	115	Auto.	3.2	75.0	10.39
	1725/1140	56HZ	113771 ②	466	A	30	115	Auto.	3.0	73.0	11.44
	1725/1140	56HZ	113970 ②	428	A	30	115	Auto.	3.2	73.0	11.94
1/2	1725/850	56HZ	113674 ②	466	A	30	115	Auto.	3.1	70.0	11.44
	1725/850	56HZ	113969 ②	428	A	30	115	Auto.	3.2	73.0	11.94
1/2	1725	48	101585	398	A	25	115	Auto.	4.6	76.0	11.39

FOR ADDITIONAL WATSAVER® MOTORS, SEE PAGES 13-17.

- ② These combination 56H base motors have mounting holes for 56 and 143-5T, and a 1/2" diameter shaft with flat 1 1/2" long.
- # These motors have a NEMA 1.00 Service Factor, suitable for blower and fan duty.
- ☆ Capacitor start/capacitor run design for reduced amperage, others are capacitor start/induction run.
- Combination 56 H base motors have mounting holes for NEMA 56 and NEMA 143-5T and a standard NEMA 56 shaft.
-] With terminal board.



RESILIENT BASE MOTORS • THREE PHASE

GENERAL PURPOSE OR FAN & BLOWER SERVICE • MODERATE STARTING TORQUE

General Specifications:

Industrial quality, resilient (cradle) mounted, three phase, ball bearing motors for fan and blower service. Moderate starting torque electrical design to reduce stress on fan blades during start-up. Suitable for belt-driven fans or fan-on-shaft applications. Self-ventilated design, may be mounted outside of the fan's airflow.



TEFC • THREE PHASE RESILIENT BASE

Totally enclosed, fan cooled design makes these motors ideal for replacement in tough industrial applications where contaminants cause failure of open drip-proof designs.

DRIP-PROOF • THREE PHASE RESILIENT BASE

Drip-proof design and resilient mount. Moderate starting torque. Suitable for general purpose applications.



RPM 60 Hz	NEMA Frame	Catalog Number	List Price	Disc. Sym.	App. Wgt. (lbs.)	Voltage	Over- Load Prot.	F.L. Amps 230V	% F.L. Eff.	"C" Dim. (Inches)
1/2 1725	56	111917●□	\$377	A	25	208-230/460	None	1.8	78.5	11.31
1 1725	56	111918□	424	A	29	208-230/460	None	3.8	77.0	12.46

RPM 60 Hz	NEMA Frame	Catalog Number	List Price	Disc. Sym.	App. Wgt. (lbs.)	Voltage	Over- Load Prot.	F.L. Amps 230V	% F.L. Eff.	"C" Dim. (Inches)
1/3 3450	S56	101639◆	\$271	A	17	208-230/460	Auto.	1.7	61.0	10.31
1725	S56	100210	295	A	18	208-230/460	None	1.6	64.3	10.31
1725	S56	101520◆	357	A	19	208-230/460	Auto.	1.6	64.3	10.81
1/2 3450	S56	101640◆	325	A	18	208-230/460	Auto.	2.4	69.0	10.31
1725	S56	100145	338	A	22	208-230/460	None	2.0	68.0	10.81
1725	S56H	100796◆	393	A	22	208-230/460	Auto.	2.0	68.0	11.31
3/4 3450	S56	101773	340	A	20	208-230/460	None	2.4	79.0	10.81
3450	S56H	101641◆	396	A	20	208-230/460	Auto.	2.4	79.0	11.31
1725	S56H	100146	375	A	25	208-230/460	None	2.8	75.0	11.31
1725	S56H	100908◆	426	A	26	208-230/460	Auto.	2.8	75.0	11.81
1 3450	56	114192	362	A	24	208-230/460	None	3.2	77.0	10.82
3450	56	113895◆	418	A	25	208-230/460	Auto.	3.2	77.0	10.82
1725	56	110052	394	A	23	208-230/460	None	4.2	78.5	11.31
1725	56H	111311◆	443	A	27	208-230/460	Auto.	4.2	78.5	11.31
1 1/2 3450	56H	114194	440	A	31	208-230/460	None	4.2	81.5	11.82
3450	56H	113896◆	474	A	29	208-230/460	Auto.	4.2	81.5	11.82
1725	56H	110433	453	A	32	208-230/460	None	5.6	78.5	11.81
1725	56H	113846◆	470	A	29	208-230/460	Auto.	5.6	78.5	11.81
2 3450	56H	114196	510	A	36	208-230/460	None	5.6	82.9	12.32
3450	56H	113897◆	549	A	39	208-230/460	Auto.	5.6	82.9	12.32
1725	56H	114197	492	A	37	208-230/460	None	6.2	78.5	12.31
1725	56H	113847◆	539	A	34	208-230/460	Auto.	6.2	78.5	12.31
3 3450	56HZ	113926◆	542	A	40	208-230/460	Auto.	7.6	84.0	13.19
1725	56HZ	116593◆	591	A	47	230/460	Auto.	8.6	82.5	14.19
5 3490	145T	121665	609	B	49	208-230/460	Auto.	12.4	85.5	13.82

- These motors are totally enclosed, non-ventilated.
- Combination 56 H base motors have mounting holes for NEMA 56 and NEMA 143-5T and a standard NEMA 56 shaft.
- ◆ Automatic reset overload protection. Do not use with variable frequency drives.

QUICK REFERENCE

FHP FAN MOTORS	Page 59
FAN & BLOWER MOTORS.....	57
AUTO OVERLOAD MOTORS.....	20

All three phase motors, 1 HP and above, are inverter rated. Refer to page 5 for speed ranges.

TWO-WINDING VARIABLE TORQUE PSC TYPE FOR SHAFT MOUNTED FAN APPLICATIONS

These fan and blower duty motors are designed for dependable, energy saving performance in applications where the fan is mounted on the shaft of the motor. The permanent split capacitor design does not require a centrifugal switch, resulting in higher reliability than on other types of single phase motors. This design is also more energy efficient and less expensive to operate.



These motors may be operated at listed speed or two speed operation may be achieved by using the proper auxiliary switch. They are suitable for variable speed by adjusting the voltage to the motor using a variable voltage control.^④

Overload protected with a UL and CSA recognized automatic reset protector. Grounding provisions. Totally enclosed, dust tight design, with resilient mounting for quiet operation. Lubricated with Exxon POLYREX[®] EM high temperature lubricant. Exterior coating on 56-frame motors is two-stage epoxy and on 48-frame motors a baked-on powder coat is applied for extra corrosion resistance in tough applications. Because of the inherently low starting torques of this design, these motors are not suitable for belt driven fan applications. They must be mounted within the air stream of the driven fan.



TWO-SPEED, TWO-WINDING VARIABLE TORQUE FOR BELT DRIVEN OR SHAFT MOUNTED FAN APPLICATIONS

Variable torque, two-speed motors are suited for belted or fan on shaft applications. They are self ventilated, and may be mounted within or outside of the driven fan's air stream.



Resilient mounted for quiet operation, and lubricated with high temperature Exxon POLYREX[®] EM lubricant.

3/4 HP and larger single phase are capacitor start motors; smaller single phase are split phase start.

- Suitable for single speed operation only.
- ① Has provisions for Bellyband and pedestal fan mounting – no rigid base.
- ② In addition to resilient base, this motor has provisions for Bellyband and pedestal mounting.
- Combination 56H base motors have mounting holes for NEMA 56 and NEMA 143-5T and a standard NEMA 56 shaft.
- ④ These 825 and 1075 RPM motors suitable for single speed operation only.
- * The shaft of this motor is 3/4" longer to accommodate fan on shaft mountings. 48Z is 1/2" diameter by 2 1/4". 56Z is 5/8" diameter, 2 5/8" long. All have 1" extended through bolts, except Catalog Numbers 100805 and 100806 which are extended 1/4".
- ☆ Capacitor start/capacitor run design for reduced amperage, others are capacitor start/induction run.
- ✓ This split phase start, capacitor run motor is suitable for belt drive within the airflow of the fan.

SINGLE PHASE • PSC TYPE • RESILIENT BASE TOTALLY ENCLOSED AIR OVER (TEAO)

HP	RPM 60 Hz	NEMA Frame	Catalog Number	List Price	Disc. Sym.	App. Wgt. (lbs.)	Voltage	Over- load Prot.	F.L. Amps 230V	"C" Dim. (Inches)
1/4	1625	48Z*	100803	\$317	A	19	115/230	Auto.	1.4	10.66
	1075	48Z*	100824	374	A	20	115/230	Auto.	1.4	10.66
	1075	S56Z*	100805	401	A	22	115/230	Auto.	1.4	11.06
1/3	1625	48Z*	100804	342	A	21	115/230	Auto.	1.6	10.66
	1625	S56H	100767	369	A	22	115/230	Auto.	1.6	10.31
	1625	56HY	111348 ^②	369	A	29	115/230	Auto.	1.7	12.94
	1075	48Z*	100825	433	A	25	115/230	Auto.	1.8	11.16
	1075	S56HZ*	100806	459	A	27	115/230	Auto.	1.8	11.56
1/2	1625	56HZ*	111323	385	A	30	115/230	Auto.	2.6	12.56
	1625	S56H	100768	393	A	36	115/230	Auto.	2.2	10.81
	1075	48Z*	101645	506	A	27	115/230	Auto.	2.8	11.16
	1075	56HZ*	111321 [□]	497	A	37	115/230	Auto.	3.0	13.56
	825	56HZ*	111919 ^{□④}	615	A	45	115/230	Auto.	3.2	13.56
3/4	1625	56HZ*	111324	570	A	34	115/230	Auto.	3.5	13.06
	1625	56H	111266	570	A	36	115/230	Auto.	3.5	12.31
	1075	56HZ*	111322 ^{□④}	587	A	44	115/230	Auto.	4.0	13.56
1	1625	56HZ*	111267	598	A	39	115/230	Auto.	4.4	12.81

These motors have a 1.0 Service Factor.

SINGLE PHASE • PSC TYPE • RIGID BASE TOTALLY ENCLOSED AIR OVER (TEAO)

HP	RPM 60 Hz	NEMA Frame	Catalog Number	List Price	Disc. Sym.	App. Wgt. (lbs.)	Voltage	Over- load Prot.	F.L. Amps 230V	"C" Dim. (Inches)
1/4	1625	48Y	100699	\$310	A	19	115/230	Auto.	1.4	10.65
	1750	48Y	101252 [•]	313	A	19	115/208-230	Auto.	1.5	10.40
1/3	1625	48Y	100700	359	A	21	115/230	Auto.	1.6	10.65
	1625	56Y	111202 ^①	359	A	27	115/230	Auto.	1.7	12.00
	1750	48Y	101253 [•]	362	A	22	115/208-230	Auto.	1.9	10.65
	1140	S56Z	100604	451	A	23	115/230	Auto.	1.8	11.40
1/2	1625	48Y	100701	380	A	25	115/230	Auto.	2.5	12.15
	1750	S56Y	101176 ^{•✓}	383	A	24	115/230	Auto.	3.5	10.40

SINGLE PHASE • DRIP-PROOF • RESILIENT BASE

HP	RPM 60 Hz	NEMA Frame	Catalog Number	List Price	Disc. Sym.	App. Wgt. (lbs.)	Voltage	Over- load Prot.	F.L. Amps High/Low	"C" Dim. (Inches)
1/4-1/12	1725/1140	48Z*	101020	\$282	A	20	115	None	4.2-3.2	11.64
1/3-0.15	1725/1140	S56H	101021	356	A	26	115	None	5.0-4.6	12.27
1/2-1/4	1725/1140	56H	111953	446	A	33	115	None	7.8-4.6	12.31
	1725/1140	56H	113643	446	A	33	230	None	3.9-2.3	12.31
3/4-1/3	1725/1140	56H	111954 [□]	647	A	38	115	None	11.6-7.4	12.81
	1725/1140	56H	113672 [□]	647	A	39	230	None	5.8-3.7	12.81
1-0.44	1725/1140	56H	111955 ^{□☆}	763	A	41	115	None	13.2-9.5	12.81
	1725/1140	56H	113373 ^{□☆}	763	A	39	230	None	6.5-4.6	12.81

THREE PHASE • DRIP-PROOF • RESILIENT BASE

HP	RPM 60 Hz	NEMA Frame	Catalog Number	List Price	Disc. Sym.	App. Wgt. (lbs.)	Voltage	Over- load Prot.	F.L. Amps High/Low	"C" Dim. (Inches)
1/2-.22	1725/1140	56H	111956	\$673	A	32	208-230	None	1.8-1.1	12.31
	1725/1140	56H	111957	673	A	32	460	None	0.9-0.5	12.31
3/4-1/3	1725/1140	56H	111958 [□]	709	A	36	208-230	None	2.8-1.6	12.81
	1725/1140	56H	111959 [□]	709	A	36	460	None	1.4-0.8	12.81
1-0.44	1725/1140	56H	111960 [□]	763	A	40	208-230	None	4.0-2.4	12.81
	1725/1140	56H	111961 [□]	763	A	40	460	None	1.8-1.0	12.81
1 1/2-.67	1725/1140	56H	111962 [□]	925	A	40	208-230	None	5.0-2.6	12.81
	1725/1140	56H	111963 [□]	925	A	40	460	None	2.5-1.3	12.81

These motors have a 1.0 Service Factor.

AERATION FAN MOTORS

Totally Enclosed Air Over Motors, dust tight, suitable for shaft mounted fans or belt driven fans. Capacitor start designs.

Designed to be used within the airflow of the driven fan, these motors offer protection from the environment and are finished in epoxy enamel to resist corrosion in tough atmospheres.

Lubricated with high temperature Exxon POLYREX® EM lubricant. Grounding provisions. Fully gasketed.



SINGLE PHASE • CAPACITOR START • RIGID BASE

HP	RPM 60 Hz	NEMA Frame	Catalog Number	List Price	Disc. Sym.	App. Wgt. (lbs.)	Voltage	Over- load Prot.	F.L. Amps 230V	"C" Dim. (Inches)
3/4	3450	56Z	111332⑦	\$321	A	27	115/230	None	5.0	10.90
1	3450	56Z	111333⑦	380	A	29	115/230	None	6.0	10.90
1½	3450	56Z	111949⑦	492	A	32	115/230	None	8.5	11.40
	3450	143TZ	120374⑧	528	B	32	115/230	None	8.5	11.84
2	3450	145TZ	120375⑧	644	B	41	230	None	10.0	13.34
3	3450	145T	120376☆	677	B	45	230	None	12.8	13.84

**These TEAO motors have a 1.0 Service Factor.
Built-in terminal panel for quick easy connections.**

THREE PHASE • RIGID BASE

HP	RPM 60 Hz	NEMA Frame	Catalog Number	List Price	Disc. Sym.	App. Wgt. (lbs.)	Voltage	F.L. Amps 230V	% F.L. Eff.	"C" Dim. (Inches)
3/4	3450	56Z	111334⑦	\$327	A	21	208-230/460	2.4	75.5	9.88
1	3450	56Z	111335⑦	356	A	22	208-230/460	3.2	77.0	9.90
1½	3450	143TZ	120377⑧	409	B	31	208-230/460	4.2	82.5	11.34
2	3450	145TZ	120378⑧	484	B	34	208-230/460	5.6	82.5	11.84
3	3450	145T	120379⑧	544	B	38	208-230/460	7.6	84.0	12.34

These TEAO motors have a 1.0 Service Factor.

CONDENSER FAN MOTORS

For Shaft Mounted Fan Applications

Belly Band Mount Fan Motors designed for operating vertical shaft-up on condenser fan, air over applications.

Enclosed endshield on shaft-end prevents contaminants from entering motor when mounted vertical shaft-up. Designed for belly band mount with three support screws located at 120° increments in motor frame. Shaft flingers located both internally and externally.

Double sealed ball bearings with Exxon POLYREX® EM grease having operating temperature range of -20°F to +350°F and special formulation to provide extra long life and moisture resistance. Phosphatized shaft for corrosion resistance. Gasketed conduit box. Ground screw accommodations.

1.15 Service Factor. Automatic overload protector also guards against primary single phasing—UL component recognized (File E57955).



THREE PHASE • DRIP-PROOF ★ AUTOMATIC OVERLOAD • BELLY BAND & RIGID MOUNT

HP	RPM 60 Hz	NEMA Frame	Catalog Number	List Price	Disc. Sym.	App. Wgt. (lbs.)	Voltage	F.L. Amps 230V	% F.L. Eff.	"C" Dim. (Inches)
1/2	1140	56Y	116772Δ	\$476	A	25	208-230/460	2.8	66.0	12.56
3/4	1140	56Y	116773Δ	516	A	31	208-230/460	3.4	75.5	13.06
	1140	56Y	111147Δ	586	A	37	208-230/460	3.6	77.0	14.06
1	1140	56Y	115778+	544	A	37	208-230/460	4.0	77.0	14.05
	1140	56Y	111148Δ	640	A	42	208-230/460	5.2	78.0	15.06
1½	1140	56HY	115779+	592	A	39	208-230/460	5.6	79.0	15.55

⑦ Standard 5/8" diameter shaft with keyway plus 3/4" deep hole drilled and tapped to 1/4-20 UNC in end of shaft to facilitate mounting of some fan blades.

⑧ Standard 7/8" diameter shaft with keyway plus 3/4" deep hole drilled and tapped to 1/4-20 UNC in end of shaft to facilitate mounting of some fan blades.

☆ Capacitor start/capacitor run design for reduced amperage, others are capacitor start/induction run.

+ Rigid base.

Δ Belly band mount.

★ Do Not use with AC Inverters.

FAN & BLOWER MOTORS

SINGLE PHASE • COMMERCIAL DUTY



INDUSTRIAL SPLIT PHASE MOTORS

LEESON FHP Commercial Duty, split phase motors with moderate starting torque, designed for continuous duty on ventilation fans, blowers and other belt driven or fan on shaft applications.



Resilient base for quiet operation. Prelubricated ball bearings for long life in commercial and industrial environments. Has automatic thermal overload and built-in terminal panel style connection provisions.

DRIP-PROOF • RESILIENT BASE • AUTOMATIC OVERLOAD

HP	RPM 60 Hz	NEMA Frame	Catalog Number	List Price	Disc. Sym.	App. Wgt. (lbs.)	Voltage	Over- load Prot.	F.L. Amps 115V	Service Factor	"L" Dim. (Inches)	"C" Dim. (Inches)
1/4	1725	48	191868	\$188	A	15	115/230	Auto.	4.6	1.35	4.00	9.37
1/3	1725	48	191869	202	A	17	115/230	Auto.	5.8	1.35	4.51	9.88
1/2	1725	48	191870	234	A	19	115/230	Auto.	8.4	1.25	5.02	10.39

Dimensions on Page 316

Ⓢ Motors built after December 01, 2005 will have terminal boards.

RESIDENTIAL/INDUSTRIAL BELTED FAN MOTORS SPLIT PHASE

Designed for use in residential and commercial fans and blowers where low starting torque is required. (Air conditioners, roof ventilators and exhaust fans.)



OPEN DRIP-PROOF • RESILIENT BASE • AUTOMATIC OVERLOAD

HP	RPM 60 Hz	NEMA Frame	Bearing Type	Catalog Number	List Price	Disc. Sym.	App. Wgt. (lbs.)	Voltage	Over- load Prot.	F.L. Amps 115V	"C" Dim. (Inches)
1/4	1725	48YZ [Ⓢ]	Ball	M900195	\$172	A	13	115	Auto.	5.0	9.72
1/3	1725/1140	56	Ball	M900277	330	A	20	115	Auto.	5.3/2.9	10.78
	1725	48YZ [Ⓢ]	Ball	M900196	201	A	15	115	Auto.	6.1	9.72
1/2	1725/1140	56	Ball	M900599	414	A	30	115	Auto.	8.4/4.5	11.85
	1725	48YZ [Ⓢ]	Ball	M900197	264	A	20	115	Auto.	7.2	10.72

Sleeve or ball bearings. NEMA Service factors. Resilient[Ⓢ] 48YZ motors have std. 48-frame base with 1/2" dia. x 1 7/8" long shaft ext. with flat. Also includes sleeve to convert shaft to 5/8" dia. with 3/16" square key.

PREMIUM EFFICIENCY INDUSTRIAL/RESIDENTIAL BELTED FAN MOTORS

High-efficiency motors for residential or industrial belted fan application. Features include quiet ball bearings, resilient cradle base and "Super-Hush" flow-through ventilation.



Rotors are specially balanced for smooth and quiet operation.

Spade connectors on terminal board in standard wiring format along with industry standard mounting allow for quick and easy interchange with other makes.

OPEN DRIP-PROOF • 115V • SINGLE PHASE

HP	RPM 60 Hz	NEMA Frame	Catalog Number	List Price	Disc. Sym.	App. Wgt. (lbs.)	Voltage	Over- load Prot.	F.L. Amps 115V	% F.L. Eff.	"C" Dim. (Inches)
1/4	1725	48	M090602*	\$223	A	15	115	Auto.	2.5	71.0	9.88
1/3	1725	48	M090405*	234	A	19	115	Auto.	3.2	75.0	9.88
1/2	1725	48	M090585**	287	A	22	115	Auto.	4.6	76.0	10.50

* Split-phase start, capacitor run

** Capacitor start, capacitor run



Features:

- Drop-in replacement for most standard belted-fan motors
- Extremely quiet running compared to standard fan motors
- Consumes approximately half of the power of a standard fan motor

PEDESTAL FAN MOTORS

LEESON FHP Commercial Duty totally enclosed, air over fan motors for air circulators where motor is mounted directly to fan column.



Energy efficient, permanent split capacitor type design eliminates the centrifugal switch for "three phase" reliability. Totally enclosed ball bearing design for commercial and industrial environments. Automatic thermal overload protection, reversible.

Heavy-gauge steel yoke is welded to the motor frame. Four 10-32 mounting studs are extended 1.0" on 5.14" bolt circle for mounting of fan shroud.

Motors are UL and CSA Recognized for both the U.S. and Canadian markets.

SINGLE PHASE • PSC TYPE • TEAO • YOKE MOUNTED AUTOMATIC OVERLOAD • 1.0 S.F.

HP	RPM 60 Hz*	NEMA Frame	Catalog Number	List Price	Disc. Sym.	App. Wgt. (lbs.)	Voltage	Over- load Prot.	F.L. Amps 115V	"L" Dim. (Inches)	"C" Dim. (Inches)
1/4	1625	48Y	191872	\$188	A	14	115/230	Auto.	2.6	0.500	10.95
	1625	48Y	191908	188	A	14	115/230	Auto.	2.6	0.625	10.95
	1075	48Y	191891	208	A	22	115/230	Auto.	2.4	0.500	10.95
1/3	1075	48Y	191909	208	A	25	115/230	Auto.	2.4	0.625	10.95
	1625	48Y	191871	205	A	15	115/230	Auto.	3.4	0.500	10.95
	1625	48Y	191910	205	A	15	115/230	Auto.	3.4	0.625	10.95
1/2	1075	48Y	191892	233	A	23	115/230	Auto.	3.0	0.500	11.46
	1075	48Y	191911	233	A	26	115/230	Auto.	3.0	0.625	11.46
	1625	48Y	191873	237	A	24	115/230	Auto.	4.6	0.500	10.95
1/2	1625	48Y	191875	237	A	24	115/230	Auto.	4.6	0.625	10.95
	1075	48Y	191893	270	A	26	115/230	Auto.	5.0	0.500	11.93
	1075	48Y	191912	270	A	26	115/230	Auto.	5.0	0.625	11.93

*Two speed operation possible by connecting 115V power to 230V connections. Actual speed (approx. 67% of rated speed) will depend on fan blade design.

Dimensions on page 316

FOR WATTS AVER[®]
PREMIUM EFFICIENCY FAN MOTORS
SEE PAGE 19



INSTANT REVERSING MOTORS

INSTANT REVERSING MOTORS

PARKING GATES, DOOR OPERATORS & SLIDE GATES

General Specifications:

Specially designed motors for use on "instant-reversing" parking gates, doors, slide gates, or other moderate starting torque instant reversing applications. Capable of frequent reversing service.



Features (Resilient Base and C Face):

Instant "plug-reversing" with simple three-wire connection. Permanent split capacitor design offering low inrush and full load amps. Manual reset overload protector. Starting torque approximately 150% of full load, not suitable for hard to start loads.



Features (Rigid Base):

Capacitor start, induction run motors with solid state, instant reversing switch. Manual reset overload protector.



RESILIENT BASE • SINGLE PHASE • DRIP-PROOF

HP	RPM 60 Hz	NEMA Frame	Catalog Number	List Price	Disc. Sym.	App. Wgt. (lbs.)	Voltage	Over- load Prot.	F.L. Amps 115V	"C" Dim. (Inches)
1/3	1625	S56	191742	\$363	A	18	115	Man.	4.0	10.31
1/2	1625	S56	100802	408	A	24	115	Man.	6.1	11.31
	1625	S56	191743	408	A	24	115	Man.	4.6	10.31
3/4	1625	56H	113642	487	A	33	115	Man.	8.2	11.31

C FACE LESS BASE • SINGLE PHASE • DRIP-PROOF

HP	RPM 60 Hz	NEMA Frame	Catalog Number	List Price	Disc. Sym.	App. Wgt. (lbs.)	Voltage	Over- load Prot.	F.L. Amps 115V	"C" Dim. (Inches)
1/3	1625	S56C	102017	\$363	A	18	115	Man.	4.2	9.99
1/2	1625	S56C	102021	408	A	22	115	Man.	6.1	10.49
	1625	S56C	100704*	408	A	16	115	Man.	5.1	10.24

* Motor has same electrical design as 102017, but is rated for intermittent duty.

RIGID BASE • SINGLE PHASE • TEFC

HP	RPM 60 Hz	NEMA Frame	Catalog Number	List Price	Disc. Sym.	App. Wgt. (lbs.)	Voltage	Over- load Prot.	F.L. Amps 230V	"C" Dim. (Inches)
3/4	1725	56	114932	\$523	A	30	115/208-230	Man.	5.4	11.31
1	1725	56	114933	571	A	30	115/208-230	Man.	6.4	11.81



**PRESSURE WASHER PUMP MOTORS
LOW AMPERAGE DESIGN**

Motors specially suited for hot or cold pressure washer applications and other single phase installations requiring minimum starting and running amperages. Capacitor start, capacitor run construction for reduced amperage.



Mechanical Features:

Double shield ball bearings prelubricated with Exxon POLYREX® EM lubricant, having operating temperature range of -20°F to +350°F and special formulation to provide extra long life and moisture resistance. Dynamically balanced rotor and shaft assembly.



Electrical Features:

High efficiency reduced amperage energy saving designs. Stator impregnated with extra heavy varnish system. High temperature copper magnet wire for high overload capacity. Capacitor start/ capacitor run design for reduced amperage. Grounding provision in conduit box. Manual reset overload protector protects against automatic resets. High overload capacities provided by service factor. **All 180 and 210 frame Rolled Steel motors have Class F Insulation.**

C FACE WITH BASE • SINGLE PHASE • TEFC

HP	RPM 60 Hz	NEMA Frame	Catalog Number	List Price	Disc. Sym.	App. Wgt. (lbs.)	Voltage	Over- load Prot.	F.L. Amps 230V	"C" Dim. (Inches)
1/3	1725	56C	116485§	\$455	A	29	115/ 208-230	Man.	3.2	10.81
	1725	56C	116486§	522	A	23	115/ 208-230	Man.	4.4	10.81
3/4	1725	56C	116487§	608	A	30	115/ 208-230	Man.	5.4	11.31
	1	3450	56C	115877	398	A	28	115/ 208-230	Man.	6.0
1725		56C	115879	530	A	32	115/ 208-230	Man.	6.4	11.81
1½	3450	56C	115024☆	541	A	35	115/ 208-230	Man.	6.2	12.31
	1725	56HC	116703♣	634	A	39	115/ 208-230	Man.	8.6	12.81
2	3450	56HC	114995☆	643	A	42	115/ 208-230	Man.	9.2	13.31
	1725	145TC	121465♣	851	B	44	115/ 208-230	Man.	9.2	13.75
3	3450	56HC	115048☆♣†	704	A	53	208-230	Man.	14.0	13.81
	1740	184TC	131857☆	1175	B	104	230	Man.	13.7	17.61
5	3450	184TC	131632†	1182	B	103	230	Man.	19.8	16.97
	1740	184TC	131633♣†	1231	B	989	230	Man.	23.0	16.97

RIGID BASE • SINGLE PHASE • DRIP-PROOF

HP	RPM 60 Hz	NEMA Frame	Catalog Number	List Price	Disc. Sym.	App. Wgt. (lbs.)	Voltage	Over- load Prot.	F.L. Amps 230V	"C" Dim. (Inches)
3/4	3450	S56	100053	\$323	A	24	115/208-230	Man.	4.9	10.49
	1725	S56	101544☆	467	A	28	115/208-230	Man.	4.0	11.24
1	3450	56	110097	335	A	27	115/208-230	Man.	6.0	10.84
	1725	56	113630☆	507	A	31	115/208-230	Man.	5.3	10.84
1½	3450	56	113631☆	443	A	36	115/208-230	Man.	6.2	11.34
	1725	56H	113266☆□	591	A	42	115/208-230	Man.	6.7	12.38
	1725	145T	120004☆	631	B	40	115/208-230	Man.	8.6	12.28
2	3450	56	113632☆	598	A	36	115/208-230	Man.	8.6	11.34
	1725	56H	116704□	631	A	45	115/208-230	Man.	8.6	12.88
	1725	145T	120879	663	B	53	115/208-230	Man.	8.6	13.31
3	3450	56H	116706☆†	436	A	39	230	Man.	15.0	12.38
	1740	184T	131851☆	768	B	72	208-230	Man.	13.7	15.22
5	3450	56H	116708☆♣†	511	A	45	230	Man.	20.8	13.34
	1740	184T	131622	933	B	82	208-230	Man.	21.0	14.69

RIGID BASE • SINGLE PHASE • TEFC

HP	RPM 60 Hz	NEMA Frame	Catalog Number	List Price	Disc. Sym.	App. Wgt. (lbs.)	Voltage	Over- load Prot.	F.L. Amps 230V	"C" Dim. (Inches)
3/4	3450	56	110108	\$340	A	26	115/208-230	Man.	5.0	11.31
	1725	56	110022	462	A	29	115/208-230	Man.	5.4	11.31
1	3450	56	110142	417	A	28	115/208-230	Man.	6.0	11.81
	1725	56	110023	524	A	29	115/208-230	Man.	6.4	11.81
	1725	143T	120008	524	B	31	115/208-230	Man.	6.4	12.75
1½	3450	56	110109♣	573	A	31	115/208-230	Man.	8.5	12.31
	1725	56H	113333♣□	592	A	38	115/208-230	Man.	8.6	12.81
	1725	145T	120009♣	592	B	42	115/208-230	Man.	8.6	13.25
2	3450	56H	110402□♣†	669	A	41	115/208-230	Man.	10.0	13.31
	3450	145T	120395♣†	676	B	44	115/208-230	Man.	10.0	13.75
	1725	145T	120867♣	851	B	48	115/208-230	Man.	9.2	13.75
3	3450	56H	116705□♣†	697	A	53	230	Man.	14.0	13.81
	1740	184T	131855☆	922	B	88	230	Man.	13.7	16.86
5	3450	184T	132042	1152	B	103	230	Man.	19.8	16.97
	1740	184T	131856☆	1072	B	95	230	Man.	21.0	17.86

C FACE WITH BASE • SINGLE PHASE • DRIP-PROOF

HP	RPM 60 Hz	NEMA Frame	Catalog Number	List Price	Disc. Sym.	App. Wgt. (lbs.)	Voltage	Over- load Prot.	F.L. Amps 230V	"C" Dim. (Inches)
1½	3450	56C	114214	\$472	A	35	115/208-230	Man.	6.2	11.34
	1725	56HC	113700☆□	624	A	38	115/208-230	Man.	7.2	11.84
2	3450	56C	114215	599	A	45	115/208-230	Man.	8.6	11.34
	1725	56HC	113281☆□	646	A	45	115/208-230	Man.	8.6	12.88
3	3450	56HC	116707☆□†	454	A	41	230	Man.	15.0	12.38
	1740	184TC	131853☆	768	B	87	208-230	Man.	15.4	15.96
5	3450	56HC	116709□†♣	530	A	46	230	Man.	20.8	13.54
	1740	184TC	131630☆	945	B	77	208-230	Man.	21.0	14.69

☆ Capacitor start/capacitor run design for reduced amperage, others are capacitor start/induction run.
 □ Combination 56H base motors have mounting holes for NEMA 56 and NEMA 143-5T and a standard NEMA 56 face and 5/8" shaft.
 ♣ 1.0 Service Factor
 † Class F insulation
 § Farm Duty motor

COMPRESSOR DUTY



General Specifications:

Motors designed for air compressor, pump, and fan and blower duty applications which require high breakdown torque and rugged mechanical construction.

Mechanical Features:

Prelubricated double shielded, amply sized, ball bearing construction to accommodate varying belt loads and tension.

Electrical Features:

High efficiency energy saving designs. Class "F" copper windings. Class "F" varnish. High starting and breakdown torque. Single phase motors are wired for CW rotation facing lead end. They may be reconnected for CCW rotation. The compressor motors shown here are the ratings most common to this application. For additional motors of different HP, RPM, etc., see pages 6-13. All 180 and 210 frame Rolled Steel motors have Class F Insulation.

SINGLE PHASE • DRIP-PROOF • RIGID BASE

HP	RPM 60 Hz	NEMA Frame	Catalog Number	List Price	Disc. Sym.	App. Wgt. (lbs.)	Voltage	Over- load Prot.	F.L. Amps 230V	"C" Dim. (Inches)
1	3450	56	110160	\$323	A	27	115/230	Man.	6.7	11.38
	1725	143T	120044	450	B	38	115/208-230	None	6.4	11.28
	1725	143T	120003	473	B	33	115/208-230	Man.	6.4	11.13
1½	3450	56	110161	355	A	33	115/230	Man.	10.0	11.88
	1725	145T	120042☆	497	B	38	115/208-230	None	8.6	12.28
	1725	145T	120004☆	631	B	40	115/208-230	Man.	8.6	12.28
2	3450	56	110232	369	A	33	115/230	Man.	11.0	11.88
	1725	182T	131515	600	B	56	115/208-230	None	12.4	13.19
	1725	182T	131536	643	B	63	115/208-230	Man.	8.8	10.66
3	3450	56Y	110222⊗†	415	A	38	230	Man.	15.0	12.38
	1725	184T	131534	650	B	69	115/230	None	16.9	14.19
5SPL	3450	56	116523☆	500	A	35	208-230	Man.	15.0	11.44
5	3450	56Y	111275☆⊗†	515	A	44	230	Man.	20.8	13.34
	3450	56Y	116789☆†	530	A	45	230	Man.	20.8	12.38
	3450	145T	120554☆†	522	B	46	230	Man.	20.8	13.12
	1725	184T	131537☆	780	B	83	230	None	21.0	14.69
	1725	184T	131622☆	933	B	82	230	Man.	21.0	14.69
7½	3450	184T	132044☆	752	B	110	208-230	Tstat	31.0	16.69
	3450	213T	140680☆	1270	B	112	208-230	None	29.5	16.55
	1740	215T	140155☆	1108	B	113	230	None	36.0	17.26
10	3450	215T	140681☆	1605	B	135	208-230	None	37.0	18.05
	1725	215TZ	140311☆✓	1620	B	140	230	None	43.0	19.76

THREE PHASE • DRIP-PROOF • RIGID BASE

HP	RPM 60 Hz	NEMA Frame	Catalog Number	List Price	Disc. Sym.	App. Wgt. (lbs.)	Voltage	F.L. Amps 230V	% F.L. Eff.	"C" Dim. (Inches)
1	1725	143T	G120010	\$351	B	30	208-230/460	3.1	82.5	11.28
1½	1725	145T	G120011	373	B	37	208-230/460	4.4	84.0	12.13
2	1725	145T	G120012	400	B	45	208-230/460	6.0	84.0	12.12
3	1740	182T	G130000	440	B	57	208-230/460	8.4	86.5	12.69
5	1740	184T	G130004	488	B	69	208-230/460	13.2	87.5	13.69
7½	1740	213T	G140471	709	B	144	208-230/460	20.0	88.5	15.25
10	1740	215T	G140490	847	B	132	208-230/460	28.0	89.5	16.75
20	1750	256T	G150006†	1580	C	307	208-230/460	48.0	91.7	22.60

THREE PHASE • TEFC • RIGID BASE

HP	RPM 60 Hz	NEMA Frame	Catalog Number	List Price	Disc. Sym.	App. Wgt. (lbs.)	Voltage	F.L. Amps 230V	F.L. Eff.	"C" Dim. (Inches)
3	1740	182T	G130008	\$499	B	68	230/460	8.2	87.5	13.96
5	1740	182T	G130027	574	B	80	230/460	13.0	87.5	14.96
7½	1740	213T	G140578	769	B	144	208-230/460	20.4	89.5	17.71
10	1740	215T	G140489	891	B	167	208-230/460	26.0	89.5	18.71
15	1750	254T	G150066†	1405	C	277	208-230/460	36.6	91.0	23.19
20	1750	256T	G150007†	1729	C	321	208-230/460	48.2	91.0	24.92

- ☆ Capacitor start/capacitor run design for reduced amperage, others are capacitor start/induction run.
- † Class F insulated.
- ✓ Motor with standard diameter shaft, 1.0" longer than standard.
- ⊗ Special BA dimension 2.31" for belt guard clearance.
- † Motor has mounting base with 182-4T mounting holes, shaft height is 4.5". Shaft is std. NEMA 56 – 5/8" dia. x 1 7/8" long.

SHADED FRAME INDICATES CAST IRON CONSTRUCTION

Catalog numbers in green are EPACT motors.

WOODWORKING MOTORS

General Specifications:

Motors designed for woodworking equipment such as table saws, planers, etc.

Totally enclosed designs prevent motor problems caused by wood dust and shavings.



SINGLE PHASE • TEFC • RIGID BASE

HP	RPM 60 Hz	NEMA Frame	Catalog Number	List Price	Disc. Sym.	App. Wgt. (lbs.)	Voltage	Over- load Prot.	F.L. Amps 230V	"C" Dim. (Inches)
3/4	3450	56	110108	\$340	A	26	115/208-230	Man.	5.0	11.31
1	3450	56	110142	417	A	28	115/208-230	Man.	6.0	11.81
1½	3450	56	110109	573	A	34	115/208-230	Man.	8.5	12.31
2	3450	56H	110402 ✱†	669	A	41	115/208-230	Man.	10.0	13.31
		145T	120395 ✱†	676	B	44	115/208-230	Man.	10.0	13.75
3	3450	145T	120341 ☆†	693	B	46	230	None	13.0	14.25

SINGLE PHASE • TEFC • C FACE LESS BASE

HP	RPM 60 Hz	NEMA Frame	Catalog Number	List Price	Disc. Sym.	App. Wgt. (lbs.)	Voltage	Over- load Prot.	F.L. Amps 230V	"C" Dim. (Inches)
3	3450	145TC	120824 ☆	\$749	B	56	230	Man.	13.0	14.25

TABLE SAW MOTOR

General Specifications:

Totally enclosed fan cooled motor produces extra high breakdown torques for maximum cutting power.

Supplied with 8-foot cord and 115V plug, on/off toggle switch. CW rotation, facing lead end. Replaces Delta motor number 62-042.



SINGLE PHASE • TEFC • RIGID BASE

HP	RPM 60 Hz	NEMA Frame	Catalog Number	List Price	Disc. Sym.	App. Wgt. (lbs.)	Voltage	Over- load Prot.	F.L. Amps 230V	"C" Dim. (Inches)
1½	3450	56	113627	\$673	A	39	115/230	Man.	7.5	12.31

CONTRACTORS' SAW MOTORS

Special Mounting:

Motor pivots on rod for belt tensioning. Totally enclosed fan cooled motor produces extra high breakdown torques for maximum cutting power. Has 1¾" long shaft, ¾" diameter with keyway. Added 54" cord to all motors 1½-4 HP. Catalog numbers 120925 and 120997 replace Delta UNISAW® motor 83-621 (1½ HP); 120728 and 120998 replace Delta UNISAW® motor 83-651 (3 HP).



SINGLE PHASE • TEFC • DELTA UNISAW® MOUNTING

HP	RPM 60 Hz	NEMA Frame	Catalog Number	List Price	Disc. Sym.	App. Wgt. (lbs.)	Voltage	Over- load Prot.	F.L. Amps 230V	"C" Dim. (Inches)
1½	3450	143Y	120925	\$602	B	44	115/230	None	10.0	12.68
2	3450	143Y	120997	661	B	44	115/230	None	11.0	12.68
3	3450	145Y	120728 ☆	843	B	52	230	None	13.0	13.68
4	3450	145Y	120998 ☆	880	B	48	230	None	17.6	13.68

UNISAW® is a registered trademark of Delta International.

CONTRACTORS' POWER TOOL MOTORS

General Specifications:

Open, drip-proof double shaft motors for woodworking applications. With encapsulated, electronic starting switch and double shielded ball bearings to prevent failures caused by sawdust accumulation.

Capacitor start design for high torques and reduced amperage, improved efficiency.

Shaft extension each end, with keyway and flat 90° apart for ease of mounting.

Useable shaft, each end is 1½" long by ½" diameter on 48 frames and 1⅞" long by ⅝" diameter on 56 frame motors.



DOUBLE-SHAFT • SINGLE PHASE DRIP-PROOF • RIGID BASE

HP	RPM 60 Hz	NEMA Frame	Catalog Number	List Price	Disc. Sym.	App. Wgt. (lbs.)	Voltage	Over- load Prot.	F.L. Amps 230V	"C" Dim. (Inches)
1/2	1725	S56Z	101781	\$400	A	17	115/208-230	None	4.4	12.43
3/4	3450	48Z	101782	411	A	24	115/208-230	None	4.9	12.18
1	3450	56Z	114216	430	A	27	115/208-230	None	6.0	12.81

☆ Capacitor start/capacitor run design for reduced amperage, others are capacitor start/induction run.

† Class F insulated.

□ Combination 56 H base motors have mounting holes for NEMA 56 and NEMA 143-5T and a standard NEMA 56 shaft.

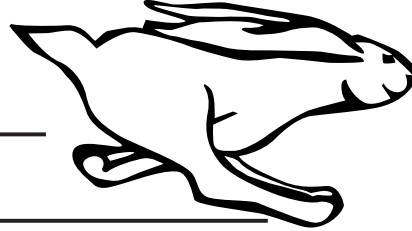
✱ These totally enclosed single phase motors have 1.15 Service Factors.

See pages 8-13 for motors of different horsepower, RPM, enclosure, etc., for application on woodworking machinery.



CUSTOM MULTI-SPEED LOW-SPEED AND MODIFIED MOTORS

Custom **PDQ**



PDQ MODULAR PRODUCTION PROGRAM

CUSTOM MULTI-SPEED, LOW SPEED AND MODIFIED MOTORS, ONE OR SEVERAL AT A TIME, ON A QUICK TURNAROUND BASIS.

LEESON's "Modular Production" utilizes specially designed and standard components to make almost any imaginable NEMA frame multi-speed or low-speed motor available when you need it.

Quick Turnaround-LEESON's Custom **PDQ** can provide quick answers to inquiries and fast turnaround for orders of highly customized motors.

Comprehensive Catalog - Features the Industry's most extensive two-speed and low speed motor selection as well as a listing of commonly requested modifications. **Call for your copy of LEESON Catalog 1057 - Multi-Speed, Low-Speed and Modified Motors.**

Full Fact Acknowledgement - With Custom **PDQ** all custom motors are promptly and fully acknowledged upon receipt of order. The acknowledgement includes the complete motor specification pricing and shipping date.

Motors of 254T frame and larger are of cast iron construction with all the rugged features of LEESON's stock single-speed motors described on pages 14 & 15 of this catalog. All two-speed designs are class F insulated and have a 1.15 S.F.



Whether for the everyday or not-so-everyday needs, Custom PDQ gives you the ability to say "Yes" to requests for customized motors.

Multi-speed

Two, three and four-speed motors

Low Speed

900, 720, 600, 450 and 300 rpm

Modified as per Catalog 1057 - Some examples are:

- Anti-condensation heaters
- Brakemotors, custom
- Cooling tower specifications
- Downsized frames
- Epoxy and fungus proofing
- 50 Hz
- Premium-efficiency, North American manufacture
- Insulation, special
- Marine duty (below deck)
- Part winding (low and high voltages)
- Shafts, modified
- Thermostats
- Thermistors
- Washdown service
- IEEE841 conversion of WATTS AVER® motors
- Voltages (non-standard)

...and many more

For quotations, availability, and application assistance phone toll-free to our Canadian manufacturing facility.

CUSTOM PDQ
1-800-463-1797

TWO-SPEED • VARIABLE AND CONSTANT TORQUE

Two-speed, single winding design motors. Typical applications and characteristic speed torque curves are noted below.

These totally enclosed fan cooled designs are priced competitive to other manufacturers' drip-proof two-speed, single winding motors.



VARIABLE TORQUE • 460 V
1725/850 RPM • ONE WINDING • RIGID BASE • TEFC

HP	RPM 60 Hz	NEMA Frame	Catalog Number	List Price	Disc. Sym.	App. Wgt. (lbs.)	Voltage	F.L. Amps **	"C" Dim. (Inches)
1/2.5	1725/850	143T	120945	\$691	B	36	460	1.6-0.7	12.75
1.5/3.7	1725/850	145T	120941†	719	B	36	460	2.4-1.0	12.75
2/5	1725/850	145T	120940	838	B	36	460	3.2-1.3	12.75
3/7.5	1725/850	184T	131474	898	B	77	460	4.0-1.8	14.46
5/1.2	1740/860	184T	131475	1146	B	107	460	6.5-2.5	15.96
7.5/1.9	1740/860	215T	140447	1615	B	155	460	9.7-3.3	17.71
10/2.5	1740/860	215T	140448	1903	B	168	460	12.7-4.2	18.71

These TEFC motors have a 1.0 Service Factor.

VARIABLE TORQUE • 208-230 V
1725/850 RPM • ONE WINDING • RIGID BASE • TEFC

HP	RPM 60 Hz	NEMA Frame	Catalog Number	List Price	Disc. Sym.	App. Wgt. (lbs.)	Voltage	F.L. Amps **	"C" Dim. (Inches)
1/2.5	1725/850	143T	120944	\$691	B	36	208-230	3.2-1.4	12.75
1.5/3.7	1725/850	145T	120947†	720	B	36	208-230	4.8-2.0	12.75
2/5	1725/850	145T	120946	838	B	35	208-230	6.3-2.6	12.75
3/7.5	1725/850	184T	131468	898	B	78	208-230	8.0-3.6	14.46
5/1.2	1740/860	184T	131469	1146	B	94	208-230	13.0-5.0	15.96
7.5/1.9	1740/860	215T	140443	1631	B	154	208-230	19.4-6.6	17.71
10/2.5	1740/860	215T	140444	1903	B	166	208-230	25.4-8.4	18.71

These TEFC motors have a 1.0 Service Factor.

CONSTANT TORQUE • 460 V
1725/850 RPM • ONE WINDING • RIGID BASE • TEFC

HP	RPM 60 Hz	NEMA Frame	Catalog Number	List Price	Disc. Sym.	App. Wgt. (lbs.)	Voltage	F.L. Amps **	"C" Dim. (Inches)
1/5	1725/850	143T	120943†	\$984	B	36	460	1.4-1.6	13.25
2/1	1740/860	184T	131471	1260	B	68	460	2.9-2.9	13.96
3/1.5	1725/850	184T	131470	1429	B	80	460	3.8-3.5	14.96
5/2.5	1725/850	215T	140445	1869	B	145	460	6.7-7.0	17.71

These TEFC motors have a 1.0 Service Factor.

CONSTANT TORQUE • 208-230 V
1725/850 RPM • ONE WINDING • RIGID BASE • TEFC

HP	RPM 60 Hz	NEMA Frame	Catalog Number	List Price	Disc. Sym.	App. Wgt. (lbs.)	Voltage	F.L. Amps **	"C" Dim. (Inches)
1/5	1725/850	143T	120942	\$984	B	37	208-230	3.2-4.2	12.75
2/1	1740/860	184T	131473	1260	B	69	208-230	5.8-5.7	13.96
3/1.5	1725/850	184T	131472	1429	B	80	208-230	7.6-6.9	14.96
5/2.5	1725/850	215T	140446	1869	B	137	208-230	13.4-14.0	17.71

These TEFC motors have a 1.0 Service Factor.

** F.L. Amps listed are for high and low speeds, respectively.
 † Class F insulated.

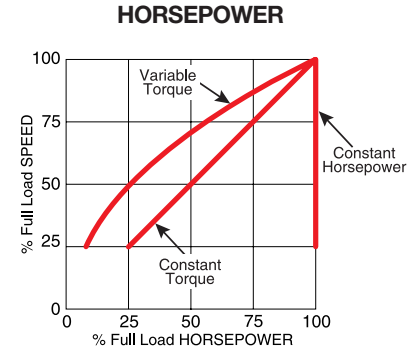
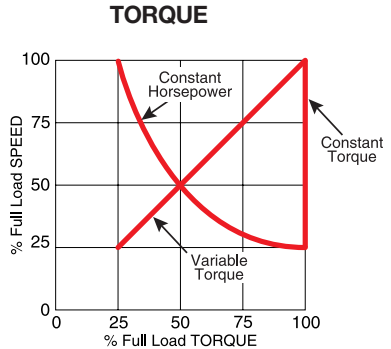
All 180 and 210 frame Rolled Steel motors have Class F Insulation.

MULTI-SPEED MOTORS • APPLICATION DATA

Variable torque motors have horsepower ratings that vary as the the square of the speed, while torque varies directly with the speed. These motors are typically used on applications such as fans, blowers and centrifugal pumps.

Constant torque motors are capable of developing the same torque for all speeds. Their horsepower ratings vary directly with the speed. Constant torque motors are used on mixers, compressors, conveyors, printing presses, extractors, feeders and laundry machinery.

Constant horsepower motors develop the same horsepower at all operating speeds, and the torque varies inversely with the speed. These motors are often used on machine tools, such as drills, lathes, punch presses and milling machines. **Please contact LEESON with details for constant HP applications.**



LEESON 575 & 200-208 VOLT MOTORS

THREE PHASE



575 VOLT • THREE PHASE • TEFC • RIGID BASE

HP	RPM 60 Hz	NEMA Frame	Catalog Number	List Price	Disc. Sym.	App. Wgt. (lbs.)	Voltage	F.L. Amps 575 V.	% F.L. Eff.	"C" Dim. (Inches)
1/2	3450	56	110714●	\$294	A	25	575	0.6	82.5	10.40
	1725	56	110199●†	320	A	25	575	0.8	78.5	9.88
	1725	S56	101051	320	A	24	575	0.8	68.0	9.94
3/4	3450	56	110354	324	A	22	575	0.9	75.5	10.81
	1725	56	110178	341	A	22	575	1.1	77.0	10.81
	1140	56	111394	486	A	30	575	1.2	75.5	11.81
1	3450	56	110715	379	A	24	575	1.3	77.0	10.81
	1725	56	110206	357	A	24	575	1.5	77.0	11.31
	1740	143T	120122	399	B	31	575	1.2	82.5	12.75
	1140	145T	120167	532	B	32	575	1.4	80.0	13.25
1 1/2	3450	145T	120170	432	B	36	575	1.6	82.5	12.75
	1725	56	110893	403	A	30	575	2.0	78.5	11.81
	1740	145T	120021	381	B	36	575	1.8	84.0	12.75
	1140	182T	131548	586	B	76	575	2.5	85.5	14.96
2	3450	145T	120171	507	B	44	575	2.1	84.0	13.25
	1740	145T	120019	404	B	45	575	2.25	84.0	13.75
	1140	184T	131529	655	B	89	575	2.9	86.5	15.46
3	3450	145T	120423	581	B	50	575	3.0	85.5	13.75
	1740	182T	131460	499	B	74	575	3.3	87.5	13.96
5	3450	184T	131552	705	B	75	575	4.8	87.5	14.46
	1740	184T	131461	574	B	85	575	5.2	87.5	14.96
7 1/2	3500	213T	150196	837	C	158	575	7.4	85.5	18.19
	1750	213T	140593	751	B	144	575	8.2	89.5	17.71
10	3500	215T	150197	975	C	172	575	9.5	85.5	19.61
	1750	215T	150212	968	C	186	575	9.8	86.5	19.61
15	3500	254T	150198	1364	C	270	575	14.4	86.5	23.19
	1750	254T	150116	1401	C	284	575	14.8	90.2	23.19
20	3500	256T	150199	1824	C	328	575	19.2	89.5	24.92
	1750	256T	150117	1767	C	367	575	19.2	91.7	24.92
25	3500	284TS	150224	2187	C	402	575	24.0	90.2	24.88
	1750	284T	150118	2157	C	390	575	24.0	91.0	26.26
30	3500	286TS	150228	2737	C	442	575	28.0	89.5	26.46
	1750	286T	150119	2486	C	411	575	28.0	91.0	27.83
40	3500	324TS	150232	3440	C	554	575	36.8	91.0	28.03
	1750	324T	150120	3290	C	548	575	36.8	91.7	29.53
50	1750	326T	150121	4057	C	594	575	45.8	91.7	31.02
60	1750	364T	150239	6175	C	778	575	56.0	91.7	32.64
75	1750	365T	150244	7458	C	850	575	68.8	92.4	33.62
100	1750	405T	150253	9281	C	1175	575	92.0	93.0	37.91

Other stock 575V motors are available from LEESON through our Canadian facility. Contact LEESON for availability.

● These motors are totally enclosed, non-ventilated, all others totally enclosed fan cooled.
 † Class F insulated.
 ♣ 1.0 Service Factor, Class F insulation.
 ~ Open fan cooled design.

575 VOLT • TEFC • C FACE LESS BASE

HP	RPM 60 Hz	NEMA Frame	Catalog Number	List Price	Disc. Sym.	App. Wgt. (lbs.)	Voltage	F.L. Amps 575 V.	% F.L. Eff.	"C" Dim. (Inches)
1/2	1725	56C	110176●†	\$341	A	20	575	0.8	79.0	9.94
3/4	1725	56C	110177	366	A	21	575	1.1	77.0	10.81
		143TC	120176	402	B	32	575	1.2	82.5	12.25
1	1725	56C	110204	391	A	30	575	1.5	77.0	11.31
		143TC	120176	402	B	32	575	1.2	82.5	12.25
1 1/2	1725	56C	111444	414	A	33	575	2.0	78.5	11.81
		145TC	120177	436	B	31	575	1.8	84.0	12.75
2	3450	56C	111611	457	A	34	575	2.2	82.5	12.31
		145TC	120178	464	B	45	575	2.25	84.0	13.75
3	1740	182TC	131498	535	B	68	575	3.3	87.5	13.97
		184TC	131499	645	B	76	575	5.2	87.5	14.97



200-208 VOLT/400-416 VOLT • THREE PHASE DRIP-PROOF • RIGID BASE

HP	RPM 60 Hz	NEMA Frame	Catalog Number	List Price	Disc. Sym.	App. Wgt. (lbs.)	Voltage	F.L. Amps 575 V.	% F.L. Eff.	"C" Dim. (Inches)
5	1740	184T	131500	\$459	B	62	200-208/400-416	15.4	86.0	13.19
7 1/2	1740	S213T	131547~	653	B	105	200-208/400-416	22.0	84.0	17.09
10	1740	215T	140004	799	B	122	200-208/400-416	32.0	86.5	15.76

200-208 VOLT/400-416 VOLT • THREE PHASE TEFC • RIGID BASE

HP	NEMA Frame	Catalog Number	List Price	Disc. Sym.	App. Wgt. (lbs.)	Voltage	F.L. Amps 200 V.	% F.L. Eff.	"C" Dim. (Inches)
1	56	110255	\$375	A	30	200-208	4.4	77.0	11.31
	143T	120047	375	B	32	200-208	4.4	77.0	12.75
1 1/2	145T	120032	380	B	35	200-208	5.6	80.0	12.75
2	145T	120034†	402	B	38	200-208	7.2	81.5	12.75
3	182T	131465	469	B	82	200-208/400-416	10.0	84.0	12.96
5	184T	131466	541	B	63	200-208/400-416	15.4	86.0	13.96
7 1/2	S213T	131467♣	692	B	106	200-208/400-416	23.0	87.0	17.58
10	215T	140013	840	B	168	200-208/400-416	29.6	87.5	18.21

All 200-208 motors have a 1.15 Service Factor, Class F insulation

SHADED FRAME INDICATES CAST IRON CONSTRUCTION

All three phase motors, 1 HP and above, are inverter rated. Refer to page 5 for speed ranges.

All 180 and 210 frame Rolled Steel motors have Class F Insulation.

SEVERE DUTY WATSAVER PLUS & IEEE PREMIUM EFFICIENT MOTORS



General Specifications:

Designed specifically to meet severe duty environments that you may find in applications such as chemical plants, foundries, pulp and paper mills, waste management facilities, refineries, above ground mines or other applications that demand corrosion protection for long motor life and dependability.



Mechanical Protection Features:

- Full cast iron construction
- Two-part Epoxy paint
- Inpro Shaft Seal on output shaft and Forsheda seal on non-drive end
- Internal corrosion protection
- Regreasable bearings 250 Frame and above
- Three Year warranty
- Stainless Steel nameplate
- Corrosion Resistant hardware

Electrical Performance and Protection Features:

- 1.15 Service Factor
- Meets IP 55 enclosure protection
- Dual voltage design
- Normally Closed Thermostats

Standards and Approvals:

- UL and CSA recognized
- Construction is CSA Certified for safety report number LR62104
- UL recognized construction, file number E57948

General Specifications:

Designed for harsh environments that you may find in refineries, above-ground mills, foundries, paper and pulp mills, cement plants or other severe duty applications requiring a premium efficient motor.



Mechanical Protection Features:

- Inpro Shaft Seals installed
- Re-greasable bearings by using extended grease tubes.
- Five-year warranty
- Two part epoxy painted
- Brass breather and drain plug

Electrical Performance and Protection Features:

- Tested to IEEE-841 Standards
- Actual test and vibration Data supplied with each motor
- Meets NEMA MG1 – 1.26.6 Waterproof Specification
- Nameplate stamped to Division 2 CSA certification for hazardous locations, Class 1 Groups A, B, C, D, Temperature code T2B
- Meets NEMA Premium Efficient standards
- 1.15 Service Factor
- Class F Insulation System

Standards and Approvals:

- UL Recognized and CSA Certified
- Tested to IEEE45 USCG Marine Duty, API RP14F for offshore platforms
- Meets IP56

SEVERE DUTY • WATSAVER PLUS

HP	RPM 60 Hz	NEMA Frame	Catalog Number	List Price	Disc. Sym.	App. Wgt. (lbs.)	Voltage	Over- load Prot.	F.L. Amps 230V	"C" Dim. (Inches)
3	1760	182T	171623	\$840	C	112	208-230/460	7.8	90.2	16.64
	1180	213T	171634	1186	C	180	208-230/460	9.4	89.5	18.69
5	1760	184T	171630	870	C	120	208-230/460	12.8	89.5	17.30
	1180	215T	171635	1324	C	186	208-230/460	14.4	89.5	20.11
7½	3510	213T	171616	1209	C	155	208-230/460	18	91.0	18.69
	1760	213T	171622	1167	C	165	208-230/460	18.6	91.7	18.69
	1170	254T	171636	1725	C	263	208-230/460	22.2	91.7	23.69
10	3510	215T	171617	1434	C	190	208-230/460	23	91.7	20.11
	1760	215T	171631	1391	C	187	208-230/460	25	91.7	20.11
	1170	256T	171637	2467	C	312	208-230/460	29	91.7	25.42
15	3525	254T	171620	1949	C	294	208-230/460	34.6	92.4	23.69
	1770	254T	171632	1885	C	294	208-230/460	36	92.4	23.69
	1170	284T	171638	3339	C	346	208-230/460	40.6	92.4	26.76
20	3525	256T	171621	2381	C	330	208-230/460	46	92.4	25.42
	1770	256T	171633	2355	C	335	208-230/460	49	93.0	25.42
	1170	286T	171639	4174	C	405	208-230/460	54	92.4	28.33

IEEE 841 PREMIUM EFFICIENT MOTORS

HP	RPM	NEMA Frame	IEEE 841 Catalog Number	List Price	Disc. Sym.	App. Wgt. (lbs.)	Voltage	F.L. Amps 230V	% F.L. Eff.	"C" Dim. (Inches)
1	1725	143T	811541	\$668	C	55	460	1.5	85.5	10.43
1½	3460	143T	811542	827	C	58	460	2.0	86.5	10.43
	1730	145T	811543	766	C	65	460	2.2	84.0	11.43
2	3500	145T	811544	869	C	68	460	2.5	85.5	11.43
	1735	145T	811545	802	C	68	460	3.0	85.5	11.43
3	3525	182T	811546	1259	C	105	460	3.8	87.5	12.71
	1760	182T	811547	1066	C	100	460	4.0	90.2	12.71
5	3505	184T	811548	1352	C	142	460	5.9	89.5	16.19
	1755	184T	811549	1246	C	130	460	6.2	90.2	16.19
7½	3540	213T	811550	1596	C	200	460	8.9	91.7	17.18
	1770	213T	811551	1511	C	200	460	9.6	91.7	19.73
10	3535	215T	811552	1866	C	218	460	11.2	91.7	20.97
	1765	215T	811553	1829	C	225	460	12.5	91.7	19.73
15	3550	254T	811554	2311	C	345	460	17.5	91.7	23.52
	1775	254T	811555	2198	C	350	460	18.8	92.4	23.52
20	3537	256T	811556	2857	C	375	460	23.4	92.4	25.27
	1775	256T	811557	2733	C	425	460	24.1	93.0	25.27
25	3560	284TS	811558	3546	C	481	460	28.1	93.6	24.97
	1775	284T	811559	3239	C	478	460	31.0	93.6	26.34

All three phase motors, 1 HP and above, are inverter rated. Refer to page 5 for speed ranges.

SHADED FRAME INDICATES CAST IRON CONSTRUCTION



AGRICULTURAL MOTORS

GENERAL PURPOSE • SINGLE PHASE

FARM DUTY • GENERAL PURPOSE

Heavy duty single phase Hi-Torque Motors designed specifically for severe "farm duty" applications.

Mechanical Features:

Gasketed capacitor housing and conduit boxes provide protection in all environments. Double sealed ball bearings prelubricated with Exxon POLYREX® EM grease having operating temperature range of -20°F to +350°F and special formulation to provide extra bearing protection. Rubber boot over manual protector reset button provides weather protection.

Electrical Features:

Low temperature manual overload protector protects against extreme overload. Class "F" copper windings and varnish. Capacitor start provides high starting torque with normal starting current.

All 180 and 210 frame Rolled Steel motors have Class F Insulation.



HIGH TORQUE • RIGID BASE SINGLE PHASE • TEFC

HP	RPM 60 Hz	NEMA Frame	Catalog Number	List Price	Disc. Sym.	App. Wgt. (lbs.)	Voltage	Over-load Prot.	F.L. Amps 230V	"C" Dim. (Inches)
1/3	1725	56	113256	\$333	A	20	115/208-230	Man.	3.2	10.81
1/2	1725	56	110086	387	A	22	115/208-230	Man.	4.4	10.81
3/4	1725	56	110087	457	A	26	115/208-230	Man.	5.4	11.31
1	1725	56	110088	525	A	30	115/208-230	Man.	7.0	11.81
	1725	143T	121569	529	A	30	115/208-230	Man.	7.0	12.75
1½	1725	56H	110089	586	A	41	115/208-230	Man.	8.6	12.61
	1725	56HZ/145T	113938	596	A	39	115/208-230	Man.	8.6	13.25
2	1725	56HZ/145T	110090	841	A	43	230	Man.	9.2	13.75
	1740	182T	131541	896	B	50	115/208-230	Man.	12.4	14.46
3	1740	184T	131542	939	B	83	230	Man.	19.0	16.46
5	1740	184T	131543	1176	B	96	230	Man.	20.5	17.46
7½	1740	215T	140707	1405	B	144	230	Man.	32.0	20.21
10	1740	215T	140706	1646	B	152	230	Man.	40.0	20.71

EXTRA HI-TORQUE RIGID BASE SINGLE PHASE • TEFC

Extra Hi-Torque rated 5, 7½ and 10 HP Motors deliver starting torque as high as 300-400% of motor's full load torque with all mechanical and electrical features listed above.



HP	RPM 60 Hz	NEMA Frame	Catalog Number	List Price	Disc. Sym.	App. Wgt. (lbs.)	Voltage	Over-load Prot.	F.L. Amps 230V	"C" Dim. (Inches)
2	1740	182T	131541	\$896	B	50	115/208-230	Man.	12.4	14.46
3	1740	184T	131542	939	B	83	230	Man.	19.0	16.46
5	1740	215T	140203	1407	B	119	230	Man.	24.0	18.71
	1740	215TZ	140223	1434	B	150	230	Man.	24.0	18.71
7½	1740	215T	140130	1533	B	144	230	Man.	33.6	20.21
	1740	215TZ	140209	1652	B	141	230	Man.	33.6	20.21
10	1740	215T	140414	1796	B	156	230	Man.	40.0	20.71

HIGH TORQUE C FACE LESS BASE SINGLE PHASE • TEFC

NEMA C Face Motor designed with overspeed protection on mechanical centrifugal starting switch.



HP	RPM 60 Hz	NEMA Frame	Catalog Number	List Price	Disc. Sym.	App. Wgt. (lbs.)	Voltage	Over-load Prot.	F.L. Amps 230V	"C" Dim. (Inches)
1/3	1725	56C	113290	\$440	A	28	115/208-230	Man.	3.2	10.81
1/2	1725	56C	110492	504	A	22	115/208-230	Man.	4.4	10.81
3/4	1725	56C	110493	589	A	29	115/208-230	Man.	5.4	11.31
1	1725	56C	110494	668	A	33	115/208-230	Man.	7.0	11.81
1½	1725	56C	110495	759	A	43	115/208-230	Man.	8.6	12.31
2	1725	145TC	120855	985	B	45	230	Man.	9.2	13.75
3	1740	184TC	131603	1337	B	104	230	Man.	19.0	16.47
5	1740	184TC	131602	1640	B	104	230	Man.	20.5	17.47

HIGH TORQUE C FACE WITH BASE SINGLE PHASE • TEFC

NEMA C Face Motor designed with overspeed protection on mechanical centrifugal starting switch.



HP	RPM 60 Hz	NEMA Frame	Catalog Number	List Price	Disc. Sym.	App. Wgt. (lbs.)	Voltage	Over-load Prot.	F.L. Amps 230V	"C" Dim. (Inches)
1/3	1725	56C	116485	\$455	A	29	115/208-230	Man.	3.2	10.81
1/2	1725	56C	116486	522	A	23	115/208-230	Man.	4.4	10.81
3/4	1725	56C	116487	608	A	30	115/208-230	Man.	5.4	11.31
1	1725	56C	116488	691	A	34	115/208-230	Man.	7.0	11.81
1½	1725	56HC	116489	777	A	44	115/208-230	Man.	8.6	12.81
2	1725	145TC	121625	992	B	46	230	Man.	9.2	13.75
3	1740	184TC	131994	1363	B	105	230	Man.	19.0	16.47
5	1740	184TC	131995	1648	B	105	230	Man.	20.5	17.47

■ Combination 56 HZ base has mounting holes for NEMA 56 and 143-5T and a standard NEMA 145T frame shaft of 7/8" diameter.
 □ Combination 56H base has mounting holes for NEMA 56 and 143-5T and a standard NEMA 56 frame shaft.
 ☆ Capacitor start/capacitor run design for reduced amperage, others are capacitor start/induction run.
 † Class F insulated.
 ‡ These motors have a NEMA 215T base mounting pattern and shaft height of 5.25", with usable length of 3 3/8" and diameter of 1 1/8" with standard key.

TWO-WINDING VARIABLE TORQUE PSC TYPE FOR SHAFT MOUNTED FAN APPLICATIONS

These fan and blower duty motors are designed for dependable, energy saving performance in applications where the fan is mounted on the shaft of the motor. The permanent split capacitor design does not require a centrifugal switch, resulting in higher reliability than on other types of single phase motors. This design is also more energy efficient and less expensive to operate.



These motors may be operated at listed speed or two speed operation may be achieved by using the proper auxiliary switch. They are suitable for variable speed by adjusting the voltage to the motor using a variable voltage control, except as noted by ∇.

Overload protected with an automatic reset protector. Grounding provisions. Totally enclosed, dust tight design, with resilient mounting for quiet operation. Lubricated with quiet running high temperature lubricant. Corrosion resistant finish for tough applications. Because of the inherently low starting torques of this design, these motors are not suitable for belt driven fan applications. They must be mounted within the air stream of the driven fan.

SINGLE PHASE • PSC • TEAO • RESILIENT BASE

HP	RPM 60 Hz	NEMA Frame	Catalog Number	List Price	Disc. Sym.	App. Wgt. (lbs.)	Voltage	Over- load Prot.	F.L. Amps 230V	"C" Dim. (Inches)
1/4	1625	48Z*	100803	\$317	A	19	115/230	Auto.	1.4	10.66
	1075	48Z*	100824	374	A	20	115/230	Auto.	1.4	10.66
	1075	S56Z*	100805	401	A	22	115/230	Auto.	1.4	11.06
1/3	1625	48Z*	100804	342	A	21	115/230	Auto.	1.6	10.66
	1625	S56H	100767	369	A	22	115/230	Auto.	1.6	10.31
	1625	56HY	111348②	369	A	24	115/230	Auto.	1.7	13.44
	1075	48Z*	100825	433	A	25	115/230	Auto.	1.8	11.16
	1075	S56HZ*	100806	459	A	27	115/230	Auto.	1.8	11.56
1/2	1625	56HZ*	111323	385	A	30	115/230	Auto.	2.6	12.56
	1625	S56H	100768	393	A	36	115/230	Auto.	2.2	10.81
	1075	48Z*	101645	506	A	33	115/230	Auto.	2.8	11.16
	1075	56HZ*	111321□	497	A	37	115/230	Auto.	3.0	13.56
	850	48YZ⊕	M099836∇	345	A	24	115/230	Auto.	3.0	11.55
825	56HZ*	111919□∇	615	A	40	115/230	Auto.	3.2	13.56	
3/4	1625	56HZ*	111324	570	A	34	115/230	Auto.	3.5	13.06
	1625	56H	111266	570	A	36	115/230	Auto.	3.5	12.31
	1075	56HZ*	111322□∇	587	A	44	115/230	Auto.	4.0	13.56
1	1625	56HZ	111267	598	A	39	115/230	Auto.	4.4	12.81

These motors have a 1.0 Service Factor

SINGLE PHASE • PSC TYPE • RIGID BASE TOTALLY ENCLOSED AIR OVER (TEAO)

HP	RPM 60 Hz	NEMA Frame	Catalog Number	List Price	Disc. Sym.	App. Wgt. (lbs.)	Voltage	Over- load Prot.	F.L. Amps 230V	"C" Dim. (Inches)
1/4	1750	48Y	101252∇	\$313	A	19	115/208-230	Auto.	1.5	10.90
	1625	48Y	100699	310	A	19	115/230	Auto.	1.4	10.65
	1625	48Y	M099799	245	A	19	115/230	Auto.	1.5	10.79
	1075	48Y	M099260	256	A	21	115/230	Auto.	1.2	10.83
1/3	1725	48Y	M090253∇	254	A	22	115/230	Auto.	1.8	10.47
	1750	48Y	101253∇	362	A	22	115/208-230	Auto.	1.9	10.65
	1625	48Y	100700	359	A	22	115/230	Auto.	1.6	10.65
	1625	56Y	111202①	359	A	24	115/230	Auto.	1.7	12.00
	1625	48Y	M099800	278	A	22	115/230	Auto.	1.8	10.79
1/2	1075	48Y	M099261	303	A	21	115/230	Auto.	1.5	11.34
	1140	S56Y	100604	451	A	23	115/230	Auto.	1.8	11.40
	1750	S56Y	101176/∇	383	A	26	115/230	Auto.	3.5	10.40
3/4	1625	48Y	100701	380	A	29	115/230	Auto.	2.5	12.15
	1625	48Y	M099801	300	A	29	115/230	Auto.	2.5	10.79
	1075	48Y	M099946	313	A	26	115/230	Auto.	2.5	11.81
1	1075	56HZ	M099847	484	A	36	115/230	Auto.	3.6	13.56

- * The useable shaft of this motor is 3/4" longer than NEMA standard to accommodate fan on shaft mountings. 48Z is 1/2" diameter by 2 1/4". 56Z is 5/8" diameter, 2 5/8" long. All have 1" extended through bolts. Except Catalog Numbers 100805 and 100806 which are extended 1/4".
- ∇ Suitable for single speed operation only.
- Combination 56H base motors have mounting holes for NEMA 56 and NEMA 143-5T and a standard NEMA 56 shaft.
- ① Has provisions for belly band and pedestal fan mount—no rigid base.
- ② In addition to resilient base, this motor has provisions for belly band and pedestal fan mount.
- ✓ This split phase start, capacitor run motor is suitable for belt drive within the airflow of the fan.
- ⊕ Shaft is 5/8" by 2.0"
- ** Shaft is 5/8" by 2 5/8"
- * Shaft is 3/4" by 3 1/2"



VENTILATION FAN MOTOR SHAFT-MOUNTED • DUST-TIGHT

Totally enclosed, high efficiency, permanent split capacitor motor for direct drive exhaust ventilation fans in poultry and livestock houses. Fully gasketed, dust-tight construction with sealed bearings and shaft slinger. Automatic thermal overload protector. Extended through-bolts for mounting, no base. Built-in terminal panel for quick, easy connection. Grounding provision.

Because of the inherently low starting torque of this design, this motor is not suitable for belt-driven fan applications. It must be mounted in the air stream of the fan for cooling.



SINGLE PHASE • TEAO • THRU BOLT MOUNT

HP	RPM 60 Hz	NEMA Frame	Catalog Number	List Price	Disc. Sym.	App. Wgt. (lbs.)	Voltage	Over- load Prot.	F.L. Amps 230V	"C" Dim. (Inches)
1/3	1625	48Y	M090085	\$272	A	20	115/230	Auto.	1.8	10.79
1/2	1625	48Y	M090086	294	A	22	115/230	Auto.	2.5	10.79
	825	56Z	114620∇	510	A	35	115/230	Auto.	3.2	12.63
	850	48Y	M099250**∇	330	A	24	115/230	Auto.	3.0	11.00

SINGLE & THREE PHASE • TEAO • C FACE LESS BASE

HP	RPM 60 Hz	NEMA Frame	Catalog Number	List Price	Disc. Sym.	App. Wgt. (lbs.)	Voltage	Over- load Prot.	Phase	F.L. Amps 230V	"C" Dim. (Inches)
1/2	850	S56C	M099251∇	\$333	A	24	115/230	Auto.	1	3.0	10.40
1	850	S56CZ	M009644∇*	558	A	45	230	Auto.	1	4.6	15.60
1/2	850	56C	116201	459	A	35	208-230/460	...	3	3.0	10.90
1	850	56C	116202	571	A	45	208-230/460	...	3	5.0	12.90

LEESON[®] AGRICULTURAL MOTORS

SINGLE AND THREE PHASE

AERATION FAN MOTORS BELT-DRIVEN • DUST-TIGHT

Totally enclosed air over motors, dust-tight, suitable for shaft-mounted fans or belt driven fans. Capacitor start designs. Designed to be used within the airflow of the driven fan, these motors offer protection from the environment and are finished in epoxy enamel to resist corrosion in tough atmospheres. Lubricated with high temperature Exxon POLYREX[®] EM lubricant. Grounding provisions. Fully gasketed. Single phase motors have built-in terminal panel for quick, easy connections.



CROP DRYER MOTORS

Open air over, fan-on-shaft design motors for crop drying applications. Designed for continuous duty operation. Class F insulation system. Thermostats provide thermal overload protection on all units. Extra nameplate included for remote mounting. Keyed shaft with 1/4-20 UNC tapped hole in end.



Capacitors supplied on single phase models. All models include sealed bearings, rodent screens, gray epoxy paint and 3/4" leads exiting the motor at 12 o'clock.

GRAIN STIRRING MOTORS DUST-TIGHT

Dust-Tight Motors designed to operate inside agricultural storage bins for stirring grain, corn and other agricultural products.



Mechanical Features:

External cast aluminum cooling fan at shaft end keeps grain from obstructing fan operation. Prelubricated double shielded ball bearings packed with Exxon POLYREX[®] EM grease (temperature range -20°F to +350°F). Totally enclosed construction with gasketed conduit box and capacitor cases. Moisture drain hole in endshield opposite shaft for vertical shaft up mounting. Rugged 205 bearing shaft-end. Shaft is 7/8" diameter, useable length of 15/16". "BA" dimension is 35/8".

Electrical Features:

Energy-saving, extra high torque designs.

SINGLE PHASE • CAPACITOR START • TEAO • RIGID BASE

HP	RPM 60 Hz	NEMA Frame	Catalog Number	List Price	Disc. Sym.	App. Wgt. (lbs.)	Voltage	Over- load Prot.	F.L. Amps 230V	"C" Dim. (Inches)
3/4	3450	56	111332 ^⑦	\$321	A	27	115/230	None	5.0	10.90
1	3450	56	111333 ^⑦	380	A	29	115/230	None	6.0	10.90
1½	3450	56	111949 ^⑦	492	A	32	115/230	None	8.5	11.40
		143TZ	120374 ^⑧	528	B	31	115/230	None	8.5	11.84
2	3450	145TZ	120375 ^⑧	644	B	41	230	None	10.0	13.34
3	3450	145T	120376 [☆]	677	B	45	230	None	12.8	13.84

THREE PHASE • TEAO • RIGID BASE

HP	RPM 60 Hz	NEMA Frame	Catalog Number	List Price	Disc. Sym.	App. Wgt. (lbs.)	Voltage	F.L. Amps 230V	% F.L. Eff.	"C" Dim. (Inches)
3/4	3450	56Z	111334 ^⑦	\$327	A	21	208-230/460	2.4	75.5	9.90
1	3450	56Z	111335 ^⑦	356	A	22	208-230/460	3.2	77.0	9.90
1½	3450	143TZ	120377 ^⑧	409	B	31	208-230/460	4.2	82.5	11.34
2	3450	145TZ	120378 ^⑧	484	B	34	208-230/460	5.6	82.5	11.84
3	3450	145T	120379 ^⑧	544	B	38	230/460	7.6	84.0	12.34

SINGLE PHASE

HP	RPM 60 Hz	NEMA Frame	Catalog Number	List Price	Disc. Sym.	App. Wgt. (lbs.)	Voltage	Over- load Prot.	F.L. Amps 230V	"C" Dim. (Inches)
5-7	3450	182TZ	131847	\$1007	B	91	230	T-Stat	27.2-35.0	16.44
7.5-10	3450	182TZ	131848	1119	B	95	230	T-Stat	31.0-42.0	16.44
10-15	3450	215TZ	140640	1721	B	159	230	T-Stat	39.5-61.5	20.42

THREE PHASE

HP	RPM 60 Hz	NEMA Frame	Catalog Number	List Price	Disc. Sym.	App. Wgt. (lbs.)	Voltage	Over- load Prot.	F.L. Amps 230V	"C" Dim. (Inches)
5-7.5	3450	184TZ	131849	\$815	B	70	208-230/460	T-Stat	19.0	13.94
7.5-10	3450	184TZ	131850	953	B	85	208-230/460	T-Stat	24.2	15.44
10-15	3450	215TZ	140641	1150	B	95	208-220/440	T-Stat	40.0	17.41

SINGLE PHASE • RIGID BASE • TEFC

HP	RPM 60 Hz	NEMA Frame	Catalog Number	List Price	Disc. Sym.	App. Wgt. (lbs.)	Voltage	Over- load Prot.	F.L. Amps 230V	"C" Dim. (Inches)
1½	1725	56HZ	111330 [☆]	\$625	A	42	115/208-230	Man.	8.6	12.31

THREE PHASE • RIGID BASE • TEFC

HP	RPM 60 Hz	NEMA Frame	Catalog Number	List Price	Disc. Sym.	App. Wgt. (lbs.)	Voltage	F.L. Amps 230V	% F.L. Eff.	"C" Dim. (Inches)
1½	1725	56HZ	111329	\$636	A	38	208-230/460	5.4	80.0	11.81

These Grain Stirring motors have NEMA Service Factor of 1.0

^⑦ Standard 5/8" diameter shaft with keyway plus 3/4" deep hole drilled and tapped to 1/4-20 UNC in end of shaft to facilitate mounting of some fan blades.
^⑧ Standard 7/8" diameter shaft with keyway plus 3/4" deep hole drilled and tapped to 1/4-20 UNC in end of shaft to facilitate mounting of some fan blades.
[☆] Capacitor start/capacitor run design for reduced amperage, others are capacitor start/induction run.

All 180 and 210 frame Rolled Steel motors have Class F Insulation.

CATFISH POND MOTORS

Specially designed for aeration systems used on aquaculture ponds, these motors are designed for dependable outdoor applications. Typically C-face connected to a right-angle gearbox and installed on a floating aeration platform.



Hi-torque motors are epoxy-painted with a corrosion-resistant interior coating. Stainless hardware, fan guard, lifting lug, and conduit box cover for maximum protection against corrosion. Drain holes in the conduit box and in four positions on each end of the frame to purge condensate and moisture that may enter the motor. Ball bearings are double-sealed and lubricated with Exxon POLYREX[®] EM high temperature, moisture resistant lubricant.

All 180 and 210 frame Rolled Steel motors have Class F Insulation.

IRRIGATION BOOSTER PUMP MOTOR

Threaded-shaft jet pump motor for shaft-down mounting. TEFC with rain canopy. Locked bearing on shaft end, for longer motor life. Neoprene shaft flinger repels moisture. Drain holes in C face and conduit box. Epoxy paint and fully gasketed. Stator impregnated with extra-heavy varnish system.



IRRIGATION DRIVE MOTORS

Specially designed for pivoting irrigation systems exposed to severe weather environments and operating conditions.

Mechanical Features:

Double sealed ball bearings prelubricated with Exxon POLYREX[®] EM grease having an operating temperature range of -20°F to +350°F and special formulation to provide extra long life and moisture resistance. Moisture drain holes at shaft-end of motor. Die cast aluminum conduit box fully gasketed. Epoxy paint for corrosion resistance. Externally fan cooled with rain canopy over cooling fan, for shaft down mounting.



Electrical Features:

“Extra high” starting torque, Class “F” copper windings. Specially treated windings for excessive moisture conditions. Capable of multiple starts and stops. Automatic protector for overload and low voltage protection.

MILK TRANSFER PUMP MOTOR

General Specifications:

Totally enclosed non-ventilated motor. Direct replacement for Surge milk pumps, Babson motor #27732.



Mechanical Features:

Special moisture resistant design with double sealed ball bearings. Bearings and bearing cavities packed with high temperature moisture resistant lubricant. Drain holes to expel moisture and water. Epoxy paint.

Electrical Features:

Permanent split capacitor design for reliability and improved efficiency. High temperature Class F insulation system. Requires 30 MFD, 370 VAC capacitor, separately mounted – not supplied.

SINGLE AND THREE PHASE • C FACE WITH BASE • TEFC

HP	RPM 60 Hz	NEMA Frame	Catalog Number	List Price	Disc. Sym.	App. Wgt. (lbs.)	Voltage	Phase	F.L. Amps 460V	“C” Dim. (Inches)
10	1740	215TC	140705*	\$1901	B	204	230	1	40.0	20.71
	1740	215TC	G140709	1096	B	169	208-230/460	3	26.0	18.71

* Single phase motor has manual reset overload protection

THREE PHASE • IRRIGATION BOOSTER • TEFC

HP	RPM 60 Hz	NEMA Frame	Catalog Number	List Price	Disc. Sym.	App. Wgt. (lbs.)	Voltage	F.L. Amps 460V	% F.L. Eff.	“C” Dim. (Inches)
2	3450	56J	112991	\$610	A	33	460	2.8	84.0	14.34

C FACE LESS BASE • THREE PHASE • TEFC

HP	RPM 60 Hz	NEMA Frame	Catalog Number	List Price	Disc. Sym.	App. Wgt. (lbs.)	Voltage	F.L. Amps 230V	% F.L. Eff.	“C” Dim. (Inches)
1	1725	56C	111304	\$589	A	30	460	2.4	75.0	12.34

These Irrigation Drive motors have a 1.25 Service Factor.

SINGLE PHASE • RIGID BASE • TENV

HP	RPM 60 Hz	NEMA Frame	Catalog Number	List Price	Disc. Sym.	App. Wgt. (lbs.)	Voltage	Over- load Prot.	F.L. Amps 230V	“C” Dim. (Inches)
1/2	3450	56CZ	113939	\$409	A	42	230	None	4.5	13.07

QUICK REFERENCE

SINGLE PHASE MOTORS.....	Page 8
SINGLE PHASE C FACE MOTORS.....	22
WASHGUARD MOTORS.....	30
JET PUMP MOTORS.....	48

LEESON® POULTRY MOTORS

SINGLE AND THREE PHASE

FEED-AUGER DRIVE MOTORS DUST-TIGHT

Dust-tight, capacitor start motor with your choice of field proven electronic or protected mechanical starting switch—both eliminate damage caused when motor is over-speeded by obstructed auger.



Ball bearing, heavy duty industrial quality designs for high overload capacity. Side mounted conduit box. Flange mounts directly to drive assembly. Fully gasketed to keep out feed dust. Has screw driver slot in rear shaft. Continuous duty, with manual thermal overload protection. **Motors of 3/4 HP and less in the two adjacent charts have shaft of 1/2" diameter x 1 1/2" length, with flat; motors 1 HP and larger have 5/8" diameter x 1.97" length, with key.**

SINGLE PHASE • TEFC • 60 HERTZ

HP	RPM 60 Hz	NEMA Frame	Catalog Number	List Price	Disc. Sym.	App. Wgt. (lbs.)	Voltage	Over- load Prot.	F.L. Amps 230V	"C" Dim. (Inches)
1/3	1725	48YZ	101159	\$417	A	21	115/230	Man.	3.1	10.47
	1725	48YZ	101435 ®	402	A	21	115/230	Man.	3.1	10.47
1/2	1725	48YZ	101120	470	A	22	115/208-230	Man.	4.0	10.72
	1725	48YZ	101436 ®	459	A	22	115/208-230	Man.	4.0	10.47
3/4	1725	48YZ	101119	549	A	24	115/208-230	Man.	5.4	11.47
	1725	48YZ	101437 ®	473	A	28	115/230	Man.	5.4	11.47
1	1725	56YZ	112615	608	A	35	115/230	Man.	7.0	12.11
	1725	56YZ	113302 ®	593	A	35	115/208-230	Man.	7.0	12.61
1 1/2	1725	56YZ	113280 ☆	1010	A	47	115/208-230	Man.	6.5	13.62
	1725	56YZ	113301 ☆®	996	A	44	115/230	Man.	6.5	13.62

SINGLE PHASE • TEFC • 50 HERTZ

HP	RPM 50 Hz	NEMA Frame	Catalog Number	List Price	Disc. Sym.	App. Wgt. (lbs.)	Voltage	Over- load Prot.	F.L. Amps 220V	"C" Dim. (Inches)
1/2	1425	48YZ	101643 ®	\$508	A	26	110/220	Man.	4.0	11.47
3/4	1425	48YZ	101644 ®	546	A	30	110/220	Man.	5.8	12.22
1	1425	56YZ	113906 ®	664	A	39	110/220	Man.	6.4	12.61
1 1/2	1425	56YZ	113907 ®	1110	A	48	110/220	Man.	8.6	13.61

HATCHERY AND INCUBATOR FAN MOTORS



Cat. No. 101341



Cat. No. 114102

General Specifications:
Capacitor-type replacement motors for hatchery and incubator fan motors.

Catalog number 101341 is a permanent split capacitor motor for fan on shaft incubator fans. Band mounted, with 1" long extended through bolts for fan shroud. Shaft diameter 1/2" by 2 1/4", with full length flat. Connections in end of motor through 1/2"-14 NPT tap. UL Listed thermal overload. 15 MFD, 3700 run capacitor shipped loose with motor.

SINGLE PHASE • TEAO

HP	RPM 60 Hz	NEMA Frame	Catalog Number	List Price	Disc. Sym.	App. Wgt. (lbs.)	Voltage	Over- load Prot.	F.L. Amps 230V	"C" Dim. (Inches)
1/4	1625	48Y	101341	\$315	A	17	115/230	Auto.	1.4	8.93
1/2- 0.22	1725/ 1140	56H	114102	413	A	33	115	Auto.	9.3-5.6	11.81

Catalog number 114102 is a split phase two-speed motor, dust-tight and totally enclosed for belt driven hatchery cooling fans. Resilient base. With UL Listed automatic thermal overload. Requires no capacitor.

Mechanical Features:
Double shielded ball bearings permanently lubricated with Exxon POLYREX® EM lubricant having a temperature range of -40°F to +320°F and special formulation for extra long life and moisture resistance.

FEATHER PICKER MOTORS

Motors with the dimensions to replace the MEYN drive motor. Phosphatized or stainless, drilled and tapped metric shaft for easy mounting. Special duty rating with extra high breakdown torques for superior performance on this demanding application. See page 25 for complete listing of WASHGUARD features.



Totally enclosed fan cooled construction, sealed bearings, condensate drains, USDA approved food-safe tough white epoxy finish.

All 180 and 210 frame Rolled Steel motors have Class F Insulation.

THREE PHASE • TEFC

HP/KW	RPM 60 Hz	NEMA Frame	Catalog Number	List Price	Disc. Sym.	App. Wgt. (lbs.)	Voltage	F.L. Amps 230V	% F.L. Eff.	"C" Dim. (Inches)
2	1740	145T	G121191	\$528	B	46	208-230/460	5.6	84.0	13.75
2*	1140	184TZ	G131575	805	B	84	230/460	7.2	86.5	15.96
2/1.5*	1140	112M▶	G131635	843	B	84	230/460	7.2	86.5	15.96
3	1740	56HZ	115751 ■	736	A	45	208-230/460	8.6	82.5	14.25

Note: Catalog Number 115751 has a 303 stainless steel shaft.

- Combination 56HZ base has mounting holes for NEMA 56 and 143-5T and a standard NEMA 145T frame shaft of 7/8" diameter.
- ◆ These motors have a 1.5 continuous duty service factor, 3 HP continuous.
- ▶ IEC frame. See page 81 for dimensions.
- ☆ Capacitor start/capacitor run design for reduced amperage, others are capacitor start/induction run.
- ® Mechanical centrifugal starting switch with overspeed protection, others have electronic switch.
- ※※ F.L. Amps listed are for high speed and low speeds, respectively, at 115 volts.

Catalog numbers in green are EPACT motors.



**INDUSTRY-AG • 115-208/230V • TEFC
1725 RPM • HIGH TORQUE
RIGID BASE**

Industry-Ag is a new line of heavy duty single phase hi-torque motors built to withstand the tough applications in industry and agriculture.

Mechanical Features:
Gasketed capacitor housing and conduit boxes provide protection in all environments. Double sealed ball bearings provide extra bearing protection.



Rubber boot over manual protector reset button provides weather protection.

Electrical Features: Manual thermal protector protects against overload. Capacitor start provides high starting torque with normal starting current.

RIGID BASE • 115-208/230V • TEFC

HP	RPM 60 Hz	NEMA Frame	Catalog Number	List Price	Disc. Sym.	App. Wgt. (lbs.)	Voltage	Over- load Prot.	F.L. Amps 230V	"C" Dim. (in.)
1/3	1725	56	M002256	\$323	A	24	115-208/230	Man.	2.9	11.00
1/2	1725	56	M009086	380	A	27	115-208/230	Man.	3.9	11.00
3/4	1725	56	M009087	443	A	30	115-208/230	Man.	5.0	11.50
1	1725	56	M009088	466	A	34	115-208/230	Man.	6.8	11.50
1½	1725	56	M009089	552	A	41	115-208/230	Man.	9.0	12.88
2	1725	56HZ	M009090	786	A	48	230	Man.	9.5	14.00
C Flange		56	M064076	43	A	3	—	—	—	—

C FACE LESS BASE • 115-208/230 • TEFC

HP	RPM 60 Hz	NEMA Frame	Catalog Number	List Price	Disc. Sym.	App. Wgt. (lbs.)	Voltage	Over- load Prot.	F.L. Amps 230V	"C" Dim. (in.)
1/3	1725	56C	M002290	\$391	A	24	115-208/230	Man.	2.9	10.81
1/2	1725	56C	M009492	429	A	27	115-208/230	Man.	3.9	10.81
3/4	1725	56C	M009493	484	A	30	115-208/230	Man.	5.0	11.31
1	1725	56C	M009494	504	A	34	115-208/230	Man.	6.8	11.81

**VARIABLE SPEED
HIGH-PERFORMANCE
AG FAN MOTORS**

The all new **PERFORMA+** brings fan motor performance to a new level. These high-efficiency motors feature exceptional variable speed performance.

Features:
Water-tight connection end compartment with removable cover, houses the capacitor, thermal protector and wiring—allowing unimpeded airflow over the motor frame.

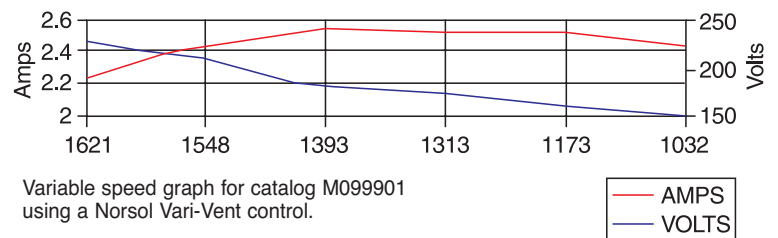


Locked, double-sealed bearings for all angle mounting, including vertical shaft up.
Oil seal in drive end repels moisture and contaminants.
Class F insulation with Class B rise.
Permanent split capacitor type design eliminates the centrifugal switch for "three phase" type reliability.
Automatic thermal overload protection.

TEAO • RIGID BASE • EXTENDED THRU-BOLTS

HP	RPM 60 Hz	NEMA Frame	Catalog Number	List Price	Disc. Sym.	App. Wgt. (lbs.)	Voltage	Over- load Prot.	F.L. Amps 230V	Shaft Length (in.)	"C" Dim. (in.)
1/4	1625	48Y	M099899	\$244	A	18	115-208/230	Auto.	1.3	2	11.30
	1075	48Y	M099460	262	A	21	115/208-230	Auto.	1.3	2	11.80
1/3	1625	48Y	M099900	258	A	19	115-208/230	Auto.	1.8	2	11.30
	1075	48Y	M099461	281	A	22	115/208-230	Auto.	1.9	2	11.80
1/2	1650	48Y	M099901	287	A	22	115-208/230	Auto.	2.6	2	11.70
	1075	48Y	M099462	305	A	25	115/208-230	Auto.	2.8	2	12.20

PERFORMA+ Fan Motor Performance @ 0.05 Inches S.P.



**AGRICULTURAL FAN MOTORS
BELT DRIVE • TEAO**

FHP motors designed for use in agricultural belted fan applications. These motors feature capacitor start/capacitor run configuration for hi-efficiency. They should be mounted in the airstream for proper cooling. They also feature a heavy gauge steel frame with rigid 56/140 combination base.



HIGH-EFFICIENCY • SINGLE PHASE

HP	RPM 60 Hz	NEMA Frame	Catalog Number	List Price	Disc. Sym.	App. Wgt. (lbs.)	Voltage	Over- load Prot.	F.L. Amps 230V	"C" Dim. (in.)
1/2	1725	56	M009580	\$351	A	27	115/208-230	—	—	—
3/4	1725	56H	M009581	373	A	30	115/208-230	82	Auto.	3.4 10.83
1	1725	56H	M009782	388	A	37	115/208-230	85	Auto.	4.3 11.80
1½	1725	56H	M009594	463	A	39	115/208-230	78	Auto.	6.8 12.60
2	1725	145T	M009595 ^①	514	A	47	230	82	Auto.	9.5 12.80

① Motor M009595 has a frame mounted conduit box.

LEESON 50 HERTZ MOTORS SINGLE PHASE

50 HZ • SINGLE PHASE

General Specifications:

50 Hz single phase designs produce full rated HP on 50 Hz power supply. Designed for general purpose application.

Electrical Features:

High efficiency energy saving designs. Centrifugal switch specifically designed for 50 Hz service. Conduit box with leads. Torque at rated HP on 50 Hz power supply is 20% greater than the running torque of a 60 Hz motor. All 180 and 210 frame Rolled Steel motors have Class F Insulation.



SINGLE PHASE • DRIP-PROOF • RIGID BASE • IP22

HP	RPM 50 Hz	NEMA Frame	Catalog Number	List Price	Disc. Sym.	App. Wgt. (lbs.)	Voltage	Over-load Prot.	F.L. Amps 220V	"C" Dim. (Inches)
1/3	2850
	1425	56	110394	\$340	A	22	110/220	None	3.2	9.88
	1425
1/2	2850	56	113901	304	A	25	110/220	None	3.8	10.34
	1425	56	110395	430	A	25	110/220	None	4.1	10.38
	1425
3/4	2850	56	113902	380	A	27	110/220	None	5.6	10.34
	1425	56	110396	516	A	30	110/220	None	5.9	10.88
	1425
1	2850	56	113903	422	A	31	110/220	None	6.6	10.84
	1425	56H	110397□	569	A	35	110/220	None	6.4	11.88
	1425
1 1/2	2850	56H	113904	542	A	37	110/220	None	8.6	11.84
	1425	56H	110398☆□	641	A	43	110/220	None	8.4	12.35
	1425
2	2850	56H	113905	664	A	42	110/220	None	10.7	12.34
	1440	182T	131553	771	B	70	220	None	11.8	13.69
	1440
3	2850	56H	113937†	787	A	47	220	None	12.4	12.84
	2850
	1440	184T	131554	881	B	80	220	None	16.8	14.69
5	2850
	1440	184T	131555☆	1802	B	95	220	None	23.2	15.69
	1440

SINGLE PHASE • TEFC • RIGID BASE • IP54

NEMA Frame	Catalog Number	List Price	Disc. Sym.	App. Wgt. (lbs.)	Voltage	Over-load Prot.	F.L. Amps 220V	"C" Dim. (Inches)
56	113916	\$313	A	25	110/220	None	3.2	10.81
56	110423	396	A	24	110/220	None	3.2	10.81
56	113908	400	A	26	110/220	Man.	3.2	10.81
56	113917	334	A	27	110/220	None	3.8	11.31
56	110064	454	A	25	110/220	None	4.1	11.31
56	113909	454	A	29	110/220	Man.	4.1	11.31
56	113918	380	A	29	110/220	None	5.6	11.31
56	110065†	520	A	32	110/220	None	5.9	11.81
56	113910	539	A	32	110/220	Man.	5.9	11.81
56	113919	441	A	32	110/220	None	6.6	11.81
56H	110066□	625	A	38	110/220	None	6.4	12.81
56	113911†	625	A	34	110/220	Man.	6.4	12.31
56H	113920	581	A	44	110/220	None	8.0	13.31
56H	110424†☆□	708	A	47	110/220	None	8.6	13.31
56H	113929†☆	646	A	49	110/220	Man.	8.6	13.31
56HZ	113928†■	703	A	44	110/220	None	10.7	13.76
182T	131556	1063	B	95	220	None	11.2	15.96
182T	131600	1049	B	71	220	Man.	12.0	14.96
145T	121070†☆	864	B	50	220	None	12.4	12.84
56H	113936†☆	864	A	48	220	None	12.4	13.81
184T	131557	1518	B	98	220	None	15.9	16.96
184T	131601	1494	B	98	220	Man.	15.9	16.96
184T	131638☆	1000	B	98	220	None	20.5	17.46
184T	131578☆	1925	B	103	220	None	21.0	17.46
213TZ	140475☆	1934	B	163	220	Man.	24.5	18.71

SINGLE PHASE • DRIP-PROOF • RESILIENT BASE • IP22

HP	RPM 50 Hz	NEMA Frame	Catalog Number	List Price	Disc. Sym.	App. Wgt. (lbs.)	Voltage	Over-load Prot.	F.L. Amps 220V	"C" Dim. (Inches)
1/3	2850	56	114222	\$265	A	24	110/220	None	3.2	10.82
	1425	56	114223	347	A	24	110/220	None	3.2	10.81
	1425
1/2	2850	56	114224	309	A	26	110/220	None	3.8	11.32
	1425	56	114225	433	A	27	110/220	None	4.1	11.31
	1425
3/4	2850	56	114226	377	A	28	110/220	None	5.6	11.32
	1425	56	114227	517	A	31	110/220	None	5.9	11.81
	1425
1	2850	56	114228	428	A	31	110/220	None	6.6	11.82
	1425	56	114229	570	A	35	110/220	None	6.4	12.31
	1425
1 1/2	2850
	1425	56H	114231☆	640	A	42	110/220	None	8.4	13.32
	1425
2	2850
	1440	56H	114233†	780	A	49	220	None	9.6	13.82
	1440

SINGLE PHASE • TEFC • C FACE LESS BASE • IP54

NEMA Frame	Catalog Number	List Price	Disc. Sym.	App. Wgt. (lbs.)	Voltage	Over-load Prot.	F.L. Amps 220V	"C" Dim. (Inches)
...
56C	113921	\$408	A	22	110/220	Man.	3.2	10.81
56C	113912	351	A	25	110/220	None	3.8	11.31
56C	113922	466	A	29	110/220	Man.	4.1	11.31
56C	113913	390	A	28	110/220	None	5.6	11.31
56C	113923	534	A	31	110/220	Man.	5.9	11.81
56C	113914	480	A	32	110/220	None	6.6	11.81
56C	113924†	562	A	34	110/220	Man.	6.4	12.31
56C	113915	624	A	43	110/220	None	8.0	13.31
56C	113925†☆	681	A	42	110/220	Man.	8.6	13.31
145TC	120990†☆	720	B	47	110/220	None	8.6	13.75
182TC	131599	1075	B	70	220	Man.	12.0	14.97

■ Combination 56HZ base has mounting holes for NEMA 56 and 143-5T and a standard NEMA 145T frame shaft of 7/8" diameter.

□ Combination 56H base motors have mounting holes for NEMA 56 and NEMA 143-5T and a standard NEMA 56 shaft.

☆ Capacitor start/capacitor run design for reduced amperage, others are capacitor start/induction run.

† Class F insulated.

50 HZ • THREE PHASE

General Specifications:

Totally enclosed fan cooled, 12-lead motors designed specifically for 50 Hz service. These motors are intended for equipment built in North America and destined for use in 50 Hz service areas of the world.



Features:

These NEMA frame motors are designed to North American performance standards, but for 50 Hz service. Suitable for 220/380 volt, 50 Hz, or 440 volt, 50 Hz, three phase power. Torques exceed NEMA performance standards for Design B motors and produce the full rated horsepower at 50 Hz speeds.

Construction meets IEC, IP54 degree of protection standards and utilizes external fan cooling (IEC cooling method IC41). Gasketed conduit box is in the North American standardized F1 location, with leads.

All 180 and 210 frame Rolled Steel motors have Class F Insulation.



THREE PHASE • TEFC • RIGID BASE • IP54

KW/HP	RPM 50 Hz	NEMA Frame	Catalog Number	List Price	Disc. Sym.	App. Wgt. (lbs.)	Voltage	F.L. Amps 380 V.	% F.L. Eff.	"C" Dim. (Inches)
0.18/1/4	1425	48	102685	\$330	A	19	220/380/440	1.00	56.0	9.06
	2850	48	102686	329	A	19	220/380/440	0.80	60.0	9.93
0.25/1/3	1425	48	102688	396	A	19	220/380/440	1.10	65.0	9.31
	1425	S56	102183	370	A	19	220/380/440	1.10	65.0	9.69
	2850	48	102690	380	A	20	220/380/440	1.00	69.0	10.43
0.37/1/2	1425	48	102692	448	A	20	220/380/440	1.40	72.0	9.81
	1425	S56	102693	414	A	20	220/380/440	1.40	72.0	10.19
	1425	56	114304	445	A	25	220/380/440	1.02	78.0	10.38
	2850	56	114306	403	A	24	220/380/440	1.75	72.0	10.81
0.55/3/4	1425	56	114307	475	A	27	220/380/440	1.85	74.0	11.31
	2850	56	114308	483	A	26	220/380/440	2.40	71.0	11.31
	1425	56	114888	479	A	28	220/380/440	2.00	77.0	11.31
0.75/1	1425	143T	121096	479	B	35	220/380/440	2.00	77.0	12.75
	2850	145T	121097	497	B	34	220/380/440	2.90	80.0	12.76
1.1/1 1/2	1425	145T	121093	497	B	40	220/380/440	3.30	75.5	12.75
	2850	145T	121094	537	B	42	220/380/440	3.60	80.0	12.76
1.5/2	1425	145T	121095	562	B	40	220/380/440	3.65	81.5	13.25
	2850	182T	131480	693	B	58	220/380/440	4.80	82.5	13.46
2.2/3	1425	182T	131459	663	B	64	220/380/440	4.70	84.0	13.46
	2850	184T	131481	818	B	76	220/380/440	7.40	84.0	14.46
3.7/5	1425	184T	131454	756	B	82	220/380/440	8.10	85.0	15.46

● These motors are totally enclosed, non-ventilated, IEC cooling method IC40.



THREE PHASE • TEFC • C FACE LESS BASE • IP54

KW/HP	RPM 50 Hz	NEMA Frame	Catalog Number	List Price	Disc. Sym.	App. Wgt. (lbs.)	Voltage	F.L. Amps 380 V.	% F.L. Eff.	"C" Dim. (Inches)
0.18/1/4	1425	S56C	102184	\$351	A	18	220/380/440	1.00	56.0	9.44
	2850	S56C	102687	345	A	19	220/380/440	0.80	60.0	10.31
0.25/1/3	1425	S56C	102689	379	A	19	220/380/440	1.10	65.0	9.69
	1425	56C	114889	405	A	18	220/380/440	1.10	68.0	10.31
	2850	S56C	102691	401	A	20	220/380/440	1.00	69.0	10.81
0.37/1/2	1425	S56C	102694	445	A	20	220/380/440	1.40	72.0	10.19
	1425	56C	114891	449	A	20	220/380/440	1.15	73.0	10.81
	1425	56C	114892	497	A	28	220/380/440	1.50	68.0	11.31
	2850	56C	114893	403	A	24	220/380/440	1.75	72.0	10.81
0.55/3/4	1425	56C	114894	480	A	27	220/380/440	1.85	74.0	11.31
	2850	56C	114895	486	A	26	220/380/440	2.40	71.0	11.31
0.75/1	1425	56C	114896	500	A	28	220/380/440	2.00	77.0	11.31
	1425	143TC	121272	500	B	31	220/380/440	2.00	77.0	11.75
	1425	145TC	121273	575	B	39	220/380/440	2.65	73.0	13.25
	2850	143TC	121274	516	B	33	220/380/440	2.90	80.0	12.25
1.1/1 1/2	1440	145TC	121275	524	B	37	220/380/440	3.30	75.5	12.75
	2850	145TC	121276	517	B	41	220/380/440	3.60	80.0	12.75
1.5/2	1440	145TC	121277	563	B	40	220/380/440	3.65	81.5	13.75
	2850	182TC	131505	706	B	59	220/380/440	4.80	82.5	13.97
2.2/3	1440	182TC	131506	656	B	63	220/380/440	4.70	84.0	13.97
	2850	184TC	131507	836	B	75	220/380/440	7.40	84.0	14.47
3.7/5	1440	184TC	131508	748	B	82	220/380/440	8.10	85.0	15.47

LEESON AC METRIC (IEC) MOTORS

THREE PHASE



AC METRIC MOTORS

These high efficiency motors meet North American performance standards and EPACT energy efficiency mandates, and have 1.15 service factors.

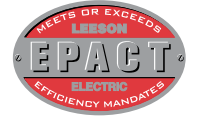
Typically used for replacement on machine tools, textile machinery and other equipment with metric dimensions but requiring the heavy-duty torque and performance of motors designed for use in North America.

Two frame constructions are offered:

Aluminum frame models are designated with a 192000 series catalog number, while **cast iron frame** models are 193000 series.

Both types are built to meet international standards and feature IP55 weatherproof enclosures, 60/50 Hz interchangeability (60Hz 230/460 V & 50Hz 200/400V), dual stamped nameplates, CE mark, and F3 conduit box location. Kits are available for field conversion from B3 to B3/B5 or B3/B14.

LEESON's Inverter Rated Insulation System, (IRIS™) provides superior protection against voltage spikes induced by variable frequency drives. Always available on cast iron motors now available on aluminum motors produced January 2004 and later.



ALUMINUM FRAME

CSA: File number LR33543
UL: File number E57948 for motors produced January 2004 and later

IP55 weatherproof enclosure allows for use in a wide range of applications.

Drain Hole locations in four quadrants can be drilled-out for multi-position condensate drainage.

D flange (B5) and C face (B14) models available. Field conversion kits also offered.

"Captive Shaft" keyway.

Drilled and tapped shaft.

Oil seals on both the drive end and non drive end.

High efficiency design utilizes low-loss steel laminations for optimum power and performance.

Terminal Boards included.
• 230/460V motors have 9 leads.
• 575V motors have 3 leads.
• All terminal boards have 6 posts.

Conduit box with neoprene gaskets. Reposition metric "PG" tapped lead exit hole by rotating box in 90 degree increments. Move box to F1 or F2 position by relocating motor feet.

Special design steel fan cover and low-noise fan maximize airflow efficiency.

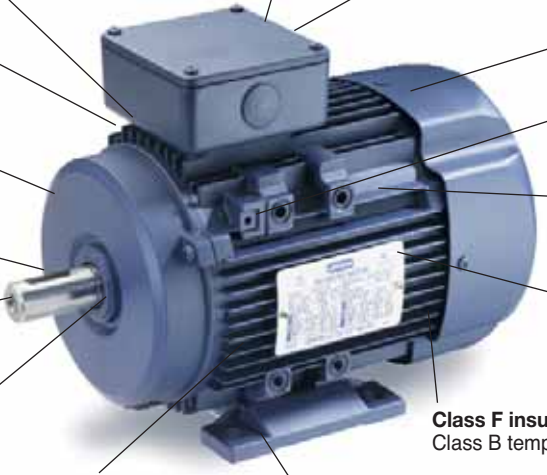
External grounding provision.

Multi-mount repositionable feet allow for three conduit box positions (F2, F1, F3).

Aluminum "full fact" nameplate with information on motor efficiency and power factor. Stamped with 60 Hz and 50 Hz data.

Class F insulation system with Class B temperature rise or lower.

Removable feet.



CAST IRON FRAME

CSA: File number LR62104
UL: File number E57948 for motors produced June 2003 and later

Terminal Boards included.
• 230/460V motors, 132-frame and larger have 12 leads and 9 post terminal boards.
• 230/460V motors, smaller than 132-frame have 9 leads and 6 post terminal boards.
• 575V motors have 3 leads and 6 post terminal boards.

IP55 weatherproof enclosure allows for use in a wide range of applications.

D flange (B5) and C face (B14) models available. Field conversion kits also offered.

Drilled and tapped shaft.

Oil seals on both the drive end and non drive end.

Cast iron mounting feet are precision machined for accurate alignment.

Conduit box with neoprene gaskets. Reposition metric "PG" threaded lead exit by rotating box in 90 degree increments. Motors 132 frame and larger have second lead exit hole for auxiliary box. Box is fixed at F3 location.

Heavy-duty cast iron construction includes frame, endbells and conduit box.

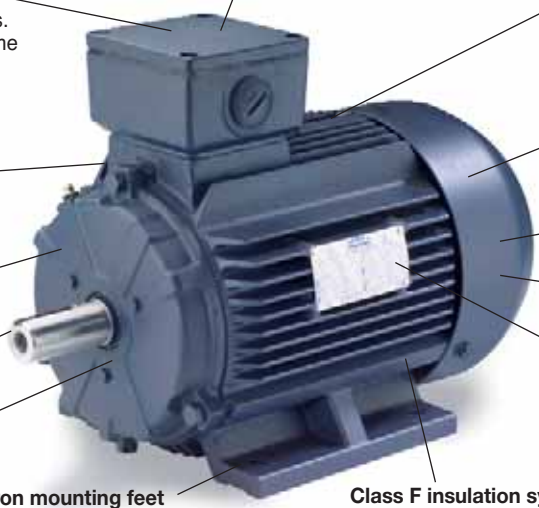
High efficiency design utilizes low-loss steel laminations for optimum power and performance.

Non-sparking fan. Small size reduces noise and enhances efficiency.

Steel fan cover.

Stainless steel "full fact" nameplate with information on motor efficiency and power factor. Stamped with 60 Hz and 50 Hz data

Class F insulation system with Class B temperature rise or lower.





B3 FOOT-MOUNTED METRIC MOTORS • 230/460V

Metric-dimensioned, AC motors meeting North American performance standards, including 1.15 service factor and EPACT efficiencies. For replacement use on machine tools, textile machinery and other equipment with metric dimensions but requiring the heavy-duty torque and performance characteristics of motors designed for use in North America.

IP55 weatherproof enclosures, 60/50 Hz interchangeability (60Hz 230/460V & 50Hz 200/400V), dual stamped nameplates, CE mark, and F3 conduit box location. Kits are available for field conversion from B3 to B3/B5 or B3/B14. See pages 74 and 75 for details.

Motors are available in one of two frame constructions: aluminum or cast iron. Aluminum frame models are designated with a 192000 series catalog number; cast iron models are 193000 series.



THREE PHASE • IP55 • 1.15 S.F.

HP-KW	RPM 60 Hz	IEC Frame	Catalog Number	List Price	Disc. Sym.	App. Wgt. (lbs.)	Voltage	F.L. Amps 230V	% F.L. Eff.	"C" Dim. (Inches)
1/4-0.18	3425	D63	192010	\$190	A	10	230/460	0.8	72.0	8.55
	1700	D63	192011	198	A	11	230/460	1.1	68.0	8.55
	1100	D71	192012	337	A	12	230/460	1.2	64.0	9.16
1/3-0.25	3425	D63	192020	218	A	11	230/460	1.1	72.0	8.55
	1700	D71	192021	231	A	13	230/460	1.4	68.0	9.46
	1100	D80	192022	361	A	17	230/460	1.3	70.0	11.11
1/2-0.37	3425	D71	192030	237	A	13	230/460	1.6	74.0	9.46
	1700	D71	192031	241	A	14	230/460	1.8	74.0	9.46
	1100	D80	192032	377	A	19	230/460	1.9	72.0	11.11
3/4-0.55	3425	D71	192040	247	A	15	230/460	2.4	74.0	9.46
	1700	D80	192041	261	A	18	230/460	2.5	74.0	11.11
	1100	D80	192042	404	A	22	230/460	2.7	72.0	11.11
1-0.75	3425	D80	192050	281	A	21	230/460	2.8	75.5	11.11
	1700	D80	192051	286	A	26	230/460	3.2	80.0	11.11
	1100	D90S	192052	421	B	33	230/460	3.3	80.0	12.61
1 1/2-1.1	3425	D80	192060	311	B	27	230/460	4.0	84.0	11.11
	1700	D90S	192061	318	B	37	230/460	4.6	85.5	12.61
2-1.5	3425	D90S	192070	332	B	33	230/460	5.2	85.5	12.61
	1700	D90L	192071	343	B	38	230/460	5.8	84.0	12.61
	1100	DF100L	193072	557	B	82	230/460	6.4	84.0	14.97
3-2.2	3425	D90L	192080	477	B	39	230/460	7.2	86.5	12.61
	1750	DF100L	193081	540	B	84	230/460	8.2	87.5	14.97
	1140	DF112M	193082	784	B	100	230/460	9.6	87.5	15.76
4-3	3510	DF100L	193090	575	B	71	230/460	10.0	87.5	14.97
	1750	DF100L	193091	586	B	84	230/460	10.4	85.5	14.97
	1180	DF132S	193092	950	B	154	230/460	13.4	87.5	18.72
5 1/2-4	3510	DF112M	193100	740	B	104	230/460	13.6	87.5	15.76
	1750	DF112M	193101	714	B	104	230/460	15.0	87.5	15.76
	1180	DF132M	193102	1098	B	176	230/460	17.6	87.5	20.29
7 1/2-5.5	3510	DF132S	193110	928	B	152	230/460	18.4	88.5	18.72
	1760	DF132S	193111	928	B	150	230/460	19.8	89.5	18.72
	1180	DF132M	193112	1320	B	180	230/460	22.0	89.5	20.29
10-7.5	3510	DF132S	193120	994	B	163	230/460	24.0	89.5	18.72
	1760	DF132M	193121	1101	B	174	230/460	26.2	89.5	20.29
	1180	DF160M	193122	1712	C	251	230/460	27.2	89.5	23.64
15-11	3550	DF160M	193130	1608	C	260	230/460	34.4	91.0	23.64
	1760	DF160M	193131	1608	C	264	230/460	36.6	91.0	23.64
	1180	DF160L	193132	2197	C	330	230/460	38.8	90.2	25.39

THREE PHASE • IP55 • 1.15 S.F.

HP-KW	RPM 60 Hz	IEC Frame	Catalog Number	List Price	Disc. Sym.	App. Wgt. (lbs.)	Voltage	F.L. Amps 230V	% F.L. Eff.	"C" Dim. (Inches)
20-15	3550	DF160M	193140	\$1887	C	269	230/460	47.0	91.0	23.64
	1760	DF160L	193141	1989	C	311	230/460	47.6	91.7	25.41
	1180	DF180L	193142	3081	C	385	230/460	51.4	90.2	27.97
25-18.5	3550	DF160L	193150	2297	C	319	230/460	57.2	91.0	25.41
	1775	DF180M	193151	2528	C	381	230/460	59.4	92.4	26.40
	1180	DF200L	193152	3865	C	517	230/460	64.0	91.7	30.54
30-22	3550	DF180M	193160	2730	C	355	230/460	68.8	91.0	26.40
	1775	DF180L	193161	2841	C	427	230/460	71.0	93.0	27.97
	1180	DF200L	193162	4378	C	467	230/460	76.0	91.7	30.54
40-30	3550	DF200L	193170	3886	C	522	230/460	94.0	91.7	30.54
	1775	DF200L	193171	4184	C	531	230/460	94.0	93.0	30.54
	1180	DF225M	193172	6576	C	633	230/460	100.0	93.0	33.29
50-37	3550	DF200L	193180	5096	C	546	230/460	117.0	92.4	30.54
	1775	DF225S	193181	5804	C	632	230/460	118.0	93.0	32.31
	1180	DF250M	193182	9218	C	655	230/460	120.0	93.0	36.61

METRIC (IEC) B5 FLANGE KITS

Includes parts to convert these B3 rigid mount motors to a B5 flange mounting. See kits on page 78.



METRIC (IEC) B14 FACE KITS

Includes parts to convert these B3 rigid mount motors to a B14 face mounting. See kits on page 79.



REDUCED DIAMETER METRIC FLANGES

Imported OEM equipment can often have a flange face that is different from it's motor's frame size. LEESON now stocks metric (IEC) reduced diameter B14 flanges so you can put a 71 frame flange on an 80 frame motor for example. Flanges come pre-fitted with oil seals and have all the necessary hardware for easy field mounting.

Motor Frame	B14 Flange Frame	Catalogue Number	List Price
63	56	175900	\$44
71	63	175901	50
80	71	175902	57
90	80	175903	60



12-lead Delta windings (160MD frame and larger)
for across-the-line or wye-delta starts.

SHADED FRAME INDICATES CAST IRON CONSTRUCTION

See Page 306 for metric IEC Motor Dimensions
Catalog numbers in green are EPACT motors.

All three phase motors, 1 HP and above, are inverter
rated. Refer to page 5 for speed ranges.



AC METRIC (IEC) MOTORS

THREE PHASE • RIGID BASE WITH FLANGE

B3/B5 FLANGE-MOUNTED METRIC MOTORS • 230/460V

Metric-dimensioned, AC motors meeting North American performance standards, including 1.15 service factor and EPACT efficiencies. Motors have both B5 flange mounting and B3 base.

Typically used for replacement on machine tools, textile machinery and other equipment with metric dimensions but requiring the heavy-duty torque and performance characteristics of motors designed for use in North America.

IP55 weatherproof enclosures, 60/50 Hz interchangeability (60Hz 230/460V & 50Hz 200/400V), dual stamped nameplates, CE mark, and F3 conduit box location.

Motors are available in one of two frame constructions: aluminum or cast iron. Aluminum frame models are designated with a 192000 series catalog number; cast iron models are 193000 series.



THREE PHASE • IP55 • 1.15 S.F.

HP-KW	RPM 60 Hz	IEC Frame	Catalog Number	List Price	Disc. Sym.	App. Wgt. (lbs.)	Voltage	F.L. Amps 230V	% F.L. Eff.	"C" Dim. (Inches)
1/4-0.18	3425	D63D	192014	\$218	A	10	230/460	0.8	72.0	8.54
	1700	D63D	192015	225	A	11	230/460	1.0	68.0	8.54
	1100	D71D	192016	386	A	12	230/460	1.2	64.0	9.45
1/3-0.25	3425	D63D	192024	252	A	11	230/460	1.1	72.0	8.54
	1700	D71D	192025	260	A	13	230/460	1.4	68.0	9.45
	1100	D80D	192026	416	A	17	230/460	1.3	70.0	11.10
1/2-0.37	3425	D71D	192034	259	A	13	230/460	1.6	74.0	9.45
	1700	D71D	192035	268	A	14	230/460	1.8	74.0	9.45
	1100	D80D	192036	431	A	19	230/460	1.9	72.0	11.10
3/4-0.55	3425	D71D	192044	274	A	15	230/460	2.4	74.0	9.45
	1700	D80D	192045	291	A	18	230/460	2.5	74.0	11.10
	1100	D80D	192046	458	A	22	230/460	2.7	72.0	11.10
1-0.75	3425	D80D	192054	302	A	21	230/460	2.8	75.5	11.10
	1700	D80D	192055	315	A	26	230/460	3.2	80.0	11.10
	1100	D90SD	192056	482	B	35	230/460	3.3	80.0	12.60
1 1/2-1.1	3425	D80D	192064	343	A	30	230/460	4.0	84.0	11.10
	1700	D90SD	192065	349	B	37	230/460	4.6	85.5	12.60
2-1.5	3425	D90SD	192074	380	B	33	230/460	5.2	85.5	12.60
	1700	D90LD	192075	391	B	38	230/460	5.8	84.0	12.60
	1100	DF100LD	193076	640	B	82	230/460	6.4	84.0	14.96
3-2.2	3425	D90LD	192084	538	B	39	230/460	7.2	86.5	12.60
	1750	DF100LD	193085	621	B	84	230/460	8.2	87.5	14.96
	1140	DF112MD	193086	876	B	100	230/460	9.6	87.5	15.75
4-3	3510	DF100LD	193094	658	B	71	230/460	10.0	87.5	14.96
	1750	DF100LD	193095	667	B	84	230/460	10.4	85.5	14.96
	1180	DF132SD	193096	1072	B	154	230/460	13.4	87.5	18.70
5 1/2-4	3510	DF112MD	193104	829	B	104	230/460	13.6	87.5	15.75
	1750	DF112MD	193105	803	B	104	230/460	15.0	87.5	15.75
	1180	DF132MD	193106	1221	B	176	230/460	17.6	87.5	20.28
7 1/2-5.5	3510	DF132SD	193114	1047	B	152	230/460	18.4	88.5	18.70
	1760	DF132SD	193115	1047	B	150	230/460	19.8	89.5	18.70
	1180	DF132MD	193116	1444	B	180	230/460	22.0	89.5	20.28
10-7.5	3510	DF132SD	193124	1118	B	163	230/460	24.0	89.5	18.70
	1760	DF132MD	193125	1225	B	174	230/460	26.2	89.5	20.28
	1180	DF160MD	193126	1945	C	251	230/460	27.2	89.5	23.62
15-11	3550	DF160MD	193134	1844	C	260	230/460	34.4	91.0	23.62
	1760	DF160MD	193135	1844	C	264	230/460	36.6	91.0	23.62
	1180	DF160LD	193136	2432	C	330	230/460	38.8	90.2	25.39

Note: Aluminum motors have removable feet for round-body applications.

**12-lead Delta windings (160MD frame and larger)
for across-the-line or wye-delta starts.**

THREE PHASE • IP55 • 1.15 S.F.

HP-KW	RPM 60 Hz	IEC Frame	Catalog Number	List Price	Disc. Sym.	App. Wgt. (lbs.)	Voltage	F.L. Amps 230V	% F.L. Eff.	"C" Dim. (Inches)
20-15	3550	DF160MD	193144	\$2107	C	269	230/460	47.0	91.0	23.62
	1760	DF160LD	193145	2223	C	311	230/460	47.6	91.7	25.39
	1180	DF180LD	193146	3380	C	385	230/460	51.4	90.2	27.95
25-18.5	3550	DF160LD	193154	2534	C	319	230/460	57.2	91.0	25.39
	1775	DF180MD	193155	2829	C	381	230/460	59.4	92.4	26.38
30-22	3550	DF180MD	193164	3029	C	355	230/460	68.0	91.0	26.38
	1775	DF180LD	193165	3143	C	427	230/460	71.0	93.0	27.95

Larger HP B3 Foot-Mounted metric motors on page 77 can be converted to B3/B5 Flange-Mount by installing B5 Flange Kits.



METRIC (IEC) B5 FLANGE KITS

Includes parts to convert a B3 rigid mount motor (page 73) to B5 flange mounting.

For Aluminum Frame Motors Only (192000 Series)

	63 Frame			71 Frame			80 Frame			90 Frame		
	List Price	Cat. No.	App. Wgt. (lbs.)	List Price	Cat. No.	App. Wgt. (lbs.)	List Price	Cat. No.	App. Wgt. (lbs.)	List Price	Cat. No.	App. Wgt. (lbs.)
(B5) Flange	\$52	175850	1	\$62	175852	1	\$67	175854	2	\$70	175856	2

For Cast Iron Frame Motors Only (193000 Series)

These kits are for use only on IEC cast iron motors built after May, 2000. For information on kits for such motors built prior to May, 2000, contact LEESON.

	100 Frame			112 Frame			132 Frame			160 Frame			180 Frame		
	List Price	Cat. No.	App. Wgt. (lbs.)	List Price	Cat. No.	App. Wgt. (lbs.)	List Price	Cat. No.	App. Wgt. (lbs.)	List Price	Cat. No.	App. Wgt. (lbs.)	List Price	Cat. No.	App. Wgt. (lbs.)
(B5) Flange ^①	\$100	175882	13	\$107	175884	16	\$142	175886	20	\$268	175888	36	\$332	175890	43
(B5) Flange ^②	\$100	175984	13	\$107	175986	16	\$142	175988	20	\$268	175990	36	Use 175890		

	200 Frame			225 Frame		
	List Price	Cat. No.	App. Wgt. (lbs.)	List Price	Cat. No.	App. Wgt. (lbs.)
(B5) ^{①②} Flange	\$434	175994	58	\$555	175995	73

① Use with F2-mount motors – date code April 2002 and earlier.

② Use with F3-mount motors – date code May 2002 and later.

SHADED FRAME INDICATES CAST IRON CONSTRUCTION

Catalog numbers in green are EPACT motors.

All three phase motors, 1 HP and above, are inverter rated. Refer to page 5 for speed ranges.

B3/B14 FACE-MOUNTED METRIC MOTORS • 230/460V

Metric-dimensioned, AC motors meeting North American performance standards, including 1.15 service factor and EPACT efficiencies. These motors have both B14 face mounting and B3 base.

Typically used for replacement on machine tools, textile machinery and other equipment with metric dimensions but requiring the heavy-duty torque and performance characteristics of motors designed for use in North America.

IP55 weatherproof enclosures, 60/50 Hz interchangeability (60Hz 230/460V & 50Hz 200/400V), dual stamped nameplates, CE mark, and F3 conduit box location.

Motors are available in one of two frame constructions: aluminum or cast iron. Aluminum frame models are designated with a 192000 series catalog number; cast iron models are 193000 series.



THREE PHASE • IP55 • 1.15 S.F.

HP-KW	RPM 60 Hz	IEC Frame	Catalog Number	List Price	Disc. Sym.	App. Wgt. (lbs.)	Voltage	F.L. Amps 230V	% F.L. Eff.	"C" Dim. (Inches)
1/4-0.18	3425	D63C	192017	\$214	A	10	230/460	0.8	72.0	8.55
	1700	D63C	192018	222	A	11	230/460	1.0	68.0	8.55
	1100	D71C	192019	386	A	12	230/460	1.2	64.0	9.46
1/3-0.25	3425	D63C	192027	250	A	11	230/460	1.1	72.0	8.55
	1700	D71C	192028	253	A	13	230/460	1.4	68.0	9.46
	1100	D80C	192029	416	A	17	230/460	1.3	70.0	11.11
1/2-0.37	3425	D71C	192037	254	A	13	230/460	1.6	74.0	9.46
	1700	D71C	192038	264	A	14	230/460	1.8	74.0	9.46
	1100	D80C	192039	431	A	19	230/460	1.9	72.0	11.11
3/4-0.55	3425	D71C	192047	268	A	15	230/460	2.4	74.0	9.46
	1700	D80C	192048	287	A	18	230/460	2.5	74.0	11.11
	1100	D80C	192049	458	A	22	230/460	2.7	72.0	11.11
1-0.75	3425	D80C	192057	294	A	21	230/460	2.8	75.5	11.11
	1700	D80C	192058	308	A	26	230/460	3.2	80.0	11.11
	1100	D90SC	192059	482	B	35	230/460	3.3	80.0	12.60
1 1/2-1.1	3425	D80C	192067	335	A	27	230/460	4.0	84.0	11.11
	1700	D90SC	192068	342	B	37	230/460	4.6	85.5	12.61
2-1.5	3425	D90SC	192077	373	B	33	230/460	5.2	85.5	12.61
	1700	D90LC	192078	380	B	38	230/460	5.8	84.0	12.61
	1100	DF100LC	193079	640	B	82	230/460	6.4	84.0	14.97
3-2.2	3425	D90LC	192087	538	B	39	230/460	7.2	86.5	12.61
	1750	DF100LC	193088	621	B	84	230/460	8.2	87.5	14.97
	1140	DF112MC	193089	876	B	84	230/460	9.6	87.5	15.76
4-3	3510	DF100LC	193097	658	B	71	230/460	10.0	87.5	14.97
	1750	DF100LC	193098	667	B	84	230/460	10.4	85.5	14.97
	1180	DF132SC	193099	1072	B	154	230/460	13.4	87.5	18.72
5 1/2-4	3510	DF112MC	193107	829	B	104	230/460	13.6	87.5	15.76
	1750	DF112MC	193108	803	B	104	230/460	15.0	87.5	15.76
	1180	DF132MC	193109	1221	B	176	230/460	17.6	87.5	20.29
7 1/2-5.5	3510	DF132SC	193117	1047	B	152	230/460	18.4	88.5	18.72
	1760	DF132SC	193118	1047	B	150	230/460	19.8	89.5	18.72
	1180	DF132MC	193119	1444	B	180	230/460	22.0	89.5	20.29
10-7.5	3510	DF132SC	193127	1118	B	163	230/460	24.0	89.5	18.72
	1760	DF132MC	193128	1225	B	174	230/460	26.2	89.5	20.29
	1180	DF160MC	193129	1945	C	251	230/460	27.2	89.5	23.64
15-11	3550	DF160MC	193137	1844	C	260	230/460	34.4	91.0	23.64
	1760	DF160MC	193138	1844	C	264	230/460	36.6	91.0	23.64
	1180	DF160LC	193139	2432	C	330	230/460	38.8	90.2	25.41

Note: Aluminum motors have removable feet for round-body applications.

**12-lead Delta windings (160MD frame and larger)
for cross-the-line or wye-delta starts.**

THREE PHASE • IP55 • 1.15 S.F.

HP-KW	RPM 60 Hz	IEC Frame	Catalog Number	List Price	Disc. Sym.	App. Wgt. (lbs.)	Voltage	F.L. Amps 230V	% F.L. Eff.	"C" Dim. (Inches)
20-15	3550	DF160MC	193147	\$2107	C	269	230/460	47.0	91.0	23.64
	1760	DF160LC	193148	2223	C	311	230/460	47.6	91.7	25.41
25-18.5	3550	DF160LC	193157	2534	C	319	230/460	57.2	91.0	25.41

Larger HP B3 Foot-Mounted metric motors on page 77 can be converted to B3/B14 Flange-Mount by installing B14 Face Kits



METRIC (IEC) B14 FACE KITS

Includes parts to convert a B3 rigid mount motor (page 73) to B14 face mounting.

For Aluminum Frame Motors Only (192000 Series)

	63 Frame			71 Frame			80 Frame			90 Frame		
	List Price	Cat. No.	App. Wgt. (lbs.)	List Price	Cat. No.	App. Wgt. (lbs.)	List Price	Cat. No.	App. Wgt. (lbs.)	List Price	Cat. No.	App. Wgt. (lbs.)
(B14) Face	\$48	175851	1	\$52	175853	1	\$60	175855	1	\$65	175857	1

For Cast Iron Frame Motors Only (193000 Series)

These kits are for use only on IEC cast iron motors built after May, 2000. For information on kits for such motors built prior to May, 2000, contact LEESON.

	100 Frame			112 Frame			132 Frame			160 Frame		
	List Price	Cat. No.	App. Wgt. (lbs.)	List Price	Cat. No.	App. Wgt. (lbs.)	List Price	Cat. No.	App. Wgt. (lbs.)	List Price	Cat. No.	App. Wgt. (lbs.)
(B14) Face ^①	\$91	175883	8	\$100	175885	8	\$134	175887	12	\$259	175889	25
(B14) Face ^②	\$91	175985	8	\$100	175987	8	\$134	175989	12	\$259	175991	25

^① Use with F2-mount motors – date code April 2002 and earlier.

^② Use with F3-mount motors – date code May 2002 and later.

QUICK REFERENCE

DC METRIC MOTORS	Page 84
50 HZ MOTORS.....	74
METRIC (IEC) MOTOR DIMENSIONS.....	310
METRIC (IEC) ENCLOSURE NOMENCLATURE	308

SHADED FRAME INDICATES CAST IRON CONSTRUCTION

Catalog numbers in green are EPACT motors.

All three phase motors, 1 HP and above, are inverter rated. Refer to page 5 for speed ranges.



AC METRIC (IEC) MOTORS

THREE PHASE • RIGID BASE

B3 FOOT-MOUNTED METRIC MOTORS • 575 VOLT

Metric-dimensioned, AC motors meeting North American performance standards, including 1.15 service factor and EPACT efficiencies. For replacement use on machine tools, textile machinery and other equipment with metric dimensions but requiring the heavy-duty torque and performance characteristics of motors designed for use in North America.

IP55 weatherproof enclosures, stamped nameplates, CE mark, and F3 conduit box location. Kits are available for field conversion from B3 to B3/B5 or B3/B14. See pages 78 & 79 for details.

Motors are available in one of two frame constructions: aluminum or cast iron. Aluminum frame models are designated with a 192000 series catalog number; cast iron models are 193000 series.



THREE PHASE • IP55 • 1.15 S.F.

HP-KW	RPM 60 Hz	IEC Frame	Catalog Number	List Price	Disc. Sym.	App. Wgt. (lbs.)	Voltage	F.L. Amps 575V	% F.L. Eff.	"C" Dim. (in.)
1/4-0.18	3425	D63	192088	\$190	A	10	575	0.3	72.0	8.54
	1700	D63	192089	198	A	11	575	0.4	68.0	8.54
1/3-0.25	3425	D63	192097	222	A	11	575	0.4	74.0	8.54
	1700	D71	192098	231	A	13	575	0.6	67.0	9.45
1/2-0.37	3425	D71	192106	237	A	13	575	0.7	74.0	9.45
	1700	D71	192107	241	A	14	575	0.7	74.0	9.45
3/4-0.56	3425	D71	192115	247	A	15	575	0.9	74.0	9.45
	1700	D80	192116	261	A	18	575	1.0	73.0	11.10
1-0.75	3425	D80	192124	281	A	21	575	1.1	75.5	11.10
	1700	D80	192125	286	A	26	575	1.4	82.5	11.10
1 1/2-1.1	3425	D80	192133	311	B	27	575	1.6	82.5	11.10
	1700	D90S	192134	318	B	37	575	1.8	84.0	12.60
2-1.5	3425	D90S	192142	332	B	33	575	2.1	84.0	12.60
	1700	D90L	192143	343	B	38	575	2.4	84.0	12.60
3-2.2	3425	D90L	192148	717	B	39	575	2.9	85.8	12.60
	1750	DF100L	193193	540	B	84	575	3.5	87.5	14.96
4-3	3510	DF100L	193199	575	B	71	575	4.0	87.5	14.96
	1750	DF100L	193200	586	B	84	575	4.2	87.5	14.96
5 1/2-4	3510	DF112M	193208	740	B	104	575	5.0	87.5	15.75
	1750	DF112M	193209	714	B	104	575	5.4	87.5	15.75
7 1/2-5.5	3510	DF132S	193217	928	B	152	575	7.2	88.5	18.70
	1760	DF132S	193218	928	B	150	575	7.9	89.5	18.70
10-7.5	3510	DF132S	193226	994	B	163	575	9.6	89.5	18.70
	1760	DF132M	193227	1101	B	174	575	10.5	89.5	20.28
15-11	3550	DF160M	193235	1608	C	260	575	13.8	90.2	23.62
	1760	DF160M	193236	1608	C	264	575	14.6	91.0	23.62

THREE PHASE • IP55 • 1.15 S.F.

HP-KW	RPM 60 Hz	IEC Frame	Catalog Number	List Price	Disc. Sym.	App. Wgt. (lbs.)	Voltage	F.L. Amps 575V	% F.L. Eff.	"C" Dim. (in.)
20-15	3550	DF160M	193244	\$1887	C	269	575	18.8	90.2	23.62
	1760	DF160L	193245	1989	C	311	575	19.0	91.0	25.39
25-18.5	3550	DF160L	193253	2297	C	319	575	22.9	91.0	25.39
	1775	DF180M	193254	2528	C	381	575	23.8	92.4	26.38
30-22	3550	DF180M	193262	2730	C	355	575	27.5	91.0	26.38
	1775	DF180L	193263	2841	C	427	575	28.4	92.4	27.95
40-30	3550	DF200L	193271	3886	C	522	575	38.4	91.7	30.51
	1775	DF200L	193272	4184	C	531	575	37.6	93.0	30.51
50-37	3550	DF200L	193280	5096	C	546	575	46.8	92.4	30.51
	1775	DF225S	193281	5804	C	632	575	47.2	93.0	33.26

METRIC (IEC) B5 FLANGE KITS

Includes parts to convert these B3 rigid mount motors to a B5 flange mounting. See kits on page 78.



METRIC (IEC) B14 FACE KITS

Includes parts to convert these B3 rigid mount motors to a B14 face mounting. See kits on page 79.



REDUCED DIAMETER METRIC FLANGES

Imported OEM equipment can often have a flange face that is different from its motor's frame size. LEESON now stocks metric (IEC) reduced diameter B14 flanges so you can put a 71 frame flange on an 80 frame motor for example. Flanges come pre-fitted with oil seals and have all the necessary hardware for easy field mounting.

Motor Frame	B14 Flange Frame	Catalogue Number	List Price
63	56	175900	\$44
71	63	175901	50
80	71	175902	57
90	80	175903	60



12-lead Delta windings (160MD frame and larger)
for across-the-line or wye-delta starts.

SHADED FRAME INDICATES CAST IRON CONSTRUCTION

See page 306 for metric IEC Motor Dimensions

All three phase motors, 1 HP and above, are inverter
rated. Refer to page 5 for speed ranges.

NEMA FRAME MOTORS • SCR RATED

General Specifications:

High voltage permanent magnet DC motors are typically used with an SCR (thyristor) controller in applications requiring adjustable speed and constant torque throughout the speed range. They are also widely used in applications requiring dynamic braking or adjustable speed/reversing capabilities.



Mechanical Features:

Low profile space-saving design. Unique brush holder design provides easy access to brushes and integral constant pressure brush/spring assembly for servicing. Large oversized brushes assure longer brush life. Heavy-duty, stamped steel, bolt-on base (removable). NEMA C face mounting at no additional cost. Rugged die cast aluminum endshields with cast iron bearing inserts. Permanently lubricated sealed ball bearings. May be converted NEMA 48 base and/or C face using modification kits noted below.

Electrical Features:

Input power of 115 or 230 volts rectified AC when used with an appropriate SCR control. Linear speed/torque characteristics over entire speed range. High starting torque for heavy load applications. Capable of dynamic braking for faster stops. Reversible rotation with simple two-lead connection. For further information on Direct Current Motors, request Bulletin 1600.

PWM RATED PM DC MOTORS

The DC motors listed above have been designed for use on unfiltered SCR (Thyristor) type rectified AC input. These motors may also be used with PWM (pulse width modulated) type DC adjustable speed drives at a higher HP rating. See the chart on page 308 for re-rating data.

TACHOMETER MOUNTING KITS FOR DC MOTORS

All necessary parts to mount listed tachometers to stock TEFC SCR motors. Consists of machined cast fan cover, coupling and hardware. Does not include tachometer. Tach adapter kit is not suitable for catalog number 108502.



Tachometer Type	NEMA Frame	IEC Frame	Catalog Number	List Price	Disc. Sym.	App. Wt. (lbs.)
GE 5PY Series	SS56	71	175156	\$220	A	5
	S56	80	175193	229	A	5
	56/145	—	175158	450	A	5
Servo-tek	SS56	71	175157	231	A	8
SA740 Series	S56	80	175194	243	A	8
	56/145	—	175159	514	A	8

MODIFICATION KITS

Motors with S56C or SS56C frame sizes may be converted to 42/48 C face using the following:

Frame	Catalog No.	List Price	Disc. Sym.
SS56C	175182	\$37	A
S56C	175082 ◇	37	A

DC motors in NEMA S56C frame may be converted to 48 base using the following:

Frame	Catalog No.	List Price	Disc. Sym.
S56C	175080 ◇	\$29	A

TEFC • SCR RATED 90 & 180 VOLTS NEMA 56C • C FACE WITH REMOVABLE BASE^Δ

HP	Full Load RPM	NEMA Frame□	Catalog Number	List Price	Disc. Sym.	App. Wgt. (lbs.)	Arm. Volts DC	Control Volts AC Input	F.L. Amps DC	"C" Dim. (Inches)
1/4	1750	SS56C	098002	\$486	A	19	90	115	2.5	10.81
	1750	SS56C	098003	486	A	22	180	230	1.4	11.31
1/3	1750	SS56C	098004	516	A	23	90	115	3.5	11.31
	1750	SS56C	098005	516	A	23	180	230	1.7	11.31
	1140	S56C	109098	632	A	32	90	115	3.5	12.81
1/2	2500	SS56C	098006	516	A	22	90	115	5.0	10.81
	2500	SS56C	098007	516	A	22	180	230	2.5	10.81
	1750	SS56C	098000	574	A	26	90	115	5.0	11.81
	1750	S56C	108014	602	A	29	90	115	5.0	12.81
	1750	SS56C	098008	574	A	25	180	230	2.5	11.81
	1750	S56C	108015	602	A	30	180	230	2.5	12.81
	1140	S56C	109099	664	A	40	90	115	5.0	13.81
3/4	2500	SS56C	098009	618	A	26	90	115	7.6	11.81
	2500	S56C	108016	649	A	29	90	115	7.6	12.81
	2500	SS56C	098010	618	A	25	180	230	3.8	11.81
	2500	S56C	108017	649	A	29	180	230	3.8	12.81
	1750	SS56C	098032	697	A	36	90	115	7.6	13.81
	1750	S56C	108018	732	A	38	90	115	7.6	13.81
	1750	SS56C	098069	697	A	36	180	230	3.8	13.81
	1750	S56C	108019	732	A	35	180	230	3.8	13.81
	1140	S56C	109100	897	A	49	90	115	7.5	16.81
	1	2500	S56C	108020	697	A	34	90	115	10.0
2500		S56C	108021	697	A	38	180	230	5.0	13.81
1750		S56C	108022	852	A	47	90	115	10.0	16.31
1750		S56C	108023	852	A	39	180	230	5.0	14.81
1140		S56C	128023	1699	B	82	90	115	11.0	18.34
1½	2500	S56C	108265	1032	A	43	180	230	7.5	14.81
	1750	S56C	108092	1065	A	53	180	230	7.6	16.88
	1750	S56/145TC	108262 ■	1065	A	54	180	230	7.6	17.38
	1750	145TC	128000	1617	B	70	180	230	7.5	18.34
2	2500	S56/145TC	108266 ■	1617	A	51	180	230	8.6	16.88
	1750	145TC	128010	1929	B	83	180	230	9.5	19.34
	1750	182/145TC	128001 ◀	1929	B	84	180	230	9.5	19.34
	1750	182/145TC	108502 ◀	2688	B	88	180	230	14.0	21.75

Δ If base is removed, do not reinstall bolts without using washers to compensate for thickness of base.

◀ NEMA 145TC face mounting with removable NEMA 182T rigid base.

■ NEMA 145TC frame shaft 7/8" x 2 1/4" and NEMA 56 removable base.

□ SS56C motors have a 4.88 inch diameter frame. S56C motors have a 5.61 inch diameter frame.



TEFC • SCR RATED 90 & 180 VOLTS NEMA 56C • C FACE LESS BASE*

HP	Full Load RPM	NEMA Frame	Catalog Number	List Price	Disc. Sym.	App. Wgt. (lbs.)	Arm. Volts DC	Control Volts AC Input	F.L. Amps DC	"C" Dim. (Inches)
1/4	1750	SS56C	098377	\$470	A	19	90	115	2.5	10.81
1/3	1750	SS56C	098378	500	A	23	90	115	3.5	11.31
1/2	1750	SS56C	098379	557	A	29	90	115	5.0	11.81
3/4	1750	SS56C	098380	679	A	38	90	115	7.6	13.81
1	1750	S56C	109096	834	A	47	90	115	10.0	16.31
	1750	S56C	109097	834	A	39	180	230	5.0	14.81

* No tapped holes provided for attaching a bolt-on base.

◇ Addition of base kit will result in non-NEMA BA dimension of 2 3/4". Addition of C face kit will result in conduit box located at 1 o'clock facing lead end.



DC MOTORS

EXPLOSION-PROOF AND WASHGUARD • SCR RATED

DC Motors

NEMA FRAME • EXPLOSION-PROOF FOR HAZARDOUS LOCATIONS

General Specifications:

These explosion-proof motors are designed and approved for application in hazardous environments having certain explosive gases or materials present.



Features:

Rugged mechanical construction meeting all requirements for safety. UL and CSA listed. NEMA 56C face with removable 56 frame base. Leads exit through 3/4"-14NPT pipe-nipple in the top of the motor frame, opposite the shaft end. **Conduit box is not provided.** See optional conduit box below. These motors have pilot-duty thermostats as standard that must be connected to the SCR control. They are rated for continuous duty with full wave SCR (thyristor) controls. Double-shielded, pre-lubricated ball bearings are standard. Easy brush access for field service. These motors are UL and CSA listed.

Application Notes:

These motors must be applied in accordance with the National Electrical Code, Article #500. For a listing of explosive agents, consult NFPA Publication 497M.

EXPLOSION-PROOF • CLASS I, GROUPS C & D - CLASS II, GROUPS F & G • SCR RATED 90 & 180V C FACE WITH REMOVABLE BASE

HP	Full Load RPM	NEMA Frame	Catalog Number	List Price	Disc. Sym.	App. Wgt. (lbs.)	Arm. Volts DC	Control Volts AC Input	F.L. Amps DC	"C" Dim. (Inches)
1/3	1750	S56C	118015	\$1867	A	27	90	115	3.5	13.41
	1750	S56C	118016	2109	A	30	90	115	4.7	14.41
1/2	1750	S56C	118017	2109	A	32	180	230	2.5	14.41
	1750	S56C	118018	2611	A	40	90	115	7.1	16.41
3/4	1750	S56C	118019	2611	A	36	180	230	3.3	16.41

EXPLOSION-PROOF CONDUIT BOX

UL and CSA listed for Class I, Group C & D, and Class II, Groups F & G locations. Has grounding screw and all hardware provided. Mounts to motor by 3/4"-14NPT opening at rear of box. For NEMA 56 frame motors only.



Catalog Number	List Price	Disc. Sym.	App. Wgt. (lbs.)
175026	\$77	A	2

NEMA FRAME • WASHGUARD

LEESON WASHGUARD

motors are designed for extended life in applications requiring regular washdown as in food processing, or otherwise wet, high humidity environments. WASHGUARD motors retard the entrance of water during cleaning operations and release any water that does enter the motor. Extra protection for the motor's interior prevents rust and corrosion build-up and drains release trapped moisture to insure a longer life than possible with a standard motor.



Mechanical Protection Features:

High quality, corrosion resistant 303 stainless steel shaft plus lubricated spring-loaded contact seals and patented "V" ring Forsheda seal deflect water, protect bearings and the motor's interior. Double sealed, oversized bearings with high temperature moisture resistant lubricant are used.

Frame, base, endshields, armature and interior components protected by enamel and polyester compounds of outstanding adhesion and resistance to moisture, acids, alkalis and oil.

Cast conduit box with threaded entrance, drain holes and tough, high temperature Nitrile gaskets keep water out and resist deflection under high pressure washdowns. Conduit box cover and fan cover, when used, are type 304 stainless steel.

Four drains in each endshield at 3,6,9, and 12 o'clock purge water, and can be repositioned for maximum effectiveness regardless of the motor's mounting. Machined fits are sealed, and nylon gaskets are used to seal bolt heads. Stainless steel data plate.

Chemically inert static free fan is positively positioned on the shaft by opposing flats, shoulder and snap ring arrangement and protected by heavy gauge, stainless steel fan guards. Finished in USDA approved tough white epoxy for superior corrosion resistance and protection against harsh caustic cleaning solutions.

WASHGUARD • NEMA C FACE • REMOVABLE BASE TENV • SCR RATED 90 & 180 VOLTS

HP	Full Load RPM	NEMA Frame	Catalog Number	List Price	Disc. Sym.	App. Wgt. (lbs.)	Arm. Volts DC	Control Volts AC Input	F.L. Amps DC	"C" Dim. (Inches)
1/4	1750	S56C	108423	\$624	A	23	90	115	2.7	10.69
	1750	SS56C	098375	624	A	21	180	230	1.4	10.22
1/3	1750	S56C	108424	660	A	26	90	115	3.5	11.69
	1750	SS56C	098376	660	A	22	180	230	1.7	10.22
1/2	1750	S56C	108226	739	A	38	90	115	4.9	13.69
	1750	S56C	108227	739	A	43	180	230	2.4	13.69
3/4	1750	S56C	108228	897	A	53	90	115	7.0	15.69
	1750	S56C	108229	897	A	50	180	230	3.5	15.69
1	1750	S56C	108230**	1094	A	45	90	115	10.0	15.81
	1750	S56C	108231**	1094	A	42	180	230	5.0	14.81
1 1/2	1750	S56C	108232**	1397	A	50	180	230	7.6	16.81

WASHGUARD • IEC FRAME • TENV IP55 B5 FLANGE WITH REMOVABLE B3 BASE[Ⓢ] SCR RATED 180 VOLTS

Rated HP	Output kW	Full Load RPM	IEC Frame	Catalog Number	List Price	Disc. Sym.	App. Wgt. (lbs.)	Arm. Volts DC	F.L. Amps DC	"C" Dim. (Inches)
1/2	.37	1750	71	098040	\$654	A	22	180	2.5	10.69
3/4	.55	1750	80	108407	886	A	52	180	3.5	16.02

** These motors are totally enclosed fan cooled.

[Ⓢ] If base is removed, do not reinstall bolts without using washers to compensate for the thickness of base.

▲ These WASHGUARD motors are modular design but stocked with B5 flange and B3 foot. The foot is removable. The B5 flange can be replaced with a B14 face or other diameter B5 flanges noted on page 85.

SUB-FHP MOTORS

General Specifications:

Precision subfractional horsepower DC permanent magnet motors designed for use with full wave non-filtered SCR controls for adjustable speed applications requiring dynamic braking and constant torque throughout the speed range.



31/34 Frame

Mechanical Features:

Compact space saving designs. Ball bearings. Long-life brushes for demanding applications. Brushes easily replaced without disassembly of the motor. Standard mounted conduit box on 31 and 34 frame models simplifies connections.



25 Frame

Electrical Features:

Continuous duty with full wave un-filtered rectified SCR (thyristor) controls. Linear speed torque characteristics throughout the speed range. High starting torques. Reversible rotation from a simple two lead connection.

SUB-FHP IP55 WASHGUARD MOTORS

General Specifications:

Precision subfractional horsepower DC permanent magnet motors. Designed for use with fullwave non-filtered SCR controls or battery supplied low voltage for adjustable speed applications requiring constant torque throughout the speed range.



Mechanical Features:

Corrosion resistant 303 stainless steel. Shaft with spring-loaded contact shaft seal protect the double sealed ball bearings and motor interior.

Frame, endshields, armature and interior components protected by enamel and polyester compounds for resistance to moisture, acids, alkalies and oil.

Cast conduit box with threaded conduit holes and Nitrile gaskets keep water out. The conduit box cover is made from 304 stainless steel.

For any condensation that may accumulate inside the motor a one-way stainless steel vapor vent is provided. All hardware is stainless steel. Motor painted with white epoxy for superior corrosion resistance and protection. Gaskets seal conduit box to motor frame and conduit box cover. Thru-bolt heads and nuts sealed with fiber washers. O-rings under each threaded brush cover.

Application Notes:

LEESON WASHGUARD motors are designed for extended life in applications requiring regular washdown or otherwise wet environments. Washguard motors retard the entrance of water. Extra protection for the motor's interior prevents rust and corrosion build-up and releases trapped moisture to insure a longer life than possible with a standard motor.

Dimensions:

Found on page 317.

SCR RATED (90 & 180 V) • TENV • SQUARE FLANGE OR C FACE

HP	Full Load RPM	Frame	Catalog Number	List Price	Disc. Sym.	Arm. Volts DC	Control Volts AC Input	F.L. Amps DC
1/25	3500	25AS	M1110014 [Ⓟ]	\$217	S	3	90	115 0.5
	1750	25CS	M1110003 [Ⓟ]	225	S	3	90	115 0.5
1/15	3500	25CS	M1110015	233	S	5	90	115 0.7
	1750	31BS	M1120013 [Ⓟ]	241	S	5	90	115 0.8
	1750	31BS	M1120039	241	S	7	180	230 0.4
1/10	3500	31BS	M1120060	241	S	5	90	115 1.3
	1750	31CS	M1120014	286	S	7	90	115 1.1
	1750	31CS	M1120041	286	S	7	180	230 0.6
1/8	3500	31CS	M1120059	286	S	6	90	115 1.5
	1750	31ES	M1120027	309	S	7	90	115 1.3
	1750	31ES	M1120045	309	S	7	180	230 0.7
	1750	34D42CZ	M1130053	321	S	8	90	115 1.4
	1750	34D42CZ	M1130118	321	S	7	180	230 0.7
1/6	3500	31ES	M1120058	309	S	9	90	115 1.9
	1750	31GS	M1120042	312	S	9	90	115 1.8
	1750	31GS	M1120043	312	S	11	180	230 0.9
	1750	34E56C	M1130054	327	S	11	90	115 1.7
	1750	34E56C	M1130119	327	S	11	180	230 0.9
1/4	3500	31GS	M1120062	326	S	9	90	115 2.6
	1750	34G56C	M1130055**	338	S	13	90	115 2.7
	1750	34G56C	M1130120**	338	S	13	180	230 1.3

[Ⓟ] 25 frame motors have provisions for an optional conduit box catalog number M1760000, see page 107.

** These motors are totally enclosed fan cooled.

SCR RATED (90 V) • TENV • SQUARE FLANGE OR C FACE

HP	Full Load RPM	Frame	Catalog Number	List Price	Disc. Sym.	Arm. Volts DC	Control Volts AC Input	F.L. Amps DC
1/8	1750	31S	M1120181	\$387	S	90	115	1.5
1/6	1750	31S	M1120183	392	S	90	115	1.9
1/4	2500	32F42CZ	M1120185	426	S	90	115	1.9

LOW VOLTAGE (12 V) • TENV SQUARE FLANGE OR C FACE

HP	Full Load RPM	Frame	Catalog Number	List Price	Disc. Sym.	Arm. Volts DC	F.L. Amps DC
1/8	1750	31S	M1120182	\$403	S	12	10.5
1/6	1750	31S	M1120184	409	S	12	14.5
1/4	2500	32F42CZ	M1120186	444	S	12	20

DC METRIC (IEC) FRAME MOTORS IP54

General Specifications:

These metric dimensioned motors are built to IEC 34-1 electrical and mechanical standards.

The IEC 63 and smaller frames are stocked with an integral B5 flange or B14 face less base. An optional B3 rigid base kit is available.

A unique modular approach for IEC 71 frame and larger allows the motor to be field modified to B3 rigid base mounted construction, B5 flange mounted or B14 face mounted construction using conversion kits. Please note that one or more of the mounting kits must be used with IEC motors of these frame sizes. See listing on next page for B5 flange and B14 face kits. B3 rigid base kits are listed below.

Electrical & Mechanical Features:

A terminal board is provided for connections. All fasteners are metric. Electrical and mechanical features are the same as listed for the NEMA frame motors on the opposite page. Tachometer mounting kits are available for 71 and 80 frames only.



B5 IEC 56 & 63



B14 IEC 56 & 63



B3 FOOT MOUNTING KITS

(For DC Metric Motors Only)

All motors are stocked with provisions to accommodate B3 foot mountings with the packages noted below.

IEC Frame	Catalog Number	List Price	Disc. Sym.
56	175142	\$50	A
63	175143	50	A
71	175144	55	A
80	175145	60	A
90	175146	60	A

TOTALLY ENCLOSED • SCR RATED 180 VOLTS* WITH B5 FLANGE

KW/HP	Full Load RPM	IEC Frame	Catalog Number	List Price	Disc. Sym.	App. Wgt. (lbs.)	F.L. Amps DC	"C" Dim. Inches (mm)
0.06/1/12	1800	56	M1130146●	\$348	S	8	0.5	6.24 (158.6)
0.09/1/8	3000	56	M1130150●	348	S	9	0.7	6.74 (171.3)
	1800	56	M1130147●	373	S	10	0.7	7.55 (191.7)
0.12/1/6	3000	56	M1130151●	360	S	9	0.9	7.55 (191.7)
	1800	63	M1130148	425	S	7	0.9	8.30 (210.8)
0.18/1/4	3000	63	M1130152●	392	S	11	1.3	8.78 (223.1)
	1800	63	M1130149	457	S	13	1.3	9.50 (241.3)
0.25/1/3	3000	63	M1130153	435	S	11	1.7	9.50 (241.3)

These motors have accommodations for B3 base mountings with the kits below.

TOTALLY ENCLOSED • SCR RATED 180 VOLTS* WITH B14 FACE

KW/HP	Full Load RPM	IEC Frame	Catalog Number	List Price	Disc. Sym.	App. Wgt. (lbs.)	F.L. Amps DC	"C" Dim. Inches (mm)
0.06/1/12	3000	56	M1110024●	\$310	S	6	0.4	6.34 (177.0)
	1800	56	M1130136●	348	S	8	0.5	6.24 (158.6)
0.09/1/8	3000	56	M1130140●	348	S	9	0.7	6.74 (171.3)
	1800	56	M1130137●	373	S	14	0.7	7.55 (191.7)
0.12/1/6	3000	56	M1130141●	360	S	10	0.9	7.55 (191.7)
	1800	63	M1130138	425	S	8	0.9	8.30 (210.8)
0.18/1/4	3000	63	M1130142●	392	S	10	1.3	8.78 (223.1)
	1800	63	M1130139	457	S	10	1.3	9.50 (241.3)
0.25/1/3	3000	63	M1130143	435	S	10	1.7	9.50 (241.3)

Except for M1110024, these motors have accommodations for B3 base mountings with the kits below.

TEFC • SCR RATED 180 VOLTS* • ROUND BODY

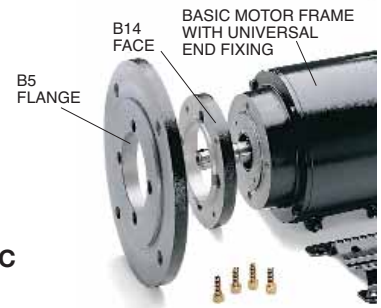
KW/HP	Full Load RPM	IEC Frame	Catalog Number	List Price	Disc. Sym.	App. Wgt. (lbs.)	F.L. Amps DC	"C" Dim. Inches (mm)
0.25/1/3	1800	71	098014	\$454	A	23	1.7	11.28 (286.5)
0.37/1/2	3000	71	098016	485	A	21	2.5	10.78 (273.8)
	1800	71	098015	516	A	26	2.5	11.78 (299.2)
0.55/3/4	3000	71	098017	558	A	24	3.6	11.78 (299.2)
	1800	80	108369	637	A	34	3.5	14.64 (371.9)
0.75/1	3000	80	108372	637	A	45	4.9	14.64 (371.9)
	1800	80	108370	788	A	48	4.6	17.14 (435.4)
1.1/1 1/2	3000	80	108373	705	A	47	7.1	16.14 (410.0)
	1800	80	108371	1040	A	52	7.0	17.14 (435.4)
	1800	90L	118007	1549	B	64	7.5	18.97 (481.8)
1.5/2	3000	90L	118009	1549	B	72	10.0	18.47 (469.1)
	1800	90L	118008	1858	B	84	9.5	20.47 (519.9)
2.2/3	3000	90L	118010	1858	B	82	16.0	19.47 (494.5)
	1800	112M	118014	2593	B	90	14.0	21.79 (553.5)

IMPORTANT: These round body motors require either a B3 rigid base, B14 face or B5 flange kit. Catalog number 118014 comes complete with IEC 112 B14 face and B3 foot; shaft diameter is 24mm.

* For 230 VAC input controls.
● These motors are totally enclosed, non-ventilated. Other ratings utilize IC41 cooling—external cooling fan on motor shaft.

FLANGE AND FACE KITS FOR DC METRIC (IEC) FRAME MOTORS

An advantage of LEESON'S modular design concept is the possible use of a different diameter B5 flange or B14 face than is normally assigned to a motor by IEC dimensional standards. This flexibility makes it possible to accommodate a wide variety of gear reducers, pumps and similar close coupled motor mounted loads.



Round body DC Metric IEC motors will accept any of the flange or face kits listed.

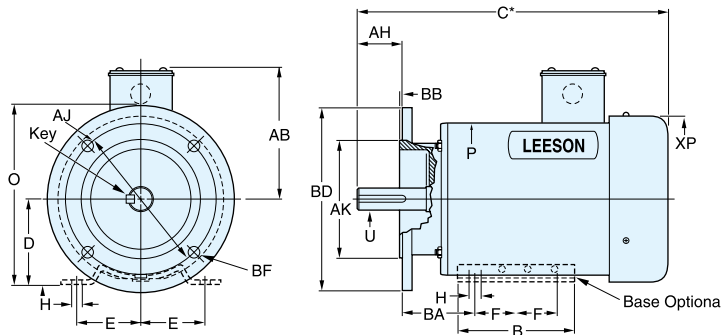
B5 FLANGE KITS (For DC Metric Motors Only)

IEC Frame	Catalog Number	List Price	Disc. Sym.	App. Wgt. (lbs.)	BD Flange Dia. (mm)	AK Register (mm)	BF Hole (mm)	AJ Bolt Circle (mm)
71	175106	\$62	A	2	160	110	9	130
80	175108	62	A	3	200	130	12	165
90S/90L	175108	62	A	3	200	130	12	165
100L/112M	175137	150	A	5	250	180	15	215

B14 FACE KITS (For DC Metric Motors Only)

IEC Frame	Catalog Number	List Price	Disc. Sym.	App. Wgt. (lbs.)	BD Flange Dia. (mm)	AK Register (mm)	BF Tap (mm)	AJ Bolt Circle (mm)
71	175107	\$62	A	1	105	70	6	85
80	175109	62	A	1	120	80	6	100
90S/90L	175129	62	A	1	140	95	6	115
100L/112M	175130	150	A	2	160	110	6	130

CONDENSED DIMENSIONS • DC METRIC (IEC) FRAME MOTORS



*For overall length, see motor listing.

IEC FRAME DIMENSIONS (Millimeters)

IEC Frame	Mounting					Shaft						B14 Face/B5 Flange					General			
	2E	2F	BA	D	H	U	AH	KEY	S	R	TAP	AJ	AK	BD	BF	BB	AB	XP	B	O
56	90	71	36	56	6	9	20	15	3	7.0	M3	65 100	50 80	80 120	M5 7	2.5 2.5	83	96	90	99
63	100	80	40	63	7	11	23	19	4	9.0	M4	75 115	60 95	90 140	M5 9	2.5 3.0	116	96	96	108
71	112	90	45	71	7	14	30	26	5	11.5	M5	85 130	70 110	105 160	M6 9	2.5 3.5	114	130	105	132
80	125	100	50	80	10	19	40	33	6	16.0	M6	100 165	80 130	120 200	M6 12	3.0 3.5	124	149	127	151
90S	140	100	56	90	10	24	50	36	8	20.5	M8	115 165	95 130	140 200	M8 12	3.0 3.5	135	182	152	173
90L	140	125	56	90	10	24	50	36	8	20.5	M8	115 165	95 130	140 200	M8 12	3.0 3.5	135	182	152	173
100L	160	140	63	100	12	28	60	41	8	24.5	M10	130 215	110 180	160 250	M8 15	3.5 4.0	135	182	176	173
112M	190	140	70	112	12	28	60	41	8	24.5	M10	130 215	110 180	160 250	M8 15	3.5 4.0	162	231	176	225

◇ Without face or flange AH shaft dimension is 12mm longer.

All dimensions in millimeters (1 inch = 25.4mm)



DC MOTORS

NEMA FRAME • LOW VOLTAGE 12, 24, 36 & 48 VOLTS

DC Motors

NEMA FRAME LOW VOLTAGE MOTORS

General Specifications:

Low voltage permanent magnet DC motors are suitable for installations having battery or solar powered operations, or generator supplied low voltage DC.

Mechanical Features:

Unique brush holder design provides easy access to brushes and integral, constant pressure brush/spring assembly for servicing. Larger over-sized brushes assure longer brush life. Heavy-duty, stamped steel, bolt-on base (removable). NEMA C face mounting flange at no additional cost. High strength rolled steel frame. Rugged die cast aluminum endshields with steel bearing inserts. Permanently lubricated sealed ball bearings. May be converted to NEMA 48 frame base dimensions or NEMA 42/48 frame C face dimensions using modification kits noted on page 81.

Electrical Features:

High starting torques for heavy load applications. Linear speed/torque characteristics over entire speed range. Capable of dynamic braking for faster stops. Reversible rotation and simple two-lead connection. Convenient wiring access.



DC METRIC (IEC) FRAME MOTORS IP54

General Specifications:

These metric dimensioned motors are built to IEC 34-1 electrical and mechanical standards.

The IEC 63 and smaller frames are stocked with an integral B5 flange or B14 face less base. An optional B3 rigid base kit is available.

A unique modular approach for IEC 71 frame and larger allows the motor to be field modified to B3 rigid base mounted construction, B5 flange mounted or B14 face mounted construction using conversion kits. Please note that one or more of the mounting kits must be used with IEC motors of these frame sizes. See listing on page 85 for B5 flange and B14 face kits. B3 rigid base kits are listed below.

Electrical & Mechanical Features:

A terminal board is provided for connections. All fasteners are metric. Electrical and mechanical features are the same as listed for the NEMA frame motors on the opposite page. Tachometer mounting kits are available for 71 and 80 frames only.



71 & 80 IEC with Modular Flange & Base Kits

LOW VOLTAGE (12, 24, 36 & 48V) • TENV/TEFC NEMA C FACE WITH REMOVABLE BASE

HP	Full Load RPM	NEMA Frame	Catalog Number	List Price	Disc. Sym.	App. Wgt. (lbs.)	Arm. Volts DC	F.L. Amps DC	"C" Dim. (Inches)
1/4	1800	S56C	108045	\$520	A	21	12	21.0	10.44
	1800	S56C	108050	548	A	22	24	13.5	10.94
1/2	1800	S56C	108047	595	A	29	12	39.0	12.44
	1800	S56C	108051	568	A	29	24	20.0	11.94
	1800	SS56C	098381	540	A	29	36	13.5	10.81
	1800	SS56C	098382	523	A	29	48	11.0	10.81
3/4	1800	S56C	108048	657	A	30	12	58.0	13.81
	1800	S56C	108052	594	A	30	24	29.0	12.81
1	1800	S56C	108322	783	A	39	12	80.0	13.81
	1800	S56C	108053	721	A	37	24	39.0	13.81
	1800	S56C	109101	690	A	37	36	25.5	13.81
	1800	S56C	109102	666	A	37	48	18.5	13.81
1 1/2	1800	S56CZ	109103	1051	A	39	24	60.0	15.25
	1800	S56CZ	109104	1038	A	37	36	36.0	17.38
	1800	S56CZ	109105	1002	A	37	48	27.0	17.38
2	1800	S56CZ	109106	1316	A	42	24	70.0	16.74
	1800	S56CZ	109107	1217	A	42	36	49.0	16.74
	1800	S56CZ	109108	1170	A	42	48	38.0	16.74

- ◆ Built-in conduit box located at 12:00.
- ◆ Studs at 12:00.
- Σ If base is removed, do not reinstall bolts without using washers to compensate for thickness of base.
- S56CZ motors have mounting bases with NEMA 56 mounting holes, NEMA 56/143-5T C-face and a NEMA 143-5T shaft extension (7/8" dia. x 2 1/4" long).
- These motors are totally enclosed, non-ventilated.
- SS56C motors have a 4.88 inch diameter frame.
- S56C motors have a 5.61 inch diameter frame.

METRIC (IEC) FRAME • LOW VOLTAGE (24V) • TEFC/TENV • MODULAR DESIGN

kW/HP	Full Load RPM	IEC Frame	Catalog Number	List Price	App. Wgt. (lbs.)	F.L. Amps DC	C Dim. (inches)
0.06/1/12	3000	56	M1110025	\$282	5	3.3	5.34
	1800	56	M1110026	320	6	3.4	6.34
0.18/1/4	3000	63	M1130206*	361	13	11.0	7.75
	3000	63	M1130296^	361	9	11.0	7.75
	1800	63	M1130207*	413	13	10.0	8.75
	1800	63	M1130297^	413	9	10.0	8.75
0.37/1/2	3000	71	098065	494	19	11.0	10.77
	1800	71	098066	511	23	20.0	11.27
		71	098067	540	23	20.0	12.27
0.75/1	3000	80	108456	593	33	40.0	14.14
	1800	80	108455	694	52	39.0	14.64
1.1/1 1/2	3000	80	108457	660	33	65.0	15.64
1.5/2	3000	80	108458	759	43	78.0	17.14

IMPORTANT: IEC 71 and 80 frame motors in this chart are round body and require either B14 face, B5 flange or B3 foot from kits shown on pages 84-85.

- * Dedicated B5 Flange
- ^ Dedicated B14 Face
- These motors are totally enclosed, non-ventilated. Others are TEFC/IC41 cooling – external cooling fan on motor shaft.

SUB-FHP LOW VOLTAGE MOTORS

General Specifications:

Precision sub-fractional horsepower low voltage direct current permanent magnet motors designed for battery or solar powered operations, or generator supplied low voltage DC.

Mechanical Features:

Compact space saving designs. Standard conduit box simplifies connections. Ball bearings. Long-life brushes for demanding applications. Brushes easily replaced without disassembly of motor.

Electrical Features:

High starting torques for heavy load applications. Linear speed/torque characteristics over entire speed range. Capable of dynamic braking for faster stops. Reversible rotation from a simple two lead connection. Class F insulated with high temperature welded commutators.



LOW VOLTAGE (12 & 24V) • TENV • SQUARE FLANGE

HP▲	Full Load RPM	Frame	Catalog Number	List Price	Disc. Sym.	App. Wgt. (lbs.)	Input Volts DC	F.L. Amps DC
1/20	1750	25CS	M1110006*	\$206	S	3	12	4.4
1/10	4200						24	4.4
1/14	1750	31AS	M1120040	241	S	4	12	7.7
1/7	4200						24	7.7
1/7	1750	31ES	M1120044	320	S	9	12	13.0
1/4	3500						24	13.0
1/6	1800	31GS	M1120046	337	S	8	12	14.0
1/3	3900						24	14.0

* 25 frame motors have provision for an optional conduit box catalog number M1760000, see page 107.

▲ These motors may be operated at 12, 24V, or at intermediate voltages between 12 and 24V, within horsepower ranges noted.

COMMERCIAL DUTY METRIC (IEC) FRAME MOTORS

Specially designed low voltage DC motors for use in OEM applications. Combination of features and low cost makes these motors excellent for many uses. All feature IP44 (TENV) enclosure and dedicated B14 face mount. Rated S1 for continuous duty, and zinc plated steel frame construction.



12, 24V & 90 VOLT • TENV B14 FACE MOUNT

HP	Full Load RPM	IEC Frame▲	Catalog Number	List Price▲	App. Wgt. (lbs.)	Arm. Volts DC	F.L. Amps DC
1/15	3000	56	980.159	\$143	2.3	12	6.4
	3000	56	980.143	143	2.3	24	3.2
	3000	56	980.549	138	2.3	90	.75
1/8	3000	56	970.600	166	3.0	12	12.0
	3000	56	970.601	166	3.0	24	5.3
	3000	56	970.576	160	3.0	90	1.2
1/6	3000	56	970.620	179	3.5	12	13.1
	3000	56	970.621	179	3.5	24	6.8
	3000	56	970.577	171	3.5	90	1.6

▲ Use "S" Discount Symbol.

For dimensions, see drawings on page 317.

LOW VOLTAGE ADJUSTABLE SPEED CONTROLLERS

LEESON's DC to DC controllers are a chassis type design, that accept a DC input voltage and output a DC power voltage to control the motor speed. The speed may be varied with the potentiometer that is shipped loose with the control or an external voltage signal.

Higher design efficiency results in longer running time between battery charges than is possible with traditional methods of speed control using resistance in series with the battery.

Typical Operating Features: Provides smooth 40 to 1 speed range capability for mobile equipment. Maintains variable speed control as batteries discharge. Adjustable min/max speed, IR compensation, and 200% current limit overload protection. Inhibit pin terminals provide customer optional start-stop without breaking battery lines. Green LED power on indicator is provided.

Catalog number 175290 does not require a heat sink, and measures 6.9L x 4.44W x 2.19D. Catalog numbers 175291 & 175292 do require heat sink, which is included and measures 7.78L x 6.9W x 3.25D.



Input Voltage	Max. Amp Ratings	Catalog Number	List Price	App. Wgt. (lbs.)	Disc. Sym.
12/24	16	175290	\$416	2	A
12/24	60	175291	507	4	A
36/48	60	175292	507	4	A

LOW VOLTAGE ADJUSTABLE SPEED CONTROLS FOUR QUADRANT CONTROL

General Specifications: This series of drives is a chassis type design that accepts DC input to output up to 100% of the input voltage.

The 12/24-volt drive is rated at 120 amps continuous and the 36/48-volt drive is rated at 100 amps continuous. The speed is adjustable with a speed potentiometer that is shipped loose with the controls. This control also offers extended battery life through a sleep mode feature and has an inhibit circuit for convenient remote starting and stopping.

Additional Features Include: Simple reversing and braking using a switch closure to the drive. Controls have a built-in short circuit to protect itself from a shorted motor. They offer a 1.01 Form Factor, which offers clean DC output for quiet motor operation and efficiency. They also have a temperature sensor, which automatically reduces the current limit if the controller heats up. On Board trim pots for calibration, speed and forward and reverse settings.

Units include heat sink and measure 6.9L x 5.0W (including terminals) x 2.5D and have mounting slots.



Input Voltage	Max. Amp Ratings	Catalog Number	List Price	App. Wgt. (lbs.)	Disc. Sym.
12/24	120	174298	\$899	3	A
36/48	100	174299	899	3	A



DC MOTORS

NEMA & METRIC (IEC) FRAME • SCR RATED

PREMIUM STAINLESS STEEL DUCK



DC Motors

General Specifications:

Designed specifically to meet the demanding sanitation requirements of the pharmaceutical, food processing, and beverage industries. These motors are also ideal in clean room and severe chemical-processing applications involving frequent washdown with nitric acid and caustic lye. In fact, WASHGUARD All-Stainless Motors include IEEE 841 severe-duty features right out of the box!

Mechanical Protection Features:

- All exterior components are 300-series stainless steel
- Nothing on the exterior of the motor is painted or coated in any way
- All sealing components are Viton® for superior chemical resistance.
- Full fact nameplate is laser etched on the motor frame – no separately attached nameplate to trap dirt or contaminants
- Endshields are O-ring sealed to the frame
- Double lip shaft seals on both ends of TEFC motors (shaft end only on TENV motors)
- Removable hydrophobic breathers in opposite shaft endbell and conduit box equalize pressure without allowing moisture to enter
- Exterior fastener use minimized reducing the number of entry points for moisture. There are no holes in the frame for attaching a nameplate. Bearing lock screws are located inside the motor and the conduit box mounted screws have been eliminated.
- Double-sealed bearings are pre-lubricated with moisture-resistant high-temperature grease for long life.
- Interior coatings applied to armature and frame/magnet assemble protect against corrosion
- Brush tubes are sealed with Viton® O-rings to keep moisture out
- New conduit box mounting system provides optimum sealing
- Easy to clean construction is BISSC Certified for bakery applications.

Electrical Performance and Protection Features:

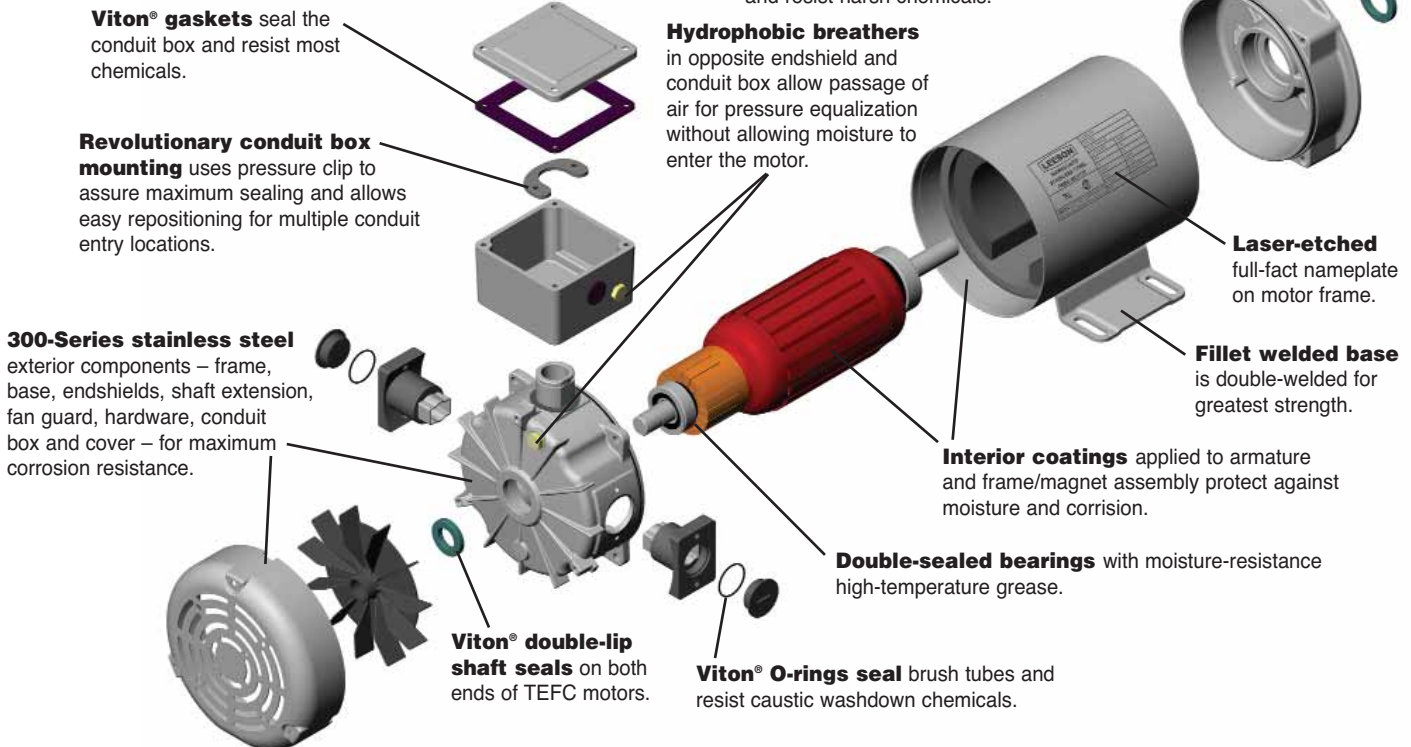
- Linear speed/torque characteristics over entire speed range.
- Armature windings are immersed and cured in a polyester insulating varnish for extra moisture-resistance
- High starting torque for hard to start loads.
- Use with LEESON SPEEDMASTER DC motor controllers for optimum performance.

Standards and Approvals:

- DC motors are UL component recognized - file number E57948, guide number PRGY2
- Construction is CSA Certified for safety report number LR33543
- Listed under BISSC authorization number 769

CHEMICAL RESISTANCE RATING CHART

CHEMICAL	CONCENTRATION	ALL STAINLESS COMPONENTS
WATER:		
De-Ionized Boiling	100%	Excellent
Salt (Immersed)	30%	Excellent
Salt (Spray)	5%	Excellent
Tap - 250°F/120°C @ 10,000 PSI	100%	Excellent
ACIDS:		
Hydrochloric	35%	Poor
Sulfuric	25%	Poor
Nitric	35%	Excellent
Picric	Saturated Solution	Excellent
BASE:		
Caustic	100%	Excellent
Caustic	12.5 pH	Excellent
Caustic - 125°F/50°C	9.5 pH	Excellent
SOLVENTS:		
	-	Excellent



WASHGUARD ALL-STAINLESS DC MOTORS

NEMA & IEC FRAME • SCR RATED



PREMIUM STAINLESS STEEL DUCK

NEMA FRAME ALL-STAINLESS PMDC MOTORS



TEFC • SCR RATED 90 & 180V • NEMA ALL-STAINLESS STEEL • C-FACE WITH BASE*

HP	RPM 60 Hz	NEMA Frame	Catalog Number	List Price	Disc. Sym.	App. Wgt. (lbs.)	Arm. Volts DC	Control Volts AC Input	F.L. Amps DC	"C" Dim. (Inches)
1/4	1750	S56C	109065	\$1036	A	38	90	115	3.1	11.81
1/3	1750	S56C	109066	1096	A	44	90	115	3.8	12.81
		S56C	109067	1096	A	44	180	230	1.9	12.81
1/2	1750	S56C	109069	1280	A	46	90	115	5.2	13.87
		S56C	109070	1280	A	46	180	230	2.7	13.87
3/4	1750	S56C	109072	1559	A	47	90	115	7.5	15.37
		S56C	109073	1559	A	48	180	230	3.7	15.37
1	1750	S56C	109075	1810	A	51	90	115	9.5	16.37
		S56C	109076	1810	A	50	180	230	5.0	16.37

- These motors are totally enclosed non-ventilated, others are TEFC.
- * Base is welded to frame and not removable.

METRIC (IEC) FRAME PMDC MOTORS

TEFC • SCR RATED 90 & 180V • METRIC (IEC) ALL-STAINLESS STEEL • C-FACE WITH BASE*

HP	RPM 60 Hz	IEC Frame	Catalog Number	List Price	Disc. Sym.	App. Wgt. (lbs.)	Arm. Volts DC	Control Volts AC Input	F.L. Amps DC	"C" Dim. (Inches)
1/3	0.25	80D	109068	\$1096	A	44	180	230	1.9	12.81
1/2	0.37	80D	109071	1280	A	46	180	230	2.7	13.87
3/4	0.55	80D	109074	1559	A	48	180	230	3.7	15.37
1	0.75	80D	109077	1810	A	50	180	230	5.0	16.37

- These motors are totally enclosed non-ventilated, others are TEFC.
- * Base is welded to frame and not removable.

TEFC • SCR RATED 90 & 180V • METRIC (IEC) ALL-STAINLESS STEEL • C-FACE LESS BASE

HP	RPM 60 Hz	IEC Frame	Catalog Number	List Price	Disc. Sym.	App. Wgt. (lbs.)	Arm. Volts DC	Control Volts AC Input	F.L. Amps DC	"C" Dim. (Inches)
1/3	0.25	80D	109081	\$1072	A	44	180	230	1.9	12.81
1/2	0.37	80D	109084	1257	A	46	180	230	2.7	13.87
3/4	0.55	80D	109087	1535	A	48	180	230	3.7	15.37
1	0.75	80D	109090	1786	A	50	180	230	5.0	16.37

- These motors are totally enclosed non-ventilated, others are TEFC.

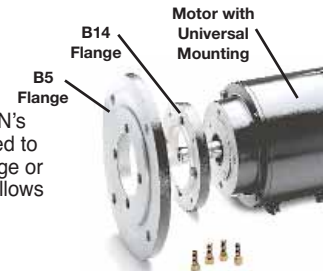
TEFC • SCR RATED 90 & 180V • NEMA ALL-STAINLESS STEEL • C-FACE LESS BASE

HP	RPM 60 Hz	NEMA Frame	Catalog Number	List Price	Disc. Sym.	App. Wgt. (lbs.)	Arm. Volts DC	Control Volts AC Input	F.L. Amps DC	"C" Dim. (Inches)
1/4	1750	S56C	109078	\$1012	A	38	90	115	3.1	11.81
1/3	1750	S56C	109079	1072	A	44	90	115	3.8	12.81
		S56C	109080	1072	A	44	180	230	1.9	12.81
1/2	1750	S56C	109082	1257	A	46	90	115	5.2	13.87
		S56C	109083	1257	A	46	180	230	2.7	13.87
3/4	1750	S56C	109085	1535	A	47	90	115	7.5	15.37
		S56C	109086	1535	A	48	180	230	3.7	15.37
1	1750	S56C	109088	1786	A	51	90	115	9.5	16.37
		S56C	109089	1786	A	50	180	230	5.0	16.37

- These motors are totally enclosed non-ventilated, others are TEFC.

FLANGE AND FACE KITS FOR DC METRIC (IEC) FRAME MOTORS

The modular design concept of LEESON's other metric DC motors has been applied to the all-stainless metric motors. Any flange or face kit can mount on any motor. This allows the greatest flexibility from the smallest inventory of motors.



B5 FLANGE KITS (For Stainless DC Metric Motors)

IEC Frame	Catalog Number	List Price	Disc. Sym.	App. Wgt. (lbs.)	BD Flange Dia. (mm)	AK Register (mm)	BF Hole (mm)	AJ Bolt Circle (mm)
71	175593	\$138	A	2	160	110	9	130
80	175594	166	A	3	200	130	12	165
90S/90L	175594	166	A	3	200	130	12	165
100L/112M	175595	260	A	5	250	180	15	215

B14 FLANGE KITS (For Stainless DC Metric Motors)

IEC Frame	Catalog Number	List Price	Disc. Sym.	App. Wgt. (lbs.)	BD Flange Dia. (mm)	AK Register (mm)	BF Tap (mm)	AJ Bolt Circle (mm)
71	175596	\$105	A	1	105	70	6	85
80	175597	105	A	1	120	80	6	100
90S/90L	175598	286	A	1	140	95	6	115
100L/112M	175599	260	A	2	160	110	6	130

QUICK REFERENCE

Stock Sub-FHP Gearmotors

AC Single & Three Phase

DC SCR & Low Voltage



**Parallel Shaft
PZ Series
Gearmotors**

Single Phase 115V
12-100 In-Lbs
Output Torque
Page 102

BODINE/BISON/DAYTON
DIRECT INTERCHANGE

DC SCR 90 & 180V
10-100 In-Lbs
Output Torque
Low Voltage (12V)
36-100 In-Lbs torque
Page 92



**P240 & P300 Series
Gearmotors**

Single Phase 115/230V
43-391 In-Lbs
Output Torque
Page 103

BISON/DAYTON
DIRECT INTERCHANGE

DC SCR 90 & 180V
27-353 In-Lbs
Output Torque
Low Voltage (12V)
113-353 In-Lbs torque
Page 93



**OS300 Series
Gearmotors**

DC SCR 90V
and
Low Voltage (12V)
Output Torque
130-268 In-Lbs
Page 94



**PE350 Series
Gearmotors**

Single Phase 115/230V
25-341 In-Lbs
Output Torque
Three Phase 230/460V
55-320 In-Lbs
Output Torque
Page 104

**BODINE
DIRECT
INTERCHANGE**

DC SCR 90 & 180V
25-371 In-Lbs
Output Torque
Low Voltage (12V)
155-341 In-Lbs torque
Page 95



**P1100 Series
Gearmotors**

Single Phase 115/230V
70-1105 In-Lbs
Output Torque
Three Phase 230/460V
70-1105 In-Lbs
Output Torque
Page 105

BISON/DAYTON
DIRECT INTERCHANGE

DC SCR 90V
105-1112 In-Lbs
Output Torque
Low Voltage (12V)
320-1087 In-Lbs torque
Page 96



**Right-Angle
Worm Type
10 & 13 Series
Gearmotors**

Single Phase 115/230V
14-113 In-Lbs
Output Torque
Page 106

BODINE/DAYTON
DIRECT INTERCHANGE

DC SCR 90 & 180V
5-135 In-Lbs
Output Torque
Low Voltage (12V)
25-135 In-Lbs torque
Page 97



**Bravo Right
Angle
Worm Type
12 Series
Gearmotors**

DC SCR 90V
and
Low Voltage (12V)
Output Torque
46-134 In-Lbs
Page 98

QUICK REFERENCE

Stock Sub-FHP IP55 WASHGUARD Gearmotors



**P300 Series
Gearmotors**

DC SCR 90V
and
Low Voltage (12V)
Output Torque
44-353 In-Lbs
Page 99



**PE350 Series
Gearmotors**

DC SCR 90V
and
Low Voltage (12V)
Output Torque
25-341 In-Lbs
Page 100



**Right-Angle
13 Series
Gearmotors**

DC SCR 90V
and
Low Voltage (12V)
Output Torque
50-135 In-Lbs
Page 101

Stock Sub-FHP Three Phase Inverter Rated Gearmotors



Includes gearmotor
series PZ, P240,
PE350 and 13 series
right-angle

Three phase 230V
12-391 In-Lbs
Output Torque
Page 108

SCR RATED: 10-100 In-Lbs Torque

LOW VOLTAGE: 36-100 In-Lbs Torque

Electrical Specifications:

SCR Rated Gearmotors

Totally enclosed, permanent magnet DC gearmotors, performance matched for continuous duty service over a 60:1 speed range. All have constant torque throughout the range when powered by a full-wave unfiltered SCR-type adjustable speed control having a typical form factor of 1.3 to 1.4.

Low Voltage Gearmotors

Totally enclosed, permanent magnet DC gearmotors, performance matched for continuous duty. Motors are designed for battery power or can be used with a low voltage controller with form factor up to 1.05.

Mechanical Specifications:

Precision machined in-line steel gears, with a first stage steel helical gear followed by spur-type gears. Lubrication is permanent semi-fluid grease, reducing possibility of leakage. Output shafts have needle bearings for high load capacities. Shafts are hardened steel.

Conduit box not included with motor. Optional conduit box and PZ gearmotor mounting bracket shown on page 107.

Application Notes:

These gearmotors are designed for mounting at any angle, but motor below the reducer should be avoided to prevent leakage of lubricant into the motor should the motor shaft seal fail.

The motor's stall torque could exceed recommended full load torques. If this service is anticipated, a current limiting device should be used. This issue is even more critical for low voltage motors, typically no controller is used since motor connected directly to battery, so some type of current limit or fusing should be considered.

Overhung load capacities shown are at center of output shaft.

Model PZ gearmotors have the same mounting dimensions as Bodine model D and Z, Baldor/Boehm, Bison 100 gearmotors, and a number of Dayton gearmotors.

For additional information, see Bulletin 1830.

BODINE/BISON/DAYTON DIRECT INTERCHANGE



PZ SERIES DC • SCR RATED PARALLEL SHAFT • TENV • 1.0 SERVICE FACTOR

Output RPM	F.L. Torque (Lb.In.)	Input HP	Catalog Number	List Price▲	Gearmotor Type & Frame	Ratio to 1	Arm. Volts DC	F.L. Amps DC	Over-hung Load (Lb.)	DIMENSIONS			
										P	X	XL	XH
4	40	1/40	M1115002	\$396	PZ5-30A	450	90	0.46	155	3.00	3.25	9.28	7.72
4	40	1/40	M1125046	396	PZ5-30A	450	180	0.19	155	3.00	3.25	9.30	7.74
10	100	1/20	M1115001	396	PZ4-30E	180	90	0.54	155	3.00	3.25	9.28	7.72
10	100	1/20	M1125047	396	PZ4-30A	180	180	0.31	155	3.00	3.25	9.30	7.74
20	100	1/20	M1115000	396	PZ4-30E	90	90	0.54	155	3.00	3.25	9.28	7.72
20	100	1/20	M1125048	396	PZ4-30A	90	180	0.31	155	3.00	3.25	9.30	7.74
30	100	1/17	M1125002	430	PZ3-30B	60	90	0.80	155	3.00	2.68	8.74	7.18
30	100	1/17	M1125037	430	PZ3-30B	60	180	0.36	155	3.00	2.68	8.74	7.18
60	56	1/17	M1125003	430	PZ3-30B	30	90	0.80	171	3.00	2.68	8.74	7.18
60	56	1/17	M1125036	430	PZ3-30B	30	180	0.36	171	3.00	2.68	8.74	7.18
100	36	1/17	M1125004	430	PZ3-30B	18	90	0.80	171	3.00	2.68	8.74	7.18
100	36	1/17	M1125035	430	PZ3-30B	18	180	0.36	171	3.00	2.68	8.74	7.18
150	24	1/17	M1125005	409	PZ2-30B	12	90	0.80	180	3.00	2.40	8.46	6.90
150	24	1/17	M1125034	409	PZ2-30B	12	180	0.36	180	3.00	2.40	8.46	6.90
300	10	1/17	M1125006	409	PZ2-30B	6	90	0.80	180	3.00	2.40	8.46	6.90
300	10	1/17	M1125033	409	PZ2-30B	6	180	0.36	180	3.00	2.40	8.46	6.90

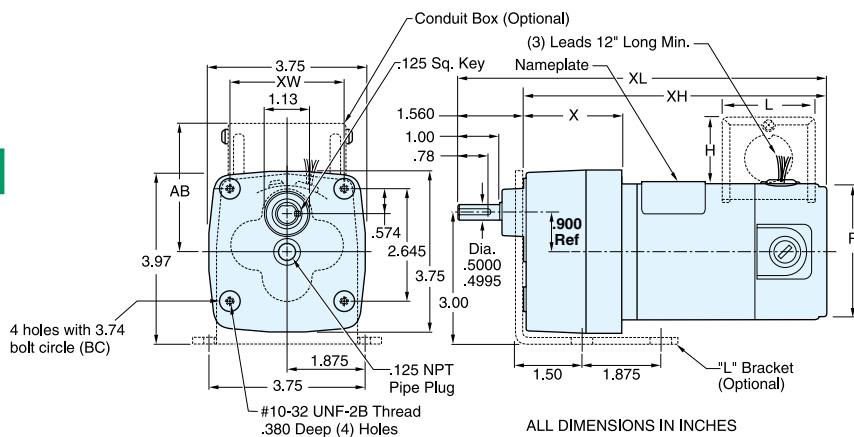
▲ Use "S" discount symbol.

PZ SERIES DC • LOW VOLTAGE (12V) PARALLEL SHAFT • TENV • 1.0 SERVICE FACTOR

Output RPM	F.L. Torque (Lb.In.)	Input HP	Catalog Number	List Price▲	Gearmotor Type & Frame	Ratio to 1	Arm. Volts DC	F.L. Amps DC	Over-hung Load (Lb.)	DIMENSIONS			
										P	X	XL	XH
10	100	1/20	M1125213	\$438	PZ4-30	180	12	2.7	155	3.00	3.25	9.28	7.72
30	100	1/17	M1125214	465	PZ3-30	60	12	5.2	155	3.00	2.68	8.74	7.18
55	56	1/17	M1125215	465	PZ3-30	30	12	5.6	171	3.00	2.68	8.74	7.18
90	36	1/17	M1125216	465	PZ3-30	18	12	5.8	171	3.00	2.68	8.74	7.18

▲ Use "S" discount symbol.

PZ SERIES - DC



ALL DIMENSIONS IN INCHES

CONDUIT BOX DIMENSIONS (IN.)

FRAME	XW	AB	H	L
30/31	2.63	3.47	1.90	3.13

QUICK REFERENCE

GEARMOTOR CROSS REFERENCE	Page 163
"L" BRACKET AND CONDUIT BOX.	107
SPEEDMASTER® CONTROLS.	121

**SCR RATED:
27-353 In-Lbs Torque**

**LOW VOLTAGE:
113-353 In-Lbs Torque**

Electrical Specifications:

SCR Rated Gearmotors

Totally enclosed, permanent magnet DC gearmotors, performance matched for continuous duty service over a 60:1 speed range. All have constant torque throughout the range when powered by a full-wave unfiltered SCR-type adjustable speed control having a typical form factor of 1.3 to 1.4.



Low Voltage Gearmotors

Totally enclosed, permanent magnet DC gearmotors, performance matched for continuous duty. Motors are designed for battery power or can be used with a low voltage controller with form factor up to 1.05.

Mechanical Specifications:

Precision machined in-line steel gears, with a first stage steel helical gear followed by spur-type gears. Lubrication is permanent semi-fluid grease, reducing possibility of leakage. Output shafts have needle bearings for high load capacities. Shafts are hardened steel.

Conduit box not included with motor. Optional conduit box shown on page 107.

Application Notes:

These gearmotors are designed for mounting at any angle, but shaft up with motor below should be avoided to prevent leakage of lubricant into the motor should the motor's shaft seal fail.

Overhung load capacities shown are at center of output shaft.

The motor's stall torque exceeds recommended full load torques. A current limiting device such as an SCR control should be used to prevent damage. Model 300 gearmotors have the same mounting dimensions as Bison's 300 and many Dayton gearmotors.

For additional information, see Bulletin 1830.

**P300 SERIES DC • SCR RATED
PARALLEL SHAFT • TENV • 1.0 SERVICE FACTOR**

Output RPM	F.L. Torque (Lb.In.)	Input HP	Catalog Number	List Price▲	Gearmotor Type & Frame	Ratio to 1	Arm. Volts DC	F.L. Amps. DC	Over-hung Load (Lb.)	DIMENSIONS			
										P	X	XL	XH
5	353	1/20	M1115024	\$567	P303-30E	336	90	0.54	565	3.00	3.54	10.07	8.57
9	268	1/20	M1115025	567	P303-30E	216	90	0.54	474	3.00	3.54	10.07	8.57
18	150	1/20	M1115026	567	P303-30E	103	90	0.54	385	3.00	3.54	10.07	8.57
20	140	1/20	M1125092	581	P303-31E	90	180	0.31	370	3.11	3.54	10.07	8.57
24	280	1/8	M1125069	581	P303-30E	76	90	1.30	353	3.00	3.54	11.54	10.04
31	220	1/8	M1125070	581	P303-30E	58	90	1.30	327	3.00	3.54	11.54	10.04
31	220	1/8	M1125038	581	P303-30E	58	180	0.66	327	3.00	3.54	11.54	10.04
34	82	1/20	M1115027	567	P303-30E	52	90	0.54	318	3.00	3.54	10.07	8.57
51	130	1/8	M1125071	534	P302-30E	35	90	1.30	277	3.00	3.54	11.54	10.04
51	130	1/8	M1125039	534	P302-30E	35	180	0.66	277	3.00	3.54	11.54	10.04
51	55	1/20	M1115028	522	P302-30E	35	90	0.54	281	3.00	3.54	10.07	8.57
61	113	1/8	M1125072	534	P302-30E	29	90	1.30	267	3.00	3.54	11.54	10.04
60	45	1/20	M1125093	534	P302-31E	29	180	0.31	267	3.11	3.54	10.07	8.57
94	77	1/8	M1125073	534	P302-30E	19	90	1.30	236	3.00	3.54	11.54	10.04
94	77	1/8	M1125040	534	P302-30E	19	180	0.66	236	3.00	3.54	11.54	10.04
109	27	1/20	M1115029	522	P302-30E	16	90	0.54	224	3.00	3.54	10.07	8.57
106	26	1/20	M1125094	522	P302-31E	16	180	0.31	222	3.11	3.54	10.07	8.57
167	43	1/8	M1125074	534	P302-30E	11	90	1.30	197	3.00	3.54	11.54	10.04
170	43	1/8	M1125041	534	P302-30E	11	180	0.66	196	3.00	3.54	11.54	10.04

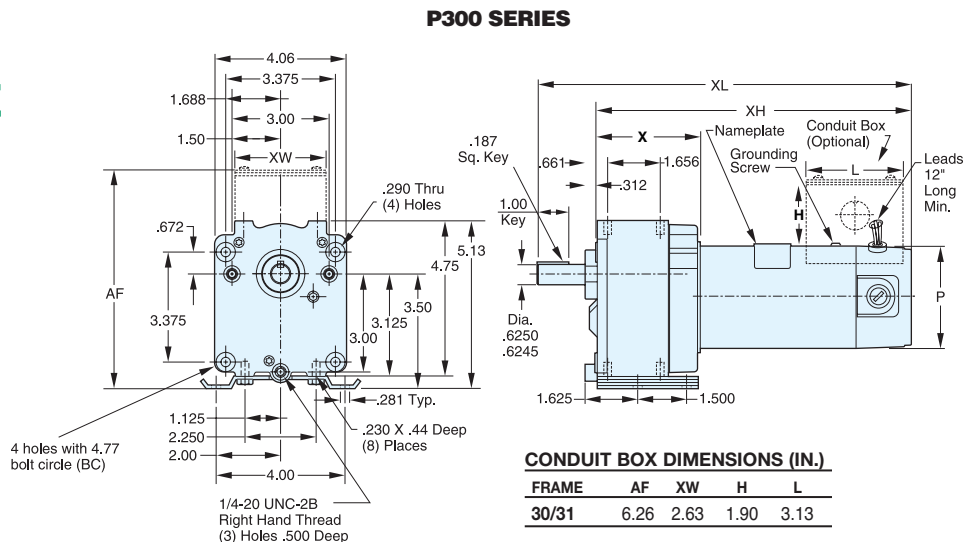
▲ Use "S" discount symbol.

**P300 SERIES DC • LOW VOLTAGE (12V)
PARALLEL SHAFT • TENV • 1.0 SERVICE FACTOR**

Output RPM	F.L. Torque (Lb.In.)	Input HP	Catalog Number	List Price▲	Gearmotor Type & Frame	Ratio to 1	Arm. Volts DC	F.L. Amps. DC	Over-hung Load (Lb.)	DIMENSIONS			
										P	X	XL	XH
5	353	1/20	M1125217	\$581	P303-30	336	12	5.6	565	3.00	3.85	10.07	8.57
31	220	1/8	M1125218	595	P303-30	58	12	10.6	327	3.00	3.54	11.54	10.04
51	130	1/8	M1125219	547	P302-30	35	12	10.3	277	3.00	3.23	11.54	10.04
61	113	1/8	M1125220	547	P302-30	29	12	10.4	267	3.00	3.23	11.54	10.04

▲ Use "S" discount symbol.

**BISON/DAYTON
DIRECT INTERCHANGE**





SUB-FHP DC GEARMOTORS

OFF-SET SHAFT GEARMOTORS

SCR RATED: 130-268 In-Lbs Torque

LOW VOLTAGE: 130-268 In-Lbs Torque

Electrical Specifications:

SCR Rated Gearmotors

Totally enclosed, permanent magnet DC gearmotors, performance matched for continuous duty service over a 60:1 speed range. All have constant torque throughout the range when powered by a full-wave unfiltered SCR-type adjustable speed control having a typical form factor of 1.3 to 1.4.

Low Voltage Gearmotors

Totally enclosed, permanent magnet DC gearmotors, performance matched for continuous duty. Motors are designed for battery power or can be used with a low voltage controller with form factor up to 1.05.

Mechanical Specifications:

Precision machined steel gears, with a first stage steel helical gear followed by spur-type gears. Lubrication is permanent semi-fluid grease, reducing possibility of leakage. Output shafts have needle bearings for high load capacities. Shafts are hardened steel.

Conduit box not included with motor. Optional conduit box shown on page 107.

Application Notes:

These gearmotors are designed for mounting at any angle, but shaft up with motor below should be avoided to prevent leakage of lubricant into the motor should the motor's shaft seal fail.

Overhung load capacities shown are at center of output shaft.

The motor's stall torque exceeds recommended full load torques. A current limiting device such as an SCR control should be used to prevent damage.



OS300 SERIES DC • SCR RATED

OFF-SET SHAFT • TENV • 1.0 SERVICE FACTOR

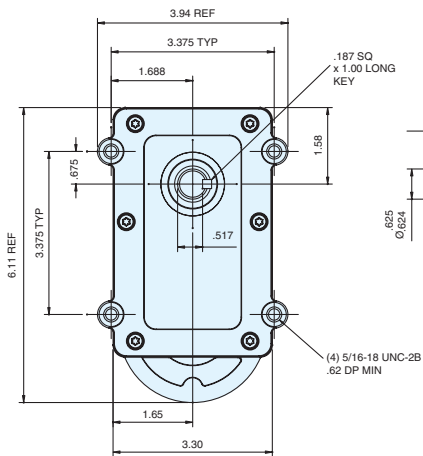
Output RPM	F.L. Torque (Lb.In.)	Input HP	Catalog Number	List Price▲	Gearmotor Type & Frame	Ratio	Arm Volts DC	F.L. Amps DC	Overhung Load Lbs.	DIMENSIONS			
										P	X	XL	XH
9	268	1/20	M1125251	\$477	OS303-30	210	90	.54	474	3.00	2.81	4.50	8.52
19	150	1/20	M1125250	477	OS303-30	103	90	.56	385	3.00	2.81	4.50	8.52
24	280	1/8	M1125249	490	OS303-30	76	90	1.3	353	3.00	2.81	6.42	10.45
31	220	1/8	M1125248	490	OS303-30	58	90	1.4	327	3.00	2.81	6.42	10.45
51	130	1/8	M1125247	490	OS303-30	35	90	1.4	277	3.00	2.81	6.42	10.45

OS300 SERIES DC • LOW VOLTAGE (12V)

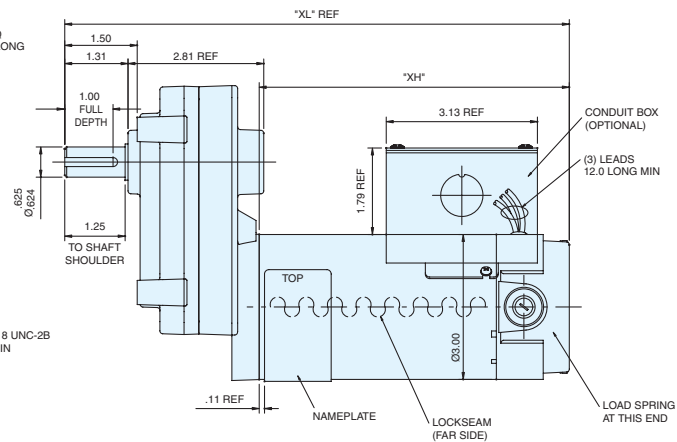
OFF-SET SHAFT • TENV • 1.0 SERVICE FACTOR

Output RPM	F.L. Torque (Lb.In.)	Input HP	Catalog Number	List Price▲	Gearmotor Type & Frame	Ratio	Arm Volts DC	F.L. Amps DC	Overhung Load Lbs.	DIMENSIONS			
										P	X	XL	XH
9	268	1/20	M1125256	\$490	OS303-30	210	12	4.5	474	3.00	2.81	4.50	8.52
18	150	1/20	M1125255	490	OS303-30	103	12	5.0	385	3.00	2.081	4.50	8.52
24	280	1/8	M1125254	502	OS303-30	76	12	10.6	353	3.00	2.81	6.42	10.45
31	220	1/8	M1125253	502	OS303-30	58	12	10.6	327	3.00	2.81	6.42	10.45
51	130	1/8	M1125252	502	OS303-30	35	12	10.3	277	3.00	2.81	6.42	10.45

▲ Use "S" discount symbol.



OS300 SERIES



ALL DIMENSIONS IN INCHES

**SCR RATED:
25-371 In-Lbs Torque**
**LOW VOLTAGE:
155-341 In-Lbs Torque**

Electrical Specifications:

SCR Rated Gearmotors

Totally enclosed, permanent magnet DC gearmotors, performance matched for continuous duty service over a 60:1 speed range. All have constant torque throughout the range when powered by a full-wave unfiltered SCR-type adjustable speed control having a typical form factor of 1.3 to 1.4.



Low Voltage Gearmotors

Totally enclosed, permanent magnet DC gearmotors, performance matched for continuous duty. Motors are designed for battery power or can be used with a low voltage controller with form factor up to 1.05.

Mechanical Specifications:

Gearbox has rugged aluminum die cast housing, for maximum gear and bearing support. Precision machined gearing, hardened for maximum load capability. All gearing designed and rated to AGMA Class 9 standards and to withstand momentary shock overload of 200%. Oversized output bearings for greater overhung load capacity and longer life. High-carbon alloy output shaft provides maximum strength and rigidity. All needle bearing journals are precision-ground after heat treating, to provide maximum finish and fit. Heavy-duty industrial oil seals help keep lubricant in and dirt out. Gears and bearings are splash lubricated with permanent, heavy-duty gear oil.

Conduit box *not* included with motor. Optional conduit box shown on page 107.

Application Notes:

These gearmotors are designed for mounting at any angle, but shaft up with motor below should be avoided to prevent leakage of lubricant into the motor should the motor's shaft seal fail.

Overhung load capacities shown are at center of output shaft.

The motor's stall torque exceeds recommended full load torques. A current limiting device such as an SCR control should be used to prevent damage.

Model PE350 gearmotors have the same mounting dimensions as Bodine's "E" box and many Baldor gearmotors.

PE350 SERIES DC • SCR RATED
PARALLEL SHAFT • TENV • 1.0 SERVICE FACTOR

Output RPM	F.L. Torque (Lb.In.)	Input HP	Catalog Number	List Price▲	Type & Frame	Ratio to 1	Arm Volts DC	F.L. Amps DC	Overhung Load Lbs.	DIMENSIONS XL Inches	DIMENSIONS XH Inches
7	330	1/8	M1135106	\$574	P353-34	336	90	0.70	565	11.31	9.31
7	330	1/8	M1135139	574	P353-34	336	180	0.35	565	11.31	9.31
14	341	1/8	M1135107	574	P353-34	180	90	1.00	465	11.31	9.31
14	341	1/8	M1135140	574	P353-34	180	180	0.50	465	11.31	9.31
21	371	1/4	M1135117	600	P353-34	124	90	1.10	413	13.31	11.31
21	371	1/4	M1135141	600	P353-34	124	180	0.55	413	13.31	11.31
27	305	1/4	M1135115	600	P353-34	91	90	1.50	374	13.31	11.31
27	305	1/4	M1135142	600	P353-34	91	180	0.75	374	13.31	11.31
42	280	1/4	M1135108	600	P353-34	58	90	2.30	327	13.31	11.31
42	280	1/4	M1135143	600	P353-34	58	180	1.20	327	13.31	11.31
50	250	1/4	M1135109	600	P353-34	50	90	2.30	315	13.31	11.31
50	250	1/4	M1135144	600	P353-34	50	180	1.20	315	13.31	11.31
62	220	1/4	M1135110	600	P353-34	43	90	2.30	303	13.31	11.31
62	220	1/4	M1135145	600	P353-34	43	180	1.20	303	13.31	11.31
83	155	1/4	M1135114	567	P352-34	29	90	2.30	267	13.31	11.31
83	155	1/4	M1135146	567	P352-34	29	180	1.20	267	13.31	11.31
125	100	1/4	M1135111	567	P352-34	23	90	2.00	256	13.31	11.31
125	100	1/4	M1135147	567	P352-34	23	180	1.00	256	13.31	11.31
165	70	1/4	M1135112	567	P352-34	15	90	2.00	232	13.31	11.31
165	70	1/4	M1135148	567	P352-34	15	180	1.00	232	13.31	11.31
250	45	1/4	M1135116	567	P352-34	10	90	2.00	201	13.31	11.31
250	45	1/4	M1135149	567	P352-34	10	180	1.00	201	13.31	11.31
500	25	1/4	M1135113	567	P352-34	5	90	2.00	194	13.31	11.31
500	25	1/4	M1135150	567	P352-34	5	180	1.00	194	13.31	11.31

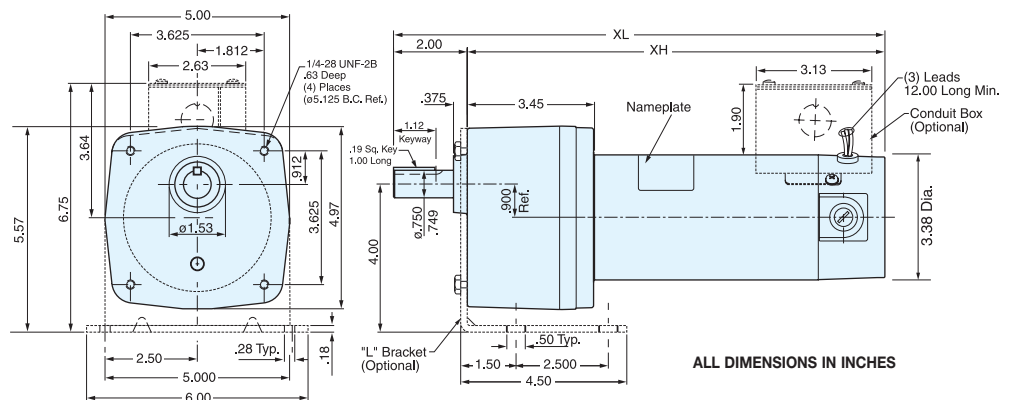
▲ Use "S" discount symbol for all gearmotors.

PE350 SERIES DC • LOW VOLTAGE (12V)
PARALLEL SHAFT • TENV • 1.0 SERVICE FACTOR

Output RPM	F.L. Torque (Lb.In.)	Input HP	Catalog Number	List Price▲	Type & Frame	Ratio to 1	Arm Volts DC	F.L. Amps DC	Overhung Load Lbs.	DIMENSIONS XL Inches	DIMENSIONS XH Inches
14	341	1/8	M1135243	\$585	P353-34	180	12	8.7	465	11.05	9.05
42	325	1/4	M1135244	613	P353-34	58	12	21.0	327	13.31	11.31
62	220	1/4	M1135245	613	P353-34	43	12	21.0	303	13.31	11.31
83	155	1/4	M1135246	581	P352-34	29	12	21.0	267	13.31	11.31

▲ Use "S" discount symbol for all gearmotors.

**BODINE
DIRECT
INTERCHANGE**



SCR RATED:
105-1112 In-Lbs Torque

LOW VOLTAGE:
320-1087 In-Lbs Torque

Electrical Specifications:

SCR Rated Gearmotors

SCR rated, permanent magnet DC gearmotors. Totally enclosed for continuous duty, general purpose applications. All have constant torque throughout the 60:1 speed range, when powered by a full-wave, unfiltered SCR-type adjustable speed control having a typical form factor of 1.3 to 1.4.



Low Voltage Gearmotors

Totally enclosed, permanent magnet DC gearmotors, performance matched for continuous duty. Motors are designed for battery power or can be used with a low voltage controller with form factor up to 1.05.

Mechanical Specifications:

Gearbox has rugged aluminum die cast housing, for maximum gear and bearing support. Precision machined gearing, hardened for maximum load capability. All gearing designed and rated to AGMA Class 9 standards and to withstand momentary shock overload of 200%. Oversized output bearings for greater overhung load capacity and longer life. High-carbon alloy output shaft provides maximum strength and rigidity. All needle bearing journals are precision-ground after heat treating, to provide maximum finish and fit. Heavy-duty industrial oil seals help keep lubricant in and dirt out. Gears and bearings are splash lubricated with permanent, heavy-duty gear oil. **Conduit box is included as standard.**

Application Notes:

These gearmotors are designed for mounting at any angle, but shaft-up with motor below gearhead is not recommended. Overhung load capacities shown are at center of output shaft. P1100 DC gearmotors have the same mounting dimensions as Bison 483 gearmotors and many Dayton gearmotors. The motor's stall torque exceeds recommended full load torques. A current limiting device such as an SCR control should be used to prevent damage. For additional information, see Bulletin 1830.

P1100 SERIES DC • SCR RATED
FRACTIONAL HP • PARALLEL SHAFT • TOTALLY ENCLOSED
1.0 SERVICE FACTOR

Output RPM	F.L. Torque (Lb.in.)	Input HP	Catalog Number	List Price▲	Type & Frame	Ratio to 1	Arm Volts DC	F.L. Amps DC	Overhung Load (Lbs.)	DIMENSIONS XL XH Inches	
8	1087	¼	108700	\$976	P1103-48	212	90	2.7	700	14.24	12.74
12	1030	¼	108701	976	P1103-48	143	90	2.7	700	14.24	12.74
18	750	¼	108702	976	P1103-48	95	90	2.7	700	14.24	12.74
42	353	¼	108703	953	P1102-48	42	90	2.7	650	14.24	12.74
60	238	¼	108704	953	P1102-48	29	90	2.7	625	14.24	12.74
92	160	¼	108705	953	P1102-48	19	90	2.7	575	14.24	12.74
135	105	¼	108706	953	P1102-48	13	90	2.7	525	14.24	12.74
18	1112	½	108707**	1057	P1103-48	95	90	5.0	700	16.49	14.99
33	822	½	108708**	1057	P1103-48	53	90	5.0	650	16.49	14.99
42	705	½	108709**	1035	P1102-48	42	90	5.0	650	16.49	14.99
60	476	½	108710**	1035	P1102-48	29	90	5.0	625	16.49	14.99
92	320	½	108711**	1035	P1102-48	19	90	5.0	575	16.49	14.99
135	210	½	108712**	1035	P1102-48	13	90	5.0	525	16.49	14.99

▲ Use "S" discount symbol.
** TEFC enclosure.

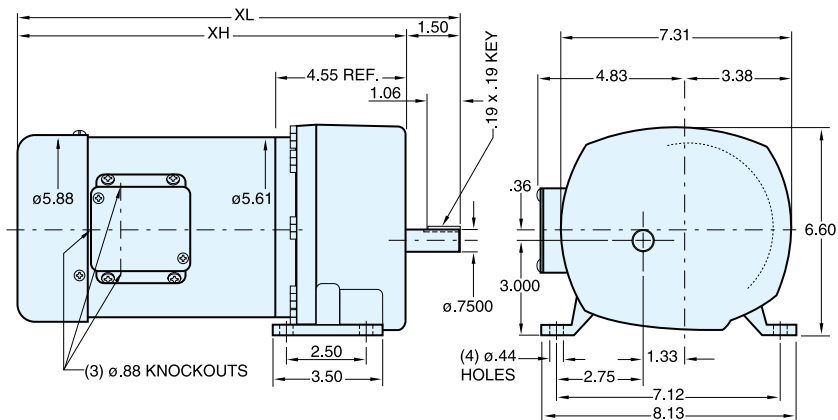
P1100 SERIES DC • LOW VOLTAGE (12V)
FRACTIONAL HP • PARALLEL SHAFT • TOTALLY ENCLOSED
1.0 SERVICE FACTOR

Output RPM	F.L. Torque (Lb.in.)	Input HP	Catalog Number	List Price▲	Type & Frame	Ratio to 1	Arm Volts DC	F.L. Amps DC	Overhung Load (Lbs.)	DIMENSIONS XL XH Inches	
8	1087	¼	108729	\$997	P1103-48	212	12	21.0	700	13.74	12.24
60	238	¼	108730	975	P1102-48	29	12	21.0	625	13.74	12.24
42	705	½	108731**	1057	P1102-48	42	12	40.0	650	15.99	14.49
92	320	½	108732**	1057	P1102-48	19	12	40.0	575	15.99	14.49

▲ Use "S" discount symbol.
** TEFC enclosure.

BISON/DAYTON
DIRECT INTERCHANGE

P1100 SERIES - DC



ALL DIMENSIONS IN INCHES



SCR RATED: 5-135 In-Lbs Torque

LOW VOLTAGE: 25-135 In-Lbs Torque

Electrical Specifications:

SCR Rated Gearmotors

Totally enclosed right-angle gearmotors, performance matched for continuous service over a 60:1 speed range. All have constant torque throughout the range when powered by a full-wave, unfiltered SCR-type 115 volt input adjustable speed control having a typical form factor of 1.3 to 1.4. Also available as factory options are motors for low voltage input and with double output shafts.



Low Voltage Gearmotors

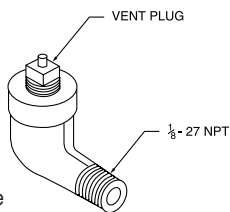
Totally enclosed, permanent magnet DC gearmotors, performance matched for continuous duty. Motors are designed for battery power or can be used with a low voltage controller with form factor up to 1.05.

Mechanical Specifications:

This worm-type right-angle gearing features hardened, steel worm with bronze worm wheel for long life and quiet operation. Precision machined aluminum housings are used. Gearbox has all ball bearings. The housing is sealed and lubrication is permanent with an oil bath. The output shaft is field interchangeable from left hand style to right hand style by reassembly.

Application Notes:

For optimum seal life, these right-angle gearmotors have a lubrication breather positioned for horizontal mounting. For other mountings, the breather-plug must be reoriented by using a 90¹/₈" NPT taper pipe elbow (see drawing). Elbow not available from LEESON. Vent plug is available (Part #M1900177_01). However, the motor portion of the gearmotor should never be mounted below the gearhead.



Overhung load capacities shown are at center of output shaft. **Conduit box not supplied with motor.** See page 103 for optional conduit box and optional base kit.

See page 163 for cross reference data between LEESON and other gearmotors.

For additional information on LEESON gearmotors, see Bulletin 1830.

BODINE/DAYTON DIRECT INTERCHANGE

RIGHT-ANGLE DC • SCR RATED TENV • 1.0 SERVICE FACTOR

Output RPM	F.L. Torque (In.-Lbs.)	Input HP	Catalog Number	List Price▲	Gearmotor Type & Frame	Ratio to 1	Arm Volts DC	Full Load Amps. DC	Over-hung Load (Lbs.)	DIMENSIONS				
										P	PB	X Inches	XL	XH
42	22	1/17	M1115018	\$444	10F60-25D	60	90	1.00	185	2.50	3.00	3.60	8.79	5.19
62	19	1/17	M1115019	444	10F40-25D	40	90	1.00	185	2.50	3.00	3.60	8.79	5.19
125	16	1/17	M1115020	444	10F20-25D	20	90	1.00	185	2.50	3.00	3.60	8.79	5.19
250	10	1/17	M1115021	444	10F10-25D	10	90	1.00	185	2.50	3.00	3.60	8.79	5.19
500	5	1/17	M1115022	444	10F05-25D	5	90	1.00	185	2.50	3.00	3.60	8.79	5.19
42	30	1/12	M1135053	444	13F60-34A	60	180	0.53	235	3.38	4.00	4.50	9.64	5.14
62	35	1/12	M1135054	444	13F40-34A	40	180	0.53	235	3.38	4.00	4.50	9.64	5.14
125	18	1/12	M1135055	444	13F20-34A	20	180	0.53	235	3.38	4.00	4.50	9.64	5.14
250	10	1/12	M1135056	444	13F10-34A	10	180	0.53	235	3.38	4.00	4.50	9.64	5.14
500	5	1/12	M1135057	444	13F05-34A	5	180	0.53	235	3.38	4.00	4.50	9.64	5.14
42	80	1/8	M1135069	512	13F60-34C	60	90	1.40	235	3.38	4.00	4.50	10.64	6.14
62	70	1/8	M1135038	512	13F40-34C	40	90	1.40	235	3.38	4.00	4.50	10.64	6.14
62	70	1/8	M1135058	512	13F40-34C	40	180	0.70	235	3.38	4.00	4.50	10.64	6.14
125	45	1/8	M1135039	512	13F20-34C	20	90	1.40	235	3.38	4.00	4.50	10.64	6.14
125	45	1/8	M1135059	512	13F20-34C	20	180	0.70	235	3.38	4.00	4.50	10.64	6.14
250	25	1/8	M1135040	512	13F10-34C	10	90	1.40	235	3.38	4.00	4.50	10.64	6.14
250	25	1/8	M1135060	512	13F10-34C	10	180	0.70	235	3.38	4.00	4.50	10.64	6.14
500	13	1/8	M1135041	512	13F05-34C	5	90	1.40	235	3.38	4.00	4.50	10.64	6.14
500	13	1/8	M1135061	512	13F05-34C	5	180	0.70	235	3.38	4.00	4.50	10.64	6.14
62	135	1/4	M1135042	551	13F40-34G	40	90	2.30	235	3.38	4.00	4.50	12.64	8.14
62	135	1/4	M1135062	551	13F40-34G	40	180	1.30	235	3.38	4.00	4.50	12.64	8.14
83	125	1/4	M1135043	551	13F30-34G	30	90	2.30	235	3.38	4.00	4.50	12.64	8.14
83	125	1/4	M1135063	551	13F30-34G	30	180	1.30	235	3.38	4.00	4.50	12.64	8.14
125	90	1/4	M1135044	551	13F20-34G	20	90	2.30	235	3.38	4.00	4.50	12.64	8.14
125	90	1/4	M1135064	551	13F20-34G	20	180	1.30	235	3.38	4.00	4.50	12.64	8.14
250	50	1/4	M1135045	551	13F10-34G	10	90	2.30	235	3.38	4.00	4.50	12.64	8.14
250	50	1/4	M1135065	551	13F10-34G	10	180	1.30	235	3.38	4.00	4.50	12.64	8.14
500	30	1/4	M1135046	551	13F05-34G	5	90	2.30	235	3.38	4.00	4.50	12.64	8.14
500	30	1/4	M1135066	551	13F05-34G	5	180	1.30	235	3.38	4.00	4.50	12.64	8.14

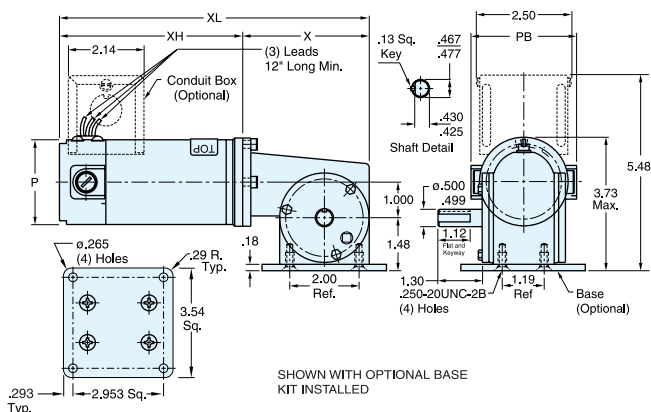
▲ Use "S" discount symbol.

RIGHT-ANGLE DC • LOW VOLTAGE (12V) TENV • 1.0 SERVICE FACTOR

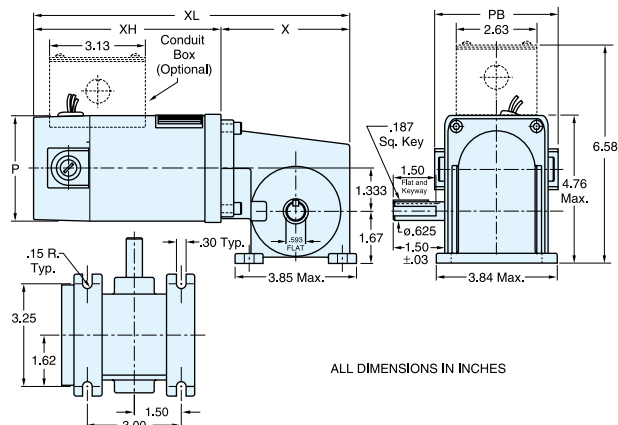
Output RPM	F.L. Torque (In.-Lbs.)	Input HP	Catalog Number	List Price▲	Gearmotor Type & Frame	Ratio to 1	Arm Volts DC	Full Load Amps. DC	Over-hung Load (Lbs.)	DIMENSIONS				
										P	PB	X Inches	XL	XH
42	80	1/8	M1135249	\$522	13F60-34	60	12	11.0	235	3.38	4.21	4.50	10.39	5.89
250	25	1/8	M1135250	522	13F10-34	10	12	11.0	235	3.38	4.21	4.50	10.39	5.89
62	135	1/4	M1135251	559	13F40-34	40	12	21.0	235	3.38	4.21	4.50	12.64	8.14
125	90	1/4	M1135252	559	13F20-34	20	12	21.0	235	3.38	4.21	4.50	12.64	8.14

▲ Use "S" discount symbol.

10 SERIES - DC



13 SERIES - DC



SERIES 12 SUB-FHP

Electrical Specifications:

Both SCR (90 volt) and Low Voltage (12 volt) right angle gearmotors. the 90 volt motors are performance matched for continuous service over a 60:1 speed range. All have constant torque throughout the speed range when powered by a full-wave, unfiltered SCR-type 115 volt input adjustable speed control having a typical form factor of 1.3 to 1.4. The low voltage motors are also performance matched for continuous duty. Motors are designed for battery power or can be used with a low voltage controller with form factor up to 1.05.



Mechanical Specifications:

This worm-type right-angle gearing features hardened, steel worm with bronze worm wheel for long life and quiet operation. Single-piece die cast aluminum alloy housing is vacuum impregnated with Resinol RT for protection and sealing. This gearbox combines light weight with high tensile strength along with being precision machined for alignment of bearings and gearing. For optimum seal life, we use high-temperature Nitrile seals. Gearbox provided with solid output shaft, but can be converted to a hollow output shaft mounting by using snap-ring pliers and remove the snap ring and solid output shaft. Also the T-base feet are bolted to the gearbox, but can easily be removed and converted to face mounting.



Conduit box not supplied with motor. See page 107.

**RIGHT-ANGLE DC • SCR 90 VOLT RATED
TEFC • 1.0 SERVICE FACTOR**

Input HP	F.L. Torque (In.-Lbs.)	Output RPM	Catalog Number	List Price▲	Enclosure	Gearmotor Type & Frame	Ratio to 1	Full Arm Volts DC	Load Amps. DC
1/8*	125	28	M1135292	\$523	TENV	12B60-34D	61	90	1.6
1/8*	87	45	M1135291	523	TENV	12B39-34D	39	90	1.6
1/4	158	58	M1135290	552	TEFC	12B30-34G	30	90	2.8
1/4	100	90	M1135289	552	TEFC	12B19-34G	19	90	2.6
1/4	85	115	M1135288	552	TEFC	12B15-34G	15	90	2.6
1/4	61	167	M1135287	552	TEFC	12B11-34G	10.6	90	2.6
1/4	46	250	M1135286	552	TEFC	12B7-34G	7	90	2.6

* Supplied with TENV motor enclosure
▲ Use "S" discount symbol.

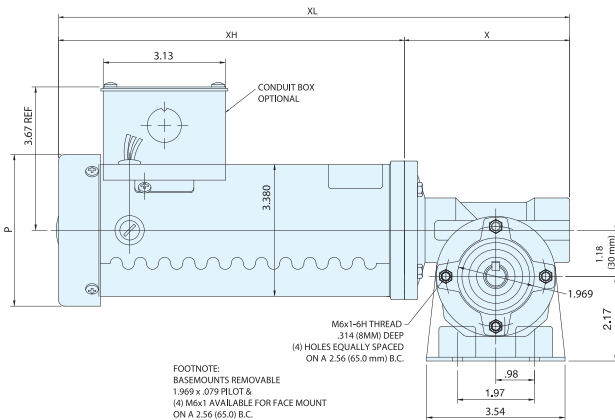
**RIGHT-ANGLE DC • LOW VOLTAGE (12V)
TENV • 1.0 SERVICE FACTOR**

Input HP	F.L. Torque (In.-Lbs.)	Output RPM	Catalog Number	List Price▲	Enclosure	Gearmotor Type & Frame	Ratio to 1	Arm Volts DC	Full Load Amps. DC
1/8	134	27	M1135285	\$544	TENV	12B60-34C	61	12	14
1/8	94	45	M1135284	544	TENV	12B39-34C	39	12	15
1/4	158	58	M1135297	569	TENV	12B30-34F	30	12	24
1/4	100	90	M1135296	569	TENV	12B19-34F	19	12	24
1/4	85	115	M1135295	569	TENV	12B15-34F	15	12	23
1/4	61	167	M1135294	569	TENV	12B11-34F	10.6	12	21
1/4	46	250	M1135293	569	TENV	12B7-34F	7	12	23

▲ Use "S" discount symbol.

NOTES:

1. Conduit box not supplied with the gearmotor. Mounting provisions are provided and can use conduit box kit catalog number M1760007 found on page 107.
2. For solid double output shaft, consult factory.



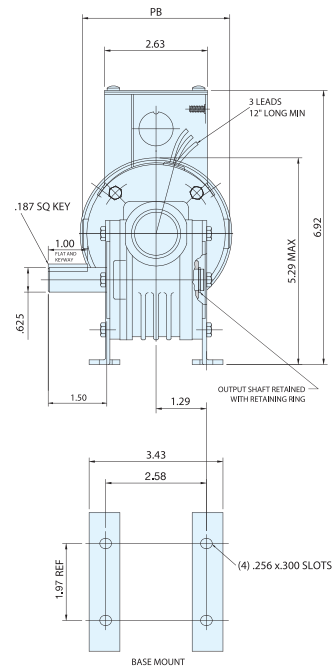
FOOTNOTE:
BASEMOUNTS REMOVABLE
1.969 x .079 FILOET &
(4) M6x1 AVAILABLE FOR FACE MOUNT
ON A 2.56 (65.0) B.C.

**SCR 90 VOLT RATED
DIMENSIONS (INCHES)**

P	X	XL	XH	PB
3.38	4.32	11.07	6.75	4.00
3.38	4.32	11.07	6.75	4.00
3.88	4.32	13.16	8.84	3.76
3.88	4.32	13.16	8.84	3.76
3.88	4.32	13.16	8.84	3.76
3.88	4.32	13.16	8.84	3.76
3.88	4.32	13.16	8.84	3.76
3.88	4.32	13.16	8.84	3.76

**LOW VOLTAGE (12V)
DIMENSIONS (INCHES)**

P	X	XL	XH	PB
3.38	4.32	10.57	6.25	4.21
3.38	4.32	10.57	6.25	4.21
3.38	4.32	11.82	7.5	4.21
3.38	4.32	11.82	7.5	4.21
3.38	4.32	11.82	7.5	4.21
3.38	4.32	11.82	7.5	4.21
3.38	4.32	11.82	7.5	4.21
3.38	4.32	11.82	7.5	4.21



General Specifications:

DC permanent magnet gearmotors rated for continuous duty. Designed for use with fullwave non-filtered SCR controls or battery supplied low voltage for adjustable speed applications requiring constant torque throughout the speed range.



Mechanical Specifications:

Gearbox output shafts are coated with Mirotron 3300 fortified Teflon for superior corrosion resistance.

Frame, endshields, armature and interior components protected by enamel and polyester compounds for resistance to moisture, acids, alkalis and oil.

Cast conduit box with threaded conduit holes and Nitrile gaskets keep water out. The conduit box cover is made from 304 stainless steel.

For any condensation that may accumulate inside the motor, a one-way stainless steel vapor vent is provided. All hardware is stainless steel. Motor painted with white epoxy for superior corrosion resistance and protection. Machined fits between the endbells and motor frame are sealed with gaskets. Thru-bolt heads and nuts sealed with fiber washers. O-rings under each threaded brush cover.

Precision machined in-line steel gears, with a first stage steel helical gear followed by spur-type gears. Lubrication is permanent semi-fluid grease, reducing possibility of leakage. Output shafts have needle bearings for high load capacities.

Application Notes:

LEESON WASHGUARD motors are designed for extended life in applications requiring regular washdown or otherwise wet environments. Washguard motors retard the entrance of water. Extra protection for the motor's interior prevents rust and corrosion build-up and releases trapped moisture to insure a longer life than possible with a standard motor.

These gearmotors are designed for mounting at any angle, but shaft up with motor below should be avoided to prevent leakage of lubricant into the motor should the shaft seal fail.

Overhung load capacities shown are at center of the output shaft.

The motor's stall torque exceeds recommended full load torques for the gearboxes. A current limiting device should be used to prevent damage to the gear sets.

P300 SERIES • SCR RATED • 90V
PARALLEL SHAFT • TENV • 1.0 SERVICE FACTOR

Output RPM	F.L. Torque (Lb.In.)	Input HP	Catalog Number	List Price▲	Gearmotor Type & Frame	Ratio to 1	Arm. Volts DC	Full Load Amps DC	Over-hung Load (Lbs.)	DIMENSIONS				
										P	PB	X Inches	XL	XH
5	353	1/20	M1125261	\$659	P303-31	336	90	.81	565	3.13	3.80	3.54	10.44	8.94
31	220	1/8	M1125262	676	P303-31	58	90	1.6	327	3.13	3.80	3.54	11.94	10.44
51	130	1/8	M1125263	625	P302-31	35	90	1.6	277	3.13	3.80	3.54	11.94	10.44
94	77	1/8	M1125264	625	P302-31	19	90	1.6	236	3.13	3.80	3.54	11.94	10.44
167	43	1/8	M1125265	625	P302-31	11	90	1.6	197	3.13	3.80	3.54	11.94	10.44

▲ Use "S" discount symbol.

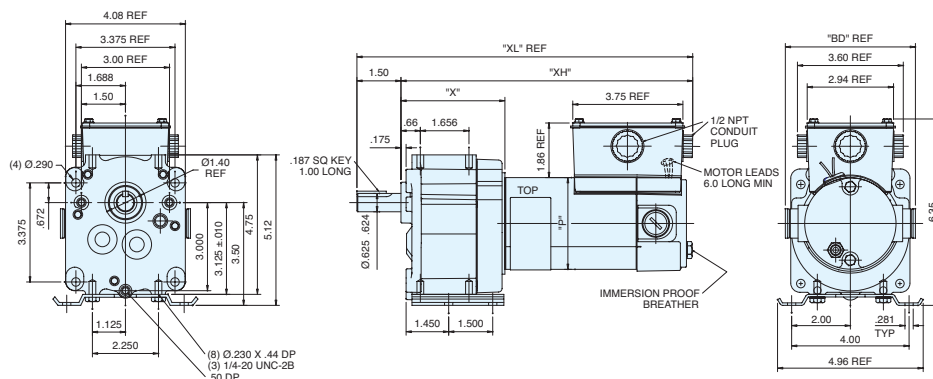
P300 SERIES • LOW VOLTAGE (12V)
PARALLEL SHAFT • TENV • 1.0 SERVICE FACTOR

Output RPM	F.L. Torque (Lb.In.)	Input HP	Catalog Number	List Price▲	Gearmotor Type & Frame	Ratio to 1	Arm. Volts DC	Full Load Amps DC	Over-hung Load (Lbs.)	DIMENSIONS				
										P	PB	X Inches	XL	XH
5	353	1/20	M1125266	\$676	P303-31	336	12	6.4	565	3.13	3.80	3.54	10.44	8.94
31	220	1/8	M1125267	693	P303-31	58	12	11.0	327	3.13	4.43	3.54	11.44	9.94

▲ Use "S" discount symbol.



White Duck





IP55 WASHGUARD GEARMOTORS

PARALLEL SHAFT

General Specifications:

DC permanent magnet gearmotors rated for continuous duty. Designed for use with fullwave non-filtered SCR controls or battery supplied low voltage for adjustable speed applications requiring constant torque throughout the speed range.



Mechanical Specifications:

Gearbox output shafts are coated with Miroton 3300 fortified Teflon for superior corrosion resistance.

Frame, endshields, armature and interior components protected by enamel and polyester compounds for resistance to moisture, acids, alkalis and oil.

Cast conduit box with threaded conduit holes and Nitrile gaskets keep water out. The conduit box cover is made from 304 stainless steel.

For any condensation that may accumulate inside the motor, a one-way stainless steel vapor vent is provided. All hardware is stainless steel. Motor painted with white epoxy for superior corrosion resistance and protection. Machined fits between the endbells and motor frame are sealed with gaskets. Thru-bolt heads and nuts sealed with fiber washers. O-rings under each threaded brush cover.

Precision machined in-line steel gears, with a first stage steel helical gear followed by spur-type gears. Lubrication is permanent semi-fluid grease, reducing possibility of leakage. Output shafts have needle bearings for high load capacities.

Application Notes:

LEESON WASHGUARD motors are designed for extended life in applications requiring regular washdown or otherwise wet environments. WASHGUARD motors retard the entrance of water.

Extra protection for the motor's interior prevents rust and corrosion build-up and releases trapped moisture to insure a longer life than possible with a standard motor.

These gearmotors are designed for mounting at any angle, but shaft up with motor below should be avoided to prevent leakage of lubricant into the motor should the shaft seal fail.

Overhung load capacities shown are at center of the output shaft.

The motor's stall torque exceeds recommended full load torques for the gearboxes. A current limiting device should be used to prevent damage to the gear sets.

PE350 SERIES PARALLEL SHAFT

TENV • 1.0 SERVICE FACTOR • SCR RATED 90V

Output RPM	F.L. Torque (Lb.in.)	Input HP	Catalog Number	List Price▲	Gearmotor Type & Frame	Ratio to 1	Arm Volts DC	Full Load Amps DC	Overhung Load (Lbs.)	DIMENSIONS				
										P	PB	X Inches	XL	XH
14	341	1/8	M1125268	\$681	P353-31	180	90	1.5	465	3.13	3.80	3.45	11.84	9.84
42	280	1/4	M1125269	705	P353-32	58	90	2.6	327	3.25	3.80	3.45	13.84	11.84
83	155	1/4	M1125270	687	P353-32	29	90	2.6	267	3.25	3.80	3.45	13.84	11.84
250	45	1/4	M1125271	687	P352-32	10	90	2.6	201	3.25	3.80	3.45	13.84	11.84
500	25	1/4	M1125272	687	P352-32	5	90	2.6	194	3.25	3.80	3.45	13.84	11.84

▲ Use "S" discount symbol.

PE350 SERIES PARALLEL SHAFT

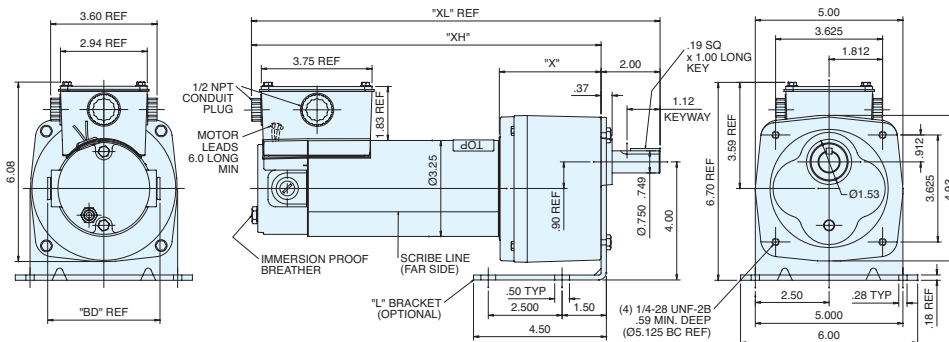
TENV • 1.0 SERVICE FACTOR • LOW VOLTAGE 12V

Output RPM	F.L. Torque (Lb.in.)	Input HP	Catalog Number	List Price▲	Gearmotor Type & Frame	Ratio to 1	Arm Volts DC	Full Load Amps DC	Overhung Load (Lbs.)	DIMENSIONS				
										P	PB	X Inches	XL	XH
14	341	1/8	M1125273	\$699	P353-31	180	12	12	465	3.13	4.43	3.45	11.58	9.58
42	325	1/4	M1125274	738	P353-32	58	12	20	327	3.25	4.43	3.45	13.84	11.84

▲ Use "S" discount symbol.



White Duck



General Specifications:

DC permanent magnet gearmotors rated for continuous duty. Designed for use with fullwave non-filtered SCR controls or battery supplied low voltage for adjustable speed applications requiring constant torque throughout the speed range.



Mechanical Specifications:

Gearbox output shafts are 303 stainless steel.

Frame, endshields, armature and interior components protected by enamel and polyester compounds for resistance to moisture, acids, alkalis and oil.

Cast conduit box with threaded conduit holes and Nitrile gaskets keep water out. The conduit box cover is made from 304 stainless steel.

For any condensation that may accumulate inside the motor, a one-way stainless steel vapor vent is provided. All hardware is stainless steel. Motor painted with white epoxy for superior corrosion resistance and protection.

Machined fits between the endbells and motor frame are sealed with gaskets. Thru-bolt heads and nuts sealed with fiber washers. O-rings under each threaded brush cover.

This worm-type right-angle gearing features hardened, steel worm with bronze worm wheel for long life and quiet operation. Precision machined aluminum housings are used. Gearbox has all ball bearings. The housing is sealed and lubrication is permanent with an oil bath.

Application Notes:

LEESON WASHGUARD motors are designed for extended life in applications requiring regular washdown or otherwise wet environments. WASHGUARD motors retard the entrance of water.

Extra protection for the motor's interior prevents rust and corrosion build-up and releases trapped moisture to insure a longer life than possible with a standard motor.

For optimum seal life, these right-angle gearmotors have a lubrication breather positioned for horizontal mounting. For other mountings, the breather plug must be reoriented by using a 90 1/8 NPT taper pipe elbow. See page 97 or 106 for diagram.

Overhung load capacities shown are at center of the output shaft.

The motor's stall torque exceeds recommended full load torques for the gearboxes. A current limiting device should be used to prevent damage to the gear sets.

RIGHT ANGLE • SCR RATED 90V TENV • 1.0 SERVICE FACTOR

Output RPM	F.L. Torque (Lb.In.)	Input HP	Catalog Number	List Price▲	Gearmotor Type & Frame	Ratio to 1	Arm Volts DC	Full Load Amps DC	Over-hung Load (Lbs.)	DIMENSIONS				
										P	PB	X Inches	XL	XH
42	80	1/8	M1125275	\$681	13F60-31	60	90	2.2	235	3.13	3.80	4.50	10.86	6.36
250	25	1/8	M1125276	681	13F10-31	10	90	2.2	235	3.13	3.80	4.50	10.86	6.36
62	135	1/4	M1125277	687	13F40-32	40	90	3.7	235	3.25	3.80	4.50	12.86	8.36
125	90	1/4	M1125278	687	13F20-32	20	90	3.7	235	3.25	3.80	4.50	12.86	8.36
250	50	1/4	M1125279	687	13F10-32	10	90	3.7	235	3.25	3.80	4.50	12.86	8.36

▲ Use "S" discount symbol.

RIGHT ANGLE • LOW VOLTAGE 12V TENV • 1.0 SERVICE FACTOR

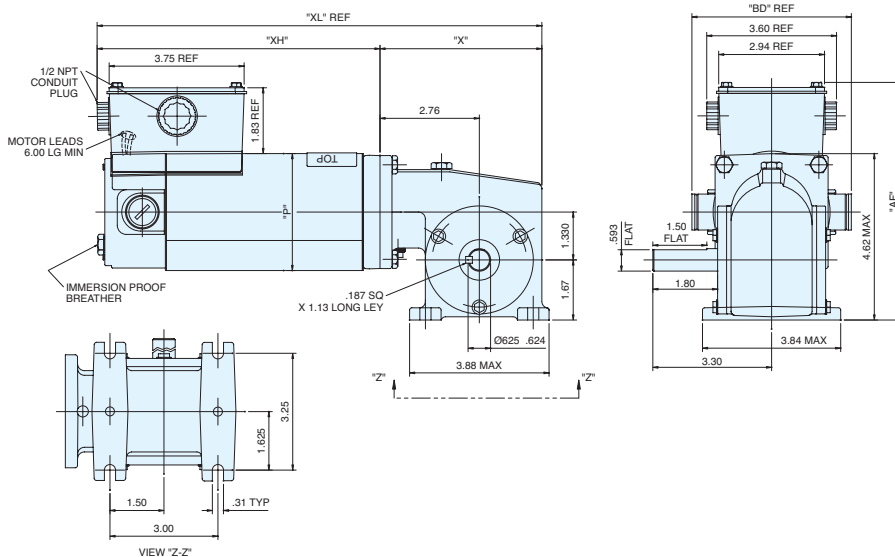
Output RPM	F.L. Torque (Lb.In.)	Input HP	Catalog Number	List Price▲	Gearmotor Type & Frame	Ratio to 1	Arm Volts DC	Full Load Amps DC	Over-hung Load (Lbs.)	DIMENSIONS				
										P	PB	X Inches	XL	XH
62	135	1/4	M1125280	\$653	13F40-32	40	12	28	235	3.25	4.43	4.50	12.36	7.86
125	90	1/4	M1125281	653	13F20-32	20	12	28	235	3.25	4.43	4.50	12.36	7.86

▲ Use "S" discount symbol.



White Duck

13 SERIES - DC





SUB-FHP AC GEARMOTORS

PARALLEL SHAFT GEARMOTORS

12-100 In-Lbs Output Torque

Design Specifications:

Single phase gearmotors, totally enclosed for continuous duty, general purpose applications.

Permanent split capacitor designs are rated for 115 VAC 60 hertz input, and have starting torques equal to the running torques. The inline gearing is of precision machined steel, with first stage steel helical gear followed by spur type gears. Lubrication is by semi-fluid grease, reducing possibility of leakage and providing permanent lubrication. Output shafts have needle bearings for high load capacities. Shafts are hardened steel.

Application Notes:

These gearmotors are designed for mounting at any angle, but shaft up with motor below should be avoided to prevent leakage of lubricant into the motor should the motor's shaft seal fail. If these gearmotors are stalled, gearhead damage may result, especially in the ratios of 60:1 and higher. Provisions to limit the torque are recommended. The torque values listed are the recommended full load torque values for reasonable gear life.

Overhung load capacities shown are at center of output shaft. All PZ Series gearmotors are supplied with continuous duty "run" capacitor. **Conduit box not supplied with motor.** See page 107 for optional conduit box.

Model PZ gearmotors have the same mounting dimensions as Bodine model D and Z gearmotors, Bison 100 gearmotors, and Baldor/Boehm PSS, plus many of the Dayton gearmotors.

For additional information, see Bulletin 1830.



PZ SERIES AC GEARMOTORS

PARALLEL SHAFT • TEFC • 115V • SINGLE PHASE

40°C AMBIENT • 1.0 SERVICE FACTOR

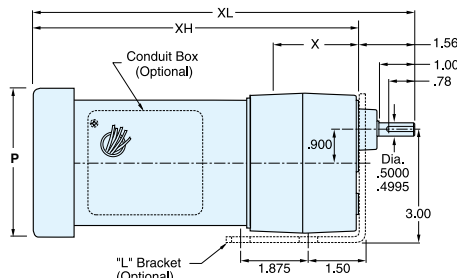
Output RPM	F.L. Torque (Lb.In.)	Input HP	Catalog Number	List Price▲	Gearmotor Type & Frame	Ratio to 1	F.L. Amps 115 VAC	Over-hung Load (Lb.)	DIMENSIONS				Capacitor Mfd. 240 VAC
									P	X	XL	XH	
2	100	1/150	M1125050#	\$413	PZ5-31	900	0.4	155	3.07	3.23	8.71	7.15	3.0
9	100	1/15	M1125127	413	PZ4-31	180	0.9	155	3.88	3.23	10.42	8.86	10.0
19	100	1/15	M1125128	413	PZ4-31	90	0.9	155	3.88	3.23	10.42	8.86	10.0
28	100	1/15	M1125129	413	PZ3-31	60	0.9	155	3.88	2.43	9.62	8.06	10.0
57	56	1/15	M1125130	397	PZ3-31	30	0.9	171	3.88	2.43	9.62	8.06	10.0
94	36	1/15	M1125131	397	PZ3-31	18	0.9	171	3.88	2.43	9.62	8.06	10.0
142	24	1/15	M1125132	384	PZ2-31	12	0.9	180	3.88	2.13	9.32	7.76	10.0
283	12	1/15	M1125133	384	PZ2-31	6	0.9	180	3.88	2.13	9.32	7.76	10.0

TENV enclosure
▲ Use "S" discount symbol.

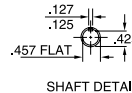
BODINE/BISON/DAYTON

DIRECT INTERCHANGE

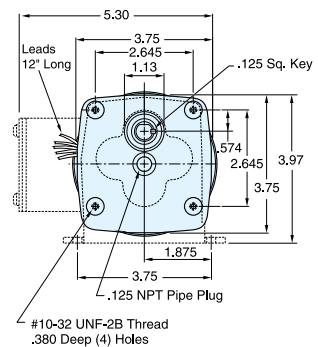
PZ SERIES - AC



ALL DIMENSIONS IN INCHES



SHAFT DETAIL



QUICK REFERENCE

GEARMOTOR CROSS REFERENCE Page 163
"L" BRACKET AND CONDUIT BOX 107

SUB-FHP AC GEARMOTORS

PARALLEL SHAFT GEARMOTORS



43-391 In-Lbs Output Torque



Design Specifications:

Single phase gearmotors, totally enclosed for continuous duty, general purpose applications. Permanent split capacitor designs are rated for 115/230VAC, 60/50 Hertz input, and have starting torques equal to the running torques. The in-line gearing is of precision machined steel, with first stage steel helical gear followed by spur type gears. Lubrication is by semi-fluid grease, reducing possibility of leakage and providing permanent lubrication. Output shafts have needle bearings for high load capacities. Shafts are hardened steel.

Application Notes:

These gearmotors are designed for mounting at any angle, but shaft up with motor below should be avoided to prevent leakage of lubricant into the motor should the motor's shaft seal fail. If these gearmotors are stalled, gearhead damage may result, especially in the ratios of 60:1 and higher. Provisions to limit the torque are recommended. The torque values listed are the recommended full load torque values for reasonable gear life. Overhung load capacities shown are at center of output shaft. All P240 gearmotors are supplied with continuous duty "run" capacitor. **Conduit box not supplied with motor.** See page 107 for optional conduit box.

Model P240 gearmotors have the same mounting dimensions as Bison's 224 and 242 gearmotors and many Dayton gearmotors.

For additional information, see Bulletin 1830.

Please contact LEESON for output speeds not listed.

P240 SERIES AC GEARMOTORS

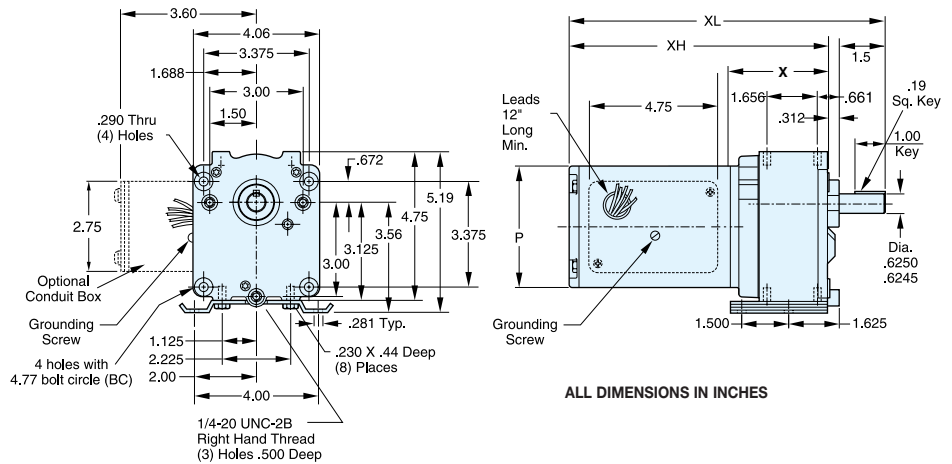
PARALLEL SHAFT • TOTALLY ENCLOSED • 115/230V SINGLE PHASE • 40°C AMBIENT • 1.0 SERVICE FACTOR

60 Hz Output RPM	F.L. Torque (Lb.in.)	Input HP	Catalog Number	List Price▲	Gearmotor Type & Frame	Ratio to 1	F.L. Amps 115V AC	Overhung Load (Lb.)	DIMENSIONS				Capacitor Mfd. 240 VAC
									P	X	XL	XH	
8	345	1/15	M1145029	\$617	P243-38D	216	1.0	491	3.85	3.50	10.46	8.96	7.5
15	250	1/15	M1145023	617	P243-38D	114	1.0	407	3.85	3.50	10.46	8.96	7.5
16	391	1/6	M1145030**	670	P243-38F	103	2.1	399	4.43	3.50	12.13	10.63	15.0
30	135	1/15	M1145024	561	P242-38D	52	1.0	330	3.85	3.50	10.46	8.96	7.5
30	295	1/6	M1145031**	670	P243-38F	58	2.1	330	4.43	3.50	12.13	10.63	15.0
40	219	1/6	M1145032**	670	P243-38F	43	2.1	303	4.43	3.50	12.13	10.63	15.0
45	92	1/15	M1145025	561	P242-38D	35	1.0	292	3.85	3.50	10.46	8.96	7.5
60	157	1/6	M1145033**	614	P242-38D	29	2.1	268	4.43	3.50	12.13	10.63	15.0
70	61	1/15	M1145026	561	P242-38D	23	1.0	256	3.85	3.50	10.46	8.96	7.5
90	103	1/6	M1145034**	614	P242-38D	19	2.1	237	4.43	3.50	12.13	10.63	15.0
97	43	1/15	M1145027	561	P242-38D	16.5	1.0	232	3.85	3.50	10.46	8.96	7.5
139	30	1/15	M1145028	561	P242-38D	11.5	1.0	208	3.85	3.50	10.46	8.96	7.5
156	60	1/6	M1145035**	614	P242-38D	10.6	2.1	201	4.43	3.50	12.13	10.63	15.0

▲ Use "S" discount symbol.
 ** TEFC enclosure.

BISON/DAYTON DIRECT INTERCHANGE

P240 SERIES



25-341 In-Lbs Output Torque

Design Specifications:

Sub-FHP AC gearmotors. Totally enclosed for continuous duty, general purpose applications. All rated for 60/50 Hz operation except hi-torque single-phase which are 60 Hz only.



Gearbox has rugged aluminum die cast housing, for maximum gear and bearing support. Precision machined gearing, hardened for maximum load capability. All gearing designed and rated to AGMA Class 9 standards and to withstand momentary shock overload of 200%. Oversized output bearings for greater overhung load capacity and longer life. High-carbon alloy output shaft provides maximum strength and rigidity. All needle bearing journals are precision-ground after heat treating, to provide maximum finish and fit. Single lip, spring loaded, heavy-duty industrial oil seals help keep lubricant in and dirt out. Gears and bearings are splash lubricated with permanent, heavy-duty gear oil.

Application Notes:

These gearmotors are designed for mounting at any angle, but shaft-up with motor below gearhead is not recommended.

Run capacitor supplied with gearmotor at no additional cost. **Three phase and hi-torque single-phase models include conduit box, other single-phase models do not.** See page 107 for optional conduit box.

Overhung load capacities shown are at center of output shaft.

Model PE350 gearmotors have the same mounting dimensions as Bodine's "E" box and many Baldor/Boehm gearmotors.

**BODINE
DIRECT
INTERCHANGE**

PE350 SERIES AC GEARMOTORS

SINGLE PHASE • PARALLEL SHAFT • TEFC • 115/230V

60 Hz Output RPM	F.L. Torque (Lb.In.)	Input HP	Catalog Number	List Price▲	Type & Frame	Ratio to 1	F.L. Amps 115V AC	Overhung Load Lbs.	DIMENSIONS XL Inches	XH Inches	Capacitor Mfd. 240VAC
5	310	1/12	096000#	\$587	PE353-42	336	1.3	565	11.36	9.36	10.0
9	341	1/12	096001#	587	PE353-42	180	1.3	491	11.36	9.36	10.0
14	330	1/12	096002#	587	PE353-42	124	1.3	459	11.36	9.36	10.0
19	250	1/12	096003#	587	PE353-42	91	1.3	374	11.36	9.36	10.0
29	270	1/6	096004	617	PE353-42	58	3.2	327	13.32	11.32	15.0
34	250	1/6	096005	617	PE353-42	50	3.2	330	13.32	11.32	15.0
40	180	1/6	096006	617	PE353-42	43	3.2	303	13.32	11.32	15.0
59	135	1/6	096007	582	PE352-42	29	3.2	267	13.32	11.32	15.0
75	90	1/6	096008	582	PE352-42	23	3.2	256	13.32	11.32	15.0
113	68	1/6	096009	582	PE352-42	15	3.2	222	13.32	11.32	15.0
160	45	1/6	096010	582	PE352-42	10	3.2	196	13.32	11.32	15.0
340	25	1/6	096011	582	PE352-42	5	3.2	190	13.32	11.32	15.0

Hi-Torque Single Phase PE350 Gearmotors With Capacitor Start Motors

58	320	1/3	096049	682	PE353-42	30	7.2	300	14.56	12.56	...
85	218	1/3	096050	641	PE353-42	20	7.2	300	14.56	12.56	...
173	109	1/3	096051	641	PE353-42	10	7.2	300	14.56	12.56	...
345	55	1/3	096052	641	PE353-42	5	7.2	300	14.56	12.56	...

TENV enclosure

▲ Use "S" discount symbol.

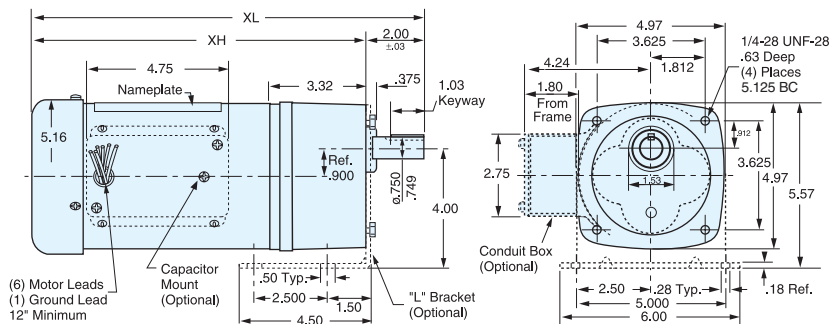
PE350 SERIES AC GEARMOTORS

THREE PHASE • PARALLEL SHAFT • TEFC • 230/460V

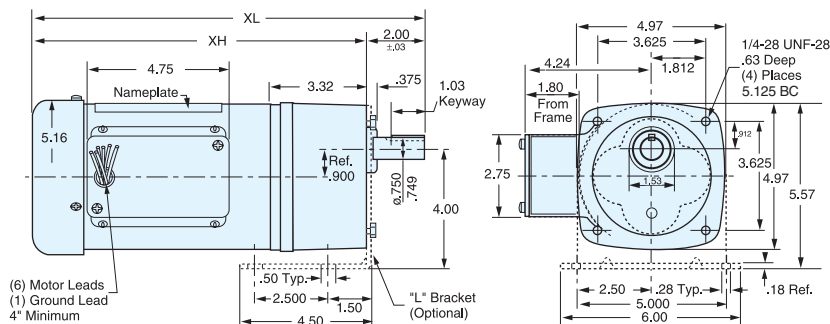
Output RPM	F.L. Torque (Lb.In.)	Input HP	Catalog Number	List Price▲	Type & Frame	Ratio to 1	F.L. Amps 230V AC	Overhung Load Lbs.	DIMENSIONS XL Inches	XH Inches
58	320	1/3	096013	\$677	PE353-42	30	1.6	300	13.81	11.81
85	218	1/3	096014	636	PE352-42	20	1.6	300	13.81	11.81
173	109	1/3	096015	636	PE352-42	10	1.6	300	13.81	11.81
345	55	1/3	096016	636	PE352-42	5	1.6	300	13.81	11.81

▲ Use "S" discount symbol.

PE350 SINGLE PHASE



PE350 THREE PHASE



ALL DIMENSIONS IN INCHES

**70-1105 In-Lbs
Output Torque**

Design Specifications:

Fractional horsepower AC gearmotors. Totally enclosed for continuous duty, general purpose applications. Rated for 60 Hz input.



Gearbox has rugged aluminum die cast housing, for maximum gear and bearing support. Precision machined gearing, hardened for maximum load capability. All gearing designed and rated to AGMA Class 9 standards and to withstand momentary shock overload of 200%. Oversized output bearings for greater overhung load capacity and longer life. High-carbon alloy output shaft provides maximum strength and rigidity. All needle bearing journals are precision-ground after heat treating, to provide maximum finish and fit. Heavy-duty industrial oil seals help keep lubricant in and dirt out. Gears and bearings are splash lubricated with permanent, heavy-duty gear oil.

Application Notes:

These gearmotors are designed for mounting at any angle, but shaft-up with motor below gearhead is not recommended. P1100 AC gearmotors have the same mounting dimensions as Bison 482 gearmotors and many Dayton gearmotors. Three phase units suitable for inverter duty.

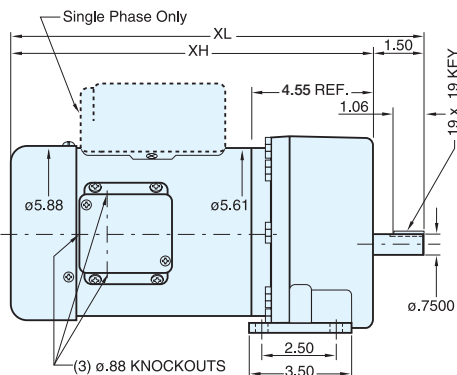
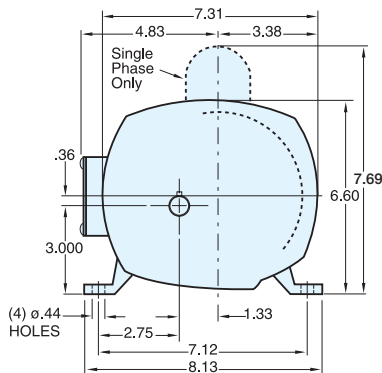
Both single and three phase models include conduit box. For additional information, see Bulletin 1830.

P1100 SERIES AC GEARMOTORS
SINGLE PHASE • FRACTIONAL HP • TEFC • 115/230V

Output RPM	F.L. Torque (Lb.In.)	Input HP	Catalog Number	List Price▲	Type & Frame	Ratio to 1	F.L. Amps 115V AC	Overhung Load Lbs.	DIMENSIONS XL XH Inches	
8	975	1/4	107000	\$827	P1103-48	212	5.4	700	13.42	11.92
12	1030	1/4	107004	827	P1103-48	143	5.4	700	13.42	11.92
18	800	1/4	107003	827	P1103-48	95	5.4	700	13.42	11.92
26	569	1/4	107002	827	P1103-48	66	5.4	650	13.42	11.92
59	248	1/4	107005	810	P1102-48	29	5.4	625	13.42	11.92
133	114	1/4	107001	810	P1102-48	13	5.4	525	13.42	11.92
18	1089	1/3	107006	837	P1103-48	95	6.2	700	13.67	13.17
26	752	1/3	107012	837	P1103-48	66	6.2	650	13.67	13.17
41	461	1/3	107011	820	P1102-48	42	6.2	650	13.67	13.17
59	330	1/3	107010	820	P1102-48	29	6.2	625	13.67	13.17
91	224	1/3	107009	820	P1102-48	19	6.2	575	13.67	13.17
157	125	1/3	107008	820	P1102-48	11	6.2	500	13.67	13.17
288	70	1/3	107007	820	P1102-48	6	6.2	400	13.67	13.17
22	1105	1/2	107013	912	P1103-48	79	8.8	700	14.17	12.67
41	700	1/2	107017	894	P1102-48	42	8.8	650	14.17	12.67
59	496	1/2	107016	894	P1102-48	29	8.8	625	14.17	12.67
91	336	1/2	107015	894	P1102-48	19	8.8	575	14.17	12.67
133	229	1/2	107014	894	P1102-48	13	8.8	525	14.17	12.67

Gearmotors

**BISON/DAYTON
DIRECT INTERCHANGE**



ALL DIMENSIONS IN INCHES

P1100 SERIES AC GEARMOTORS
THREE PHASE • FRACTIONAL HP • TEFC • 230/460V

Output RPM	F.L. Torque (Lb.In.)	Input HP	Catalog Number	List Price▲	Type & Frame	Ratio to 1	F.L. Amps 230V AC	Overhung Load Lbs.	DIMENSIONS XL XH Inches	
18	1089	1/3	107025	\$891	P1103-48	95	1.6	700	12.92	11.42
26	752	1/3	107026	891	P1103-48	66	1.6	650	12.92	11.42
41	461	1/3	107027	872	P1102-48	42	1.6	650	12.92	11.42
59	330	1/3	107028	872	P1102-48	29	1.6	625	12.92	11.42
91	224	1/3	107029	872	P1102-48	19	1.6	575	12.92	11.42
157	125	1/3	107030	872	P1102-48	11	1.6	500	12.92	11.42
288	70	1/3	107031	872	P1102-48	6	1.6	400	12.92	11.42
22	1105	1/2	107032	939	P1103-48	79	2.0	700	13.42	11.92
41	700	1/2	107033	925	P1102-48	42	2.0	650	13.42	11.92
59	496	1/2	107034	925	P1102-48	29	2.0	625	13.42	11.92
91	336	1/2	107035	925	P1102-48	19	2.0	575	13.42	11.92
133	229	1/2	107036	925	P1102-48	13	2.0	500	13.42	11.92
288	100	1/2	107037	925	P1102-48	6	2.0	400	13.42	11.92

▲ Use "S" discount symbol.

QUICK REFERENCE

GEARMOTOR CROSS REFERENCE Page 163
"L" BRACKET AND CONDUIT BOX 107

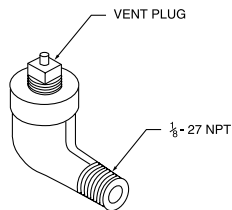
14-113 In-Lbs Output Torque

Design Specifications:

Single phase gearmotors, totally enclosed for continuous duty, general purpose applications. Permanent split capacitor motors rated 115/230 VAC 60/50 hertz input, and have starting torque equal to the running torque. This worm-type right-angle gearing features hardened, steel worm with bronze worm wheel for long life and quiet operation. Precision machined aluminum housings are used. Gearbox has all ball bearings. The housing is sealed and lubrication is permanent with an oil bath. The output shaft is field interchangeable from left hand style to right hand style.

Application Notes:

For optimum seal life, these right angle gearmotors have a lubrication breather positioned for horizontal mounting. For other mountings, the breather-plug must be reoriented by using a 90° NPT taper pipe elbow (see drawing). However, the motor portion of the gearmotor should never be mounted below the gearhead. Overhung load capacities shown are at center of output shaft. These motors are supplied with continuous duty "run" capacity. **Conduit box not supplied with motor.** See page 107 for optional conduit box and base kit.



Please contact LEESON for output speeds not listed. For additional information, see Bulletin 1830.

BODINE/DAYTON
DIRECT INTERCHANGE

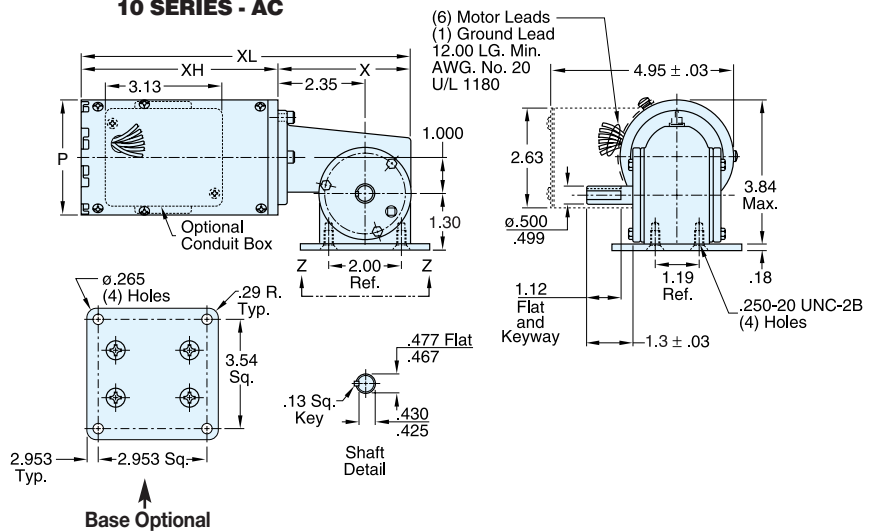
RIGHT-ANGLE AC GEARMOTORS

TOTALLY ENCLOSED • 115/230 V • SINGLE PHASE

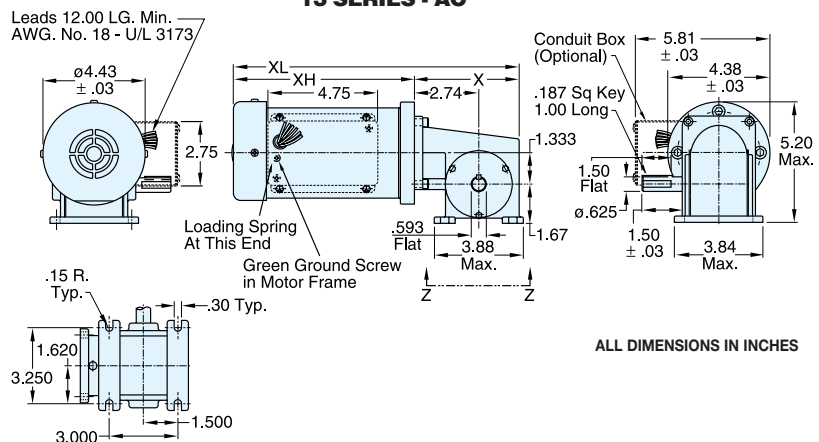
60 Hz Output RPM	F.L. Torque (Lb.In.)	Input HP	Catalog Number	List Price▲	Gearmotor Type & Frame	Ratio to 1	F.L. Amps 115V AC	Overhung Load (Lb.)	DIMENSIONS				Capacitor Mfd.
									P Dia.	X Inches	XL Inches	XH Inches	
28	37	1/15	M1125080	\$508	10F60-31C	60	0.9	185	3.07	3.63	8.94	5.31	10.0+
43	34	1/15	M1125081	508	10F40-31C	40	0.9	185	3.07	3.63	8.94	5.31	10.0+
58	40	1/15	M1125082	508	10F30-31C	30	0.9	185	3.07	3.63	8.94	5.31	10.0+
85	24	1/15	M1125083	508	10F20-31C	20	0.9	185	3.07	3.63	8.94	5.31	10.0+
173	14	1/15	M1125084	508	10F10-31C	10	0.9	185	3.07	3.63	8.94	5.31	10.0+
29	110	1/6	M1145037**	689	13F60-38F	60	2.0	235	3.85	4.50	12.31	7.81	15.0*
43	113	1/6	M1145038**	689	13F40-38F	40	2.0	235	3.85	4.50	12.31	7.81	15.0*
57	95	1/6	M1145082**	689	13F30-38F	30	2.0	235	3.85	4.50	12.31	7.81	15.0*
83	75	1/6	M1145039**	689	13F20-38F	20	2.0	235	3.85	4.50	12.31	7.81	15.0*
170	43	1/6	M1145040**	689	13F10-38F	10	2.0	235	3.85	4.50	12.31	7.81	15.0*
340	23	1/6	M1145041**	689	13F05-38F	5	2.0	235	3.85	4.50	12.31	7.81	15.0*

▲ Use "S" discount symbol.
 ** TEFC enclosure.
 + 250 VAC
 * 300 VAC

10 SERIES - AC



13 SERIES - AC



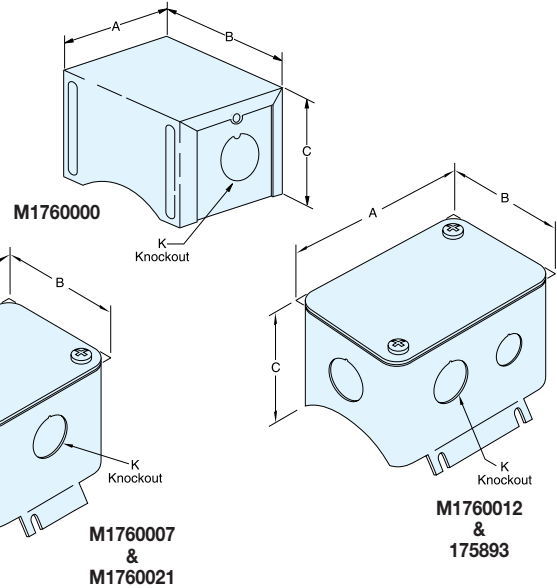


SUB-FHP GEARMOTOR CONDUIT BOXES

Optional steel conduit or junction boxes are available. The boxes are painted and mount in holes using screws provided with all stock gearmotors.

Catalog Number	For Motor Frames	DIMENSIONS (Inches)				List Price	Disc. Sym.
		A	B	C	K		
M1760000*	25	2.09	2.45	2.23	0.875	\$31	S
M1760021*	30/31	3.13	2.63	2.28	0.875	31	S
M1760007	34	3.13	2.63	2.28	0.875	31	S
M1760012	38	4.75	2.75	2.00	1.125	33	S
175893	42	4.75	2.75	2.00	1.125	33	S

Note: * For any gearmotor catalog number beginning with M1115XXX, must clarify from gearmotor type and frame columns as listed on catalog pages 92, 93 and 97. For example, if gearmotor type and frame lists P303-30E, then use 30 frame conduit box kit M1760021. If gearmotor type and frame lists 10F60-25, then use conduit box kit M1760000.

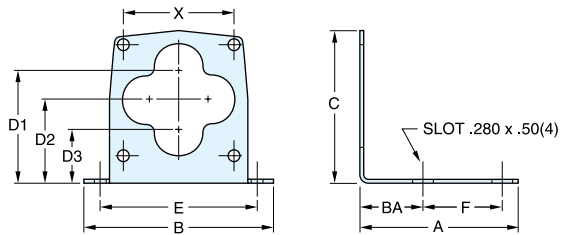


SUB-FHP GEARMOTOR "L" MOUNTING BRACKET

Optional "L" brackets can be used to mount parallel shaft type PZ or PE350 gearmotors. Of steel construction, they are painted and include screws for mounting to the motor, but not the application.

Catalog Number	For Motors	A	B	C	DIMENSIONS (Inches)				List Price	Disc. Sym.			
					D ¹	D ²	D ³	X	BA	F	E		
M1760003*	PZ Gearmotors	3.75	4.50	3.935	3.00	2.25	1.50	2.645	1.50	1.875	3.75	\$41	S
M1760011**	PE350 Gearmotors	4.50	6.00	5.520	4.00	3.10	2.20	3.625	1.50	2.500	5.00	49	S
M1760029Δ	PE350 Gearmotors	4.50	6.00	5.520	4.00	3.10	2.20	3.625	1.50	2.500	5.00	51	S

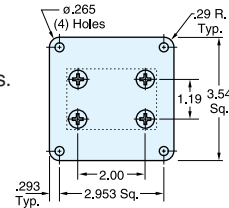
* Maximum radial load no greater than 50 lbs. This bracket can also be used on DC motors in the 34 frame having the style C mounting.
** Maximum radial load no greater than 200 lbs.
Δ Washguard PE350 L-Bracket



SUB-FHP GEARMOTOR RIGHT-ANGLE BASE KIT

This Optional Base Kit can be used with the 10 Series right-angle gearmotors. (Includes screws for mounting to gearbox, but not the application.)

Catalog Number	List Price	Disc. Sym.
M1760006	\$43	S



CAPACITORS FOR SUB-FHP RIGHT-ANGLE AC GEARMOTORS

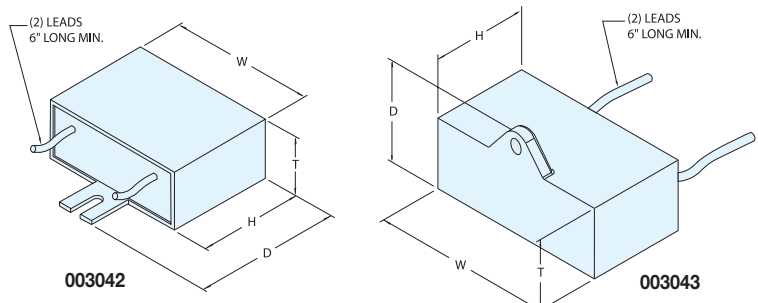
MFD Rating	Voltage Rating	Catalog Number	List Price	Disc. Sym.	DIMENSIONS (Inches)			
					W	H	T	D
10.0	250	003043.05	\$35	S	1.89	1.14	0.75	1.14
15.0	300	003042.05	40	S	2.28	1.61	1.14	2.48

CAPACITORS FOR SUB-FHP AC PZ SERIES GEARMOTORS

MFD Rating	Voltage Rating	Catalog Number	List Price	Disc. Sym.	DIMENSIONS (Inches)			
					W	H	T	D
3.0	250	003043.01	\$40	S	1.22	0.93	0.57	0.97
10.0	250	003043.05	35	S	1.89	1.14	0.75	1.14

CAPACITORS FOR SUB-FHP P240 & PE350 AC GEARMOTORS

Gearmotor Type	MFD Rating	Voltage Rating	Catalog Number	List Price	Disc. Sym.	DIMENSIONS (Inches)			
						W	H	T	D
P240	7.5	250	003042.02	\$40	S	1.89	1.14	0.75	2.01
PE350	10.0	250	003042.06	35	S	1.89	1.24	0.89	2.11
P240	15.0	300	003042.05	40	S	2.28	1.61	1.14	2.48
PE350	15.0	250	003042.04	45	S	2.28	1.46	0.93	2.33



Gearmotors



SUB-FHP AC GEARMOTORS
INVERTER RATED

Design Specifications:

Three phase motors totally enclosed for continuous duty, general purpose applications.

Standard on all these ratings is the exclusive Inverter Rated Insulation System (IRIS). This provides superior protection against voltage spikes induced by variable frequency drives.

Many superior mechanical features for both the motor and gearbox. Double shielded ball bearings in the motor. Needle bearings in the parallel shaft gearboxes and ball bearings in the Right angle (worm) gearboxes. Steel conduit box provided as Standard. Complete gearmotor furnished with high gloss hardened black enamel paint.

Application Notes:

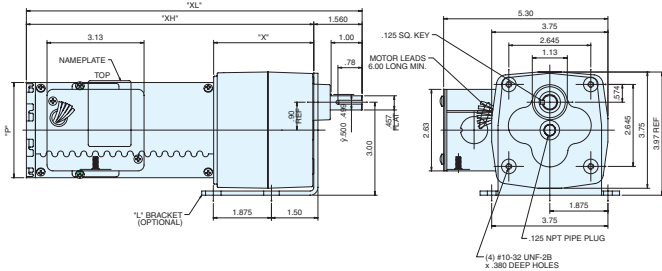
These motors are designed with high temp insulation (Class F) to avoid over heating when operated with a PWM inverter down to a 10:1 speed range from the printed gearmotor output RPM. Refer to pages 104 to 106 detailing non-horizontal mounting. The torque values listed are the recommended full load torque values for reasonable gear life. Overhung load capacities shown are at the center of the output shaft. See page 107 for optional "L" bracket kits for PZ and PE350 units. Please contact LEESON for output speeds not listed.



PZ SERIES AC GEARMOTORS
THREE PHASE • 230V • TENV

Output RPM	F.L. Torque (Lb.In.)	Input HP	Catalog Number	List Price▲	Gearmotor Type & Frame	Ratio to 1	F.L. Amps 230V AC	Overhung Load (Lb.)	DIMENSIONS			
									P	X	XL	XH
19	100	1/15	M1125282	\$413	PZ4-31	90	0.4	155	3.07	3.23	10.83	9.27
57	56	1/15	M1125283	397	PZ3-31	30	0.4	171	3.07	2.43	10.03	8.47
142	24	1/15	M1125284	384	PZ2-31	12	0.4	180	3.07	2.13	9.73	8.17
283	12	1/15	M1125285	384	PZ2-31	6	0.4	180	3.07	2.13	9.73	8.17

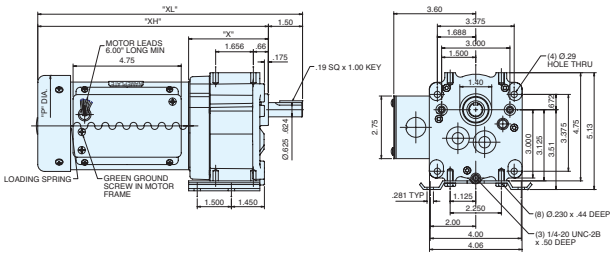
PZ SERIES - AZ



P240 SERIES AC GEARMOTORS
THREE PHASE • 230V • TEFC

Output RPM	F.L. Torque (Lb.In.)	Input HP	Catalog Number	List Price▲	Gearmotor Type & Frame	Ratio to 1	F.L. Amps 230V AC	Overhung Load (Lb.)	DIMENSIONS			
									P	X	XL	XH
16	391	1/6	M1145122	\$533	P243-38	103	0.72	399	4.43	3.50	11.63	10.13
30	295	1/6	M1145123	533	P243-38	58	0.72	330	4.43	3.50	11.63	10.13
60	157	1/6	M1145124	493	P242-38	29	0.72	268	4.43	3.50	11.63	10.13
90	103	1/6	M1145125	493	P242-38	19	0.72	330	4.43	3.50	11.63	10.13
156	60	1/6	M1145126	493	P242-38	10.6	0.72	330	4.43	3.50	11.63	10.13

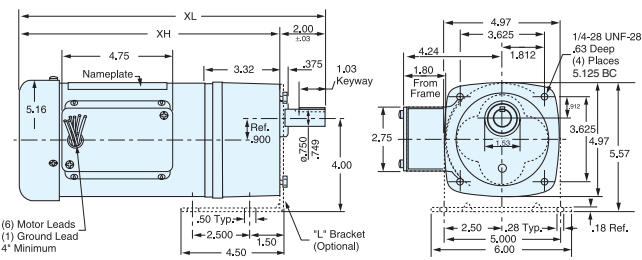
P240 SERIES - AC



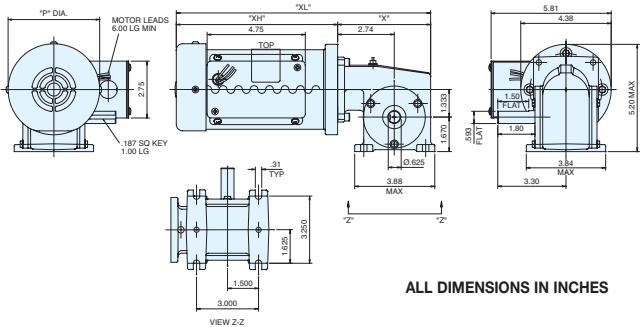
PE350 SERIES AC GEARMOTORS
THREE PHASE • 230/460V • TEFC

Output RPM	F.L. Torque (Lb.In.)	Input HP	Catalog Number	List Price▲	Gearmotor Type & Frame	Ratio to 1	F.L. Amps 230V AC	Overhung Load (Lb.)	DIMENSIONS			
									P	X	XL	XH
9	341	1/6	096065	\$539	PE353-42	180	1.0	491	5.16	3.32	12.57	10.57
29	300	1/4	096066	544	PE353-42	58	1.2	327	5.16	3.32	13.07	11.07
58	244	1/4	096067	544	PE353-42	30	1.2	300	5.16	3.32	13.07	11.07
85	165	1/4	096068	533	PE352-42	20	1.2	300	5.16	3.32	13.07	11.07
173	92	1/4	096069	533	PE352-42	10	1.2	300	5.16	3.32	13.07	11.07
345	50	1/4	096070	533	PE352-42	5	1.2	300	5.16	3.32	13.07	11.07

PE350 THREE PHASE



13 SERIES - AC



ALL DIMENSIONS IN INCHES

RIGHT ANGLE SERIES AC GEARMOTORS
THREE PHASE • 230V • TEFC

Output RPM	F.L. Torque (Lb.In.)	Input HP	Catalog Number	List Price▲	Gearmotor Type & Frame	Ratio to 1	F.L. Amps 230V AC	Overhung Load (Lb.)	DIMENSIONS			
									P	X	XL	XH
29	238	3/8	M1145127	\$653	13F60-38	60	1.3	235	4.43	4.50	12.31	7.81
43	228	3/8	M1145128	653	13F40-38	40	1.3	235	4.43	4.50	12.31	7.81
86	138	3/8	M1145129	653	13F20-38	20	1.3	235	4.43	4.50	12.31	7.81
172	105	3/8	M1145130	653	13F10-38	10	1.3	235	4.43	4.50	12.31	7.81
345	54	3/8	M1145131	653	13F05-38	5	1.3	235	4.43	4.50	12.31	7.81

▲ Use "S" discount symbol.

Gearmotors

Design Specifications:

Three phase motors totally enclosed for continuous duty, general purpose applications.

Standard on all these ratings is the exclusive Inverter Rated Insulation System (IRIS). This provides superior protection against voltage spikes induced by variable frequency drives.

Many superior mechanical features double shielded ball bearings, welded-on base, steel conduit box provided as standard, furnished with high gloss hardened black enamel paint.

Application Notes:

These motors are designed with high temp insulation (Class F) to avoid overheating when operated with a PWM inverter down to a 10:1 speed range from the motor's base speed.

230 VOLT • THREE PHASE
1.0 SERVICE FACTOR • TOTALLY ENCLOSED

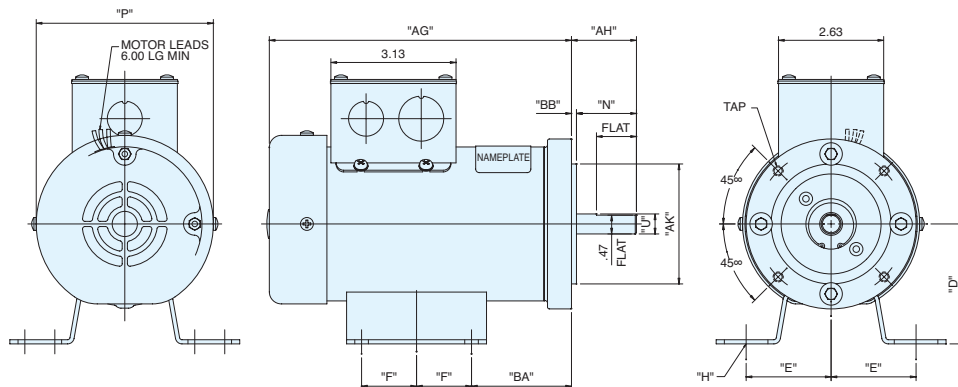
HP	RPM 60 Hz	Frame	Catalog Number	List Price	Disc. Sym.	Voltage	F.L. Amps 230V
1/15	1725	38	M1140171*	\$272	S	230	.4
1/6	1725	38	M1140173*	292	S	230	.72
1/4	1725	38	M1140172	315	S	230	1.1

* TENV enclosure

38 FRAME NEMA C-FACE WITH BASE DIMENSIONS

Catalog Number	AG	P	U	AH	BB	AJ	TAP	R	AK	BB	D	BA	E	F	H
M1140171	5.14	3.85	.5000	1.63	1.00	3.75	1/4-20	4.25	3.00	.13	3.0	2.50	2.125	1.375	11/32 Slot
M1140173	6.14	3.85	.5000	1.63	1.00	3.75	1/4-20	4.25	3.00	.13	3.0	2.50	2.125	1.375	11/32 Slot
M1140172	7.56	4.43	.5000	1.63	1.00	3.75	1/4-20	4.25	3.00	.13	3.0	2.50	2.125	1.375	11/32 Slot

AC 38 48C



ALL DIMENSIONS IN INCHES

Both motors only and gearmotors will have inverter rated printed on the nameplate.
UL and CSA recognition for both motors only and gearmotors



LEESON'S Inverter Rated Insulation System (IRIS™) provides superior protection against voltage spikes induced by variable frequency drives. This *total insulation system* protects better than spike-resistant magnet wire alone. Sleeved connections (from the leads all the way

into the turns), and deep-penetrating, non-hygroscopic, high temperature varnish are just a few features contributing to extra protection. All this plus second generation spike-resistant magnet wire. The IRIS™ *total insulation system* is standard at no extra cost.



AC ADJUSTABLE SPEED DRIVES

MICRO SERIES INVERTERS

MICRO SERIES INVERTER DRIVES

Full feature, ultra-friendly operation. Programs and reads-out in plain English.

- Intelligent Power Module-IGBT's with a 16 bit Intel microprocessor.
- User choice programming with:
 - ✓ Choice of "Quick Start" factory presets.
 - ✓ Built-In English programmable options via the key touch-pad.
- Output Frequency: 0-120 Hz.
- Overload Current Capacity: 150% for one minute, based on nominal output of the control.
- Speed reference signal. Choice of potentiometer, 0-10VDC or 4-20mA inputs.
- Analog output signal, 0-10VDC, speed or load.
- Two auxiliary contacts: One form C relay and two open collector output.
- Preset speeds: Four.
- Slip compensation.
- Adjustable carrier frequency.
- Adjustable acceleration and deceleration times.
- Forward/Reverse.
- DC braking-time and voltage adjustable.
- Password protected.
- Constant torque—with adjustable current limit.
- Rugged, heavy-gauge steel enclosures with barrier type terminal strips.
- Underwriters Laboratories Listed.
- Dynamic Braking is available as a kit for installation in the field (see page 112), or as a Modification (see page 136).
- Remote keypad is available as a kit for installation in the field (see page 112), or as a Modification (see page 136).

Effective July 1, 2006, the Micro Series inverters have PID software built in making them a closed-loop inverter if needed.

PDF file of Manual available at www.leeson.com



Dimension Table see page 113



NEMA 1

Speedmaster® Micro Series compact inverters offer "big drive" features for adapting standard or premium efficiency three phase motors to adjustable speed operation. Utilizing the latest micro-processor and advanced IGBT power conversion devices, these high performance controls program and read-out in plain English, eliminating the frustration and time involved in looking-up confusing coded symbols. Complete, rugged steel enclosures for NEMA 1 (IP31) or NEMA 4/12 (IP65) service do not require additional enclosure protection as with many plastic-housed compact drives. Built-in thermal overload protection reduces additional costs. Heavy duty wiring terminals accessible via three conduit openings on the bottom of the housing for power in/out and input/output signals speeds installation and reduces installation costs.

NEMA 1 (IP31) • THREE PHASE INPUT/OUTPUT

	HP	Output Amps	Input Voltage ⚡	Catalog Number	List Price	App. Wgt. (lbs.)	Disc. Sym.	Dimension Key
200-240 Volts	1/2	2.2	200-240	174914	\$867	6	A	B
	1	4.0	200-240	174915	911	6	A	C
	1 1/2	5.2	200-240	174916	954	6	A	C
	2	6.8	200-240	174917	1020	9	A	E
	3	9.6	200-240	174918	1097	9	A	E
	5	15.2	200-240	174919	1296	11	A	F
	7 1/2	25.0	200-240	174545	1872	13	A	M
	10	28.0	200-240	174551	2482	15	A	L
	15	42.0	200-240	174557	3275	19	A	N
	20	54.0	200-240	174560	4444	21	A	P
	25	68.0	200-240	174569	5382	38	A	T
	30	80.0	200-240	174571	6458	44	A	T
400-480 Volts	40	104.0	200-240	174576	9948	130	A	AE
	60	154.0	200-240	174578	14056	185	A	AF
	1	2.0	400-480	174920	1093	6	A	B
	2	3.4	400-480	174921	1199	7	A	D
	3	4.8	400-480	174922	1296	9	A	E
	5	7.6	400-480	174923	1457	9	A	E
	7 1/2	11.0	400-480	174924	1981	11	A	I
	10	14.0	400-480	174552	2690	13	A	M
	15	21.0	400-480	174558	3455	15	A	L
	20	27.0	400-480	174561	4585	17	A	N
	25	34.0	400-480	174563	5405	21	A	P
	30	40.0	400-480	174565	5886	21	A	P
	40	52.0	400-480	174567	6782	35	A	T
	50	65.0	400-480	174593	8268	44	A	W
	60	77.0	400-480	174572	9083	67	A	W
75	96.0	400-480	174580	11515	185	A	AG	
100	124.0	400-480	174582	14002	250	A	AH	
125	156.0	400-480	174584	15732	260	A	AH	
150	180.0	400-480	174586	21462	360	A	AL	
480-590 Volts	1	1.6	480-590	174925	1211	6	A	B
	2	2.7	480-590	174926	1339	7	A	D
	3	3.9	480-590	174927	1480	9	A	E
	5	6.1	480-590	174928	1613	9	A	F
	7 1/2	9.0	480-590	174929	1972	11	A	I
	10	11.0	480-590	174553	3006	13	A	R
	15	17.0	480-590	174559	3968	17	A	N
	20	22.0	480-590	174562	5040	19	A	O
	25	27.0	480-590	174564	5952	21	A	P
	30	32.0	480-590	174598	6510	22	A	S
	40	41.0	480-590	174599	7393	38	A	T
	50	52.0	480-590	174594	8969	45	A	W
60	62.0	480-590	174573	10033	51	A	W	

⚡ User programmable for 50Hz and other voltage inputs

NEMA 1 (IP31) • SINGLE PHASE INPUT 230V THREE PHASE OUTPUT

(Use with three phase 230V motor)

	HP	Output Amps 230 VAC	Input Voltage	Catalog Number	List Price	App. Wgt. (lbs.)	Disc. Sym.	Dimension Key
	1/4	1.4	115/230	174930	\$819	5	A	A
	1/2	2.2	115/230	174997	988	7	A	AC
	1	4.0	115/230	174931	996	7	A	D
	1 1/2	5.2	115/230	174932	1103	7	A	D
	2	6.8	200-230	174933	1052	9	A	E
	3	9.6	200-230	174934	1159	9	A	E

FOR INFORMATION ON REMOTE KEYPAD OPTION, SEE PAGE 112.

AC ADJUSTABLE SPEED DRIVES

MICRO SERIES INVERTERS



WASHGUARD NEMA 4/12 (IP65/IP54) EPOXY COATED

FOOD-SAFE epoxy finish. No external cooling fan required on NEMA 4 (IP65) drives. NEMA 12 drives have external cooling fan. Fully gasketed, water, oil and dust-tight enclosure. These Speedmaster® Micro Series drives have the same features as units shown on the previous page.



WASHGUARD NEMA 4/12

WASHGUARD NEMA 4X (IP65) STAINLESS STEEL

300-SERIES STAINLESS STEEL NEMA 4X enclosures are fully gasketed to withstand frequent washdown but must be protected from caustic agents. Paint-free stainless steel, no external fans, and anodized aluminum heat sinks provide superior heat transfer and greater structural integrity compared to plastic or fiberglass enclosures. These Speedmaster™ Micro Series drives have the same features as the NEMA 1 drives on the previous page.



WASHGUARD NEMA 4X

WASHGUARD NEMA 4/12 (IP65/IP54) THREE PHASE INPUT/OUTPUT

	HP	Output Amps	Input Voltage ⚡	Catalog Number	List Price	App. Wgt. (lbs.)	Disc. Sym.	Dimension Key
200-240 Volts	1/2	2.2	200-240	174935	\$1229	8	A	G
	1	4	200-240	174936	1334	8	A	G
	1 1/2	5.2	200-240	174482	1352	8	A	Y
	2	6.8	200-240	174937	1429	10	A	H
	3	9.6	200-240	174938	1546	11	A	J
	5	15.2	200-240	174730	1906	11	A	K
	7 1/2	22	200-240	174734	2644	27	A	Q
	10	28	200-240	174737	3336	32	A	U
	15	43	200-240	174740	4022	40	A	V
	20	54	200-240	174743*	5164	42	A	AA
	25	68	200-240	174595*	7076	53	A	Z
	30	80	200-240	174596*	7498	53	A	Z
400-480 Volts	1	2	400-480	174939	1504	8	A	G
	2	3.4	400-480	174940	1659	10	A	H
	3	4.8	400-480	174941	1777	10	A	H
	5	7.6	400-480	174942	1965	11	A	J
	7 1/2	11	400-480	174548	2490	11	A	K
	10	14	400-480	174554	3320	11	A	Q
	15	21	400-480	174749	4137	32	A	U
	20	27	400-480	174752	5305	36	A	V
	25	34	400-480	174755*	6124	42	A	AA
	30	40	400-480	174757*	6693	53	A	AA
	40	52	400-480	174513*	7742	54	A	Z
	50	65	400-480	174511*	8985	75	A	AB
60	77	400-480	174574*	10116	98	A	AB	
75	96	400-480	174581*	12488	200	A	AJ	
100	124	400-480	174583*	15083	300	A	AP	
125	156	400-480	174585*	17138	310	A	AO	
480-590 Volts	1	1.6	480-590	174943	1635	8	A	G
	2	2.7	480-590	174944	1825	10	A	H
	3	3.9	480-590	174945	1989	10	A	H
	5	6.1	480-590	174946	2142	11	A	J
	7 1/2	9	480-590	174549	2944	13	A	K
	10	11	480-590	174556	3861	17	A	Q
	15	17	480-590	174763	4664	38	A	U
	20	22	480-590	174766	5678	40	A	V
	25	27	480-590	174769*	6771	42	A	AA
	30	32	480-590	174597*	7431	53	A	AA
	40	41	480-590	174512*	8603	54	A	Z
	50	52	480-590	174510*	10044	75	A	AB
60	62	480-590	174575*	11235	98	A	AB	

⚡ User programmable for 50Hz and other voltage inputs
* Enclosures are NEMA 12 only – others are NEMA 4/12

WASHGUARD NEMA 4X (IP65) THREE PHASE INPUT/OUTPUT

	HP	Output Amps	Input Voltage ⚡	Catalog Number	List Price	App. Wgt. (lbs.)	Disc. Sym.	Dimension Key
200-240 Volts	1/2	2.2	200-240	174527	\$1443	8	A	G
	1	4	200-240	174528	1548	8	A	G
	1 1/2	5.2	200-240	174529	1620	8	A	Y
	2	6.8	200-240	174530	1718	10	A	H
	3	9.6	200-240	174531	1804	11	A	J
	5	15.2	200-240	174732	2512	11	A	K
	7 1/2	22	200-240	174735	3091	27	A	Q
	10	28	200-240	174738	3856	32	A	U
	15	43	200-240	174741	4712	40	A	V
	1	2	400-480	174532	1701	8	A	G
	2	3.4	400-480	174533	1927	10	A	H
	3	4.8	400-480	174534	2067	10	A	H
5	7.6	400-480	174535	2360	11	A	J	
7 1/2	11	400-480	174745	3200	11	A	K	
10	14	400-480	174747	3964	11	A	Q	
15	21	400-480	174750	4743	32	A	U	
20	27	400-480	174753	5854	36	A	V	
480-590 Volts	1	1.6	480-590	174536	1848	8	A	G
	2	2.7	480-590	174537	2063	10	A	H
	3	3.9	480-590	174538	2231	10	A	H
	5	6.1	480-590	174539	2525	11	A	J
	7 1/2	9	480-590	174759	3413	13	A	K
	10	11	480-590	174761	4381	17	A	Q
	15	17	480-590	174764	5262	38	A	U
	20	22	480-590	174767	6362	40	A	V

⚡ User programmable for 50Hz and other voltage inputs

WASHGUARD NEMA 4X (IP65) STAINLESS STEEL • SINGLE PHASE INPUT • 230V THREE PHASE OUTPUT (Use with three phase 230V motor)

HP	Output Amps	Input Voltage ⚡	Catalog Number	List Price	App. Wgt. (lbs.)	Disc. Sym.	Dimension Key
1/4	1.4	115/230	174519	\$1411	8	A	AD
1/2	2.2	115/230	174520	1569	8	A	X
1	4	115/230	174521	1682	11	A	H
1 1/2	5.2	115/230	174517	2067	11	A	H
2	6.8	208-230	174525	1769	11	A	H
3	9.6	208-230	174526	1854	12	A	J

WASHGUARD NEMA 4 (IP65) EPOXY COATED • SINGLE PHASE INPUT • 230V THREE PHASE OUTPUT (Use with three phase 230V motor)

HP	Output Amps	Input Voltage ⚡	Catalog Number	List Price	App. Wgt. (lbs.)	Disc. Sym.	Dimension Key
1/4	1.4	115/230	174996	\$1142	8	A	AD
1/2	2.2	115/230	174998	1248	8	A	X
1	4	115/230	174999	1365	11	A	H
1 1/2	5.2	115/230	174515	1605	11	A	H
2	6.8	208-230	174475	1453	11	A	H
3	9.6	208-230	174729	1539	12	A	J

PDF file of Manual available at www.leeson.com



AC ADJUSTABLE SPEED DRIVES

MICRO SERIES INVERTERS

DYNAMIC BRAKING COMPONENTS FOR THE MICRO SERIES DRIVES

Micro Series Drives can be modified to include dynamic braking. The modifications involve replacing board(s) inside of the drive as well as adding a Dynamic Braking Resistor in a separate enclosure. Larger drives require a combination of Dynamic Braking Board and an additional Form C Relay Board. Instructions are included with the boards. Also available as a modification, see Mod Squad section, see page 136.

DYNAMIC BRAKING BOARDS*

Drive HP	Drive Voltage Rating	Catalog Number	List Price	Disc. Sym	App. Wgt.(lbs.)
1/2-3	All	174184	\$340	A	2
5	200-230V	174185	370	A	2
5	460-480V	174185	370	A	2
5	550-575V	174184	340	A	2

* Dynamic braking Resistors are required with the Dynamic Braking Boards.

DYNAMIC BRAKING BOARDS WITH FORM C RELAY BOARD*

Drive HP	Drive Voltage Rating	Catalog Number	List Price	Disc. Sym	App. Wgt.(lbs.)
7 1/2	200-230V	174192	\$328	A	2
7 1/2	460-480V	174193	328	A	2
7 1/2	550-575V	174193	328	A	2
10 - 60	All	174192	328	A	2

* Dynamic braking Resistors are required with the Dynamic Braking Boards.

DYNAMIC BRAKING RESISTORS**

Drive HP	Drive Voltage Rating	Catalog Number	List Price	Disc. Sym	App. Wgt.(lbs.)
1/2	200-230V	174178	\$150	A	1
1	200-230V	174179	150	A	1
	460-480V	174179	150	A	1
	550-575V	174178	150	A	1
1 1/2	200-230V	174179	150	A	1
	200-230V	174180	150	A	1
	460-480V	174180	150	A	1
2	460-480V	174180	150	A	1
	550-575V	174179	150	A	1
	550-575V	174181	150	A	1
3	200-230V	174182	212	A	1
	460-480V	174182	212	A	1
	550-575V	174181	212	A	1
5	200-230V	174183	212	A	1
	460-480V	174183	212	A	1
	550-575V	174182	212	A	1
7 1/2	200-230V	174143	246	A	1
	460-480V	174143	246	A	1
	550-575V	174148	246	A	1
10	200-230V	174143	246	A	1
	460-480V	174143	246	A	1
	550-575V	174148	246	A	1
15-20	200-230V	174144	374	A	1
	460-480V	174144	374	A	1
	550-575V	174149	374	A	1
25-30	200-230V	174145	631	A	1
	460-480V	174145	631	A	1
	550-575V	174140	631	A	1
40	460-480V	174146	823	A	1
	550-575V	174141	823	A	1
	550-575V	174147	952	A	1
50-60	460-480V	174147	952	A	1
	550-575V	174142	952	A	1

** Dynamic braking Resistors are provided with mounting brackets.

REMOTE KEYPADS & CABLES FOR MICRO SERIES DRIVES*

Cable and Keypad are purchased separately. Installing the Remote keypad and Cable involves partially dis-assembling the drive. Instructions are included with the keypad. Also available as a Modification, see Mod Squad section.



Item	Catalog Number	List Price	Disc. Sym	App. Wgt.(lbs.)
Keypad	174177	\$197	A	2
2.5 ft. Cable	174174	58	A	2
5 ft. Cable	174175	83	A	2
10 ft. Cable	174176	134	A	2

* Compatible with any Micro Series drive.

NOTE: Using the remote keypad on a WASHGUARD Duty Inverter is not recommended, for the control will no longer meet NEMA 4/12 sealing requirements.

TECHLINK PROGRAMMING AND MONITORING SOFTWARE

TechLink Software is a powerful Drive Configuration tool that works in a Microsoft Windows environment. TechLink supports the following drives sold by LEESON: Micro Series, SM Plus Series and SM Vector Series.

TechLink allows a drive program to be created off line and to access the drive directly while connected over RS232 or RS485 (depending on the drive). RS485 supports several drives on one drive network but will require an RS232 to RS485 converter for most personal computers.

First time users visit LEESON's website, under "Links and Downloads" to download TechLink Software.

LEESON frequently updates Techlink software and the Models files to keep current with our expanding product offering and upgrades to our existing lines. If you have Techlink software installed on your computer and would like to check to see if you have the most current version of the TechLink program or the Models data, check the versions on the opening TechLink screen to the versions below. You will only need to download the program that has been updated. Each program below is a self extracting zip file; after expanding, run setup.exe to install.

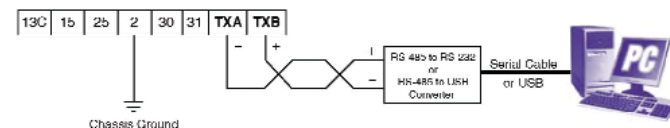
The diagrams below illustrate how to connect the LEESON Micro Series, SM Plus and SM Vector Series drives to a computer in order to use the TechLink software.

Note 1: When using serial communications, terminal 2 on the drive MUST be connected to chassis ground.

SM Plus & SM Vector Series

The SM Plus and SM Vector Series drives are RS-485, so a RS-232 to RS-485 or USB to RS-485 converter is required. The converter connects to the computer using a standard serial connection. A twisted pair connects the converter to the drive.

SM Plus & SM Vector Series Control Strip

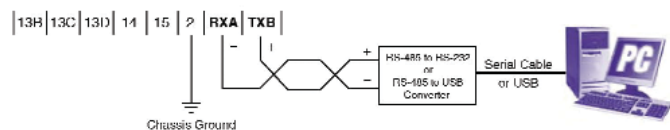


Note 2: Refer to the converter manufacturer's instructions for proper converter configuration. The converter is not supplied by LEESON.

Micro Series

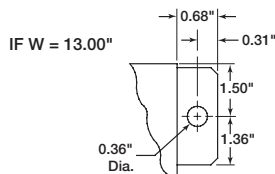
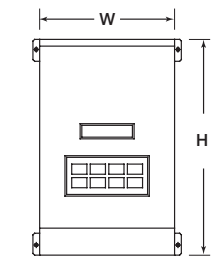
The Micro Series is RS-485, so a RS-232 to RS-485 or USB to RS-485 converter is required. The converter connects to the computer using a standard serial or USB connection. A twisted pair connects the converter to the drive.

Micro Series Control Strip

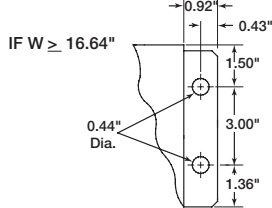
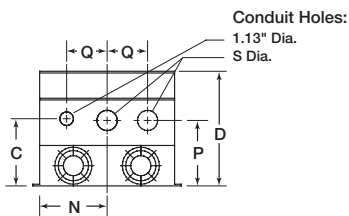


Note: 3 Refer to the converter manufacturer's instructions for proper converter configuration. The converter is not supplied by LEESON.

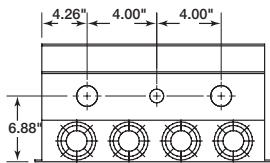
TYPE 1 DIMENSIONS FOR MODELS RATED ABOVE 30 HP AT 240/200 VAC & 60 HP AT 590/480/400 VAC



Mounting Tab Detail

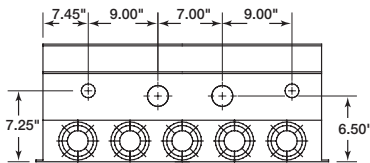


CONDUIT HOLES FOR 174578.00



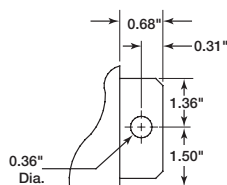
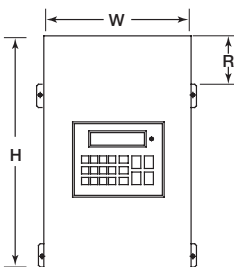
Conduit Holes: Large holes = 1.75\"
Small hole = 1.13\"

CONDUIT HOLES FOR 174586.00

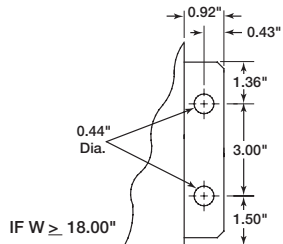
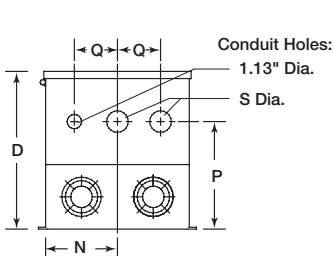


Conduit Holes: Large holes = 3.00\"
Small holes = 1.13\"

TYPE 12 DIMENSIONS FOR MODELS RATED ABOVE 30 HP AT 240/200 VAC AND 60 HP AT 400/480 VAC



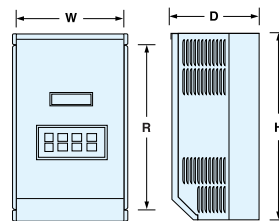
Mounting Tab Detail



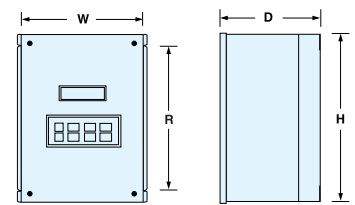
MICRO SERIES INVERTER DIMS. (Inches) • NEMA 1, NEMA 4/12 & NEMA 4X

Dimension Key	H	W	D	N	P	Q	R	S		
A	7.50	4.70	3.33	2.35	1.60	1.37	5.50	0.88		
B	7.50	4.70	3.63	2.35	1.90	1.37	5.50	0.88		
C	7.50	4.70	4.33	2.35	2.60	1.37	5.50	0.88		
D	7.50	6.12	4.22	3.77	2.40	1.37	5.50	0.88		
E	7.50	6.12	5.12	3.77	3.30	1.37	5.50	0.88		
F	7.88	7.86	5.94	5.13	3.95	1.50	5.88	1.13		
G	7.88	6.12	4.35	3.06	2.70	1.37	5.88	0.88		
H	7.88	7.86	4.90	4.80	3.25	1.37	5.88	0.88		
I	9.38	7.86	6.25	5.13	3.95	1.50	7.38	1.13		
J	7.88	7.86	5.90	4.80	4.25	1.37	5.88	0.88		
K	9.75	10.26	7.20	5.13	5.25	2.00	7.75	1.13		
L	11.25	7.86	6.84	3.93	4.19	2.00	7.75	1.38		
M	9.38	7.86	6.84	3.93	4.19	2.00	5.88	1.13		
N	12.75	7.86	6.84	3.93	4.19	2.00	9.25	1.38		
O	12.75	7.86	7.40	3.93	4.19	2.00	9.25	1.38		
P	12.75	10.26	7.74	5.13	5.00	2.50	9.25	1.38		
Q	11.75	10.26	8.35	5.13	5.75	2.00	9.75	1.13		
R	9.38	7.86	7.40	3.93	4.19	2.00	5.88	1.13		
S	12.75	10.26	8.25	5.13	5.00	2.50	9.25	1.38		
T	15.75	10.26	8.35	5.13	5.75	2.50	12.25	1.38		
U	13.75	10.26	8.35	5.13	5.75	2.00	11.75	1.38		
V	15.75	10.26	8.35	5.13	5.75	2.00	13.75	1.38		
W	19.75	10.26	8.55	5.13	5.75	2.50	16.25	1.75		
X	7.88	7.86	3.75	4.80	2.10	1.37	5.88	0.88		
Y	7.88	6.12	5.25	3.06	3.60	1.37	5.88	0.88		
Z	20.25	10.26	8.35	5.13	5.75	2.00	16.25	1.38		
AA	15.75	10.26	8.35	5.13	5.75	2.00	11.75	1.38		
AB	21.00	13.72	8.35	5.13	6.10	2.00	16.25	1.38		
AC	7.50	6.12	3.63	3.77	1.80	1.37	5.50	0.88		
AD	7.88	6.12	3.63	3.06	2.00	1.37	5.88	0.88		
AE	25.00	13.00	10.50	5.56	6.50	2.62	-	1.38		
AF	47.00	16.64	11.85	SEE CHART					-	-
AG	29.00	16.64	11.85	7.14	6.88	3.12	-	1.75		
AH	29.00	24.42	11.85	11.12	6.50	4.50	-	2.50		
AI	29.00	36.66	11.85	11.50	9.00	4.50	-	2.50		
AJ	37.00	18.00	13.30	7.50	8.00	3.13	7.14	1.75		
AK	39.00	26.00	13.30	11.50	9.00	4.50	9.14	2.50		
AL	29.00	36.66	11.85	SEE CHART					-	-
AM	31.00	14.00	11.86	6.00	7.50	2.62	5.64	1.38		
AN	49.00	18.00	13.30	7.50	8.00	3.13	7.14	1.75		
AO	39.00	26.00	13.30	11.50	9.00	4.50	9.14	2.50		

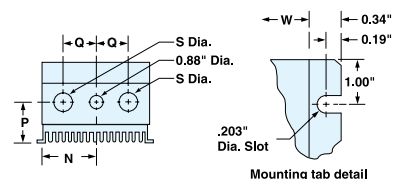
NEMA 1 ONLY



NEMA 4/12 WASHGUARD ONLY



NEMA 1 & NEMA 4/12



SM PLUS SUB-MICRO INVERTER DRIVES

BIG performance from an ultra-compact design. Provides 18 isolated I/O terminals plus RS485 Modbus® serial communication. Other features include:



SM PLUS

- Removable electronic programming module allows off-line set-up and program replication.
 - Input line voltage calibration—optimizes over and under voltage trip levels
 - Current limit to 180% with frequency foldback
 - Adjustable carrier frequency (4 to 10 kHz)
 - Adjustable V/Hz
 - Output frequency to 240 Hz
 - Seven preset speeds
 - Automatic restart after fault
 - Control via drive face, terminal strip or optional remote keypad
 - Coast or ramp to stop
 - Independent Accel and Decel adjustment
 - Forward only or forward and reverse direction
 - Adjustable DC injection braking
 - Speed reference: Keypad, 0-10 VDC, or 4-20 mA
 - Speed reference calibration
 - Speed and load indicating output signal selection: 0-10 VDC or 4-20mA
 - Output signal calibration
 - I²t motor thermal overload protection; meets UL requirements for motor protection in single motor applications
 - Fixed boost for high starting torque
 - Accel boost for high torque accelerating at any speed
 - Slip compensation
 - Three-digit LED display
 - Password protection
 - Fault history: Stores eight previous trips
 - Terminal status indication
 - Default parameter reset
 - IP20 enclosure with finger safe terminals
 - Dynamic braking and remote keypad kits available on pages 118 and 119
- ✧ User programmable for 50Hz and other voltage inputs



DIMENSIONS ON PAGE 115

PDF file of Manual available at www.leeson.com

SINGLE PHASE INPUT/THREE PHASE OUTPUT

(Use with three phase 230V motor)

115/230 Volts	HP	Output Amps	Input Voltage ✧	Catalog Number	List Price	App. Wgt.(lbs.)	Disc Sym.	Dimension Key
	1	4.2	115/230	174492	\$767	4	A	B1
	1 1/2	6.0	115/230	174445	865	5	A	B1

SINGLE OR THREE PHASE INPUT/THREE PHASE OUTPUT

(Use with three phase 230V motor)

200-240 Volts	HP	Output Amps	Input Voltage ✧	Catalog Number	List Price	App. Wgt.(lbs.)	Disc Sym.	Dimension Key
	1/4	1.4	200-240	174452	\$549	2	A	A1
	1/2	2.2	200-240	174453	573	2	A	A1
	1	4.2	200-240	174454	616	3	A	A2
	1 1/2	6.0	200-240	174493	733	4	A	B1
	2	6.8	200-240	174494	810	5	A	B2
	3	9.6	200-240	174495	984	5	A	B2
	5	15.2	200-240	174444	1349	8	A	C1

THREE PHASE INPUT/OUTPUT

200-240 Volts	HP	Output Amps	Input Voltage ✧	Catalog Number	List Price	App. Wgt.(lbs.)	Disc Sym.	Dimension Key
	1	4.2	200-240	174455	\$569	3	A	A2
	1 1/2	6.0	200-240	174456	668	3	A	A3
	2	6.8	200-240	174457	737	4	A	A3
	3	9.6	200-240	174458	878	4	A	A3
	5	15.2	200-240	174446	1130	4	A	B2
	7 1/2	22.0	200-240	174438	1544	8	A	C1
	10	28.0	200-240	174439	1844	8	A	C1
	15	42.0	200-240	174429	2389	13	A	D1
	20	54.0	200-240	174430	2930	14	A	D1
	1/2	1.1	400-480	174459	640	2	A	A1
	1	2.1	400-480	174460	689	3	A	A2
	1 1/2	3.0	400-480	174461	753	3	A	A3
	2	3.4	400-480	174462	830	4	A	A3
	3	4.8	400-480	174463	928	4	A	A3
	5	7.6	400-480	174447	1183	5	A	B2
	7 1/2	11.0	400-480	174440	1544	8	A	C1
	10	14.0	400-480	174441	1844	8	A	C1
	15	21.0	400-480	174431	2342	13	A	D1
	20	27.0	400-480	174432	2868	14	A	D1
	25	34.0	400-480	174433	3413	14	A	D1
	30	40.0	400-480	174500	3967	14	A	D1
	1	1.7	480-590	174464	737	3	A	A2
	2	3.0	480-590	174491	882	4	A	A3
	3	4.2	480-590	174497	1048	5	A	B2
	5	6.6	480-590	174448	1282	5	A	B2
	7 1/2	9.9	480-590	174442	1665	8	A	C1
	10	12.2	480-590	174443	1972	8	A	C1
	15	19.0	480-590	174434	2584	8	A	D1
	20	24.0	480-590	174435	3159	14	A	D1
	25	27.0	480-590	174436	3737	14	A	D1

SPECIFICATIONS:

Storage Temperature	-20° to 70° C
Ambient Operating Temperature	0° to 50° C
Ambient Humidity	<95% (non-condensing)
Maximum Altitude	3300 ft (1000m) above sea level
Input Line Voltages	115/230 VAC, 200-230 VAC, 460-480 VAC, and 550-575 VAC
Input Voltage Tolerance	+10%, -15%
Input Frequency Tolerance	48 to 62 Hz
Output Wave Form	Sine Coded PWM
Output Frequency	0-240 Hz
Carrier Frequency	4 kHz to 10 kHz

Enclosure	IP20
Service Factor	1.0
Efficiency	up to 98%
Power Factor (displacement)	>0.96
Overload Current Capacity	150% for 60 seconds 180% for 20 seconds
Speed Reference Follower	0-10 VDC, 4-20 mA
Control Voltage	15 VDC
Analogue Outputs	0-10 VDC or 2-10 VDC: Proportional to frequency or load
Digital Outputs	Open-collector: 40 mA at 30 VDC
Power Supply for Aux. Relays	40 mA at 12 VDC

SM SERIES SUB-MICRO INVERTER DRIVES

For applications requiring a simpler drive without the advanced features of the SM-Plus drive. Provides 11 isolated I/O terminals with one Form A relay output. Other features include:

- Removable electronic programming module allows off-line set-up and program replication.
- Input line voltage calibration—optimizes over and under voltage trip levels
- Current limit to 180% with frequency foldback
- Adjustable carrier frequency (4 to 10 kHz)
- Adjustable V/Hz
- Output frequency to 240 Hz
- Seven preset speeds
- Automatic restart after fault
- Control via drive face, terminal strip or optional remote keypad
- Coast or ramp to stop
- Independent Accel and Decel adjustment
- Forward only or forward and reverse direction
- Adjustable DC injection braking
- Speed reference: Keypad, 0-10 VDC, or 4-20 mA
- Speed reference calibration
- I^t motor thermal overload protection; meets UL requirements for motor protection in single motor applications
- Fixed boost for high starting torque
- Accel boost for high torque accelerating at any speed
- Slip compensation
- Three-digit LED display
- Password protection
- Fault history: Stores eight previous trips
- Terminal status indication
- Default parameter reset
- IP20 enclosure with finger safe terminals
- Dynamic braking and remote keypad kits available on pages 118 and 119.

☆ User programmable for 50Hz and other voltage inputs



SM SERIES

SINGLE PHASE INPUT/THREE PHASE OUTPUT

(Use with three phase 230V motor)

	HP	Output Amps 230 VAC	Input Voltage	Catalog Number	List Price	App. Wgt.(lbs.)	Disc. Sym.	Dimension Key
110-120 Volts	1/3	1.7	110-120	174263	\$374	2	A	A5
	1/2	2.4	110-120	174264	406	2	A	A5
	1	4.2	110-120	174265	539	3	A	B5
	1 1/2	6.0	110-120	174266	611	3	A	B5

SINGLE PHASE INPUT/THREE PHASE OUTPUT

(Use with three phase 230V motor)

	HP	Output Amps	Input Voltage	Catalog Number	List Price	App. Wgt.(lbs.)	Disc. Sym.	Dimension Key
200-240 Volts	1/3	1.7	200-240	174267	\$346	2	A	A5
	1/2	2.4	200-240	174268	365	2	A	A5
	1	4.2	200-240	174270	406	3	A	A6
	1 1/2	6.0	200-240	174271	489	4	A	B5
	2	7.0	200-240	174272	574	5	A	B5
	3	9.6	200-240	174273	675	5	A	B6

THREE PHASE INPUT/THREE PHASE OUTPUT

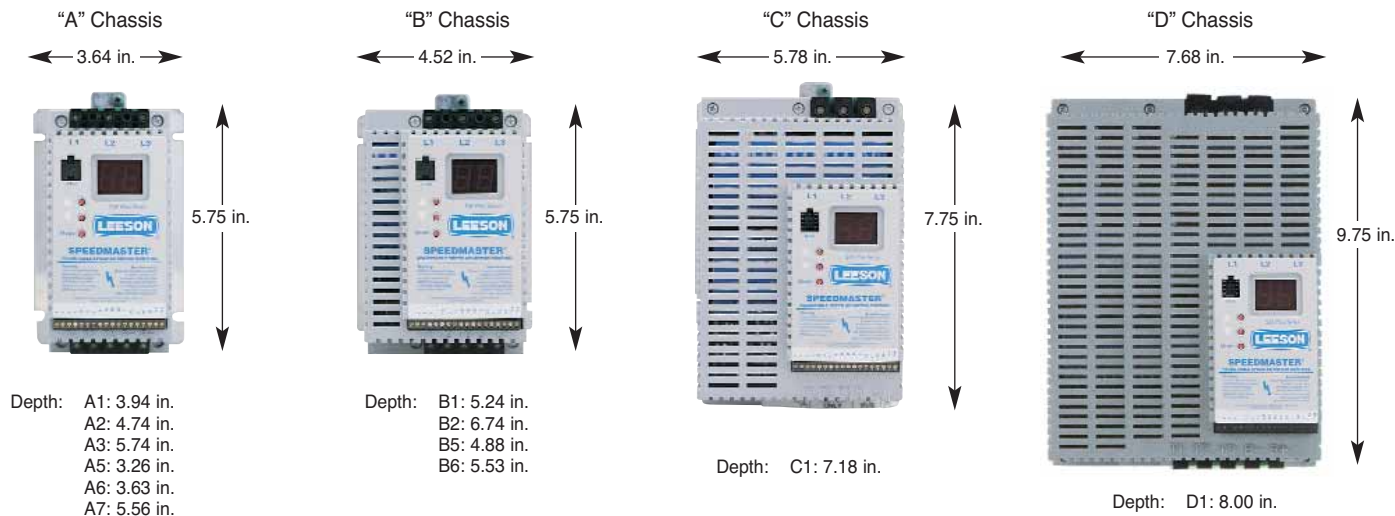
	HP	Output Amps	Input Voltage	Catalog Number	List Price	App. Wgt.(lbs.)	Disc. Sym.	Dimension Key
200-240 Volts	1/2	2.4	200-240	174274	\$346	2	A	A5
	1	4.2	200-240	174276	384	2	A	A6
	1 1/2	6.0	200-240	174277	456	3	A	A7
	2	7.0	200-240	174278	521	3	A	A7
	3	9.6	200-240	174279	577	3	A	B6
	5	15.2	200-240	174288	736	5	A	B2
	7 1/2	22	200-240	174280	1016	8	A	C1
	10	28	200-240	174290	1034	8	A	C1
	15	42	200-240	174292	1860	14	A	D1

THREE PHASE INPUT/THREE PHASE OUTPUT

	HP	Output Amps	Input Voltage	Catalog Number	List Price	App. Wgt.(lbs.)	Disc. Sym.	Dimension Key
400-480 Volts	1/2	1.1	400-480	174281	\$463	2	A	A1
	1	2.1	400-480	174282	494	3	A	A2
	1 1/2	3.0	400-480	174283	537	3	A	A3
	2	3.4	400-480	174284	573	4	A	A3
	3	4.8	400-480	174286	629	4	A	B1
	5	7.8	400-480	174287	752	5	A	B2
	7 1/2	11	400-480	174285	977	5	A	B2
	10	14	400-480	174291	1164	8	A	C1
	15	21	400-480	174293	1375	8	A	C1



DIMENSIONS: SM, SM PLUS AND SM VECTOR INVERTERS



Dimensions shown for reference only. Contact LEESON for detailed drawing.

LEESON AC ADJUSTABLE SPEED DRIVES

SM VECTOR SUB-MICRO INVERTERS

SM VECTOR SUB-MICRO INVERTER DRIVES

Sensorless Vector AC Drive delivers up to 200% starting torque and can control a vector duty motor down to 1Hz at full output torque!

- The SM-Vector drive is designed for operation with vector duty rated induction motors rated for 200, 230, 400, 460, or 590VAC from 0 to 240Hz.
- IP20 enclosure with finger safe terminals
- Easy setup and operation – Program the SM-Vector drive one of four different ways:
 - From the front of the drive
 - The optional remote keypad
 - A PC using the TechLink Software
 - The EPM Programmer
- Modes of operation:
 - Constant Torque V/Hz
 - Variable Torque V/Hz
 - Sensorless Vector – speed mode
 - Sensorless Vector – torque mode
- Auto Tuning determines key performance values based on the motor and installation variables. Required for operation in vector modes, but can be used to enhance performance in V/Hz mode.
- The SM-Vector drive is an approved thermal overload protection device for single motor applications.
- 18 isolated terminals provide 5 logic inputs and 2 logic outputs.
- Two reference inputs allow for 4-20mA and either 0-10V or bipolar -10 to +10V
- Two analog outputs indicate speed and load.
- Two wire RS485 serial communication.
- Dynamic braking and remote keypad kits available on pages 118 and 119.



SM VECTOR

✧ User programmable for 50Hz and other voltage inputs



DIMENSIONS ON PAGE 115

PDF file of Manual available at www.leeson.com

SINGLE OR THREE PHASE INPUT/THREE PHASE OUTPUT (Use with three phase 230V motor)

	HP	Output Amps 230VAC	Input Voltage ✧	Catalog Number	List Price	Wgt. (lbs.)	Disc Sym.	Dimension Key
200-240 Volts	1/2	2.2	200-240	174000	\$576	2	A	A1
	1	4.2	200-240	174001	648	3	A	A2
	1 1/2	6.0	200-240	174002	769	4	A	B1
	2	6.8	200-240	174003	851	5	A	B2
	3	9.6	200-240	174004	1034	5	A	B2

THREE PHASE INPUT/THREE PHASE OUTPUT

	HP	Output Amps 230VAC	Input Voltage ✧	Catalog Number	List Price	Wgt. (lbs.)	Disc Sym.	Dimension Key
200-240 Volts	1	4.2	200-240	174006	\$596	3	A	A2
	1 1/2	6.0	200-240	174007	702	3	A	A3
	2	6.8	200-240	174008	773	4	A	B2
	3	9.6	200-240	174009	923	4	A	B2
	5	15.2	200-240	174010	1187	4	A	B2
	7 1/2	22	200-240	174011	1620	8	A	C1
	10	28	200-240	174012	1936	8	A	C1

THREE PHASE INPUT/THREE PHASE OUTPUT

	HP	Output Amps	Input Voltage ✧	Catalog Number	List Price	Wgt. (lbs.)	Disc Sym.	Dimension Key
400-480 Volts	1/2	1.1	400-480	174015	\$671	2	A	B1
	1	2.1	400-480	174016	723	3	A	B1
	1 1/2	3.0	400-480	174017	791	3	A	B1
	2	3.4	400-480	174018	872	4	A	B2
	3	4.8	400-480	174019	975	4	A	B2
	5	7.8	400-480	174020	1243	5	A	B2
	7 1/2	11	400-480	174021	1620	8	A	C1
	10	14	400-480	174022	1936	8	A	C1

THREE PHASE INPUT/THREE PHASE OUTPUT

	HP	Output Amps	Input Voltage ✧	Catalog Number	List Price	Wgt. (lbs.)	Disc Sym.	Dimension Key
480-590 Volts	1	1.7	480-590	174027	\$773	3	A	B1
	2	3.0	480-590	174028	927	4	A	B2
	3	4.2	480-590	174029	1100	5	A	B2
	5	6.6	480-590	174030	1346	5	A	B2
	7 1/2	9.9	480-590	174031	1747	8	A	C1
	10	12.2	480-590	174032	2071	8	A	C1

SPECIFICATIONS:

Storage Temperature	-20° to 70° C
Ambient Operating Temperature	0° to 50° C
Ambient Humidity	<95% (non-condensing)
Maximum Altitude	3300 ft (1000m) above sea level
Input Line Voltages	208-240 VAC, 400-480 VAC, 480-590 VAC
Input Voltage Tolerance	+10%, -15%
Input Frequency Tolerance	48 to 62 Hz
Output Wave Form	Sine Coded PWM
Output Frequency	0-240 Hz
Carrier Frequency	2 kHz, 4 kHz, 8 kHz

Enclosure	IP20
Service Factor	1.0
Efficiency	up to 98%
Power Factor (displacement)	0.96 or better
Overload Current Capacity	150% for 60 seconds 200% for 25 seconds
Speed Reference Follower	0-10 VDC, 4-20 mA
Control Voltage	15 VDC
Analog Outputs	0-10 VDC or 2-10 VDC: Proportional to speed, load, or torque
Digital Outputs	Open-collector: 50 mA at 30 VDC
Power Supply for Aux. Relays	50 mA at 12 VDC



SM2 SERIES FLUX VECTOR DRIVE

With its price, its flexibility and a power range of up to 25 Hp, the SM2 SERIES FLUX VECTOR drive excels in environments where inverter technology was once considered too costly, including packaging machinery, food processing machinery, material handling/conveying systems and HVAC systems.

The SM2 SERIES FLUX VECTOR carries all the features required by demanding applications including four modes of operation (V/Hz, Enhanced V/Hz, Vector Speed, and Torque), high starting torque, auto-tuning, advanced low-speed control, and dynamic speed regulation.



General Specifications:

- **Horsepower:** 1 to 25HP (0.75 to 18.5kW)
- **Supply Power:**
 - Single Phase: 120, 208, 220 or 240VAC
 - Three Phase: 208, 240, 400, 480 or 600VAC
 - 50 / 60 Hz

Motors: Designed for operation with vector duty rated induction motors rated for 120, 200, 230, 400, 460 or 575VAC from 0 to 240Hz.

Enclosure: NEMA1, IP21, -10 to 55°C, 2.5% derate per °C above 40°C

Standard Features: Easy Set-up and Operation: Program the Vector control in one of four convenient ways:

- From the front of the drive
- The optional remote keypad
- A PC Using TechLink Software (Available free from www.leeson.com)
- The innovative EPM Programmer.

Modes of operation:

- Open Loop Flux Vector (Speed or Torque)
- V/Hz (constant or variable)
- Enhanced V/Hz with Auto-tuning

Easy to Use Keypad & Display 6-Button Interface:

- Start
- Stop
- Forward/Reverse
- Scroll Up
- Scroll Down
- Enter/Mode

Vivid Illumination:

- 4 digit LED display
- Easy to read from a distance
- Movable Decimal Point

Acceleration/Deceleration Profiles:

- Two Independent Accel Ramps
- Two Independent Decel Ramps
- Linear or S-Type
- Auxiliary Ramp-to-Stop

Output Frequency:

- 500 Hz Std., 1000 Hz Optional

Selectable Logic Assertion:

- Positive Logic Input (PNP current sourcing)
- Negative Logic Input (NPN current sinking)

Multiple Braking Functions

Loss of Follower Management

Speed Commands: Keypad, Jog, Floating Point Control

Voltage: Scalable 0-10 VDC,

Current: Scalable 4-20 mA, Potentiometer, 8 Preset Speeds

Process Control: PID Modes: Direct or Reverse Acting, PID Sleep Mode

PDF file of Manual available at www.leeson.com

SINGLE PHASE INPUT/THREE PHASE OUTPUT

115-230 Volts	HP	Output Amps 230 VAC	Input Voltage	Catalog Number	List Price	App. Wgt.(lbs.)	Disc. Sym.	Dimension H x W x D (in.)
	1/3	1.7	115/230	174603	\$429	2.9	A	7.5 x 3.9 x 4.35
	1/2	2.4	115/230	174604	440	3.0	A	7.5 x 3.9 x 4.35
	1	4.2	115/230	174605	490	3.2	A	7.5 x 3.9 x 4.35

SINGLE OR THREE PHASE INPUT/THREE PHASE OUTPUT

208-240 Volts	HP	Output Amps 230 VAC	Input Voltage	Catalog Number	List Price	App. Wgt.(lbs.)	Disc. Sym.	Dimension H x W x D (in.)
	1/3	1.7	208/240	174606 Ⓢ	\$390	2.5	A	7.5 x 3.9 x 4.35
	1/2	2.4	208/240	174607	410	2.9	A	7.5 x 3.9 x 4.35
	1	4.2	208/240	174608	434	3.2	A	7.5 x 3.9 x 4.35
	1 1/2	6.0	208/240	174609	484	3.7	A	7.5 x 3.9 x 5.45
	2	7.0	208/240	174610	525	3.7	A	7.5 x 3.9 x 5.45
	3	9.6	208/240	174611	665	3.9	A	7.5 x 3.9 x 5.45

Ⓢ LEESON model 174606 is single-phase input only

THREE PHASE INPUT/OUTPUT

200-240 Volts	HP	Output Amps 230 VAC	Input Voltage	Catalog Number	List Price	App. Wgt.(lbs.)	Disc. Sym.	Dimension H x W x D (in.)
	1 1/2	6.0	200/240	174612	\$462	3.7	A	7.5 x 3.9 x 5.45
	2	7.0	200/240	174613	496	3.7	A	7.5 x 3.9 x 5.45
	3	9.6	200/240	174614	624	3.8	A	7.5 x 3.9 x 5.45
	5	16.5	200/240	174615	744	4.2	A	7.5 x 3.9 x 5.8
	7 1/2	23.0	200/240	174616	993	7.3	A	9.83 x 5.12 x 6.3
	10	29.0	200/240	174617	1227	7.3	A	9.83 x 5.12 x 6.3
	15	42.0	200/240	174618 Ⓢ	TBA	20	A	12.33 x 6.88 x 8.08
	20	54.0	200/240	174619 Ⓢ	TBA	20	A	12.33 x 6.88 x 8.08
400-480 Volts								
	1 1/2	1.1	400/480	174620	473	3.0	A	7.5 x 3.9 x 4.35
	1	2.1	400/480	174621	509	3.2	A	7.5 x 3.9 x 4.35
	1 1/2	3.0	400/480	174622	550	3.6	A	7.5 x 3.9 x 5.45
	2	3.5	400/480	174623	588	3.7	A	7.5 x 3.9 x 5.45
	3	4.8	400/480	174624	692	3.7	A	7.5 x 3.9 x 5.45
	5	8.2	400/480	174625	783	4.3	A	7.5 x 3.9 x 5.8
	7 1/2	11.0	400/480	174626	991	7.3	A	9.83 x 5.12 x 6.3
	10	14.0	400/480	174627	1225	7.3	A	9.83 x 5.12 x 6.3
	15	21.0	400/480	174628 Ⓢ	TBA	20	A	12.33 x 6.88 x 8.08
	20	27.0	400/480	174629 Ⓢ	TBA	20	A	12.33 x 6.88 x 8.08
	25	35.0	400/480	174630 Ⓢ	TBA	20	A	12.33 x 6.88 x 8.08
480-590 Volts								
	1	1.7	480/590	174631	586	3.2	A	7.5 x 3.9 x 4.35
	2	2.7	480/590	174632	653	3.7	A	7.5 x 3.9 x 5.45
	3	3.9	480/590	174633	755	3.8	A	7.5 x 3.9 x 5.45
	5	6.1	480/590	174634	853	4.2	A	7.5 x 3.9 x 5.8
	7 1/2	9.0	480/590	174635	1065	7.3	A	9.83 x 5.12 x 6.3
	10	11.0	480/590	174636	1313	7.3	A	9.83 x 5.12 x 6.3
	15	17.0	480/590	174637 Ⓢ	TBA	20	A	12.33 x 6.88 x 8.08
	20	22.0	480/590	174638 Ⓢ	TBA	20	A	12.33 x 6.88 x 8.08
	25	27.0	480/590	174639 Ⓢ	TBA	20	A	12.33 x 6.88 x 8.08

Ⓢ Coming in 4th quarter 2008

Voltage Monitoring

Current Monitoring

Real Time Monitoring: 8 register fault history, Software Version Drive Network ID, DC Bus Voltage (V), Motor Voltage (V), Output Current (%) Motor Current (A), Motor Torque (%), Power (kW) Energy Consumption (kWh), Heatsink Temperature (°C), 0-10 VDC Input (User Defined), 4-20 mA Input (User Defined) PID

Feedback (User Defined), Analog Output (% Load, % Torque, kW), Network Speed (baud rate), Terminal Continuity, Keypad Status,

Elapsed Run Time (hours), Elapsed Power on Time (hours)

Standards: UL (USA), cUL (Canada), CE (Europe), GOST (Russia/Ukraine) C-Tick (Australia/New Zealand)



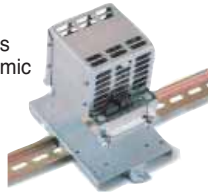
AC ADJUSTABLE SPEED DRIVES

SUB-MICRO INVERTER ACCESSORIES

ACCESSORIES FOR THE SM, SM-PLUS & SM VECTOR SERIES DRIVES

Dynamic Braking Components for the SM, SM-Plus & SM Vector Series Drives

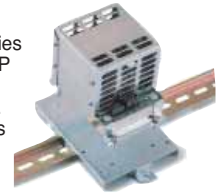
Dynamic braking is available for the SM, SM-Plus and SM Vector series drives as a separate Dynamic Braking Module. Lower HP modules have the control electronics and the dynamic braking resistor in one convenient package. Larger units require a separate resistor. The modules can be panel or DIN rail mounted.



ACCESSORIES FOR THE SM2 FLUX VECTOR SERIES DRIVES

Dynamic Braking Components for the SM2 Vector Series Drives

Dynamic braking is available for the SM2 Vector Series drives as a separate Dynamic Braking Module. 10 HP and lower modules have control electronics and the dynamic braking resistor in one convenient package. Larger units require a separate resistor. The modules can be panel or DIN rail mounted.



DYNAMIC BRAKING MODULES WITH BUILT-IN DYNAMIC BRAKING RESISTORS*

Drive HP	Motor Voltage Rating	Catalog Number	List Price	Disc. Sym.	App. Wgt. (lbs.)
1/4-1/2	208-230V	174400	\$253	A	2
1/4-1/2	400-480V	174406	253	A	2
1 - 1 1/2	208-230V	174401	294	A	3
1 - 1 1/2	400-480V	174407	294	A	3
1 - 1 1/2	480-590V	174412	294	A	3
2 - 3	208-230V	174402	400	A	4
2 - 3	400-480V	174408	400	A	4
2 - 3	480-590V	174413	400	A	4
5	208-230V	174403	522	A	5
5	400-480V	174409	522	A	5
5	480-590V	174414	522	A	5
7 1/2	208-230V	174404	659	A	6
7 1/2	400-480V	174410	659	A	6
7 1/2	480-590V	174415	659	A	6
10	208-230V	174405	795	A	8
10	400-480V	174411	795	A	8
10	480-590V	174416	795	A	8

* Braking Resistors are included with the module and not purchased separately.

DYNAMIC BRAKING MODULES WITH BUILT-IN DYNAMIC BRAKING RESISTORS*

Drive HP	Motor Voltage Rating	Catalog Number	List Price	Disc. Sym.	App. Wgt. (lbs.)
1/3-1/2	208 - 230V	174157	\$247	A	2
1/3-1/2	400 - 480V	174158	247	A	2
1 - 1 1/2	208 - 230V	174151	289	A	3
1 - 1 1/2	400 - 480V	174152	289	A	3
1 - 1 1/2	480 - 590V	174153	289	A	3
2 - 3	208 - 230V	174154	393	A	4
2 - 3	400 - 480V	174155	393	A	4
2 - 3	480 - 590V	174156	393	A	4
5	208 - 230v	174159	511	A	5
5	400 - 480V	174160	511	A	5
5	480 - 590V	174161	511	A	5
7 1/2	208 - 230V	174162	646	A	6
7 1/2	400 - 480V	174163	646	A	6
7 1/2	480 - 590V	174164	646	A	6
10	208 - 230V	174165	780	A	8
10	400 - 480V	174166	780	A	8
10	480 - 590V	174167	780	A	8

* Braking Resistors are included with the module and not purchased separately.

ELECTRONIC PROGRAMMING UNIT

Electronic Programming Unit allows off-line set-up and replication of the drive's plug-in electronic programming module (shown at right). Excellent for multi-drive applications. Keypad input and alphanumeric display simplify programming. RS-232 serial port allows downloading of configuration files from personal computer.



Catalog Number	List Price	Disc. Sym.	App. Wgt. (lbs.)
174189	\$701	A	2

DIN RAIL MOUNTING KITS

Steel plates and fasteners for mounting drives on standard 35mm DIN rails for panel building. **Set of six.**



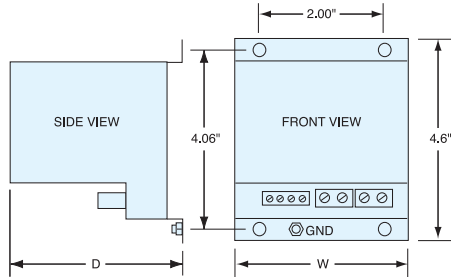
174186 for "A" chassis drives.

174187 for "B" chassis drives.

174188 for "C" chassis drives.

Catalog Number	List Price (6 pcs.)	Disc. Sym.	App. Wgt. (lbs.)
174186	\$144	A	3
174187	161	A	3
174188	191	A	3

Dimensions (inches)		
HP	W	D
0.25-1.5	3.1	3.1
2-3	3.1	4.3
5	3.1	5.6
7.5-10	4.2	6.7



DYNAMIC BRAKING MODULES WITHOUT RESISTORS

Drive HP	Motor Voltage Rating	Catalog Number	List Price	Disc. Sym.	App. Wgt. (lbs.)
15-20	208-230V	174417	\$340	A	10
15-30	400-480V	174418	340	A	10
15-25	480-590V	174419	340	A	10

* Dynamic Braking Resistors are purchased and mounted separately.

DYNAMIC BRAKING RESISTORS

Drive HP	Motor Voltage Rating	Catalog Number	List Price	Disc. Sym.	App. Wgt. (lbs.)
15-20	208-230V	174144	\$374	A	1
15-20	400-480V	174144	374	A	1
15-20	480-590V	174149	374	A	1
15-30	400-480V	174145	631	A	1
25	480-590V	174140	631	A	1

** Dynamic Braking Resistors are provided with mounting brackets.

EPM BULK PACK

Plug-in electronic programming modules (EPM). Allow off-line set-up and replication of program using Electronic Programming Unit (at left). **Set of 10.**



Catalog Number	List Price (10 pcs.)	Disc. Sym.	App. Wgt. (lbs.)
174190	\$154	A	1

REMOTE KEYPAD

Remote keypad kit for includes eight-foot connecting cable and gasket. Mounted in proper enclosure, the keypad kit will provide up to NEMA 4 protection. **These keypads can only be used with Sub-Micro drives manufactured May, 1999 or later (date code of 9922 or higher).**



Drive Type	Catalog Number	List Price	App. Disc. Sym.	Wgt. (lbs.)
SM Plus	174191	\$203	A	2
SM	174194	165	A	2
SM Vector	174306	203	A	2
SM2 Vector	174150	199	A	2

AC Drives



AC ADJUSTABLE SPEED DRIVES

SUB-MICRO INVERTER ACCESSORIES

FHP SERIES AC DRIVES

General Specifications:

The FHP Series volts/hertz-type AC drives are as simple to set-up and calibrate as an SCR-type DC drive. Rated from 1/4 to 1HP with 115V, 230V, or 115/230V "doubler" input power ratings.

The cost-conscious and compact chassis design of the FHP Series maintains the industry standard for mounting hole location.

The NEMA 4X enclosed drive has additional features in a compact package size.

With its compact size, standard features and application flexibility, the FHP Series is an excellent choice for most 1 hp and under AC applications.

Common features for chassis and enclosed units:

- Compact size – (4.30" x 3.70")
- Industry standard mounting
- Output voltage on dual voltage models is jumper selectable and can double the output voltage – allowing the use of a 230V motor when only 115V power is available.
- Quickly and easily change trimmer pot ranges for 1/15 to 1 hp motors.
- Easy calibration and setup with on board trim pot adjustments for boost, max speed, acceleration, deceleration, to overcome intermittent peak loads, then reduces the torque and torque limit.
- Torque 'foldback' feature – Allows up to 200% torque for short periods (output current) to a safe level that is set with the TQ LIMIT trim pot.
- 16kHz switching frequency, with option to change between 4 and 16kHz in the field.
- Adjustable torque boost for startup – Up to 200% additional torque for loads with high inertia or friction.
- Color-coded on-board LEDs for Power, Fault and Torque Limit enable easy visual determination of drive status.
- Easy start/stop and direction control with enable and Direction terminal connections.
- Accepts speed reference from 0-5VDC isolated signal or wired in speed potentiometer.
- Plug-in Process Control Module (PCM) kit available to accept 0-5VDC, 0-10VDC or 4-20mA input.
- UL listed

Special features of the NEMA 4X drive:

- NEMA 4X enclosure
- Jumper selectable DC injection braking or coast to stop
- Brake time and current are adjustable
- Built-in isolation card to accept a speed reference signal
- Min speed adjustment
- Auto or manual restart after power loss

PARAMETER	SPECIFICATIONS FOR ALL FHP MODELS
Max load	150% for 5 minutes
Output frequency	0-120Hz
Output type	6 step PWM
Switching frequency	4-16kHz range* with 16kHz as factory default
Speed regulation and range	±3% of base speed; up to 50:1
On-board adjustable trim pots	Max speed, accel, decel, boost & torque limit
Adjustable maximum frequency range	32-120Hz
Adjustable accel and decel time range	1-12 seconds
Torque boost range	0-200%
LED indicators	Power (green), Fault‡ (red), Torque Limit (yellow)
Instantaneous over-current trip time	3 µsec
Analog reference input and impedance	0-5VDC isolated, ~100Kohm
Plug-in PCM isolator card input	0-5 VDC, 0-10VDC, 4-20mA
Ambient temperature range	0-40°C
Weight (Chassis Models)	1.2 lbs.
Vibration	0.5G max (20-50Hz); 0.1G max (>50Hz)
Approvals	UL, cUL

* Plug-in capacitor kit (175325) for field adjustments to less than 16khz; ‡ Faults are Over-voltage, Under-voltage and Instantaneous Over Current trip.



FHP SERIES AC DRIVES • CHASSIS MOUNT SINGLE PHASE INPUT/SINGLE OR THREE PHASE OUTPUT

HP	Input Voltage	Output Amps	Output Voltage	Catalog Number	List Price	Disc. Sym.	App. Wgt. (lbs.)
1/4	230	1.2	230	175318	\$294	A	2
	115/230	1.2	230	175319	350	A	2
	115	2.4	115	175320	304	A	3
1/2	230	2.4	230	175321	304	A	3
	115/230	2.4	230	175310	386	A	3
	115	4.0	115	175322	377	A	4
1	230	4.0	230	175323	373	A	4
	115/230	4.0	230	175311	489	A	4

FHP SERIES AC DRIVES • ACCESSORIES

Item Description	Catalog Number	List Price	Disc. Sym.	App. Wgt. (lbs.)
Process Control Module (PCM) Kit*	175324	\$96	A	2
Carrier Frequency Capacitor Kit	175325	23	A	1

* PCM Kit is for use with chassis drives only.

FHP SERIES AC DRIVES • NEMA 4X (IP65) SINGLE PHASE INPUT/THREE PHASE OUTPUT

- NEMA 4X enclosure
- Min speed adjustment
- Jumper selectable features:
 - DC injection braking or coast to stop
 - Brake time and current are adjustable
 - Auto or manual restart after power loss
- Built-in isolation card to accept a speed reference signal



HP	Input Voltage	Output Amps	Output Voltage	Catalog Number	List Price	Disc. Sym.	App. Wgt. (lbs.)
1/6-1	115/230	4.0	230	175326	\$686	A	7

DUAL MODE • DUAL SPEED CONTROL

- Dual Motor, Dual Voltage Control
- SCR Control designed to run two DC motors at the same time in either Independent mode or Slave/Master mode
- Open Chassis Design
- Dual voltage, 115-230 VAC input with jumper selectable 90/180 VDC output
- Jumper selectable speed and torque mode
- Two trim pots each for the minimum speed, maximum speed, IR compensation, current limit and acceleration/deceleration
- Comes standard with two potentiometers



HP	Input Voltage	Output Amps	Output Voltage	Catalog Number	List Price	Disc. Sym.	App. Wgt. (lbs.)
1 HP @ 90 VDC 2 HP @ 180 VDC	115/230	10*⊕	0-90/0-180	174422	\$297	A	3

⊕ Heat sink 174314 is required if one side provides more than 5A or the output of both sides is more than 6.5A.



LEESON Speedmaster® DC controls are general purpose drives designed for use with permanent magnet type direct current motors. NEMA 1 enclosed drives are suitable for most industrial applications, with the NEMA 4X enclosures best suited for washdown or outdoor installations or for extremely dusty applications. Chassis only units are available for building into equipment, machinery or existing enclosures. Most controls have a dual voltage switch allowing the control to be used on 115 or 230 volt, single phase, 50/60 Hertz service. However, the proper voltage motor should be selected for use with the power supply input, i.e., 90 volt DC motors for 115 volt input or 180 volt motors for 230 volt input service. Installation and adjustment instructions are included.

SCR/Thyristor drives are available in unidirectional and electro-mechanical type reversing styles for NEMA frame ratings and sub-fractional HP sizes.

All SCR/Thyristor drives have Shunt Field Supply Terminals and can be used with Shunt Wound DC Motors.

Regenerative, four quadrant controls in NEMA 4X or chassis style available for applications requiring more precise motion control. These controls will produce both motoring and braking torque regulation for NEMA frame 1/4 HP through 2 HP motors.

Pulse Width Modulated (PWM) controls are available in NEMA 1 and chassis style units for subfractional HP frame motors from 1/40 through 1/4 HP. Due to their improved form factor, these PWM controls will result in quieter operation, lower operating temperatures, longer brush life, and greater motor overload capacity than for the same motor on an SCR type control.

FOR NEMA FRAME MOTORS & GEARMOTORS SCR CONTROLS • ENCLOSED • SINGLE PHASE 50/60 HZ

Description	Catalog Number	List Price	Output Current Amps	HP Range		App. Wgt. (lbs.)	Disc. Sym.
				115V	230V		
NEMA 1 General Purpose							
– Non-Reversing	174307	\$346	10	1/8 to 1 ^(H)	1/4 to 2 ^(H)	5	A
– Reversing with dynamic braking	174308	472	10	1/8 to 1 ^(H)	1/4 to 2 ^(H)	5	A
– Heat Sink	174316	77	–	–	–	1	A
NEMA 4X Washdown—Dust-Tight							
– Non-Reversing, Plastic Enclosure	174102	470	10	1/4 to 1	1/4 to 2	6	A
– Non-Reversing, Plastic Enclosure with Signal Follower	174103	684	10	1/4 to 1	1/4 to 2	7	A
– Reversing, Plastic Enclosure*	174107	638	10	1/4 to 1	1/4 to 2	7	A
NEMA 4							
– Non-Reversing 3HP	174709	904	15	–	3	8	A

SCR CONTROLS • OPEN CHASSIS

Description	Catalog Number	List Price	Output Current Amps	HP Range		App. Wgt. (lbs.)	Disc. Sym.
				115V	230V		
Chassis with Speed Pot-Non Reversing	174311	\$190	10	1/8 to 1 ^(J)	1/4 to 2 ^(J)	1	A
Chassis Heat Sink ^(K)	174314	57	–	–	–	1	A

REGENERATIVE SCR DRIVES • FOUR QUADRANT • FULL WAVE

Description	Catalog Number	List Price	Output Current Amps	HP Range		App. Wgt. (lbs.)	Disc. Sym.
				115V	230V		
NEMA 4X Washdown ✓	175720	\$987	10	1/4 to 1 ^(K)	1/2 to 2 ^(K)	8	A
Open Chassis with Speed Pot ✓	175721	635	10	1/4 to 1 ^(K)	1/2 to 2 ^(K)	2	A
Chassis Heat Sink ^(K)	175722	110	–	–	–	2	A

FOR SUBFRACTIONAL HP MOTORS & GEARMOTORS PWM & SCR CONTROLS • ENCLOSED • SINGLE PHASE 50/60 HZ

Description	Catalog Number	List Price	Output Current Amps	HP Range		App. Wgt. (lbs.)	Disc. Sym.
				115V	230V		
NEMA 1 General Purpose							
– SCR Non-Reversing	M1740005	\$331	3	1/40 to 1/8	1/40 to 1/4	5	A
– SCR Reversing With Dynamic Braking	M1740006	449	3	1/40 to 1/8	1/40 to 1/4	5	A
– PWM Non-Reversing	M1740008	288	3	1/40 to 1/8	1/40 to 1/4	2	A

PWM & SCR CONTROLS • OPEN CHASSIS

Description	Catalog Number	List Price	Output Current Amps	HP Range		App. Wgt. (lbs.)	Disc. Sym.
				115V	230V		
Open Chassis SCR Type							
– Chassis with Speed Pot-Non Reversing	M1740007	\$185	1.5	1/40 to 1/8	1/40 to 1/4	1	A
Open Chassis PWM Type							
– Chassis with Speed Pot-Non Reversing	M1740009	214	2.0	1/40 to 1/8	–	1	A

* Drive does not have dynamic braking. Motor shaft must be at zero speed before reversing.
^(H) Heat sink #174316 is required for NEMA 1 type 3/4 and 1HP 115V and 1 1/2 and 2HP 230V when the amp draw of the motor exceeds 5 amps.
^(J) Chassis Heat Sink #174314 required for 3/4 and 1HP 115V and 1 1/2 and 2HP 230V when the amp draw of the motor exceeds 5 amps.
^(K) Chassis Heat sink #175722 required for 1HP and above when the amp draw of the motor exceeds 5 amps.
 ✓ Regenerative drives are reversible and have regenerative braking.

**NEMA D FLANGE KITS
STEEL AND CAST IRON
FRAME MOTORS**

Includes parts to convert a rigid base mounted motor to NEMA D face with base.

Shaded frame indicates cast iron motor kits for 150 and 170 series motors.

NOTE: The D Flange Kits can *only* be used on rigid base motors. They will not fit NEMA C face motors.



Frame	Enclosure	D Flange Kit Catalog Number	List Price	Disc. Sym.	App. Wgt. (lbs.)
143T-145T	Enclosed	163113	\$ 102	C	6
182T-184T*	Open / Enclosed	175694 △	199	B	12
182T-184T	Open	175101 ◆	201	C	13
182T-184T	Enclosed	175658 ☆	211	C	12
213T-215T	Open	175114	311	C	14
	Enclosed	175115 ☆	311	C	14
254T-256T	Open	175116	399	C	25
	Enclosed	175192	399	C	25
284T-286T	Open	175118	477	C	42
		175119	477	C	42
324T-326T	Open	175120 ☆	611	C	57
	Enclosed	175121	611	C	57
364T-365T	Open	175955	721	C	72
	Enclosed	175657	721	C	72
404T-405T	Open	175956	1002	C	90
	Enclosed	175957	1002	C	90
444T-445T	Open	175607	1160	C	106
	Enclosed	175608 ◇	1160	C	106

*Rolled steel frame only.

NEMA D FLANGE KIT WATTSAYER® MOTORS

Special conversion kit for use exclusively on WATTSAYER® cast iron frame motors.

Frame	Enclosure	D Flange Kit Catalog Number	List Price	Disc. Sym.	App. Wgt. (lbs.)
182T-184T	Enclosed	175843 *①	\$211	C	14
182T-184T	Enclosed	175396 ②	211	C	14
213T-215T	Enclosed	175959	311	C	14
324T-326T	Open	175455	828	C	57
364T-365T	Open	175602 ③	902	C	72
	Enclosed	175604 ③	902	C	72

*Locked bearing

RODENT SCREEN KITS

Frame	Enclosure	Catalog Number	List Price	Disc. Sym.	App. Wgt. (lbs.)
182T-184T*	Open	175872	\$98	C	1
213T-215T*	Open	175871	175	C	1
254T-256T	Open	175873	251	C	2
284T-286T	Open	175874	251	C	3
324T	Open	175894	591	C	5
326T	Open	175875	591	C	4

*Rolled steel frame only.

- △ Use this kit for 182-4T and S213T motors with catalog numbers 131454 and higher, or with a G prefix. Both open and enclosed motors in this series use the same kits as ventilation is in the frame of the motor.
- * For use with 213T-215T 3450 RPM motors only.
- ◆ For use with motors having "P" suffix on date code.
- ▼ For use with motors having catalog numbers 15XXXX, G15XXXX, or 17XXXX.
- ☆ Not for use with WATTSAYER® motors.
- ① For use with motors having date codes earlier than May 2003.
- ② For use with motors having date codes May 2003 and later.
- ◇ For use with 1140 and 1750 RPM motors only.
- ③ WATTSAYER® II design, having oversized frame body.

**CHEMICAL SERVICE/
SEVERE DUTY CONVERSION KITS**

Cast iron fan covers for cast iron motors. Designed to easily convert TEFC motors to all cast iron construction. All these motors have inert, corrosion resistant fiber filled thermoplastic fan as standard. Kit includes one cast iron fan cover.



NEMA Frame	IEC Frame	Catalog Number	List Price	Disc. Sym.	App. Wt. (lbs.)
182T-184T	---	175663	\$169	C	10
213T-215T	---	175050	247	C	12
254T-256T	160	175051	331	C	18
284T-286T	180	175052	580	C	22
324T-326T	200	175053	604	C	29
364T-365T	225	175054	902	C	39
404T-405T	250	175055	984	C	49
444T-445T	280	175056	1114	C	59
447T-449T	---	175891	1114	C	112

**DRIP-COVER KITS
FOR DRIP-PROOF MOTORS**

Each kit includes one drip-cover. Designed to protect drip-proof motors from rain, snow and ice when mounted outdoors in a vertical position.



Frame	Catalog Number	List Price	Disc. Sym.	App. Wgt. (lbs.)
48-S56	175003	\$40	A	2
48-S56	175298 ◆	40	A	2
56				
143T-145T	175004	44	A	2
182T-184T*	175614	56	B	3
182T-184T	175961 ▼	52	C	3
213T-215T*	175846	79	B	12
213T-215T*	175305 *	79	B	12
213T-215T	175962 ▼	79	C	4
254T-256T	175963 ▼	101	C	7

*Rolled steel frame only.

**DRIP-COVER KIT
FOR TEFC MOTORS**

For use with 1750 RPM steel frame motors only.

Frame	Catalog Number	List Price	Disc. Sym.	App. Wgt. (lbs.)
213T-215T	175849	\$79	B	12

TEXTILE "LINT-PROOF" KITS

Needed parts to convert one TEFC motor to lint-proof construction.

Frame	Catalog Number	List Price	Disc. Sym.	App. Wgt. (lbs.)
56-143T-145T	175024	\$69	A	2
182T-184T	175695 △	134	B	3

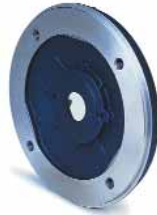
SHADED FRAME INDICATES CAST IRON CONSTRUCTION

Motor Accessories

**NEMA C FACE KITS
STEEL FRAME MOTORS**

Includes parts to convert a rigid base mounted motor to NEMA C face with base.

The C Face Kits *cannot* be used as replacements on a factory-produced C face motor.



For motors with Catalog Numbers 092000-140999

Frame	Enclosure	C Face Kit Catalog Number	List Price	Disc. Sym.	App. Wgt. (lbs.)
42	Open / Enclosed	175661	\$41	A	2
48	Open / Enclosed	175969○ 175646④	41	A	2
S56	Open	175000	41	A	2
	Enclosed	175180	41	A	2
	Open / Enclosed	175297●	41	A	2
	Open / Enclosed	175647④	41	A	2
56 (see note 2)	Open	175075	49	A	2
	Enclosed	175076	49	A	2
	Enclosed	M064076▲	43	A	2
143T-145T	Open	175181	49	B	2
	Enclosed	175077	49	B	2
182T-184T	Open / Enclosed	175691±	60	B	2
182T-184T Special+	Open / Enclosed	175294	60	B	5
S213T	Open / Enclosed	175693Δ	113	B	2
	Open	175845□	113	B	19
(1750,1140, & 850 RPM)	Enclosed	175844□	113	B	15
	ODP	175303★	106	B	15
213T-215T (3450 RPM)	Enclosed	175304★	106	B	15

NOTE: 1) When changing a rigid mount motor to C Face for 140T-256T frames, a non-NEMA BA dimension results.
2) Some larger HP 56-frame motors have larger shaft-end bearings and require a 143T-145T C Face kit. Contact LEESON.

JP PUMP DRIP COVER KITS

Frame	Catalog Number	Enclosure	List Price
56-145JP	175932	ODP or TEFC	\$24
182JP-184JP	175933	ODP	28
213JP-215JP	175305★	ODP	79

- Use these kits for new-design 213T and 215T motors that have external thru-bolts.
- Δ Use this kit for 182-4T and S213T motors with catalog numbers 131454 and higher, or with a G prefix.
Both open and enclosed motors in this series use the same kits as ventilation is in the frame of the motor.
- Not TS Frame.
- ✓ For older cast iron motors with date code C93 or earlier.
- For use with motors having "P" suffix on date code.
- ★ When ordering, specify if motor has .00 or .60 suffix for correct kit.
- ± Converts a 182T-184T frame motor to the C-face dimensions of a 143T-145T or 182U184U frame motor –
AJ = 5 7/8", AK = 4 1/2". Does not change the shaft extension or BA dimension to match the other frame sizes.
- ★ For use with 3450 RPM, 213T-215T (213JP-215JP) motors only.
- ▲ For use with Industry-Ag motors only, see page 69.
- For use with AC motors having "P" suffix on date code. Results in non-NEMA shaft and BA dim.
- ✱ Not for use with WATTS AVER® motors.
- ① For use with motors having date codes earlier than May 2003.
- ② For use with motors having date codes May 2003 and later.
- ③ WATTS AVER® II design, having oversized frame body.
- ④ For motors manufactured after January 1, 2007, having a "B" suffix letter after the motor's date code.

**NEMA C FACE KITS
CAST IRON MOTORS**

Includes parts to convert a rigid base mounted motor to NEMA C face with base.

The C Face Kits *cannot* be used as replacements on a factory-produced C face motor.



For 150 Series and 170 Series Cast Iron Motors Only

Frame	Enclosure	C Face Kit Catalog Number	List Price	Disc. Sym.	App. Wgt. (lbs.)
143T-145T	Enclosed	163114	\$ 102	C	6
182T-184T	Enclosed	175655✱	134	C	12
213T-215T	Open	175066	134	C	15
	Enclosed	175068✱	134	C	15
254T-256T	Open	175067	206	C	25
	Enclosed	175069✓/✓	198	C	25
	Enclosed	175191	206	C	25
284T-286T	Open	175058	286	C	42
	Enclosed	175061	286	C	42
324T-326T	Open	175059✱	371	C	57
	Enclosed	175062	371	C	57
364T-365T	Open	175060	621	C	75
	Enclosed	175063	621	C	49
404T-405T	Open	175605	817	C	60
	Enclosed	175199	817	C	60
444T-445T→	Open	175606	893	C	115
	Enclosed	175664	893	C	115
447T-449T	Enclosed	175958	988	C	112

NOTE: When changing a rigid mount motor to C Face for 140T-256T frames, a non-NEMA BA dimension results.

NEMA C FACE KITS WATTS AVER® MOTORS

Special conversion kits for use exclusively on WATTS AVER® cast iron frame motors.

Frame	Enclosure	C Face Kit Catalog Number	List Price	Disc. Sym.	App. Wgt. (lbs.)
182T-184T	Enclosed	175842✱①	\$ 126	C	12
182T-184T	Enclosed	175394②	134	C	12
213T-215T	Enclosed	175869*	134	C	14
324T-326T	Open	175454	371	C	57
364T-365T	Open	175601③	621	C	75
	Enclosed	175603③	621	C	75

*Locked bearing

SHADED FRAME INDICATES CAST IRON CONSTRUCTION

Motor Accessories

BLOWER FAN KITS

These kits are used for converting 150 and 170 Series Cast Iron TEFC motors to Totally Enclosed Blower Cooled motors. Cooling per MG1.6 (IC46) The kits are designed for inverter and vector drive applications where continuous cooling is required regardless of motor shaft speed. The kit is mounted on the back of the motor after removing the fan guard and fan. Modifying the shaft is not required.



For use with Rolled Steel TEFC Motors only.

Blower Motor Voltage	Phase	NEMA Frame	Catalog Number	List Price	Disc. Sym.	CFM	App. Wgt. (lbs.)
115	1	56-145T	175876	\$613	A	115	4
115	1	182-4T	175895	687	B	115	4
115	1	213-5T	175896	717	B	235	5

ENCODER KITS

These kits include the parts and encoder for field assembly of slim-line, through-shaft encoder designed to slip over the motor's fan end shaft. Blower kit sold separately.

Output is 1024 pulses per revolution, quadrature, 5 to 28 VDC line driver output. Short-circuit protection is standard. Inputs are over voltage and reverse voltage protected. Electrical noise immunity exceeds international standards. Encoders are isolated from shaft currents using hard anodized sleeves and non metallic anti-rotation hardware. Designed for long-life in industrial environments using an all-metal, shock resistant code disk. The encoder is protected by the motor's fan cover after mounting. Using a blower fan kit is suggested for proper motor cooling.



For use with Rolled Steel/TEFC Motors only.

For NEMA Frame	Encoder Kit Catalog Number	List Price	Disc. Sym.
56-145T	175960	\$ 862	A
182-4T	175897	1249	B
213-5T	175898	1249	B

TERMINAL BLOCK KITS

Terminal block kits for 150 and 170 Series NEMA Frame Cast Iron motors. Can also be used for replacement on 193 Series Cast Iron and 192 Series aluminum IEC metric motors.



DIE CAST ALUMINUM CONDUIT BOX CONVERSION KIT

56/140-frame kit (pictured) includes die cast aluminum conduit box, cover, gaskets, grounding screw, mounting hardware and adapter plate for mounting box on existing holes in motor. 180 and 210-frame kits include all parts required to replace the conduit box including the die cast conduit box, plug, cover, gaskets and mounting hardware. No adapter plate is required because these kits mount on existing holes. All conduit boxes have 1/2-NPT tapped lead exit holes on two adjacent sides with one hole plugged. Note: the kit will not work with larger HP single-phase 210-frame motors.



EXPLOSION-PROOF CONDUIT BOX

UL and CSA listed for Class I, Group C & D, and Class II, Groups E, F & G locations. Has grounding screw and all hardware provided. Mounts to motor by 3/4"-14NPT opening at rear of box. For NEMA 56 & 143-5T frame motors only. Box number 175755 has a 1" NPT thread.



For use with 150 & 170 Series Cast Iron TEFC Motors only.

Blower Motor Voltage	Phase	NEMA Frame	Catalog Number	List Price	Disc. Sym.	CFM	App. Wgt. (lbs.)
115	1	182-4T	175674	\$687	C	260	10
115	1	213-5T	175675	717	C	260	11
115	1	254-6T	175676	771	C	260	17
115	1	284-6T	175677	927	C	500	24
115	1	324-6T	175678	987	C	500	28
230/460	3	360T	175879	1944	C	500	35
230/460	3	400T	175880	2039	C	500	45
230/460	3	440T	175558	2333	C	500	55

☛ For 444T/445T motors

For use with 150 & 170 Series Cast Iron TEFC Motors only.

For NEMA Frame	Encoder Kit Catalog Number	List Price	Disc. Sym.
182-4T	175684	\$1068	C
213-5T	175685	1068	C
254-6T	175686	1726	C
284-6T	175687	1726	C
320T	175641	1760	C
360T	175642	1760	C
400T	175643	1760	C
440T (2 pole)	175644	1760	C
440T (4/6 pole)	175645	1760	C

NEMA Frame	IEC Frame	Catalog Number	List Price	Disc. Sym.	App. Wgt. (lbs.)
—	63-90L	175881 *	\$ 13	A	1
180/210T	100/112/132	175668	30	C	2
250/280T	160/180	175667	32	C	3
320/360T	200/225	175666	49	C	4
400/440T	250/280	175665	76	C	5

* Replacement terminal board for aluminum frame IEC motors.

NEMA Frame	Catalog Number	List Price	Disc. Sym.	App. Wgt. (lbs.)
56-140T	175892	\$ 57	A	2
182-4T	175649	68	A	2
213-5T	175847	84	C	11

Catalog Number	List Price	Disc. Sym.	App. Wgt. (lbs.)
175026	\$ 77	A	2
175755 (1)	77	A	2

(1) For motors having a letter P after the date code.

SHADED FRAME INDICATES CAST IRON CONSTRUCTION

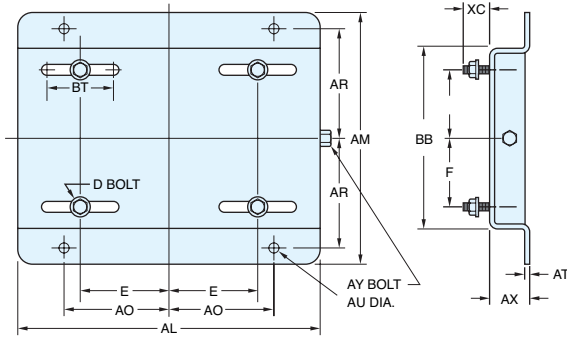
Catalog numbers in blue are NEW items.

Motor Accessories

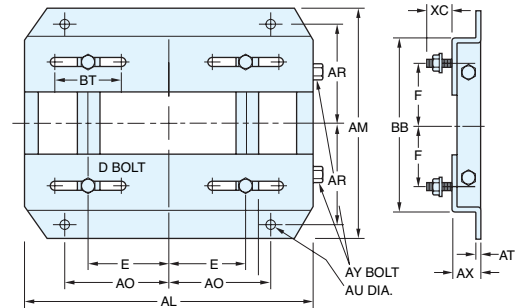
ADJUSTABLE MOTOR BASES—NEMA 48-447T FRAMES

Heavy gauge steel mounting bases simplify the installation of motors and make the tensioning, maintenance and replacement of belts a simple efficient task. Fabricated from sheet or steel plate, then primed and finished in a gray rust and corrosion resistant oven-baked finish. Gussets and

reinforcing channels on larger units and continuous seam welding on all units give these bases strength and durability for a long life. A single (215T frame and smaller) or double (NEMA 254T frame and larger) zinc plated adjusting screw is provided. Motor mounting bolts are included.



NEMA 48 thru 215T



NEMA 254T thru 447T

Frame	Catalog Number	List Price	Disc. Sym.	AL	AM	AX	BB	E	F	AO	AR	AU**	BT	AT	XC	D* Bolt	AY Bolt	App. Wgt. (lbs.)
48	175032	\$ 59	A	10	6 1/4	1 1/8	4 1/4	2 1/8	1 3/8	3 1/2	2 3/4	3/8	3	.078	7/8	5/16 x 1	3/8 x 4	2
56	175033	59	A	10 5/8	6 1/2	1 1/8	4 1/2	2 7/16	1 1/2	3 13/16	2 7/8	3/8	3	.078	7/8	5/16 x 1	3/8 x 4	3
143T	175034	69	B	10 1/2	7 1/2	1 1/8	5 1/2	2 3/4	2	3 3/4	3 3/8	3/8	3	.119	1 9/16	5/16 x 1	3/8 x 4	5
145T	175035	69	B	10 1/2	8 1/2	1 1/8	6 1/2	2 3/4	2 1/2	3 3/4	3 7/8	3/8	3	.119	1 9/16	5/16 x 1	3/8 x 4	6
182T	175036	90	B	12 3/4	9 1/2	1 1/2	6 1/2	3 3/4	2 1/4	4 1/2	4 1/4	1/2	3	.134	1 1/2	3/8 x 1 3/4	1/2 x 5	9
184T	175037	90	B	12 3/4	10 1/2	1 1/2	7 1/2	3 3/4	2 3/4	4 1/2	4 3/4	1/2	3	.134	1 1/2	3/8 x 1 3/4	1/2 x 5	9
213T	175038	111	C	15	11	1 3/4	7 1/2	4 1/4	2 3/4	5 1/4	4 3/4	1/2	3 1/2	.164	1 1/2	3/8 x 1 3/4	1/2 x 5	13
215T	175039	111	C	15	12 1/2	1 3/4	9	4 1/4	3 1/2	5 1/4	5 1/2	1/2	3 1/2	.164	1 1/2	3/8 x 1 3/4	1/2 x 5	15
254T	175040	170	C	17 3/4	15 1/8	2	10 3/4	5	4 1/8	6 1/4	6 5/8	5/8	4	3/16	1 7/16	1/2 x 1 3/4	5/8 x 6	17
256T	175041	170	C	17 3/4	16 7/8	2	12 1/2	5	5	6 1/4	7 1/2	5/8	4	3/16	1 7/16	1/2 x 1 3/4	5/8 x 6	18
284T	175042	185	C	19 3/4	16 7/8	2	12 1/2	5 1/2	4 3/4	7	7 1/2	5/8	4 1/2	3/16	1 11/16	1/2 x 2	5/8 x 6	21
286T	175043	185	C	19 3/4	18 3/8	2	14	5 1/2	5 1/2	7	8 1/4	5/8	4 1/2	3/16	1 11/16	1/2 x 2	5/8 x 6	22
324T	175044	245	C	22 3/4	19 1/4	2 1/2	14	6 1/4	5 1/4	8	8 1/2	3/4	5 1/4	3/16	2 3/16	5/8 x 2 1/2	3/4 x 9	31
326T	175045	245	C	22 3/4	20 3/4	2 1/2	15 1/2	6 1/4	6	8	9 1/4	3/4	5 1/4	3/16	2 3/16	5/8 x 2 1/2	3/4 x 9	32
364T	175046	322	C	25 1/2	20 1/2	2 1/2	15 1/2	7	5 5/8	9	9 1/8	3/4	6	1/4	2 1/16	5/8 x 2 1/2	3/4 x 9	44
365T	175047	322	C	25 1/2	21 1/2	2 1/2	16 1/2	7	6 1/8	9	9 5/8	3/4	6	1/4	2 1/16	5/8 x 2 1/2	3/4 x 9	45
404T	175048	580	C	28 3/4	22 3/8	3	16 1/2	8	6 1/8	10	9 7/8	7/8	7	1/4	2 1/2	3/4 x 3	3/4 x 11	60
405T	175049	580	C	28 3/4	23 7/8	3	18	8	6 7/8	10	10 5/8	7/8	7	1/4	2 1/2	3/4 x 3	3/4 x 11	61
444T	175088	717	C	31 1/4	24 5/8	3	19 1/4	9	7 1/4	11	11	7/8	7 1/2	1/4	2 1/2	3/4 x 3	3/4 x 11	68
445T	175089	717	C	31 1/4	26 5/8	3	21 1/4	9	8 1/4	11	12	7/8	7 1/2	1/4	2 1/2	3/4 x 3	3/4 x 11	73
447T	175090	792	C	31 1/4	30 1/8	3	24 3/4	9	10	11	13 3/4	7/8	7 1/2	5/16	3	3/4 x 3 1/2	3/4 x 11	92
449T	175302	792	C	31 1/4	35 1/8	3	29 3/4	9	12 1/2	11	16 1/4	7/8	7 1/2	5/16	3	3/4 x 3 1/2	3/4 x 11	95

* Motor mounting bolt diameter and length, four supplied with each base.
 ** Base mounting bolts, four required—not supplied with base.

NOTE: These bases are not suitable for vertical mounting. All dimensions in inches.

TRANSITION BASES

Transition bases compensate for the difference in mounting dimensions and shaft height of a rigid base NEMA T frame to the next higher NEMA U frame. This makes it possible, for example, to replace a 10 HP NEMA 254U frame motor with a 10 HP NEMA 215T frame motor without modifying the basic installation. Made of the same high-quality materials and

construction as the adjustable motor bases above. They are for horizontal mountings, shimming may be needed for direct coupled loads. Thread size listed is for mounting transition base to the "T" frame motor. Dimensions listed are for one piece—two are supplied, one for each side of the motor's foot.



Converts T Frame	To U Frame	Catalog Number	List Price	Disc. Sym.	App. Wgt. (lbs.)	Height (Inches)	Width (Inches)	Length (Inches)	Thread
143T/145T	182/184	175091	\$ 60	B	2	1	2 1/4	7 1/2	5/16-18
182T/184T	213/215	175092	87	B	3	3/4	1 3/4	9 1/2	3/8-16
213T/215T	254U/256U	175093	101	C	5	1	2 7/16	12 3/4	3/8-16
254T/256T	284U/286U	175094	143	C	8	3/4	2 3/4	14 1/4	1/2-13
284T/286T	324U/326U	175095	190	C	10	1	3 1/4	15 3/4	1/2-13
324T/326T	364U/365U	175097	241	C	13	1	3 11/16	16 1/2	5/8-11
364T/365T	404U/405U	175098	322	C	22	1	4 1/4	18 5/8	5/8-11
404T/405T	444U/445U	175127	413	C	24	1	4 1/4	21 5/8	3/4-10

**Expanded Offerings Now
Include Lincoln Motors!**



Your motor, your way...now

The Mod-Squad stands on alert ready to tailor a LEESON or Lincoln stock motor to meet your modified motor needs in a few days or less. From one modified motor up to a few—there is no faster, more versatile source for mechanically or electrically “customerized” motors.

Starting with an off-the-shelf LEESON or Lincoln motor selected from the nearly 6,000 LEESON or Lincoln stock motors, the modifications listed here can be completed in the time frame noted for each item.

INDEX TO MOTOR MODIFICATIONS

Description	Mod-Squad Number	Page
Balancing - Discontinued - See Note page 123	L1	123
Bearing Modifications	L2	123
Blower Fan Kits - WATTS AVER®	L30	133
Brakemotor Modifications - LEESON Only	L3	124
CE Marking	L24	131
Condensate Drains - Totally Enclosed Motors	L8	125
Cords, Plugs & Grounding Provisions	L5	124
Drip Cover - Open, Drip-Proof Motors	L9	126
Dynamic Braking Boards - Micro Series - LEESON Only	L28	132
Encoder Kits – WATTS AVER® & SPEEDMASTER®	L29	133
Fungus Proofing and Tropicalization	L19	130
Leads - Reconnect, Remark or Extend	L10	126
Lint-Proof Textile Service Motors - LEESON Only	L17	129
Marine Service Motors - Three Phase, Totally Enclosed	L21	130
Motor Protection	L18	130
Mountings	L12	128
Nameplates	L13	129
Paint	L14	129
Remote Keypad Option - Micro Series - LEESON Only	L25	132
Rodent Screens - LEESON Only	L15	129
Severe Duty - Cast Iron Fan Covers - LEESON Only	L7	125
Shaft Modification	L22	131
Shaft Seals	L11	126
Space Heaters, Anti-Condensation	L16	129
Switches - Power or Electronic Starting	L6	125
Tachometer Mounting Provisions - DC Motors - LEESON Only	L23	131
Terminal Blocks - NEMA Motors	L27	132
Totally Enclosed Air Over Conversion	L22	131
Weatherproofing - Three Phase, Totally Enclosed Motors	L20	130
Larger Size Conduit Box - Lincoln Only	L31	133

ORDERING INFORMATION

To order please specify the catalog number of the LEESON or Lincoln stock motor to be modified and the Mod-Squad modification catalog number or numbers desired.

An inventory of popular motors is maintained by the Modification Center for fast delivery. **However, delivery of the modified motor is governed by availability of the stock motor.** If a stock motor is shipped from a District Warehouse to the Modification Center in Indianapolis, IN, the cost of the inbound freight is added to the price of the modified motor and delivery of the modified motor will be extended by the inbound transit time.

Modification list prices are subject to the same discounts as apply to the motor. (Some motors, such as explosion-proof, may not be modified.) Days noted are working days excluding holidays and weekends—larger quantities may require additional leadtime.

MOD-SQUAD CANCELLATION POLICY

Modified motors may not be returned for credit or re-stocking. If a modification order is cancelled before shipment, a cancellation charge of double the modification charge will be invoiced to the customer. Any Mod-Squad order cancelled before modification is completed is subject to cancellation charges of 10% of total charges for that item.

Terms are net 30 days, FOB Indianapolis, IN, with freight prepaid on single shipments of 1,500 pounds or more to the first destination within the continental United States, excluding Alaska.

L1 Balancing

Two Days*

The LEESON balancing modification has been discontinued due to high costs of re-balancing by an outside firm. Contact your sales office for a quote on special or precision balanced production motors, requiring a minimum order of 10 pieces or contact a LEESON Authorized Service Center for a quote on a Special balance modification.

L2 Bearing Modifications

Two Days

#L2a Available on all motors except the Lincoln motors with NN in the NOTES column. 48, 56 and 143T-145T, Agricultural motors as well as all Washguard duty and Wash-Thru motors have sealed bearings as standard. Note! Adding sealed bearings to Motors having grease fittings may not make the bearings regreaseable. Grease fittings will be removed and plugged.

NEMA Frame	Catalog Number	List Price Per Motor
42	L2A42	\$145
48	L2A48	145
56	L2A56	145
143T-145T	L2A140	150
182T-184T	L2A180	163
213T-215T	L2A210	173
254T-256T	L2A250	305
284T-286T	L2A280	388
324T-326T	L2A320	510
364T-365T	L2A360	904
404T-405T	L2A400	936
444T-449T	L2A440	1247

#L2b Stock motors with shielded or sealed bearings – Replace standard bearings with ones having low-temperature lubricant (Beacon #325 or equivalent), with a temperature range of -75°F to +250°F. Standard lubricant has a temperature range of -20°F to +300°F and is considered a high temp lubricant for these motors. **Explosion proof motors can only be rated to a -13°F temperature.**

NEMA Frame	Catalog Number	List Price Per Motor
42	L2B42	\$145
48	L2B48	145
56	L2B56	145
143T-145T	L2B140	150
182T-184T*	L2B180	163
213T-215T*	L2B210	173

*Rolled steel, cast iron or aluminum motors

#L2c Change bearing grease on cast iron motors with open-type regreaseable bearings. Endbells and bearings are purged and repacked with low-temperature grease (Beacon #325 or equivalent) with a temperature range of -75°F to +250°F or high-temperature grease (Dow Corning DC44M or equivalent) with a temperature range of -40°F to +400°F. **Specify grease to be used.** Check with LEESON to verify the motor can operate in the temperature range required!

LEESON Only

NEMA Frame	IEC Frame	Catalog Number	List Price Per Motor
254T-256T	–	L2C250	\$280
284T-286T	160	L2C280	312
324T-326T	180	L2C320	436
364T-365T	200	L2C360	467
404T-405T	225	L2C400	747
444T-449T	250	L2C440	1027

#L2d Install insulated bearings to protect inverter-driven motors from inverter-sourced shaft voltages. **May not be installed on Division 1 or Division 2 hazardous locations.**

NEMA Frame	Catalog Number	List Price Per Motor
143T-145T	L2D140	\$361
182T-184T	L2D180	433
213T-215T	L2D215	1275
254T-256T	L2D250	1357
284T-286T	L2D280	1357
324T-326T	L2D320	1474
364T-365T	L2D360	1507
404T-405T	L2D400	1524
444T-449T	L2D440	1690

L3 Brakemotor Modifications - LEESON Only

Three Days

#L3a Convert brakemotors (TENV only) with standard enclosure brakes to weatherproof brakes by changing the disc brake. Weatherproof brakes have additional sealing and protection. Price includes cost of weatherproof brake.

#L3b Change the standard brake to one with a different torque rating. **Specify torque rating.** Standard enclosure brakes only—not weatherproof. Some torque limitations apply, specify torque rating. **List price per motor: \$255. Catalog Number L3B.**

#L3c Change Brake Coil Voltage. Change from standard coil voltage to 115 volts (for Stearns brand brakes only). **List price per motor: \$255. Catalog Number L3C.**

#L3d Install a LEESON BrakeKit. See page 46 for BrakeKits available and motors that can be converted. **Specify the catalog number of both the stock motor and the BrakeKit. List price per motor: \$255, plus cost of the BrakeKit. Catalog Number L3D.**

#L3e Remove brake from stock brakemotor for customers supplying their own brake. **List price per brakemotor: \$255. Specify Catalog Number L3E.**

#L3f Assemble double C-face coupler brake on C-face motor. MOD charge is for assembly only. Brake and motor are purchased separately. **Specify the catalog number of the stock motor and coupler brake.**

List price for assembly on 56C, 143TC, or 145TC motor and brake: \$255. Catalog Number L3F56140.

List price for assembly on 182TC, 184TC, 213TC or 215TC motor and brake: \$375. Catalog Number L3F180210.

Brake Rating	Catalog Number	List Price Per Motor
3 lb-ft	L3A3	\$639
6 lb-ft	L3A6	639
10 lb-ft	L3A10	651
15 lb-ft	L3A15	671
25 lb-ft	L3A25	739



BrakeKit Installation

L5 Cords, Plugs and Grounding Provisions

Three Days

#L5a For single phase motors, install grounded line cord of type S.O., three-conductor oil resistant cord, connected in the conduit box or terminal panel, with strain relief. No plug. **Specify cord length, voltage and shaft rotation (clockwise or counterclockwise) viewed from the drive shaft end of the motor.**

Wire Gauge	Max Amp Rating Single Phase	Catalog Number	List Price 6 ft or Less	Catalog Number	List Price Each Add'l Foot to 10 Ft. Max
16	13	L5A16	\$125	L5A16ADD	\$1.51
14	18	L5A14	131	L5A14ADD	1.90
12	25	L5A12	138	L5A12ADD	2.26

#L5b Install 6-foot grounded type S.O. cord with plug, 115VAC single phase only. **Specify cord length, shaft rotation (clockwise or counterclockwise) viewed from the drive shaft end of the motor.**

HP	Catalog Number	List Price 6 Ft. or Less	List Price Each Add'l Foot to 10 Ft. Max.
1 and smaller	L5B	\$120	\$1.51

#L5c Add an additional grounding screw to the endbell of drip-proof or totally enclosed non-ventilated NEMA 48 or 56 frame motors. Meets UL 1081 swimming pool motor grounding provisions (includes slinger). **List price per motor: \$106. Catalog Number L5C.**



Grounded Cord w/Plug

L6 Switches – Power or Electronic Starting

Three Days

#L6a On-off switch for 2 HP and smaller single phase motors only. Install double-pole, single-throw switch in the conduit box, with switch guard and a 6-foot type S.O. cord with grounded plug, **115 VAC or 230 VAC—please specify. Also specify shaft rotation (clockwise or counterclockwise) viewed from the drive shaft end of the motor.**

HP	Rating	Catalog Number	List Price Per Motor
Thru 2	16-20A/115V or 230V	L6A	\$258



On-Off Switch w/Guard

#L6b Replace mechanical centrifugal switch on single phase motors 2HP and smaller with solid-state, encapsulated, electronic starting switch. Capacitor-start, induction-run motors only. **Subject to engineering approval. List price per motor: \$270. Catalog Number L6B.**

L7 Severe Duty - Cast Iron Fan Covers - LEESON Only

Three Days

#L7a Remove steel fan guard and install a cast iron fan guard on LEESON 150 and 170 series NEMA and 193 series IEC TEFC cast iron motors to meet severe duty, mill and chemical duty specifications. Note: These motors have cast iron endbells, frame, and conduit box as standard. **Lincoln Motors has a line of Severe Duty motors that include a cast iron fan guard. List price per motor: \$1165. See page 211.**

NEMA Frame	IEC Frame	Catalog Number	List Price Per Motor
182T-184T	–	L7A180	\$271
213T-215T	–	L7A210	304
254T-256T	–	L7A250	371
284T-286T	160	L7A280	580
324T-326T	180	L7A320	600
364T-365T	200	L7A360	847
404T-405T	225	L7A400	917
444T-445T	250	L7A445	923
447T-449T	280	L7A449	942



Cast Iron Fan Cover

L8 Condensate Drains - Totally Enclosed Motors

Two Days

#L8a 215T and smaller *steel frame* motors. Drill one or two condensation drain holes on the **periphery or in the face** of each endbell of steel frame 215T frame and smaller totally enclosed motors. **Specify location in both the shaft end and opposite endbell using a drawing or clockface analogy.** When specified, a drain can be added to the face of one endbell for shaft up or down mounting.

NEMA Frame	Catalog Number	List Price Per Motor
215T and smaller	L8A40210	\$190
254T-365T	L8A250360	263
404T-449T	L8A400440	316



Condensate Drain

#L8b 182T and larger *cast iron frame* motors. Provides an additional one-way, cross-drilled stainless steel condensation drain on the periphery or in the face of each endbell. **Provide a drawing or clockface analogy for position in each endbell.**

NEMA Frame	Catalog Number	List Price Per Motor
215T and smaller	L8B40210	\$190
254T-365T	L8B250360	263
404T-449T	L8B400440	316

L9 Drip Cover – Open, Drip-Proof Motors

Two Days

#L9a Install a drip cover on steel frame motors. Price includes drip cover.

LEESON Only

NEMA Frame	Catalog Number	List Price Per Motor
48-145T	L9A40140	\$125
182T-184T	L9A180	135
213T-215T	L9A210	150



Drip Cover

#L9b Install a drip cover on cast iron motors. Price includes drip cover.

LEESON Only

NEMA Frame	Catalog Number	List Price Per Motor
182T-184T	L9B180	\$135
213T-215T	L9B210	150
254T-256T	L9B250	180

#L9c Install a drip cover on SPD, SRD and SSD Model Numbers. Not suitable for use on motors having NN in Notes column.

Lincoln Only

NEMA Frame	Catalog Number	List Price Per Motor
48-56*	L9C4856	\$125
56-145T	L9C56145	125
182T-184T	L9C182184	135
213T-215T	L9C213215	150

* Motors having a 2.18 inch bolt circle for the mounting holes

L10 Leads – Reconnect, Remark or Extend

Two Days

#L10a Re-Connect leads in the conduit box to a single voltage and/or for wye or delta connection. Most motors 444T frame and above are single voltage. **Specify voltage and connection.**

NEMA Frame	Catalog Number	List Price Per Motor
48-145T	L10A40140	\$138
182T-184T	L10A180	218
213T-215T	L10A210	289
254T-256T	L10A250	325
284T-286T	L10A280	429
324T-326T	L10A320	485
364T-365T	L10A360	485
404T-405T	L10A400	544
444T-449T	L10A440	607

#L10c Extend leads up to 42 inches longer than standard by splicing. **Specify additional length required.**

NEMA Frame	Catalog Number	List Price Per Motor
48-145T	L10C40140	\$138
182T-184T	L10C180	218
213T-215T	L10C210	289
254T-256T	L10C250	325
284T-286T	L10C280	429
324T-326T	L10C320	485
364T-365T	L10C360	485
404T-405T	L10C400	544
444T-449T	L10C440	544

#L10b Remark leads using metal markers. Any size motor. **Specify markings, letters or numbers.**
List price per motor: \$145. Specify Catalog Number L10B.

#L10d Add crimp-type terminal lugs – steel frame motors. Lugs standard on LEESON cast iron motors. **List price per motor: \$114. Specify Catalog Number L10D.**

L11 Shaft Seals

Three Days

#L11a Install an oil seal on the shaft end of 215T and smaller steel frame LEESON motors. May be installed on single, three phase or direct current motors, but not explosion-proof motors.

Catalog Number	List Price
L11A	\$362

L12 Mountings

Two Days

#L12a Add a stamped steel rigid base to steel frame motors. For 182-4T frame motors, minimum 8.50" (TEFC, rigid, C face) or 8.00" (ODP, rigid, C face) frame length is required. **LEESON Only**

NEMA Frame	Catalog Number	List Price Per Motor
42-48	L12A4248	\$145
56	L12A56	148
143T-145T	L12A140	148
182T-184T	L12A180	179
213T-215T	L12A210	218

Note: It is not possible to add a base to some three phase motors as the resulting rigid base motor will be subject to EPACT mandated efficiency values. Contact the factory.

#L12b Remove stamped steel rigid base from steel frame motors.

NEMA Frame	Catalog Number	List Price Per Motor
42-56	L12B4256	\$223
143T-145T	L12B140	223

#L12c Install a NEMA C face on steel frame motors 215T and smaller. **Specify if the rigid base is to be removed. If so, add for modification #L12b listed above. LEESON Only**

NEMA Frame	Catalog Number	List Price Per Motor
42-56*	L12C4256	\$189
143T-145T	L12C140	189
182T-184T	L12C180	205
182T-184T**	L12C180U	205
213T-215T	L12C210	253

* Adding a 48 C-Face results in a non-NEMA BA dimension.

** Convert a 182T-184T frame motor to have a C-face dimensions of a 143T-145T or 182U-184U frame motor (AJ = 5 7/8", AK = 4 1/2"). The shaft dimensions and base location will not change.

#L12d Install a NEMA C face to 150 or 170 series cast iron motors. **The rigid base cannot be removed from these cast iron frame motors (non-800 Series). LEESON Only**

NEMA Frame	Catalog Number	List Price Per Motor
182T-184T	L12D180	\$340
213T-215T	L12D210	369
254T-256T	L12D250	469
284T-286T	L12D280	567
324T-326T	L12D320	735
364T-365T	L12D360	798
404T-405T	L12D400	873
444T-445T	L12D440	1072
447T-449T	L12D4479	1133

#L12e Install a NEMA D flange to open or totally enclosed motors of steel frame construction in 182-4T frame and cast iron 150 and 170 series motors in 213T frames through 365T frame. Steel rigid base can be removed from steel frame 182-4T frame motors. **Specify and add for modification L12b. Rigid base cannot be removed from cast iron frame motors. LEESON Only**

NEMA Frame	Catalog Number	List Price Per Motor
182T-184T	L12E180	\$340
213T-215T	L12E210	369
254T-256T	L12E250	469
284T-286T	L12E280	567
324T-326T	L12E320	735
364T-365T	L12E360	798
404T-405T	L12E400	1070
444T-445T	L12E440	1393

#L12f Convert standard F1 motors to F2, sidewall or ceiling mounting. Consists of repositioning the endbell vents and condensation drains where applicable and the conduit box lead hole. Note: If brakemotor, brake knob will be located at 6 o'clock.

NEMA Frame*	Catalog Number	List Price Per Motor
56-184T	L12F56180	\$289
213T-215T	L12F210	314
254T-326T	L12F250320	375
364T-449T	L12F360449	485

* Three phase only; single phase motors cannot be converted. Explosion proof motors are also approved for this factory modification.

#L12g Rotate standard conduit box position by 90° increments. **Specify by clock face, i.e. 9 o'clock, 12 o'clock, etc. for position (viewed from shaft end).** Consists of repositioning the endbell vents and condensation drains where applicable and the conduit box lead hole. Note: If brakemotor, brake knob will be rotated 90° from conduit box. **This mod. can no longer be offered on the 180 and 210 frame motors for the bases of these motors can no longer be removed without damaging the motor.**

NEMA Frame*	Catalog Number	List Price Per Motor
56-145T	L12G56140	\$289

* Three phase rolled steel only; single phase motors cannot be converted.

More L12 mountings on next page.



L12 Mountings

Two Days

#L12h Install a metric (IEC) B5 flange to 190 series cast aluminum or cast iron AC motors and DC steel frame motors. **LEESON Only**

IEC Frame	Catalog Number	List Price Per Motor
63	L12H63	\$184
71	L12H71	190
71(DC)	L12HD71	190
80	L12H80	197
80 (DC)	L12HD80	197
90	L12H90	200
90 (DC)	L12HD90	200
100	L12H100	220
112	L12H112	228
100/112/(DC)	L12HD100112	228
132	L12H132	258
160	L12H160	369
180	L12H180	421
200	L12H200	523
225	L12H225	668

#L12j Install a metric (IEC) B14 face to 190 series cast aluminum or cast iron AC motors and DC steel frame motors. **LEESON Only**

*Note: C-face kit (B14) not available in NEMA frame 180.

IEC Frame	Catalog Number	List Price Per Motor
63	L12J63	\$178
71	L12J71	184
71 (DC)	L12JD71	184
80	L12J80	189
80 (DC)	L12JD80	189
90	L12J90	196
90 (DC)	L12JD90	196
100	L12J100	214
112	L12J112	220
100/112 (DC)	L12JD100112	220
132	L12J132	252
160	L12J160	362

#L12k Reposition feet and nameplate (to relocate conduit box) on AC aluminum-frame IEC motors (63 thru 90L frame). **LEESON Only**

IEC Frame	Catalog Number	List Price Per Motor
63	L12K63	\$129
71	L12K71	137
80	L12K80	145
90	L12K90	182

#L12l Install C-Face. For motors having AF/AAF in the model number.

Lincoln Only

NEMA Frame	Catalog Number	List Price Per Motor
182T-184T	L12L182184	\$205
213T-215T	L12L213215	253
254T-256T	L12L354256	285
284T-286T	L12L284286	320

#L12m Install C-Face. For motors having SRF in the model number.

Lincoln Only

NEMA Frame	Catalog Number	List Price Per Motor
56 (203 brg)	L12M56203	\$189
56 (205 brg)	L12M56205	189

#L12n Install C-Face. For motors having SSF in the model number.

Lincoln Only

NEMA Frame	Catalog Number	List Price Per Motor
143-145T	L12N143145	\$189
182-184T	L12N182184	205
213-215T	L12N213215	253

#L12o Install C-Face. For motors having SF in the model number, having a cast iron endbell.

Lincoln Only

NEMA Frame	Catalog Number	List Price Per Motor
324T/TS-326T/TS	L12O324326	\$735
364T/TX-365T/TS	L12O364365	798
404T/TS-405T/TS	L12O404405	873
444T/TS-445T/TS	L12O444445	1072
447T/TS-449T/TS	L12O447449	1133

#L12p Install C-Face. For motors having CCN in the model number.

Lincoln Only

NEMA Frame	Catalog Number	List Price Per Motor
143-145T	L12P143145	\$189

#L12q Install C-Face. For motors having CCF in the model number.

Lincoln Only

NEMA Frame	Catalog Number	List Price Per Motor
143T-145T	L12Q143145	\$189
182T-184T	L12Q182184	340
213T-215T	L12Q213215	369
254T-256T	L12Q254256	469
284T-286T	L12Q284286	567
342T-326T	L12Q324326	735

#L12r Install C-Face. For motors having CCS in the model number.

Lincoln Only

NEMA Frame	Catalog Number	List Price Per Motor
143T-145T	L12R143145	\$189
182T-184T	L12R182184	340
213T-215T	L12R213215	369
254T-256T	L12R254256	469
284T/TS-286T/TS	L12R284286	567
342T/TS-326T/TS	L12R324326	735
364T/TS-365T/TS	L12R364365	798
404T/TS-405T/TS	L12R404405	873
444T/TS-445T/TS	L12R444445	1072

L13 Nameplates

Three Days

#L13a Provide an extra motor nameplate-unmounted. Add customer part number or change to other voltage or frequency service. **Unmounted nameplates are not available for explosion-proof motors.**

Note: Markings for UL and CSA cannot be included on unmounted nameplates that are shipped loose and not installed on a motor. List price: \$104.^① Add \$1 (net) for each additional aluminum nameplate ^②: Add \$2 (net) for each additional stainless steel nameplate.^② Catalog Number L13A.

#L13b Replace, existing nameplate. Add customer part number or change to other voltage or frequency service and mount to motor. **List price per motor: \$125.^①**

Note: Not available for motors that are all stainless steel construction.

#L13c Replace standard aluminum nameplate with stainless steel nameplate. LEESON cast iron, WASHGUARD and severe duty motors have stainless steel nameplates as standard. **List price per motor: \$125.^① Add \$2 (net) for each additional stainless steel nameplate.^②**

^① Must specify catalog number and date code of motor's existing nameplate.

^② Additional nameplates must be identical.

L14 Paint

Two Days*

#L14a Repaint motor to another LEESON or Lincoln stock paint color. A sample of choices include LEESON blue, white epoxy, farm duty red, light gray epoxy, black, or black epoxy.

For Lincoln motors, your choices include: Lincoln gray, severe duty blue, black or gloss white. Not available on Lincoln Wash-thru motors. **Specify color.**

***Note:** Epoxy paint requires extra curing time. Please allow one additional day.

	Frame	Catalog Number	List Price Per Motor
NEMA	42-215T	L14A40210	\$125
NEMA	254T-365T	L14A250360	252
NEMA	404T-449T	L14A400440	404
IEC	63-90	L14A6390	125
IEC	100-225	L14A100225	253

L15 Rodent Screens - LEESON Only

Two Days

#L15a Add rodent screens to open drip-proof motors, cast iron and steel frame, 326T and smaller.

NEMA Frame	Catalog Number	List Price Per Motor
182T-S213T	L15A40210	\$198
254T-286T	L15A250280	452
324T-326T	L15A320	608

L16 Space Heaters, Anti-Condensation

Five Days

#L16a Add anti-condensation space heaters to totally enclosed or open motors. Standard space heater voltage is 115 VAC. **Heaters for 230 or 460 VAC are available. Specify circuit voltage.** May be installed in single, three phase or direct current motors. **Explosion proof motors are now included. Washdown duty motors are not included.**

NEMA Frame	Catalog Number	List Price Per Motor
145T and smaller	L16A40140	\$275
182T-215T	L16A180210	348
254T-365T	L16A250360	520
404T-449T	L16A400440	682

L17 Lint-Proof Textile Service Motors - LEESON Only

Two Days

#L17a Convert a standard totally enclosed-fan cooled motor to textile service by modifying the fan cover to reduce "snagging" of lint and reduction in cooling air for the motor. Price includes kit cost.

NEMA Frame	Catalog Number	List Price Per Motor
56-145T	L17A40140	\$252
182T-184T	L17A180	330



Lint-Proof Kit



L18 Motor Protection

Two Days

#L18a Thermostats on the winding. Install one or more thermostats in the windings of NEMA frame AC motors on the brush plate of DC motors or on the inside of frame on Sub-FHP DC motors. These are pilot or signal devices only, to be used in series with a motor controller or starter to remove power from the motor. Red color leads are brought into the conduit box. **Specify normally open or closed contacts.** Normally closed thermostats connected in series. Thermostats cannot be installed in explosion-proof motors.

Type	NEMA Frame	Catalog Number	List Price Per Motor	No. of Devices
Single Phase	All	L18AS40210	\$157	1
Three Phase	42-215T	L18AT40210	179	2
Three Phase	254T-365T	L18AT250360	485	2
Three Phase	404T-449T	L18AT400440	607	2
Direct Current	42-56	L18AD4056	179	1

#L18b For a motor equipped with a thermal overload, exchange a manual or automatic reset thermal overload to the opposite style. Delivery is dependent upon availability of the thermal overload. **LEESON Only**

NEMA Frame	Catalog Number	List Price Per Motor
48-56	L18B4056	\$198
143T-145T	L18B140	202
182T-184T	L18B180	232
213T-215T	L18B210	324

Note: Automatic thermal overloads return power to the motor automatically after cooling-off. Automatic thermal overloads should not be used in installations where a sudden restart could cause injury.

#L18c Thermistors on the winding. As standard, three (3) thermistors are furnished, one per phase. As the critical temperature of the motor's winding is reached, the resistance of the thermistor changes radically, causing operation of a control relay. Not available on washdown duty motors or medium voltage motors.

Type	NEMA Frame	Catalog Number	List Price Per Motor	No. of Devices
Three Phase	42-215T	L18CT40210	\$201	3
Three Phase	254T-365T	L18CT250360	507	3
Three Phase	404T-449T	L18CT400440	629	3

Note: Thermostat and Thermistor Descriptions:

Thermostats are made of two or three different metal strips that each expand at different rates when heated. They are sandwiched together to make a laminated strip, with a set of electrical contacts at one end securely mounted to a platform. When the strip is heated it warps and the contacts open as a threshold temperature is exceeded. Thermostats are reliable, noise immune and easily configured into control schemes. Typically, inverter-duty motors have thermostats as standard equipment.

Thermistors are conductive ceramic materials, whose resistance remains relatively constant over a broad temperature range, then changes abruptly at a design threshold point, creating essentially a solid-state thermal switch. Attached control modules register this abrupt resistance change and produce an amplified output signal, usually a contact closure or fault trip annunciation. Thermistors are more accurate and faster responding than thermostats.

L19 Fungus Proofing and Tropicalization

Two Days

#L19a Special treatment of the motor's windings and mechanical parts to resist tropical environments. **Not available on brakemotors, washguard duty motors and explosion proof motors.**

NEMA Frame	Catalog Number	List Price Per Motor AC	DC
42-215T	L19A40210	\$208	\$208
254T-365T	L19A250360	303	—
404T-449T	L19A400440	483	—

L20 Weatherproofing – Three Phase, Totally Enclosed Motors*

Five Days

#L20a Treatment of mechanical and electrical components of LEESON steel frame totally enclosed motors to resist weather in application outside or in high-moisture conditions. NOTE: LEESON 150 and 170 series cast iron motors are weatherproofed as standard. LEESON WASHGUARD motors are also well-suited for outside and high-moisture applications. **Not available on brakemotors or explosion proof motors.**

NEMA Frame	Catalog Number	List Price Per Motor AC	DC
42-215T	L20A40210	\$204	\$204

* For single phase weatherproofed motors, see WASHGUARD motors on pages 28 and 35.

L21 Marine Service (IEEE 45) Motors – Three Phase, Totally Enclosed - LEESON Only

Five Days

#L21a Treatment of mechanical and electrical components for application below deck aboard ships. Meets IEEE 45 marine specifications. Includes die cast conduit box with tapped lead hole and nameplate stamped 50°C ambient and marked IEEE 45. Standard LEESON blue epoxy paint will be applied unless otherwise specified. Not available on brakemotors and subject to engineering approval. Not available in 42 and 48 frame sizes for no kit is available to change conduit box to have a tapped hole.

NEMA Frame	Catalog Number	List Price Per Motor AC	DC
56-215T	L21A40210	\$208	\$208
254T-365T	L21A250360	351	—
404T-405T	L21A400	520	—
444T-449T	L21A440	657	—

L22 Shaft Modifications

Five Days

#L22a Drill and tap one hole in either end of motor's shaft or mill a flat on the drive end shaft extension. **Provide details of hole or flat with the order.** List price is per modification. For example, a motor modified by adding a tapped hole and flat would be priced by adding the list price twice.

NEMA Frame	Catalog Number	List Price Per Modification
42-145T	L22A40140	\$188
182T-184T	L22A180	198
213T-215T	L22A210	309

#L22b TEFC to air-over service. Convert a motor from totally enclosed, fan cooled construction to totally enclosed, air-over service by removing fan cover and fan and cutting off the fan end shaft. The modified motor must be mounted in the air stream of the driven fan for cooling purposes.

NEMA Frame	Catalog Number	List Price Per Modification
42-145T	L22B40140	\$188
182T-184T	L22B180	198
213T-215T	L22B210	275

L23 Tachometer Mounting Provisions – DC Motors - LEESON Only

Five Days

#L23a Add a tachometer mounting kit to NEMA frame size Direct Current motors. See page 81 for availability of tachometer mounting kits. Does not include tachometer. For TEFC motors only.

NEMA Frame	Catalog Number	List Price For Kit & Mounting
S56	L23AS56	\$362
SS56	L23ASS56	450
56/145T	L23A56140	466



Tach Kit Adaptor

L24 CE Marking*

Five Days

#L24 Modify motor to comply with the nameplate designation, lead markings and connection diagrams required by the IEC34 motor specification. Modification includes a nameplate with the CE logo or a separate CE decal and a CE Declaration of Conformity document. Not available on DC motors below 75 V.D.C. **LEESON Only**

Catalog Number	List Price per motor
L24	\$174



#L24b CE Marking Kit - Includes new nameplate with data in IEC34 format, lead markers for IEC lead designations, a connection diagram, and a CE Declaration of Conformity document. The nameplate will have the CE logo, or a CE decal will be provided. **LEESON Only**

Catalog Number	List Price per motor
L24B	\$104

*CE Marking is typically required for motors being shipped to Europe where 50Hz power is standard. For this reason, CE Marking includes adding 50Hz data to the motor nameplate. Not all motors can be used with 50Hz power – especially single-phase motors with centrifugal switches. Contact LEESON to verify acceptability for CE Marking.

#L24c Modification includes larger than standard Steel terminal box. CS models normally have a cast iron box. Blower motor on TEBC CTAC models, 284T frame and larger, is not CE compliant. Useable on 380 to 575V motors. Price includes terminal strip suitable for six connections and grounding lug. CE decal to be provided. CD Declaration of Conformity are available upon request. **Lincoln Only**

NEMA Frame	Catalog Number	List Price For Kit & Mounting
143T-145T	L24C140	\$197
182T-184T	L24C180	197
213T-215T	L24C210	197
254T-256T	L24C250	219
284T-286T	L24C280	282
324T-326T	L24C320	282
364T-365T	L24C360	648
404T-405T	L24C400	648
444T-445T	L24C440	969
447T-449T	L24C447449	1058

Contact your local sales office for Lincoln CE kits.

**L25 Micro Series Inverter - Remote Keypad
Option - LEESON Only**

Two Days

#L25 A remote keypad for Micro Series inverters is available only as a factory installed option. The keypad is mounted in a gasketed steel faceplate that must be mounted in an enclosure for protection. An inverter modified for remote operation can only be operated from the remote keypad. Price includes remote keypad, faceplate, cable and factory modification charges. **Not available on Washguard Duty Inverters.** See page 119 for Remote Keypad kits for the Sub-Micro Series Inverters.



Catalog Number	List Price	Description
L25A25	\$423	Keypad with 2.5 foot cable
L25A50	462	Keypad with 5 foot cable
L25A100	541	Keypad with 10 foot cable

L27 Terminal Blocks – NEMA Motors - LEESON Only

Five Days

#L27a Add a terminal block in the conduit box of rolled steel motor from 56 to 215T-frame. Install ring terminals on the motor leads.

- Conduit box on 56-frame motors will be changed to a longer version to accommodate the terminal board.
- Use with single-phase or three-phase motors with no protector.
- Specify connection voltage and direction of rotation for single-phase.
- Not intended for 56, 143T & 145T-frame TENV or ODP motors that have a built-in conduit box. Contact LEESON for the suitability of adding a terminal board to one of these motors.
- Cannot be added to WASHGUARD Duty motors.

NEMA Frame	Catalog Number	List Price Per Modification
56/143T/145T	L27A56140	\$204
182T/184T/S213T	L27A180	228
213T-215T	L27A210	250

#L27b Install a terminal block kit in the conduit box of a cast iron NEMA frame motor. Price includes kit. (IEC motors have a terminal block installed as standard.)

NEMA Frame	Catalog Number	List Price Per Modification
180/210T	L27B180210	\$250
250/280T	L27B250280	296
320/360T	L27B320360	340
400/440T	L27B400440	447

**L28 Dynamic Braking Board – Micro Series
Drives - LEESON Only**

Two Days

#L28 Install Dynamic Braking board in Micro Series drive. Note: Does not include Dynamic Braking resistor, which is ordered as a separate line item. See Micro Series accessory section of catalog for resistor selection. See page 118 for Dynamic Brake kits for the Sub-Micro Series inverters.

HP Rating	Voltage	Catalog Number	List Price Per Modification
1/2 - 3HP	All	L28A174184	\$818
5HP	200-230V	L28A174185	857
5HP	460-480V	L28A174185	857
5HP	550-575V	L28A174184	818
7 1/2HP	200-230V	L28A174192	806
7 1/2HP	460-480V	L28A174193	806
7 1/2HP	550-575V	L28A174193	806
10-60HP	All	L28A174192	806



L29 Encoder Kits – WATTSAYER® & SPEEDMASTER® Motors

Two Days

#L29a Assemble a stock Encoder Kit on a WATTSAYER® motor. Price is for assembly only. Motor and kit are purchased separately. Specify motor and kit numbers. Note: The assembly of an encoder kit on a WATTSAYER® motor requires the removal of the external fan. The use of a Blower Fan Kit is strongly encouraged for proper cooling! For TENV applications, contact LEESON with application details. LEESON Only

Table with 3 columns: NEMA Frame, Catalog Number, List Price Per Modification. Rows include 56-215T (L29A56215, \$219) and 254T-324T (L29A250320, 355).

#L29b Assemble a stock Encoder Kit on a SPEEDMASTER® motor. Includes assembly of conduit box kit ECB175926 on 215T-449T frame motors. Price is for assembly only. Motor and kits are purchased separately. Specify motor and kit numbers. LEESON Only

Table with 3 columns: NEMA Frame, Catalog Number, List Price Per Modification. Rows include 143T-215T (L29B140210, \$155), 254T-365T (L29B250360, 330), and 404T-449T (L29B400440, 504).

#L29c Available on Inverter Duty CTAC Motors that have Model Number ending with Q10. Price is for assembly only. Encoder kit, Mounting kit and Motor sold separately. Lincoln Only

Table with 3 columns: NEMA Frame, Catalog Number, List Price Per Modification. Rows include 56-215T (L29C56210, \$155), 254T-365T (L29C250360, 330), and 404T-445T (L29C400440, 504).

L30 Blower Fan Kits – WATTSAYER® Motors

Two Days

#L30b Install a blower fan kit on a WATTSAYER® motor. Price is for assembly only. Motor and kit are purchased separately. Specify motor and kit numbers. LEESON Only

Table with 3 columns: NEMA Frame, Catalog Number, List Price Per Modification. Rows include 56-215T (L30B56210, \$155), 254T-326T (L30B250320, 269), and 360T-440T (L30B360440, 373).

L31 Conduit Box Kits – Larger Size - Lincoln Only

#L31a Install larger size conduit box. AF, MD, SD and SF Model Numbers, S and H Efficiency Codes

Table with 3 columns: NEMA Frame, Catalog Number, List Price Per Modification. Rows include 213T-215T (L31A213215, \$133), 254T-256T (L31A254256, 150), 284T-286T (L31A284286, 162), 324T-326T (L31A324326, 184), 364T-365T (L31A363365, 215), and 404T-405T (L31A404405, 396).

#L31b Install larger size conduit box. AF, AAF, CF, CS, CP, SD and SF Model Numbers, P and B Efficiency Codes

Table with 3 columns: NEMA Frame, Catalog Number, List Price Per Modification. Rows include 143T-184T (L31B143184, \$122), 213T-215T (L31B213215, 133), 254T-256T (L31B254256, 150), 284T-286T (L31B284286, 162), 324T-326T (L31B324326, 184), 364T-365T (L31B364365, 215), 404T-405T (L31B404405, 282), and 444T-445T (L31B444449, 405).

Mod-Squad™

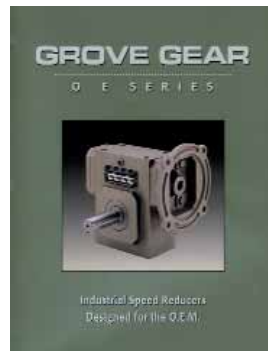
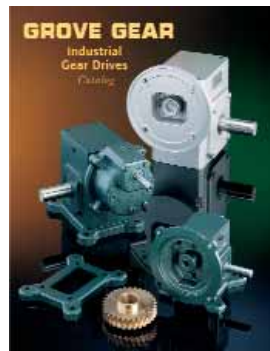


For additional information, reference the **LEESON 8050 Catalog**



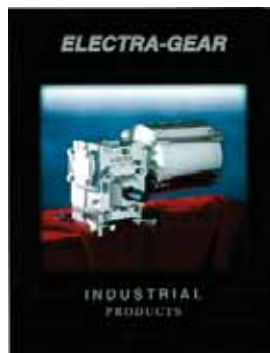
GROVE GEAR

For additional information, reference the **Grove Gear Industrial Gear Drives catalog and OE SERIES catalog**



ELECTRA-GEAR

For additional information, reference the **Electra-Gear Industrial Products Catalog**



Two Premium Brands Unite



Combining the premium features of the LEESON IRONMAN with the industry's broadest worm gear product offering of Grove Gear to create the world's most preferred worm gear reducer line.

Available later in 2008

ELECTRA-GEAR

Already pronounced as an industrial leader in aluminum worm reducers, Electra-Gear will announce a new, innovative design later in 2008 utilizing the premium features of the Grove Gear IRONMAN product in a robust, aluminum, single-piece housing. The new design is a direct dimensional interchange to well-know cast iron brands, including Grove Gear, LEESON, Boston and more.

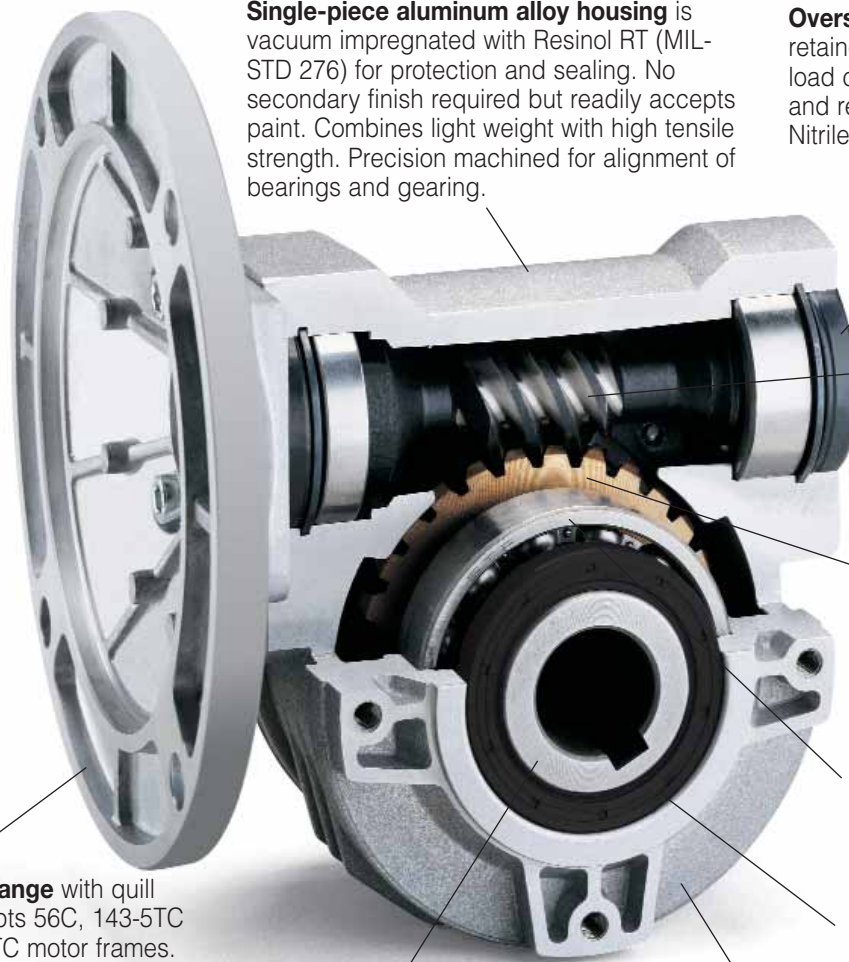


Current Design



Preliminary Design

Lightweight, Aluminum



Single-piece aluminum alloy housing is vacuum impregnated with Resinol RT (MIL-STD 276) for protection and sealing. No secondary finish required but readily accepts paint. Combines light weight with high tensile strength. Precision machined for alignment of bearings and gearing.

Oversized bearings support positively-retained, high speed shaft for higher shock load capacity — ideal for frequent starting and reversing applications. Premium, Nitrile[®] high temperature seals each end.

Single-piece alloy steel input shaft and worm shaft. High helix angle worm is case-hardened (Rc 58-60), ground, teeth are profiled and radiused, for noise reduction and enhanced efficiency.

Bronze alloy worm gear is centrifugally cast onto an iron hub for maximum strength, lubricity and superior life.

Oversized bearings for radial load capability and maximum hollow output shaft diameters.

Premium, high-temperature Nitrile[®] output seals.

Impregnated and machined bearing caps with exterior machined surfaces mate to a variety of mounting accessories. Extra-deep thread engagement provided for greater support strength. Zinc plated hardware. No need to remove bearing covers to mount/change accessory kits.

** 534 Series is filled with Mobil SHC 634 synthetic oil. Operating temperature range of 534 Series is -25°F to +220°F (-32°C to +104°C)

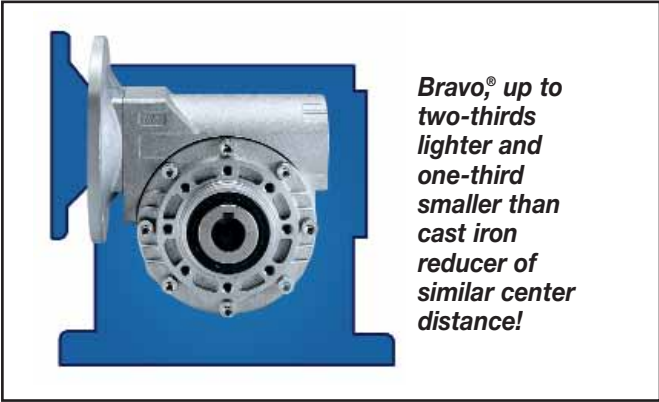
NEMA C flange with quill input accepts 56C, 143-5TC and 182-4TC motor frames.

or

B5 & B14 IEC metric flange options with quill input accepts D56, D63, D71, D80, D90, D100 and D112 motor frames.

Hollow output shaft mounting is standard at no extra cost. Reduces total drive envelope size, weight and cost. Solid shaft single and double output is available.

Gearing Overview



Bravo[®] up to two-thirds lighter and one-third smaller than cast iron reducer of similar center distance!



oil free **
vent free **

Vent Free Design.
No breather or vents to leak! Factory lubricated for life with synthetic, semi-fluid gear lubricant with an operating range of +5°F to +220°F (-15°C to +104°C).

Alternatives for Machine Designers



REMOVABLE INSPECTION COVER allows periodic inspection of gearing during routine maintenance.

RATIOS UP TO 63:1 in two-stage units and up to 278:1 in three-stage units to maximize efficiency and reduce overall case size.

SINGLE-PIECE ALUMINUM ALLOY HOUSING vacuum impregnated with Resinol RT (MIL-STD 276) for protection and sealing. No secondary finish required but readily accepts paint. Combines light weight with high tensile strength. Precision machined for alignment of bearings and gearing.

ROBUST OUTPUT SHAFT of high strength steel alloy for superior torque and overhung load capacities.

PREMIUM VITON® SEALS provide extra protection against entry of contaminants or loss of lubricant. Tandem seals available on input and output.

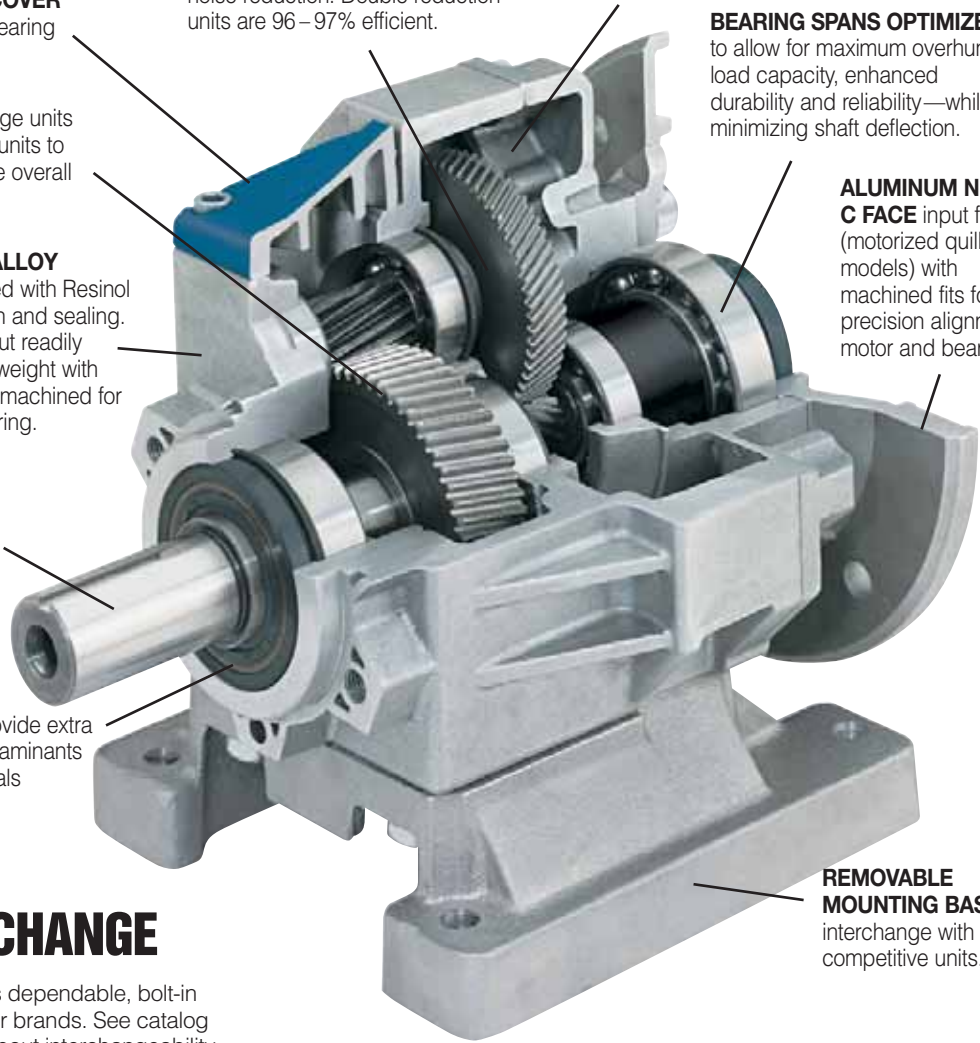
ALL GEARING IS HARDENED AND GROUND (AGMA Class 10 or better), for enhanced efficiency and noise reduction. Double reduction units are 96–97% efficient.

LeCENTRIC REDUCERS ARE FILLED WITH MOBILGEAR SHC 320 SYNTHETIC OIL as standard. All sizes are considered “lubed for life.” Specify mounting position at time of order.

BEARING SPANS OPTIMIZED to allow for maximum overhung load capacity, enhanced durability and reliability—while minimizing shaft deflection.

ALUMINUM NEMA C FACE input flange (motorized quill input models) with machined fits for precision alignment of motor and bearings.

REMOVABLE MOUNTING BASE allows interchange with dozens of competitive units.



DIRECT INTERCHANGE

LeCENTRIC reducers serve as dependable, bolt-in replacements for many popular brands. See catalog 7050 for specific information about interchangeability.

	FOOT MOUNT	OUTPUT FLANGE MOUNT
SEW	✓	✓
Bonfiglioli	✓	✓
Brook Hansen	✓	✓
Browning	✓	✓
David Brown	✓	✓
Dodge Quantis	✓	✓
Falk	✓	✓
Flender/Motox	✓	✓
Grove	✓	✓
Hansen	✓	✓
Lenze	✓	✓
Leroy Somer	✓	✓
Motovario	✓	✓
Nord	✓	✓
Stober	✓	✓
Sumitomo	✓	✓

Bravo® and LeCENTRIC™ aluminum reducers offer thousands of stock power transmission solution.

LeCENTRIC™ aluminum inline gear reducers, available in 1/4 through 7-1/2 HP, offer unsurpassed advantages in terms of weight, efficiency and interchangeability. The reducers are loaded with long life features that industrial equipment users have come to expect. LEESON also offers Bravo® reducers, a compact and lightweight alternative to traditional cast iron units. The reducers are available with hollow output shafts as standard for easy to achieve, cost effective drive solutions. By combining a LeCENTRIC™ or Bravo® reducer with any of our hundreds of in-stock c-face motors, a performance-matched GEAR+MOTOR™ is created instantly with single source responsibility.



Grove Gear Hi Efficiency Gear Drives - Designed Grove Tough!

Shafts

Robust output shaft of high strength steel alloy for superior torque and overhung load capacities.

Housing

Precision machined rugged cast iron housings give you the industrial strength and durability you've come to expect from Grove Gear.

Bearings

Bearing spans optimized to allow for maximum overhung load capacity, enhanced durability and reliability – while minimizing shaft deflection.

Gearing

All gearing is hardened and ground (AGMA Class 10 or better), for enhanced efficiency and noise reduction. Double reduction units are 96-97% efficient.

Modular Design

Innovative design includes double reduction, triple reduction and quad reduction reducers assembled from standard components.

Mounting Dimensions

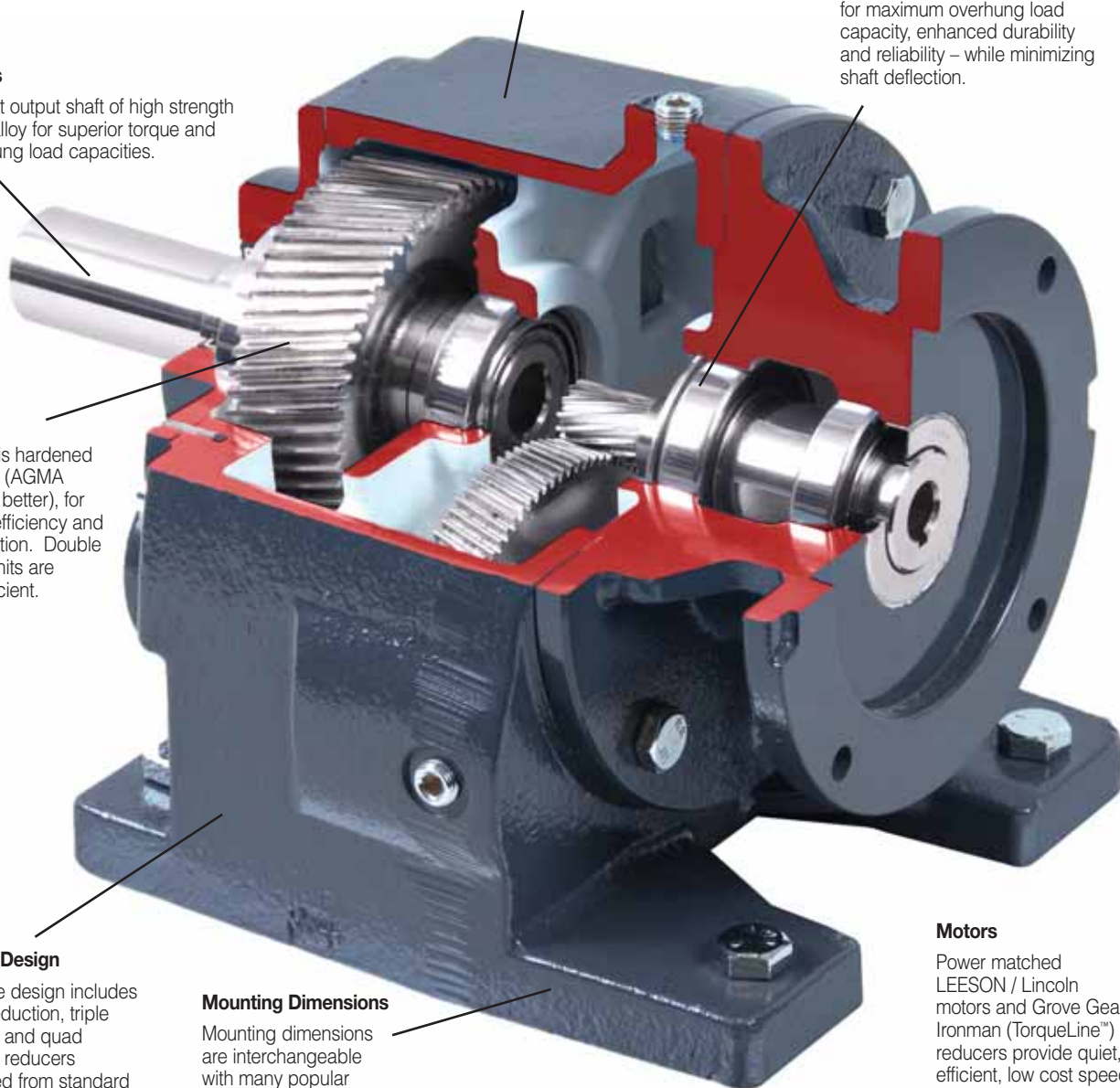
Mounting dimensions are interchangeable with many popular reducers, including SEW, David Brown, Nord and Dodge.

Motors

Power matched LEESON / Lincoln motors and Grove Gear Ironman (TorqueLine™) reducers provide quiet, efficient, low cost speed reduction.

Available Options

Washguard™, paint and special shaft options are available.



Product Selection:



Helical Inline

- 9 sizes available in reducer and gearmotor designs
- Reducer selections up to 125 HP
- Gearmotor selections up to 5 HP
- Available in double, triple and quadruple reduction with ratios from 2.2:1 to 3700:1
- Output flange and foot mounted designs available in all sizes
- An industry leader in power density per unit size



Helical Bevel

- 6 sizes available in reducer and gearmotor designs
- Reducer selections up to 15 HP
- Gearmotor selections up to 5 HP
- Available in triple and quintuple reduction with ratios from 6.2:1 to 3400:1
- Solid output shaft and hollow output shaft available in all sizes
- Precision carburized and hardened spiral bevel gearing for quiet, efficient, right angle speed reduction



Helical Worm

- 4 sizes available in reducer and gearmotor designs
- Reducer selections up to 17 HP
- Available in double, triple and quadruple reduction with ratios from 7:1 to 3400:1
- Solid and hollow output shaft options available
- Hardened and ground steel worm shaft and high capacity bronze alloy worm gear give you the advantages of worm gearing with the efficiency of helical gearing

Hi-Efficiency Gear Reducer Quick Shipment Program

- Order Quantities up to 5 pcs (mixed)
- Over 10,000 Standard Catalog numbers in program!
- Double and Triple Reduction
- **3 Day** Assembly on Helical Inline Models thru R887 Foot and Flange Mount Styles
- **5 Day** Assembly on All Sizes of Helical Worm
- **5 Day** Assembly on Helical bevel Models thru K887
- If we don't ship it when we say we will, ground freight is free!*
- 3 to 4 week delivery on all other standard models and catalog configurations not listed above

*Certain limitations apply

LEESON MOTOR MODEL NUMBER NOMENCLATURE

All LEESON motors, both stock and custom, have a catalog number and a model number. The model number appears on the motor's nameplate and describes pertinent electrical and mechanical features of the motor. An example follows along with a listing of the various letters and positions used.

POSITION 1: U.L. PREFIX

- A = Auto protector. U.L. recognized for locked rotor plus run, also recognized construction (U.L. 1004)*.
- M = Manual protector. U.L. recognized for locked rotor plus run, also recognized construction (U.L. 1004)*.
- L = Locked rotor protector (automatic). U.L. recognized for locked rotor only, also recognized construction (U.L. 1004)*.
- C = Component recognition. (U.L. 1004) No protector.
- U = Auto protector. U.L. recognized construction (UL1004). Motor/protector combination not UL recognized.
- P = Manual protector. U.L. recognized construction (UL1004). Motor/protector combination not UL recognized.
- T = Thermostat, not U.L. recognized.
- N = No overload protection.

*This applies only to 48, S56, and 56 frame designs through 1 HP, Open & TENV.

POSITION 2: (OPTIONAL)

- This position is not always used.
- M = Sub-Fractional HP Motors.
- Z = BISSC Approved.
- Other = Customer Code

POSITION 3: FRAME

4 = 48 Frame	23 = 23 Frame	40 = 40 Frame
6 = 56 Frame	30 = 30 Frame	43 = 43 Frame
42 = 42 Frame	34 = 34 Frame	44 = 44 Frame
143 = 143T Framei	36 = 36 Frame	53 = 53 Frame
145 = 145T Frame	38 = 38 Frame	65 = 65 Frame
182 = 182T Frame	39 = 39 Frame	
184 = 184T Frame		
213 = 213T Frame		
215 = 215T Frame		
254 = 254T Frame		
256 = 256T Frame		
284 = 284T Frame		
286 = 286T Frame		
324 = 324T Frame		
326 = 326T Frame		
364 = 364T Frame		
365 = 365T Frame		
404 = 404T Frame		
405 = 405 T Frame		
444 = 444T Frame		
447 = 447T Frame		
449 = 449T Frame		

POSITION 4: MOTOR TYPE

- C = Cap. Start/Ind. Run
- D = Direct Current
- K = Cap. Start/Cap. Run
- P = Permanent Split
- S = Split Phase
- T = Three Phase
- B = Brushless DC
- H = Hysteresis Sync.
- R = Reluctance Sync.

Odd frequencies other than 50 Hz show synchronous speed code.

DC and special motors may have one, two, or three digits indicating motor speed rounded to the nearest hundred RPM.

EXAMPLE:

Position No.	<u>1</u>	<u>2</u>	<u>3</u>	<u>4</u>	<u>5</u>	<u>6</u>	<u>7</u>	<u>8</u>	<u>9</u>	<u>10</u>
Sample Model No.	A	B	4	C	17	D	B	1	A	(A-Z)

POSITION 5: RPM

RPM-Single Speed	RPM-Multi-Speed
34 = 3450 RPM 60 Hz 2 Pole	24 = 2 and 4 Poles
28 = 2850 RPM 50 Hz 2 Pole	26 = 2 and 6 Poles
17 = 1725 RPM 60 Hz 4 Pole	82 = 2 and 8 Poles
14 = 1425 RPM 50 Hz 4 Pole	212 = 2 and 12 Poles
11 = 1140 RPM 60 Hz 6 Pole	46 = 4 and 6 Poles
9 = 950 RPM 50 Hz 6 Pole	48 = 4 and 8 Poles
8 = 960 RPM 60 Hz 8 Pole	410 = 4 and 10 Poles
7 = 720 RPM 50 Hz 8 Pole	412 = 4 and 12 Poles
7 = 795 RPM 60 Hz 10 Pole	68 = 6 and 8 Poles
6 = 580 RPM 50 Hz 10 Pole	
6 = 580 RPM 60 Hz 12 Pole	

POSITION 6: ENCLOSURE

- D = Drip-Proof
- E = Explosion-Proof TENV
- F = Fan Cooled
- N = TENV
- O = Open
- S = Splashproof
- W = Weatherproof, Severe Duty, Chemical Duty, WASHGUARD - TEFC
- X = Explosion-Proof TEFC
- V = Weatherproof, Severe Duty, Chemical Duty, WASHGUARD - TENV

POSITION 7: MOUNTING

- B = Rigid base standard
- C = "C" face - no base - NEMA
- D = "D" flange - no base - NEMA
- H = 48 frame - 56 frame mounting/shaft rigid
- J = 48 frame - 56 frame mounting/shaft resilient
- K = Rigid mount with "C" flange
- L = Rigid mount with "D" flange
- M = Motor parts - rotor and stator
- R = Resilient base
- S = Shell motor
- T = Round body
- Z = Special mounting

POSITION 8: SEQUENCE NUMBER

Number assigned as required when new designs with new characteristics are needed.

POSITION 9: MODIFICATION LETTER

Major modification letter. Used when revisions made in existing model *will* affect service parts.

POSITION 10: (OPTIONAL)

A date code consisting of either A-Z, and two digits 00-99.

Letter when shown on nameplate indicates model has U.L. primary single phasing recognition. (Applies to 3 phase motors only.)

Code letters indicate manufacturing location:

- A = Grafton, WI
- B = Black River Falls, WI
- C = Saukville, WI
- E = Neillsville, WI
- G = Lincoln, MO
- P = West Plains, MO

CROSS REFERENCE EXCEPTION CODES

<p>LEESON Product Base Exceptions</p> <p>B01 Install base kit 175032 (Extra cost)</p> <p>B02 Install base kit 175033 (Extra cost)</p> <p>B03 Install base kit 175034 (Extra cost)</p> <p>B04 Install base kit 175035 (Extra cost)</p> <p>B05 Install base kit 175036 (Extra cost)</p> <p>B06 Install base kit 175037 (Extra cost)</p> <p>B07 Install base kit 175038 (Extra cost)</p> <p>B08 Install base kit 175039 (Extra cost)</p> <p>B09 Install base kit 175040 (Extra cost)</p> <p>B10 Install base kit 175041 (Extra cost)</p> <p>B11 Install base kit 175042 (Extra cost)</p> <p>B12 Install base kit 175043 (Extra cost)</p> <p>B13 Install base kit 175044 (Extra cost)</p> <p>B14 Install base kit 175045 (Extra cost)</p> <p>B15 Install base kit 175046 (Extra cost)</p> <p>B16 Install base kit 175047 (Extra cost)</p> <p>B17 Install base kit 175048 (Extra cost)</p> <p>B18 Install base kit 175049 (Extra cost)</p> <p>B19 Install base kit 175088 (Extra cost)</p> <p>B20 Install base kit 175089 (Extra cost)</p> <p>B21 Install base kit 175090 (Extra cost)</p> <p>B22 Install base kit 175091 (Extra cost)</p> <p>B23 Install base kit 175092 (Extra cost)</p> <p>B24 Install base kit 175093 (Extra cost)</p> <p>B25 Install base kit 175094 (Extra cost)</p> <p>B26 Install base kit 175095 (Extra cost)</p> <p>B27 Install base kit 175097 (Extra cost)</p> <p>B28 Install base kit 175098 (Extra cost)</p> <p>B29 Install base kit 175127 (Extra cost)</p> <p>B30 LEESON motor has a 56 frame base</p> <p>B31 LEESON motor has rigid base</p> <p>B32 LEESON motor has resilient base</p> <p>B33 LEESON motor has no base</p> <p>B34 LEESON's motor base is not removable</p> <p>B35 LEESON motor has base with mounting holes for 56 & 143-5T</p> <p>B36 LEESON base mounting holes not 'Drop-in' replacement</p> <p>B37 Install base kit M1760006 (Extra cost)</p> <p>B38 LEESON motor has 184JM base and shaft</p> <p>LEESON Product Construction Exceptions</p> <p>C01 LEESON motor has steel frame</p> <p>C02 LEESON motor has cast iron frame</p> <p>C03 LEESON motor has mechanical switch</p> <p>C04 Reassemble LEESON motor to F2 mounting</p> <p>C05 LEESON motor has base with mounting holes for 56, 143-5T and 5/8" Nema 5e shaft</p> <p>C06 LEESON motor is not BISSC certified</p> <p>C07 LEESON motor is capacitor start/capacitor run design</p> <p>C08 LEESON motor is normal efficiency</p> <p>C09 LEESON motor has double shielded ball bearings</p> <p>C10 LEESON motor is capacitor start/induction run design</p> <p>C11 LEESON motor has 1.0 service factor</p> <p>C12 LEESON motor is ball bearing design</p> <p>C13 LEESON motor is 208-230 volts</p> <p>C14 LEESON motor has steel fan-guard</p> <p>C15 LEESON motor is premium efficiency design</p> <p>C16 LEESON motor has ball bearing instead of roller bearing drive end</p> <p>C17 LEESON motor does not have extended thru-bolts</p> <p>C18 LEESON motor has 145TC face with 182T base</p> <p>C19 LEESON motor requires C face adapter</p> <p>C20 LEESON motor is 1650 RPM</p> <p>C21 LEESON motor has no cord or plug</p> <p>C22 LEESON motor is IP54</p> <p>C23 LEESON motor is 1625 RPM</p> <p>C24 LEESON motor is 1075 RPM</p> <p>C25 LEESON motor is class B insulated</p> <p>C26 LEESON motor is Class I Group D, Class II Groups F & G</p> <p>C27 LEESON motor is 60/50HZ</p> <p>C28 LEESON motor has external capacitor</p> <p>C29 LEESON motor is PSC design</p> <p>C30 LEESON does not have tapped-hole (as standard) for pulse generator</p> <p>C31 LEESON gearbox mounting face includes 3-point mounting</p> <p>C32 LEESON motor is dual voltage rated - 115/230</p> <p>C33 LEESON armature voltage is 90V DC</p> <p>C34 LEESON motor is 230V only</p> <p>C35 LEESON motor is non-reversible</p> <p>C36 LEESON motor is reversible</p> <p>C37 LEESON motor shaft endshield is totally enclosed</p> <p>C38 Install explosion proof conduit box 175026 (Extra cost)</p> <p>C39 LEESON motor has 1.15 service factor</p> <p>C40 LEESON motor has 1.25 service factor</p>	<p>C41 LEESON motor has 1.35 service factor</p> <p>C42 LEESON motor has a 145T "C" face and shaft with welded on base</p> <p>C43 LEESON motor may not be used on 190-208/380-416V 50HZ at full rated HP</p> <p>C44 IEEE 841 modification required - reference mod squad motor modifications L26</p> <p>C45 LEESON motor has cast iron C face</p> <p>C46 LEESON motor is 60HZ Only</p> <p>C47 LEESON motor is 208-230/460V</p> <p>C48 LEESON motor is class F insulated</p> <p>C49 LEESON motor is EPACT efficiency</p> <p>C50 LEESON motor is design B</p> <p>C51 LEESON motor is all stainless steel</p> <p>C52 LEESON motor has 12 leads</p> <p>C53 LEESON motor has standard paint</p> <p>C54 LEESON motor is 460 Volt only</p> <p>C55 LEESON motor has a solid-state switch</p> <p>LEESON Product Enclosure Exceptions</p> <p>E01 LEESON motor is totally enclosed non-ventilated</p> <p>E02 LEESON motor is totally enclosed fan-cooled</p> <p>E03 LEESON motor is drip proof</p> <p>LEESON Product Frame Size Exceptions</p> <p>F01 LEESON frame size is 48</p> <p>F02 LEESON frame size is S56</p> <p>F03 LEESON frame size is 56</p> <p>F04 LEESON frame size is 56C</p> <p>F05 LEESON frame size is 56H</p> <p>F06 LEESON frame size is 145T</p> <p>F07 LEESON frame size is 145TC</p> <p>F08 LEESON frame size is 182T</p> <p>F09 LEESON frame size is 184T</p> <p>F10 LEESON frame size is 184TC</p> <p>F11 LEESON frame size is 184JM</p> <p>F12 LEESON frame size is 215T</p> <p>F13 LEESON frame size is 286T</p> <p>F14 LEESON frame size is 326T</p> <p>F15 LEESON frame size is 364T</p> <p>F16 LEESON frame size is 365T</p> <p>F17 LEESON frame size is 405T</p> <p>F18 LEESON frame size is 444T</p> <p>F19 LEESON frame size is 445T</p> <p>F20 LEESON frame size is 447T</p> <p>F21 LEESON frame size is D63D</p> <p>F22 LEESON frame size is 143T</p> <p>F23 LEESON frame size is 404T</p> <p>F24 LEESON frame size is 213TC</p> <p>F25 LEESON frame size is 449T</p> <p>F26 LEESON frame size is 256JM</p> <p>F27 LEESON frame size is 284JM</p> <p>F28 LEESON frame size is 286JM</p> <p>F29 LEESON frame size is 56HC</p> <p>LEESON Product Horsepower Exceptions</p> <p>H01 LEESON motor is rated 1/2 HP</p> <p>H02 LEESON motor is rated 1 HP</p> <p>H03 LEESON motor is rated 1/3 HP</p> <p>H04 LEESON motor is rated 1/4 HP</p> <p>H05 LEESON motor is rated 4.0 KW/5.5 HP</p> <p>H06 LEESON motor is rated 1/6 HP</p> <p>H07 LEESON motor is rated 3/4 HP</p> <p>LEESON Product Kit Exceptions</p> <p>K01 Install AC metric (63 frame) B5 flange kit 175850 (Extra cost)</p> <p>K02 Install AC metric (71 frame) B5 flange kit 175852 (Extra cost)</p> <p>K03 Install AC metric (80 frame) B5 flange kit 175854 (Extra cost)</p> <p>K04 Install AC metric (90 frame) B5 flange kit 175856 (Extra cost)</p> <p>K05 Install AC metric (100 frame) B5 flange kit 175984 (Extra cost)</p> <p>K06 Install AC metric (112 frame) B5 flange kit 175986 (Extra cost)</p> <p>K07 Install AC metric (132 frame) B5 flange kit 175988 (Extra cost)</p> <p>K08 Install AC metric (160 frame) B5 flange kit 175890 (Extra cost)</p> <p>K09 Install AC metric (180 frame) B5 flange kit 175890 (Extra cost)</p> <p>K10 Install AC metric (63 frame) B14 flange kit 175851 (Extra cost)</p> <p>K11 Install AC metric (71 frame) B14 flange kit 175863 (Extra cost)</p> <p>K12 Install AC metric (80 frame) B14 flange kit 175855 (Extra cost)</p> <p>K13 Install AC metric (90 frame) B14 flange kit 175857 (Extra cost)</p> <p>K14 Install AC metric (100 frame) B14 flange kit 175985 (Extra cost)</p> <p>K15 Install AC metric (112 frame) B14 flange kit 175987 (Extra cost)</p> <p>K16 Install AC metric (132 frame) B14 flange kit 175989 (Extra cost)</p> <p>K17 Install AC metric (160 frame) B14 flange kit 175991 (Extra cost)</p> <p>K18 Install DC metric (71 frame) B5 flange kit 175106 (Extra cost)</p> <p>K19 Install DC metric (80 frame) B5 flange kit 175108 (Extra cost)</p> <p>K20 Install DC metric (90 frame) B5 flange kit 175108 (Extra cost)</p> <p>K21 Install DC metric (100 frame) B5 flange kit 175137 (Extra cost)</p> <p>K22 Install DC metric (71 frame) B14 flange kit 175107 (Extra cost)</p> <p>K23 Install DC metric (80 frame) B14 flange kit 175109 (Extra cost)</p> <p>K24 Install DC metric (90 frame) B14 flange kit 175129 (Extra cost)</p> <p>K25 Install DC metric (100 frame) B14 flange kit 175130 (Extra cost)</p> <p>K26 Install NEMA steel frame C Face kit 175661 (Extra cost)</p> <p>K27 Install NEMA steel frame C Face kit 175294 (Extra cost)</p> <p>K28 Install NEMA steel frame C Face kit 175297 (Extra cost)</p> <p>K29 Install NEMA steel frame C Face kit 175075 (Extra cost)</p> <p>K30 Install NEMA steel frame C Face kit 175076 (Extra cost)</p> <p>K31 Install NEMA steel frame C Face kit 175078 (Extra cost)</p> <p>K32 Install NEMA steel frame C Face kit 175181 (Extra cost)</p> <p>K33 Install NEMA steel frame C Face kit 175077 (Extra cost)</p> <p>K34 Install NEMA steel frame C Face kit 175969 (Extra cost)</p> <p>K35 Install NEMA steel frame C Face kit 175691 (Extra cost)</p> <p>K36 Install NEMA steel frame C Face kit 175303 (Extra cost)</p> <p>K37 Install NEMA steel frame C Face kit 175007 (Extra cost)</p> <p>K38 Install NEMA steel frame C Face kit 175693 (Extra cost)</p> <p>K39 Install NEMA steel frame C Face kit 175008 (Extra cost)</p> <p>K40 Install NEMA steel frame C Face kit 175845 (Extra cost)</p> <p>K41 Install NEMA steel frame C Face kit 175844 (Extra cost)</p> <p>K42 Install NEMA steel frame C Face kit 175304 (Extra cost)</p> <p>K43 Install NEMA cast iron C Face kit 175655 (Extra cost)</p> <p>K44 Install NEMA cast iron C Face kit 175066 (Extra cost)</p> <p>K45 Install NEMA cast iron C Face kit 175068 (Extra cost)</p> <p>K46 Install NEMA cast iron C Face kit 175067 (Extra cost)</p> <p>K47 Install NEMA cast iron C Face kit 175069 (Extra cost)</p> <p>K48 Install NEMA cast iron C Face kit 175191 (Extra cost)</p> <p>K49 Install NEMA cast iron C Face kit 175058 (Extra cost)</p> <p>K50 Install NEMA cast iron C Face kit 175061 (Extra cost)</p> <p>K51 Install NEMA cast iron C Face kit 175059 (Extra cost)</p> <p>K52 Install NEMA cast iron C Face kit 175062 (Extra cost)</p> <p>K53 Install NEMA cast iron C Face kit 175060 (Extra cost)</p> <p>K54 Install NEMA cast iron C Face kit 175063 (Extra cost)</p> <p>K55 Install NEMA cast iron C Face kit 175199 (Extra cost)</p> <p>K56 Install NEMA cast iron C Face kit 175664 (Extra cost)</p> <p>K57 Install Chemical Service/Severe Duty (182/184T) kit 175663 (Extra cost)</p> <p>K58 Install Chemical Service/Severe Duty (213/215T) kit 175050 (Extra cost)</p> <p>K59 Install Chemical Service/Severe Duty (254/256T) kit 175051 (Extra cost)</p> <p>K60 Install Chemical Service/Severe Duty (284/286T) kit 175052 (Extra cost)</p> <p>K61 Install Chemical Service/Severe Duty (324/326T) kit 175053 (Extra cost)</p> <p>K62 Install Chemical Service/Severe Duty (364/365T) kit 175054 (Extra cost)</p> <p>K63 Install Chemical Service/Severe Duty (404/405T) kit 175055 (Extra cost)</p> <p>K64 Install Chemical Service/Severe Duty (444/445T) kit 175056 (Extra cost)</p> <p>K65 Install NEMA D Flange (182/184T) kit 175694 (Extra cost)</p> <p>K66 Install NEMA D Flange (182/184T) kit 175658 (Extra cost)</p> <p>K67 Install NEMA D Flange (213/215T) kit 175114 (Extra cost)</p> <p>K68 Install NEMA D Flange (213/215T) kit 175115 (Extra cost)</p> <p>K69 Install NEMA D Flange (254/256T) kit 175116 (Extra cost)</p> <p>K70 Install NEMA D Flange (364/365T) kit 175995 (Extra cost)</p> <p>K71 Install NEMA D Flange (254/256T) kit 175192 (Extra cost)</p> <p>K72 Install NEMA D Flange (284/286T) kit 175118 (Extra cost)</p> <p>K73 Install NEMA D Flange (284/286T) kit 175119 (Extra cost)</p> <p>K74 Install NEMA D Flange (324/326T) kit 175120 (Extra cost)</p> <p>K75 Install NEMA D Flange (324/326T) kit 175121 (Extra cost)</p> <p>K76 Install NEMA D Flange (364/365T) kit 175657 (Extra cost)</p> <p>K77 Install Textile "Lint-Proof" kit 175024 (Extra cost)</p> <p>K78 Install Textile "Lint-Proof" kit 175025 (Extra cost)</p> <p>K79 Install Textile "Lint-Proof" kit 175695 (Extra cost)</p> <p>K80 Install Drip-Cover (213/215JP) kit 175305 (Extra cost)</p> <p>K82 Install Drip-Cover (56) kit 175004 (Extra cost)</p> <p>K83 Install Drip-Cover (143/145T) kit 175004 (Extra cost)</p> <p>K84 Install Drip-Cover (182/184T) kit 175614 (Extra cost)</p> <p>K85 Install Drip-Cover (213/215T) kit 175849 (Extra cost)</p> <p>K86 Install conduit box kit M1760007 (Extra cost)</p> <p>K87 Install conduit box kit M1760021 (Extra cost)</p> <p>K88 Install NEMA Wattsaver cast iron C face kit 175869 (Extra cost)</p> <p>K89 Install Drip-Cover (56) kit 175298 (Extra cost)</p> <p>K90 Install NEMA Wattsaver cast iron C face kit 175842 (Extra cost)</p> <p>K91 Install Brake kit 175178 (Extra cost)</p> <p>K92 Install AC Metric (200 frame) B5 flange 175994 (Extra cost)</p> <p>K93 Install AC Metric (200 frame) B5 flange 175995 (Extra cost)</p> <p>K94 Install NEMA Cast Iron C-Face kit 175842 (Extra cost)</p> <p>K95 Install NEMA Cast Iron C-Face kit 175958 (Extra cost)</p> <p>K96 Install NEMA Cast Iron C-Face kit 175454 (Extra cost)</p> <p>K97 Install NEMA Cast Iron C-Face kit 175394 (Extra cost)</p> <p>K98 Install NEMA D Flange (324/326T) kit 175455 (Extra cost)</p> <p>K99 Install NEMA D Flange (404/405T) kit 175956 (Extra cost)</p> <p>K100 Install NEMA D Flange (404/405T) kit 175957 (Extra cost)</p> <p>K101 Install NEMA D Flange (213/215T) Wattsaver kit 175959 (Extra cost)</p> <p>K102 Install NEMA D Flange (182/184T) Wattsaver kit 175396 (Extra cost)</p> <p>K103 Install Drip-Cover (182/184T) Cast Iron kit 175961 (Extra cost)</p> <p>K104 Install Drip-Cover (213/215T) Cast Iron kit 175962 (Extra cost)</p> <p>K105 Install Drip-Cover (254/256T) Cast Iron kit 175963 (Extra cost)</p> <p>K106 Install Chemical Service/Severe Duty (447/449T) kit 175891 (Extra cost)</p> <p>LEESON Product Protector Exceptions</p> <p>P01 LEESON motor has automatic reset protector</p> <p>P02 LEESON motor has manual reset protector</p> <p>P03 LEESON motor has no thermal overload protector</p> <p>LEESON Product Shaft Exceptions</p> <p>S01 LEESON motor has a 182-4T shaft extension</p> <p>S02 LEESON motor has a 213-5T shaft extension</p> <p>S03 LEESON motor has a 254-6T shaft extension</p> <p>S04 LEESON motor shaft is 1 inch longer</p> <p>S05 LEESON motor has shaft that is a TS not T</p> <p>S06 LEESON motor has phosphatized shaft</p> <p>S07 LEESON has .625 inch diameter shaft</p> <p>S08 LEESON has single output shaft</p> <p>S09 LEESON shaft center-line height from base is 1.48 inches</p> <p>S10 LEESON shaft on left side facing the gearbox</p> <p>S11 LEESON shaft center-line height from the base is 1.67 inches</p> <p>S12 LEESON motor has 1 1/8" shaft</p> <p>S13 LEESON motor has 416 stainless shaft</p> <p>S14 LEESON shaft dimensions not "drop in" replacement</p> <p>LEESON Product Thermostat Exceptions</p> <p>T01 LEESON motor has no thermostats</p> <p>T02 LEESON motor has normally closed thermostats</p>
---	--

BALDOR TO LEESON CROSS REFERENCE

LEESON			LEESON			LEESON			LEESON			LEESON			LEESON		
Baldor Cat. No.	Equivalent Cat. No.	Exception Code	Baldor Cat. No.	Equivalent Cat. No.	Exception Code	Baldor Cat. No.	Equivalent Cat. No.	Exception Code	Baldor Cat. No.	Equivalent Cat. No.	Exception Code	Baldor Cat. No.	Equivalent Cat. No.	Exception Code	Baldor Cat. No.	Equivalent Cat. No.	Exception Code
AFL3520A	111332.00		CDP3306	098003.00	E02	CEWDBM3546	116469.00	C08	CM2334T	G150080.60		CM3708T	G140482.00		CSSWDM3711T	G140699.00	
AFL3521A	111333.00		CDP3310	098002.00	E02	CEWDBM3546T	121616.00	C08	CM2334T-5	150117.60	K48	CM3709T	G131774.00		CSSWDM3714T	G140676.00	
AFL3522A	120374.00		CDP3316	098005.00	E02	CEWDBM3554T	G121617.00	C08,E02	CM2513T	G150175.60	C02	CM3710T	G140183.00		CSWDM3538	191204.00	
AFL3523A	120375.00		CDP3320	098004.00	E02	CEWDBM3558T	G121618.00	C08	CM2514T	G150070.60	C02	CM3710T-5	140593.00	K41	CSWDM3542	191207.00	
AFL3524A	120376.00		CDP3326	098008.00	E02	CFDL3501M	116485.00		CM2515T	G150071.60	C02	CM3711T	G140696.00		CSWDM3546	191291.00	
AFL3525A	111949.00		CDP3330	098000.00	E02	CFDL3504M	116486.00		CM2516T	G151688.60	C02	CM3711T-5	150197.60	C02,K45	CSWDM3546T	G191212.00	E01
AFM3528	111334.00		CDP3335	098006.00	E02	CFDL3507M	116487.00		CM2531T	G150073.60	C02	CM3713T	G140697.00		CSWDM3554	191217.00	E01,F29
AFM3529	111335.00		CDP3410-V12	108045.00		CFDL3510M	116488.00	F04	CM2535T	G151377.60	C02	CM3713T-5	150198.60	C02,K45	CSWDM3554T	G191218.00	E01
AFM3530	120377.00		CDP3420-V12	108046.00		CFDL3514M	116489.00	C39	CM2539T	G151378.60	C02	CM3714T	G140147.00		CSWDM3558	191223.00	F29
AFM3532	120379.00		CDP3420-V24	108050.00		CFDL3516TM	121625.00		CM2543T	G151379.60	C02	CM3714T-5	150212.60	C02,K45	CSWDM3558T	G191224.00	
ANFL3501M	101435.00		CDP3430-V12	108047.00		CFM3136A	116772.00	S14	CM2547T	G151689.60	C02	CM3769T	G150166.60		CWDL3504	112527.00	C55
ANFL3504M	101436.00		CDP3430-V24	108051.00		CFM3146A	116773.00	S14	CM2551T	G151690.60	C02	CM3770T	G150165.60		CWDL3507	112528.00	C55
ANFL3507M	101437.00		CDP3436	098069.00		CFM3156A	111147.00		CM2555T	G151691.60	C02	CM3771T	G150168.60		CWDL3509	113583.00	C55
ANFL3510M	113302.00		CDP3440	098032.00		CFM3166A	111148.00		CM3104	100599.00		CM3773T	G150103.60		CWDL3510	112529.00	C55
ANFL3514M	113301.00		CDP3440-V12	108048.00		CHC144A	100803.00		CM3107	100600.00		CM3774T	G150167.60		CWDL3513	113584.00	C55
B143T	175034.00		CDP3440-V24	108052.00		CHC164A	100824.00		CM3108	100601.00		CM4103T	G150081.60		CWDL3514	113300.00	C55,F29
B145T	175035.00		CDP3443	098009.00		CHC244A	100804.00		CM3112	100602.00		CM4104T	G150082.60		CWDM3537	113588.00	
B182T	175036.00		CDP3445	108022.00		CHC264A	100825.00		CM3116T	G121650.00		CM4106T	G150079.60		CWDM3538	113586.00	
B184T	175037.00		CDP3445-V12	108322.00		CHC3413A	100803.00		CM3154T	G121651.00		CM4107T	G150106.60		CWDM3538-5	112483.00	E02
B213T	175038.00		CDP3445-V24	108053.00		CHC3414A	100824.00		CM3155	114218.00		CM4108T	G150108.60		CWDM3539	115743.00	
B215T	175039.00		CDP3450	108020.00		CHC3416A	100804.00		CM3157T	G120275.00		CM4109T	G150110.60		CWDM3541	113589.00	
B254T	175040.00		CDP3455	108023.00		CHC3417A	100825.00		CM3158T	G121072.00	C25	CM4110T	G150083.60		CWDM3542	113587.00	
B256T	175041.00		CDP3460	108021.00		CHC345A	111323.00		CM3211T	G130325.00		CM4114T	G150112.60		CWDM3542-5	112484.00	E02
B284T	175042.00		CDP3575	128000.00		CHC3524A	111323.00		CM3212T	G131249.00		CM4115T	G150084.60		CWDM3543	115744.00	F29
B286T	175043.00		CDP3580	108265.00	F04	CHC3525A	111321.00		CM3218T	G130327.00		CM4310T	G150114.60		CWDM3545	113590.00	
B324T	175044.00		CDP3585	128010.00		CHC3526A	111919.00		CM3219T	G131250.00		CM4313T	G150115.60		CWDM3546	112524.00	E02
B326T	175045.00		CDP3590	108266.00		CHC3528A	111322.00		CM3311T	G140589.00		CM4314T	G150085.60		CWDM3546-5	112522.00	E02
B364T	175046.00		CDP3604	108502.00		CHC364A	101645.00		CM3312T	G140692.00		CM4316T	G150086.60		CWDM3546T	G120587.00	E02
B365T	175047.00		CDPSWD3410	109065.00		CHC365A	111321.00		CM3313T	G140146.00		CM4400T	G151680.60		CWDM3550	113591.00	E01
B404T	175048.00		CDPSWD3426	109070.00		CHC445A	111324.00		CM3314T	G140693.00		CM7005A	114627.00		CWDM3554	112643.00	E02
B405T	175049.00		CDPSWD3430	109069.00		CHC465A	111266.00		CM3534	102922.00		CM7006A	114628.00		CWDM3554T	G121540.00	E02
B444T	175088.00		CDPSWD3545	109075.00		CHC545A	111267.00		CM3534-5	101051.00	H01,K28	CM7009A	114629.00		CWDM3555	113592.00	E01
B445T	175089.00		CDPSWD3555	109076.00		CHL3523A	101176.00	B31	CM3537	114142.00		CM7010A	114630.00		CWDM3555T	121039.00	E01
B447T	175090.00		CDPWD3306	098375.00		CJM3107	102199.00		CM3538	102991.00		CM7013	114631.00		CWDM3556	115745.00	F29
B449T	175032.00		CDPWD3310	108423.00		CJM3111	101776.00		CM3538-5	101051.00	K28	CM7014	114632.00		CWDM3557	115746.00	F29
B48T	175032.00		CDPWD3316	098376.00		CJM3115	101775.00		CM3539	110914.00		CM7014T	G121541.00		CWDM3558	112644.00	
B56T	175033.00		CDPWD3320	108424.00		CJM3120	114203.00		CM3541	110915.00		CM7018T	114633.00	F04	CWDM3558T	G120588.00	
BL3507	114167.00	F04	CDPWD3326	108227.00		CJM3155	114202.00		CM3542	110916.00		CM7034	114634.00	F29	CWDM3559T	G120911.00	
BL3510	111951.00	F04	CDPWD3330	108226.00		CJM3158	114201.00		CM3542-5	110178.00	K30	CM7037T	G121182.00		CWDM3611T	G130664.00	
BL3517	114165.00	F04	CDPWD3346	108229.00	E01	CL1301	103023.00		CM3543	116340.00		CM7042T	G850617.00	C02	CWDM3613T	G131167.00	
BL3518	111950.00	F04	CDPWD3440	108228.00	E01	CL1303	103024.00		CM3545	110181.00		CM7044T	G850618.00	C02	CWDM3615T	G131171.00	
BM3108	114162.00		CDPWD3445	108230.00		CL1304	101651.00		CM3546	110912.00		CM7045T	G850589.00	C02	CWDM3616T	G132016.00	
BM3112	114163.00		CDPWD3455	108231.00		CL1307	101650.00		CM3546-5	110206.00	K30	CM7047T	G850619.00	C02	CWDM3709T	G131165.00	
BM3116	114164.00		CDPWD3575	108232.00		CL1310	113930.00		CM3546T	G121286.00	F07	CM7053T	G850591.00		CWDM3710T	G140466.00	
BM3154T	G120370.00		CDPX3420	118015.00		CL1408TM	131629.00		CM3546T-5	120122.00	K33	CM7054T	G850621.00		CWDM3711T	G140700.00	
BM3157T	G120371.00		CDPX3426	118017.00		CL1410TM	131630.00		CM3550	110917.00		CM7056T	G850622.00		CWDM3713T	G140701.00	
BM3211T	G131626.00		CDPX3430	118016.00		CL1430TM	131630.00		CM3550T	G121290.00		CM7058T	G850623.00		CWDM3714T	G140464.00	
BM3218T	G131627.00		CDPX3436	118019.00		CL3501	102930.00		CM3554	110918.00		CM7059T	G850592.00		DGC1301M	191742.00	
BM3248T	G131627.00		CDPX3440	118018.00		CL3503	102903.00		CM3554-5	110893.00	K30	CM7060T	G850624.00		DGC1304M	190802.00	
BM3311T	G140611.00		CEM2333T	171587.60		CL3504	102907.00		CM3554T	G121287.00		CM7062T	G850625.00		DGC1307M	113642.00	
BM3313T	G140635.00		CEM2334T	171589.60		CL3506	112135.00		CM3554T-5	120021.00	K33	CM7063T	G850593.00		ECP2276T-4	170122.60	C47,C53,K59
BM3538	114150.00		CEM2394T	171586.60		CL3507	110905.00		CM3555	113927.00		CM7064T	G850626.00		ECP2332T-4	170123.60	C47,C53,K59
BM3539	114149.00		CEM3581T	121179.00	C01	CL3509	101180.00		CM3555T	G121510.00		CM7071T	114635.00	F29	ECP2333T-4	170066.60	C47,C53,K59
BM3542	114147.00		CEM3583T	121672.00	C01	CL3510	110908.00		CM3556T	G120428.00		CM7072T	G850588.00	C02	ECP2334T-4	170067.60	C47,C53,K59
BM3543	114148.00		CEM3586T	121673.00	C01	CL3513	110909.00		CM3557	114198.00		CM7075T	114636.00	F29	ECP2394T-4	170062.60	C47,C53,K59
BM3546	114146.00		CEM3587T	121181.00	C01	CL3514	110910.00		CM3558	116106.00	F29	CM7170T	G850620.00		ECP3651T-4	171320.00	C47,C53,K57
BM3546T	G121679.00		CEM3660T	132079.00	C01	CL3515	113931.00		CM3558T	G120276.00		CM7174T	G850590.00		ECP3665T-4	171322.00	C47,C53,K57
BM3554	116767.00		CEM3661T	131504.00	C01	CL3515T	121008.00		CM3558T-5	120019.00	K33	CSSWDM3537	116165.00	F29	ECP3764T-4	171378.60	C47,C53,K58
BM3554T	G120329.00		CEM3663T	132080.00	C01	CL3516TM	121465.00	C25	CM3559	114615.00	F29	CSSWDM3538	115633.00	F29	ECP3768T-4	171379.60	C47,C53,K58
BM3556T	G121050.00		CEM3665T	131502.00	C01	CL3608TM	131632.00	C39	CM3559T	G120991.00		CSSWDM3541	116167.00	F29	ECP3769T-4	170158.60	C47,C53,K58
BM3558T	G120330.00		CEM3769T	140770.00	C01	CL3612TM	131633.00		CM3559T-5	120423.00	K33	CSSWDM3542	115634.00	F29	ECP3770T-4	170157.60	C47,C53,K58
BM3569	114151.00		CEM3770T	140521.00	C01	CL3619TM	131857.00	C25,C39	CM3610T	G131899.00		CSSWDM3545	116169.00	F29	ECP3771T-4	170159.60	C47,C53,K58
BM3611T	G131613.00		CEM3771T	140769.00	C01	CL3711T	140695.00		CM3611T	G130326.00		CSSWDM3546	115635.00	F29	ECP3774T-4	170140.60	C47,C53,K58
BM3614T	G131620.00		CEM3774T	140522.00	C01	CL3712T	140678.00	C48	CM3611T-5	131460.00	K35	CSSWDM3550	G121524.00	E02,F07	ECP4100T-4	170068.60	C47,C53,K60
BM3635T	G1316																

BALDOR-TO-LEESON CROSS REFERENCE

LEESON			LEESON			LEESON			LEESON			LEESON			LEESON		
Baldor Cat. No.	Equivalent Cat. No.	Exception Code	Baldor Cat. No.	Equivalent Cat. No.	Exception Code	Baldor Cat. No.	Equivalent Cat. No.	Exception Code	Baldor Cat. No.	Equivalent Cat. No.	Exception Code	Baldor Cat. No.	Equivalent Cat. No.	Exception Code	Baldor Cat. No.	Equivalent Cat. No.	Exception Code
ECP4117T-4	170005.60	C47,C53,K62	EM2543T	170021.60	C02	EM3768T	171379.60		GLP3330	096049.00		IDM4100T	810068.00		JML1512T	140666.00	
ECP4308T-4	170096.60	C47,C53,K62	EM2544T	170148.60		EM3769T	170158.60		GLP3332	096050.00		IDM4102T	810001.00		JMM2333T	151568.60	
ECP4310T-4	170043.60	C47,C53,K62	EM2546T	170042.60	C02	EM3770T	170157.60		GLP3336	096051.00		IDM4103T	810011.00		JMM2334T	151570.60	
ECP4312T-4	170097.60	C47,C53,K62	EM2547T	170025.60	C02	EM3771T	170159.60		GLP3338	096052.00		IDM4104T	810015.00		JMM2394T	151567.60	
ECP4313T-4	170045.60	C47,C53,K62	EM2549T	170044.60	C02	EM3774T	170140.60		GMP3330	096013.00		IDM4110T	810019.00		JMM2513T	151361.60	C02
ECP4314T-4	170027.60	C47,C53,K62	EM2550T	170151.60	C02	EM4100T	170068.60		GMP3332	096014.00		IDM4111T	810003.00		JMM2514T	151381.60	C02
ECP4316T-4	170031.60	C47,C53,K62	EM2551T	170029.60	C02	EM4102T	170001.60		GMP3336	096015.00		IDM4115T	810023.00		JMM2515T	151362.60	C02
ECP4400T-4	170087.60	C47,C53,K63	EM2554T-4	170154.60	C02,C47	EM4103T	170011.60		GMP3338	096016.00		IDM4117T	810005.00		JMM2516T	151382.60	C02
ECP4402T-4	170160.60	C47,C53,K63	EM2555T-4	170152.60	C02,C47	EM4104T	170015.60		GP233003	M115019.00	B36,S08	IDM4308T	810096.00		JMM2531T	801028.00	C02
ECP4403T-4	170098.60	C47,C53,K63	EM2556T-4	171449.60	C02	EM4106T	170033.60		GP233007	M1115020.00	B36,S08	IDM4312T	810097.00		JMM2534T	801040.00	C02
ECP4404T-4	170099.60	C47,C53,K63	EM2557T-4	170259.60		EM4107T	170035.60		GP7402	M1135038.00	B36,S08,S11	IDM4314T	810027.00		JMM2535T	801029.00	C02
ECP4406T-4	170371.60	C47,C53,K64	EM2558T-4	171522.60		EM4108T	170037.60		GP7403	M1135069.00	B36,S08,S11	IDM4316T	810031.00		JMM2538T	801041.00	C02
ECP4407T-4	170352.60	K64	EM2559T-4	170155.60	C02,C47	EM4109T	170039.60		GP7405	M1135042.00	B36,S08,S11	IDM4400T-4	810087.00		JMM2539T	801030.00	C02
ECP4408T-4	151516.60	C08,C53	EM2560T-4	171576.60		EM4110T	170019.60		GP7407	M1135043.00	B36,S08,S11	IDM4403T	810098.00		JMM2542T	801042.00	C02
ECP4409T-4	170256.60	C53,K64	EM2562T-4	171573.60		EM4111T	170003.60		GP7425	M1135062.00	B36,S08,S11	IDM4404T	810099.00		JMM3116T	121850.00	
ECP4410T-4	170369.60	C53,K64	EM2563T-4	171523.60		EM4114T	170041.60		GP7427	M1135063.00	B36,S08,S11	IDM4406T-4	811371.00		JMM3154T	121851.00	
ECP4411T-4	170260.60	C53,K64	EM2564T-4	171577.60		EM4115T	170023.60		GPP12503	M1125004.00		IDM4407T-4	810503.00		JMM3155T	121853.00	
ECP44156T-4	171315.60	C47,C53,K64	EM2569T-4	151255.60	C08	EM4117T	170005.60		GPP12545	M1125072.00		IDM4409T-4	811367.00		JMM3157T	121852.00	
ECP44206T-4	171316.60	C47,C53,K106	EM2583T-4	170255.60		EM4308T	170096.60		GPP12547	M1125070.00		IDM4410T-4	811369.00		JMM3158T	121854.00	
EFM2333T	170066.60	C04	EM3115	116128.00		EM4310T	170043.60		GPP231108	M1115001.00		IDNM2333T	810066.00		JMM3211T	131562.00	
EFM2334T	170007.60	C04	EM3116T	121003.00		EM4312T	170097.60		GPP231109	M1115002.00		IDNM3581T	810548.00		JMM3212T	131574.00	
EFM2513T	170065.60	C04	EM3120T	121514.00		EM4313T	170045.60		GLP232110	M1115000.00		IDNM3584T	810547.00	F07	JMM3218T	131563.00	
EFM2515T	170006.60	C04	EM3154T	121004.00		EM4314T	170027.60		GPP233111	M1115028.00		IDNM3587T	810546.00		JMM3219T	131576.00	
EFM2531T	170009.60	C04	EM3155T	121515.00	F06	EM4316T	170031.60		GPP233112	M1115027.00		IDNM3661T	811320.00		JMM3311T	140618.00	
EFM2535T	170013.60	C04	EM3156T	121517.00		EM4403T	170098.60		GPP233120	M1125048.00		IDNM3665T	811322.00		JMM3312T	131577.00	
EFM2539T	170017.60	C04	EM3157T	121005.00		EM4404T	170099.60		GPP233121	M1125036.00		IDNM3770T	810157.00	E01	JMM3313T	140619.00	
EFM2543T	170021.60	C04	EM3158T	121516.00		FDL3501M	113256.00		GPP233140	M1115026.00	B36	IM3540A	111304.00		JMM3314T	151380.60	
EFM2547T	170025.60	C04	EM3207T	131971.00		FDL3504M	110086.00		GPP7451	M1135116.00		IR3507M	114932.00		JMM3546T	121855.00	
EFM3211T	G131240.00		EM3211T	131519.00		FDL3507M	110087.00		GPP7452	M1135112.00		IR3510M	114933.00	C25	JMM3550T	121858.00	
EFM3218T	G131239.00		EM3212T	131986.00	F09	FDL3510M	110088.00	F03	GPP7453	M1135111.00		JL1303A	100207.00		JMM3554T	121856.00	
EFM3311T	G140609.00		EM3215T	131972.00		FDL3510TM	121569.00		GPP7454	M1135114.00		JL1306A	100208.00		JMM3555T	121859.00	
EFM3313T	170144.60	C04	EM3218T	131520.00		FDL3514M	110089.00	C39	GPP7455	M1135110.00		JL1309A	100723.00		JMM3558T	121857.00	
EFM4103T	170011.60	C04	EM3219T	131988.00		FDL3514TM	113938.00	C39	GPP7456	M1135108.00		JL1313A	110292.00		JMM3559T	121860.00	
EFM4104T	170015.60	C04	EM3305T	171574.60	C02	FDL3516TM	110090.00		GPP7457	M1135117.00		JL1317A	110293.00		JMM3611T	131579.00	
EL1203	101423.00	C08,C25	EM3309T	171575.60	C02	FDL3610M	131542.00	F09	GPP7458	M1135107.00		JL1323A	110286.00		JMM3613T	131580.00	
EL1301	113765.00	E02	EM3311T	140470.00		FDL3610TM	131542.00		GPP7459	M1135106.00		JL225A	100207.00	H01	JMM3615T	131581.00	
EL1304	113766.00	E02	EM3312T	140753.00		FDL3611M	110090.00	B22	GPP7460	M1135109.00		JL325A	100207.00		JMM3616T	131582.00	
EL1307	101544.00		EM3313T	140472.00		FDL3611TM	131541.00		GPP7461	M1135115.00		JL3503A	113955.00		JMM3709T	132027.00	
EL1310	113630.00		EM3314T	140754.00		FDL3612TM	131543.00		GPP7470	M1135150.00		JL3506A	113956.00		JMM3710T	140622.00	
EL1319	113769.00	E02	EM3545	116129.00		FDL3619TM	131542.00		GPP7471	M1135149.00		JL3509A	113639.00		JMM3711T	131583.00	
EL1319T	120042.00	C08	EM3546	116757.00		FDL3712TM	140414.00		GPP7472	M1135148.00		JL3513A	113640.00		JMM3713T	140764.00	
EL1405T	131515.00	C08	EM3546T	120921.00		FDL3731M	131543.00	B23	GPP7473	M1135147.00		JL3515A	113641.00		JMM3714T	140623.00	
EL1408T	131851.00		EM3546T-5	120122.00		FDL3732M	140707.00	F12	GPP7474	M1135146.00		JL425A	100208.00		JMM4103T	151418.60	
EL1410T	131537.00	C08	EM3550	116758.00		FDL3733TM	140707.00		GPP7475	M1135145.00		JL5003A	116188.00		JMM4104T	151422.60	
EL3501	113765.00	C25,P02	EM3550T	121518.00		FDL3737TM	140706.00		GPP7476	M1135143.00		JL5006A	116186.00		JMM4106T	151569.60	
EL3504	113766.00	C25,P02	EM3554	116759.00		FM2513T	G150065.60	C04	GPP7477	M1135141.00		JL5009A	116185.00		JMM4107T	151417.60	
EL3507	113767.00	C25,P02	EM3554T	120922.00		FM2515T	G150006.60	C04	GPP7478	M1135140.00		JL5030	116183.00		JMM4108T	151420.60	
EL3510	113768.00	C25,F03,P02	EM3555	116760.00		FM2531T	G150009.60	C04	GPP7479	M1135139.00		JL5031	116181.00		JMM4109T	151424.60	
EL3514	113769.00	C25,P02	EM3555T	121519.00		FM2535T	G150013.60	C04	GSL3509M	111330.00		JL525A	100723.00		JMM4110T	151426.60	
EL3514T	113769.00	C05,F05,P02	EM3556	121520.00	F06	FM2539T	G150017.60	C04	HM3108	100029.00	C25	JL625A	110292.00		JMWDM3546T	121579.00	E02
EL3605T	131541.00	C08,F08	EM3558	116761.00	F05	FM2543T	G150021.60	C04	HM3112	100030.00		JL725A	110293.00		JMWDM3550T	121580.00	
EL3609T	131533.00	C08	EM3558T	120923.00		FM3211T	G131240.00		HM3116	115827.00		JL825A	110286.00		JMWDM3554T	121581.00	E02
EL3612T	131538.00	C08	EM3581T	120921.00	C01	FM3218T	G131239.00		HM3154	115825.00		JM3006	102197.00		JMWDM3555T	121582.00	
EM2276T	170122.60		EM3582T	121520.00	C01	FM3311T	G140609.00		HM3154A	111309.00	F03	JM3107	102198.00		JMWDM3558T	121583.00	
EM2332T	170123.60		EM3583T	121518.00	C01	FM3313T	G150144.60	C04	HM3157	115826.00		JM3111	101637.00		JMWDM3559T	121584.00	
EM2333T	170066.60		EM3584T	120922.00	C01	FM3611T	G131237.00		HM3161A	116595.00	P03	JM3115	101638.00		JMWDM3611T	131967.00	
EM2334T	170007.60		EM3586T	121519.00	C01	FM3615T	G131236.00		HM3218TA	G130565.00		JM3120	113891.00		JMWDM3613T	131968.00	
EM2394T	170062.60		EM3587T	120923.00	C01	FM3710T	G140604.00		IDGM2500	M1145131.00	B36	JM3155	113892.00		JMWDM3615T	131969.00	
EM2506T	170145.60	C02	EM3610T	131985.00		FM3714T	G150140.60	C04	IDGM2501	M1145130.00	B36	JM3158	113893.00		JMWDM3616T	131970.00	C39
EM2511T	170146.60	C02	EM3611T	131463.00		GC24302	M1125084.00	B36,C32,S08	IDGM2503	M1145129.00	B36	JM3460	114931.00		JMWDM3710T	140733.00	
EM2513T	170065.60	C02	EM3613T	131987.00		GC24306	M1125083.00	B36,C32,S08	IDGM2506	M1145128.00	B36	JM3463	114208.00		JMWDM3711T	140734.00	
EM2514T	170032.60	C02	EM3615T	131464.00		GC24310	M1125081.00	B36,C32,S08	IDGM2508	M1145127.00	B36	JM3545	114207.00		JMWDM3713T	140736.00	C39
EM2515T	170006.60	C02	EM3660T	131985.00	C01	GC25010	M1145039.00	B36,S08,S11	IDGMP2500	096070.00		JM3550	114206.00		JMWDM3714T	140735.00	C39
EM2516T	170034.60	C02	EM3661T	171320.00		GC25015											

BALDOR-TO-LEESON CROSS REFERENCE

LEESON			LEESON			LEESON			LEESON			LEESON			LEESON		
Baldor Cat. No.	Equivalent Cat. No.	Exception Code	Baldor Cat. No.	Equivalent Cat. No.	Exception Code	Baldor Cat. No.	Equivalent Cat. No.	Exception Code	Baldor Cat. No.	Equivalent Cat. No.	Exception Code	Baldor Cat. No.	Equivalent Cat. No.	Exception Code	Baldor Cat. No.	Equivalent Cat. No.	Exception Code
JPM2542T	801060.00	C02	L1317-50	113905.00		L3508T	110400.00	F05	M1759T	140447.00	C11	M2583T	170255.60	C15	M3463	100960.00	
JPM3154T	121846.00		L1317A	110362.00	P02,F03	L3509	110059.00	F03	M1760T	140448.00		M3003	100027.00	F02	M3531	110441.00	H03
JPM3157T	121847.00		L1318	110004.00	F03	L3509-50	113919.00		M2237	G140578.00	B24	M3006	101447.00		M3532	114618.00	H01
JPM3158T	121849.00		L1318-50	110397.00		L3509M	110142.00	F03	M2238	G150140.60	B24	M3007	100446.00		M3534	101079.00	
JPM3211T	131882.00		L1318M	110167.00	C39,F03	L3510	110209.00	F03	M2275	G140126.00	B24	M3009	110425.00	H03	M3535	110441.00	
JPM3212T	131884.00		L1318T	120044.00		L3510-50	113911.00	F05	M2276T	G150122.60		M3010	100961.00	E02	M3536	114618.00	H01
JPM3218T	131883.00		L1318TM	120003.00	C39	L3510A	110018.00	F03	M2280T	151355.22		M3012	100960.00	E02	M3537	101448.00	E03
JPM3219T	131885.00		L1319	110005.00		L3510M	110023.00	F03	M2332	G150123.60	B25	M3101	110425.00	H03	M3537-5	110714.00	E01
JPM3311T	140667.00		L1319-50	110398.00		L3510T	120025.00		M2332T	G150123.60		M3104	100028.00		M3538	100913.00	
JPM3312T	140655.00		L1319M	110006.00		L3510TM	120008.00		M2333	G150066.60	B25	M3105	110425.00		M3538-5	110199.00	E01
JPM3313T	140668.00		L1319T	120004.00		L3513	110094.00	F03	M2333T	G150066.60		M3107	101448.00		M3538-50	102693.00	
JPM3314T	140656.00		L1320T	120106.00		L3513-50	113920.00	C25,F05	M2334	G150007.60	B25	M3108	100029.00		M3539	110353.00	
JSL1303A	MST1052.00		L1321T	120001.00	P01	L3513M	110109.00	F03	M2334T	G150007.60	C52	M3108A	100796.00	B32	M3541	110313.00	
JSL1306A	MST1072.00		L1321TM	120004.00		L3513T	120130.00		M2334T-12	G150007.60		M3109	110027.00		M3541-50	114306.00	
JSL1309A	MST1102.00		L1322T	120067.00		L3514	110253.00		M2393	G140686.00	B24	M3111	101449.00		M3542	110034.00	
JSL1313A	MST1152.00		L1322TM	120879.00		L3514-50	110424.00	F05	M2394	G151317.60	B24	M3112	100030.00		M3542-5	110178.00	
JSL1317A	MST1202.00		L1401	120044.00	B22	L3514A	110019.00		M2394T	G150062.60		M3112A	100908.00	B32	M3542-50	114307.00	C39
KBL3406	114165.00		L1401M	120003.00	B22	L3514M	113333.00		M2395T	150261.22		M3115	110426.00		M3543	110275.00	F03
KBL3409	111950.00		L1403	120001.00	B22	L3514T	120026.00		M2401T	151356.22		M3116	110029.00		M3543T	121009.00	
KBM3458	114158.00		L1403M	120004.00	B22	L3514TM	120009.00		M2402T	150282.22		M3116A	111311.00	B32	M3543T-5	111394.00	F03
KL1203	100023.00	K89	L1405	131515.00	F08	L3515	110352.00		M2504T	151355.22	C02,E02	M3116T	G120010.00		M3545	110145.00	
KL1205	100354.00	K89	L1405T	131515.00		L3515-50	113928.00	F05	M2505	G140471.00	B24	M3120	110429.00		M3545-5	110715.00	
KL1205A	100355.00	K89	L1405T-50	131553.00		L3515M	110402.00		M2506T	G150145.60	C02	M3120T	G120103.00		M3545-50	114308.00	
KL3403	102866.00		L1406T	131636.00		L3515T	120036.00		M2508T	151356.22	C02,E02	M3153	110028.00		M3546	110035.00	
KL3405	102870.00		L1407	120043.00	B22,E02	L3516TM	110090.00		M2510	G140490.00	B24	M3154	110430.00		M3546-5	110206.00	
KM3003	103014.00		L1408T	131534.00		L3601	120025.00	B22	M2511T	G150146.60	C02	M3154A	111309.00		M3546T	G120014.00	
KM3006	100375.00		L1408T-50	131554.00		L3603	120026.00	B22	M2513T	G140579.00		M3154T	G120011.00		M3546T-50	121096.00	
KM3454	101767.00		L1408TM	131851.00		L3605	131509.00	F08	M2514T	G150032.60	C02	M3155	113292.00		M3546T-8	120047.00	
KM3454-50	102184.00		L1409T	131616.00		L3605M	131509.00	F08,P03	M2515T	G150006.60	C02,C52	M3155T	G120076.00		M3550	110745.00	
KM3457	110446.00	E01	L1410T	131537.00		L3605T	131509.00		M2515T-12	G150006.60	C02	M3156	113933.00	E02	M3550T	G120086.00	
KNM3454	101648.00	C25,C39	L1410TM	131622.00		L3605T-50	131556.00		M2516T	G150034.60	C02	M3156T	G120089.00		M3550T-5	120170.00	C08
KNM3534	102863.00		L1430T	131537.00		L3605TM	131509.00	P03	M2523	G140579.00	B25	M3157	113025.00		M3550T-50	121097.00	
L1200	102012.00	E02	L1430TM	131622.00		L3606	131637.00	F08	M2524T	G150067.60	C02	M3157T	G120012.00		M3554	110444.00	
L1201	102013.00	E02	L1410T	131515.00	B23	L3606T	131637.00		M2527	G150006.60	B25	M3157TA	111310.00	F03	M3554T	G120015.00	C25
L1203	101423.00	P02	L1505	131534.00	B23	L3607	120043.00	B22	M2528T	G150000.60	C02	M3158	113293.00		M3554T-5	120021.00	C08
L1203M	101423.00		L1508T-50	131555.00		L3608T	131549.00		M2531	G150009.60	B26	M3158T	G120077.00		M3554T-50	121093.00	
L1204	102015.00	E02	L1509T	140680.00		L3608TM	132042.00	C39	M2531T	G150009.60	C02	M3159	114930.00	E02	M3554T-8	120032.00	
L1205	100336.00	F02	L1510T	140155.00		L3609T	131533.00		L3609T	131533.00		M3161T	116595.00	F05	M3555	111916.00	F03
L1206	100116.00	P01	L1511T	140681.00		L3609T-50	131557.00		M2532T	G150002.60	C02	M3161TA	116595.00	P03	M3555T	G120088.00	
L1206-50	110394.00	F03	L1512T	140311.00		L3609TM	131855.00	C39	M2534T	G150036.60	C02	M3203	G120010.00	B22	M3555T-50	121094.00	
L1206M	100588.00	F02	L3351	092111.00		L3612TM	131856.00	C39	M2535	G150013.60	B26	M3206	G120011.00	B22	M3556	113933.00	F03
L1207	110001.00	F03	L3353	092114.00		L3613T	131526.00		M2535T	G150013.60	C02,C52	M3207T	G130010.00		M3556T	G120087.00	
L1208	100184.00		L3355	092116.00		L3703	140747.00	C39,F12	M2535T-12	G150013.60	C02	M3208	G120076.00	B22	M3556T-5	120167.00	C08
L1208-50	113901.00	F03	L3356	092112.00		L3705	131855.00	B23	M2536T	G150004.60	C02	M3209	G120012.00	B22	M3557	114930.00	
L1209	100338.00		L3400	102012.00		L3708	142003.00	F12,P02	M2538T	G150038.60	C02	M3210	G120077.00	B22	M3558	113026.00	
L1209-50	110395.00	F03	L3401	102013.00		L3708T	142003.00	F12,P02	L3708T	142003.00		M3211T	G130000.00		M3558T	G120016.00	
L1209M	100004.00	F02	L3403	102014.00		L3708T-50	140475.00	P02	M2539T-12	G150017.60	C02	M3211T/36	G130000.00		M3558T-50	121095.00	
L1300	114617.00	E02	L3403M	101446.00		L3708TM	142023.00	F12	M2540T	G150147.60	C02	M3211TA	G131338.00		M3558T-8	120034.00	
L1301	100006.00		L3404	102015.00		L3709T	140684.00		M2542T	G150040.60	C02	M3212T	G130282.00		M3559	114614.00	C11
L1301M	100588.00		L3405	102016.00		L3710T	140120.00		L3710T	140120.00		M3215T	G130012.00		M3559T	G120185.00	
L1302	110001.00		L3406	100955.00		L3711T	140685.00		M2543T-12	G150021.60	C02	M3216T	131478.00	E02	M3560	114618.00	F03
L1303	100337.00		L3406M	102018.00		L3712T	140581.00		M2544T	G150148.60	C02	M3218T	G130004.00		M3581T	G120014.00	C01,C25
L1304	100007.00		L3407	102019.00		L5001A	111074.00	E01	M2546T	G150042.60	C02	M3218T-8	131500.00		M3582T	G120087.00	C01,C25
L1304-50	110395.00		L3408	102020.00		L5004A	111084.00	F05	M2547T	G150025.60	C02,C52	M3218TA	G130565.00		M3583T	G120086.00	C01,C25
L1304A	100002.00		L3409	100956.00		L5007A	110934.00	F05	M2547T-12	G150025.60	C02	M3219T	G130284.00		M3584T	G120015.00	C01,C25
L1304M	100004.00		L3409M	100956.00	P03	L5023A	110961.00	F05	M2548T	G150149.60	C02	M3220T	131479.00	E02	M3586T	G120088.00	C01,C25
L1305	110002.00	F03	L3500	114617.00		M1504T	120942.00		M2549T	G150044.60	C02	M3303T	140516.00	E02	M3587T	G120016.00	C01,C25
L1306	100340.00		L3501	102931.00		M1506T	131473.00		M2550T	G150151.60	C02	M3304	G131338.00	B23	M3600	114618.00	B22
L1306-50	113902.00		L3501-50	110423.00	C25	M1507T	131472.00	C11	M2551T	G150029.60	C02,C52	M3305T	G140550.00		M3601	121009.00	B22
L1306A	100053.00	P02	L3501M	102933.00		M1508T	140446.00		M2551T-12	G150029.60	C02	M3306T	140516.00	E02	M3602	121199.00	C25,F22
L1307	100008.00		L3502	110009.00		M1554T	120944.00		M2552T	G150150.60	C02	M3307	G130282.00	B23	M3603	G120014.00	B22
L1307-50	110396.00		L3503	102905.00		M1555T	120947.00	C11	M2554T-4	G150154.60	C02,C47	M3308	G130565.00	B23	M3604	G120087.00	B22
L1307A	100003.00		L3503-50	113917.00		M1556T	120946.00		M2555T	G150152.60	C02,C52	M3309T	G140122.00		M3605	G120086.00	B22
L1307M	100005.00		L3504	102906.00		M1557T	131468.00	C11	M2555T-12	G150152.60	C02	M3310	G130284.00	B23	M3606	G120015.00	B22
L1308	110003.00		L3504-50	110064.00		M1558T	131469.00		M2556T-4	G151449.60	C02	M3311T	G140471.00		M3607	116591.00	B22
L1309	110360.00		L3504A	102908.00		M1559T	140443.00		M2557T-4	170259.60	C15	M3311					

BALDOR-TO-LEESON CROSS REFERENCE

LEESON			LEESON			LEESON			LEESON			LEESON			LEESON		
Baldor Cat. No.	Equivalent Cat. No.	Exception Code	Baldor Cat. No.	Equivalent Cat. No.	Exception Code	Baldor Cat. No.	Equivalent Cat. No.	Exception Code	Baldor Cat. No.	Equivalent Cat. No.	Exception Code	Baldor Cat. No.	Equivalent Cat. No.	Exception Code	Baldor Cat. No.	Equivalent Cat. No.	Exception Code
M3611T-50	131459.00		M4316T-12	G150031.60		MM3461	192031.00	C39	MVM3613C	193107.60		PCL1327M	116709.00	F29	RM3108	100145.00	
M3611T-8	131465.00		M4400T	G150087.60	C52	MM3463	192040.00	C39	MVM3613D	193104.60	C02	PCL3513M	115024.00		RM3108A	100796.00	
M3613T	G130101.00		M4400T-12	G150087.60		MM3542	192041.00	C39	MVM3615C	193108.60		PCL3514M	116703.00	F29	RM3111	101773.00	
M3613T-50	131481.00		M4402T-4	G150160.60		MM3545	192050.00	C39	MVM3615D	193105.60	C02	PCL3515M	114995.00	F29	RM3111A	101641.00	
M3614T	G130016.00		M4403T	G150098.60		MM3546	192051.00	C39	MVM3709D	193114.60	C02	PCL3519M	115048.00	C11,F29	RM3112	100146.00	
M3615T	G130027.00		M4404T	G150099.60		MM3550	192060.00	C39	MVM3710D	193115.60	C02	PL1313M	113631.00		RM3112A	100908.00	
M3615T-50	131454.00		M4406T-4	G151371.60		MM3554	192061.00		MVM3711D	193124.60	C02	PL1317M	113632.00		RM3115	114192.00	
M3615T-8	131466.00		M4407T-4	G150352.60		MM3555	192070.00		MVM3714D	193125.60	C02	PL1319M	113266.00		RM3115A	113895.00	
M3616T	G131082.00		M4408T-4	151516.60	F25	MM3558	192071.00		MVM5100C	192017.00		PL1322M	116704.00	F05	RM3116	110052.00	
M3617T	131478.00		M4409T	G151367.60		MM3559	192080.00		MVM5100C-5	192088.00	K10	PL1326M	116706.00	F05	RM3116A	111311.00	
M3618T	131479.00		M4410T-4	G151369.60		MM3611	193081.60	C02	MVM5100D	192014.00		PL1327M	116708.00		RM3120	114194.00	
M3660T	G151563.60		M4411T-4	G151370.60		MM3613	193100.60	C02	MVM5100D-5	192088.00	K01	PL3513M	110109.00		RM3120A	113896.00	
M3661T	G151320.60		M4412T-4	G151368.60		MM3615	193101.60	C02	MVM5150C	192018.00		PL3514M	113333.00	F05	RM3154	110433.00	
M3663T	G150299.60		M44156T-4	171315.60	C15	MM3709	193110.60	C02	MVM5150C-5	192089.00	K10	PL3515M	110402.00	F05	RM3154A	113846.00	
M3664T	G130016.00	C01	M44206T-4	171316.60	C15	MM3710	193111.60	C02	MVM5150D	192015.00		PL3519M	116705.00	F05	RM3155	114196.00	
M3665T	G151322.60		M44304T-4	151529.60		MM3711	193120.60	C02	MVM5150D-5	192089.00	K01	PSC3413A	100699.00		RM3155A	113897.00	
M3667T	G130015.00	C01	M44354T-4	151530.60		MM3714	193121.60	C02	MVM5200C	192027.00		PSC3416A	100700.00		RM3157	114197.00	
M3701	131479.00	B23	M7002A	111932.00	E01	MM4103	193151.60		MVM5200C-5	192097.00	K10	PSC3524A	100701.00		RM3157A	113847.00	
M3702T	140516.00		M7003A	111940.00	E01,F05	MM4104	193161.60		MVM5200D	192024.00		RHM3104	100210.00		RM3158	113926.00	P01
M3703	G130008.00	B23	M7005A	111934.00	E01	MM4110	193171.60		MVM5200D-5	192097.00	K01	RHM3108	100145.00		RM3158TA	113926.00	
M3704	G140551.00	F12	M7006A	111929.00	E01	MM5100	192010.00		MVM5250C	192028.00		RHM3108A	100796.00		RM3161TA	116593.00	
M3704T	G140551.00		M7007A	111938.00	F05	MM5100-5	192088.00		MVM5250C-5	192098.00	K11	RHM3111	101773.00		RSP1441A	191868.00	
M3705T	140518.00		M7009A	111937.00		MM5150	192011.00		MVM5250D	192025.00		RHM3111A	101641.00		RSP1442A	191868.00	
M3706	G130101.00	F09	M7010A	111923.00		MM5150-5	192089.00		MVM5250D-5	192098.00	K02	RHM3112	100146.00	F05	RSP2441A	191869.00	
M3707	G130027.00	F09	M7013	111942.00		MM5200	192020.00		MVM5300C	192037.00		RHM3112A	100908.00		RSP2442A	191869.00	
M3708T	G140126.00		M7014	111922.00	P01,F05	MM5200-5	192097.00		MVM5300C-5	192106.00	K11	RHM3115	114192.00		RSP3441A	191870.00	
M3709	G130103.00	F12	M7014T	111922.00	F05,P01	MM5250	192021.00		MVM5300D	192034.00		RHM3115A	113895.00	F03	RSP3442A	191870.00	
M3709T	G130103.00		M7018T	G120489.00		MM5250-5	192098.00		MVM5300D-5	192106.00	K02	RHM3116	110052.00		UCL1015	140640.00	
M3710T	G140578.00		M7019	G120490.00	B22	MM5300	192030.00		MVM5350C	192038.00		RHM3116A	111311.00		UCL570	131847.00	
M3710T-5	140593.00		M7023	G120391.00	B22	MM5300-5	192106.00		MVM5350C-5	192107.00	K11	RHM3120A	113896.00		UCL710	131848.00	
M3710T-8	131467.00		M7026	G120387.00	B22	MM5350	192031.00		MVM5350D	192035.00		RHM3154	110433.00		UCM1014	140641.00	
M3711T	G140686.00		M7027	G158362.00	B23	MM5350-5	192107.00		MVM5350D-5	192107.00	K02	RHM3154A	113846.00		UCM575	131849.00	
M3712	G130016.00	B23	M7030	G158366.00	B23	MM5400	192040.00		MVM5400C	192047.00		RHM3155A	113897.00		UCME1014	140641.00	
M3713T	G140687.00		M7034T	G120490.00		MM5400-5	192115.00		MVM5400C-5	192115.00	K11	RHM3157	114197.00		UCM570	131849.00	
M3714T	G140489.00		M7037T	G120391.00		MM5450	192041.00		MVM5400D	192044.00		RHM3157A	113847.00		VBM3108	114156.00	
M3714T-8	140013.00		M7042T	G158362.00	C02	MM5450-5	192116.00		MVM5400D-5	192115.00	K02	RHM3158	113926.00		VBM3112	114157.00	
M3764T	G140551.00	C01	M7044T	G158366.00	C02	MM5500	192050.00		MVM5450C	192048.00		RHM3158TA	113926.00		VBM3116	114166.00	
M3768T	G140126.00	C01	M7045T	G158158.00	C02	MM5500-5	192124.00		MVM5450C-5	192116.00	K12	RHM3161TA	116593.00		VBM3116T	121678.00	
M3769T	G150158.60		M7047T	G158157.00	C02	MM5550	192051.00		MVM5450D	192045.00		RHM3162TA	121665.00		VBM3154	116766.00	
M3770T	G150157.60		M7053T	G158000.00		MM5550-5	192125.00		MVM5450D-5	192116.00	K03	RL1205A	101431.00	C11	VBM3157T	120373.00	
M3771T	G150159.60		M7054T	G158001.00		MM5600	192060.00		MVM5500C	192057.00		RL1208A	101432.00	C11	VBM3211T	131624.00	
M3774T	G150140.60		M7056T	G158010.00		MM5600-5	192133.00		MVM5500C-5	192124.00	K12	RL130	100012.00	F05	VBM3218T	131625.00	
M4100T	G150068.60		M7058T	G825047.00		MM5650	192061.00		MVM5500D	192054.00		RL1301A	100110.00		VBM3248T	131625.00	
M4102T	G150001.60		M7059T	G825039.00		MM5650-5	192134.00		MVM5500D-5	192124.00	K03	RL1301A277	102964.00		VBM3538	114159.00	E02
M4103	G150011.60	B26	M7060T	G825041.00		MM5700	192070.00		MVM5550C	192058.00		RL1304A	100011.00		VBM3542	114160.00	E02
M4103T	G150011.60	C52	M7062T	G825043.00		MM5700-5	192142.00		MVM5550C-5	192125.00	K12	RL1304A277	102965.00		VBM3542-5	110177.00	K91
M4103T-12	G150011.60		M7063T	G825046.00		MM5750	192071.00		MVM5550D	192055.00		RL1306A	100603.00	F05	VBM3546	114161.00	
M4104	G150015.60	B26	M7064T	G825045.00		MM5750-5	192143.00		MVM5550D-5	192125.00	K03	RL1307A277	102966.00		VBM3546T	121556.00	
M4104T	G150015.60	C52	M7066T	G825002.00		MVM3457D	192024.00		MVM5600C	192067.00		RL1309A	110478.00		VBM3546T-5	120176.00	K91
M4104T-12	G150015.60		M7067T	G825042.00		MVM3458C	192028.00		MVM5600C-5	192133.00	K12	RL1310A	100065.00		VBM3554	116768.00	
M4106	G150033.60	B25	M7068T	G825005.00		MVM3458D	192025.00		MVM5600D	192064.00		RL1310A277	116599.00		VBM3554T	120331.00	
M4106T	G150033.60		M7071T	G120491.00		MVM3460C	192037.00		MVM5600D-5	192133.00	K03	RL1313A	110479.00		VBM3558T	120332.00	
M4107	G150035.60	B26	M7072T	G158319.00	C02	MVM3460D	192034.00		MVM5650C	192068.00		RL1317A	113633.00		VBM3611T	131610.00	
M4107T	G150035.60		M7074T	G158159.00	C02	MVM3461C	192038.00		MVM5650C-5	192134.00	K13	RL1319A	110579.00		VBM3615T	131611.00	
M4108T	G150037.60		M7075T	G120387.00		MVM3461D	192035.00		MVM5650D	192065.00		RL1319A277	116600.00		VBM3710T	131612.00	
M4109T	G150039.60		M7081T	G825044.00		MVM3463C	192047.00		MVM5650D-5	192134.00	K04	RL132	100065.00	F05	VBM3714T	140637.00	
M4110T	G150019.60	C52	M7083T	G825040.00		MVM3463D	192044.00		MVM5700C	192077.00		RL1323A	100064.00		VEM3545	116748.00	
M4110T-12	G150019.60		M7090T	G825008.00		MVM3542C	192048.00		MVM5700C-5	192142.00	K13	RL144A	100109.00		VEM3546	114638.00	
M4111T	G150003.60		M7134T	G120490.00	C01	MVM3542D	192045.00		MVM5700D	192074.00		RL224A	101431.00	C11	VEM3550	116750.00	
M4112T	150263.																

MARATHON-TO-LEESON CROSS REFERENCE

LEESON			LEESON			LEESON			LEESON			LEESON			LEESON		
Marathon Cat. No.	Equivalent Cat. No.	Exception Code	Marathon Cat. No.	Equivalent Cat. No.	Exception Code	Marathon Cat. No.	Equivalent Cat. No.	Exception Code	Marathon Cat. No.	Equivalent Cat. No.	Exception Code	Marathon Cat. No.	Equivalent Cat. No.	Exception Code	Marathon Cat. No.	Equivalent Cat. No.	Exception Code
143A	175034		A645	175691		C238	131510		E228	170160		E748	G150149		E965	G150007	C02
145A	175035		A647	175192		C250	120098		E231	131980	C01	E749	G150150		E966	G150005	
1814T	175091		A648	175192		C252	131525		E232	131981	C01	E753	G150151		E967	G130099	
182A	175036		A649	175192		C253	131642		E235	170122		E754	G150154		E968	G150001	
184A	175037		A650	175118		C254	140535		E236	170123		E755	G151449		E969	G140686	
2118T	175092		A651	175119		C260	121035		E237	170068		E759	150212	C02,E02	E970	G140126	
213A	175038		A655	175077		C276	120824	P02	E238	170001		E760	150116	C02,E02	E971	G150039	
215A	175039		A691	175676		C282	121008		E239	170003		E761	150117	C02,E02	E972	G130103	
254B2	175040		A692	175675		C284	121060		E240	170005		E762	150118	E02	E974	G150033	C02
256B2	175041		A694	175677		C301	111939	C01,P01	E241	170096		E763	150119	E02	E975	G150035	
25U21T	175093		A695	175678		C321	111941	C01,P01	E242	170097		E764	150120	E02	E975	G151318	
284B2	175042		A763	E175927		C322	121178	C01,P01	E243	170098		E765	150121	E02	E976	G150041	
286B2	175043		A764	E175921		C401	G121051		E244	170099		E766	150239	E02	E978	G150068	
28U25T	175094		A772	E175928		C403	G121052		E246	170260		E783	G120103		E979	G120087	
324B2	175044		A775	E175922		C405	G131617		E247	170352	C09	E784	G120077		E980	G140551	
326B2	175045		A776	E175930		C406	G131618		E276	151516	C09	E793	G150009		E982	G130015	
32U28T	175095		A778	E175924		C407	G140605		E277	151529	C09	E798	120170	E02	E983	G150015	
364B2	175046		A779	E175929		C408	G140639		E278	151530	C09	E800	150118		E984	G150019	
365B2	175047		A780	E175931		D010	110160		E295	171523		E801	G150023		E985	G150043	
36U32T	175097		A781	E175923		D012	110232		E303	171320	E02	E802	G150027		E986	G151371	
404B2	175048		A782	E175925		D013	110222		E304	131461	C01	E803	G150098		E987	G151369	
405B2	175049		A903	175131		D017	111275		E305	131546	C01	E804	G150031		E988	G150096	
40U36T	175098		A904	175132		D018	110161		E306	150212		E805	150244		E989	G150352	C09
444B2	175088		A906	175133		D110	101432	C12	E307	150116		E806	G150099		E991	G150045	
445B2	175089		A907	175134		D111	100011	C09	E308	150117		E807	G150160		E992	G151368	
447B2	175090		B193	113926		D113	100012	P01	E309	150118		E809	G151367		E993	G150097	
44U40T	175127		B210	100010		D114	110007		E310	150119		E815	150120		E994	G120088	
A204	175844		B310	113027		D115	110479		E311	150120		E816	G150019		E995	G130016	
A206	175844		B311	110007		D116	113633		E312	150121		E817	150119		E996	G150066	C02
A209	175191		B314	100014		D117	100603	C09	E313	150239		E818	G150015		E997	150116	C02
A214	175062		B315	100110	F01	D118	110478	C09	E314	150253		E819	150228		E998	150117	C02
A216	175060		B316	100015		D311	110310	B34	E315	150244		E820	G150003		E999	G150011	
A217	175063		B317	100011		D312	112135	B34	E318	150228		E821	150197	C02	F101	113256	
A219	175060		B318	100016		D313	110180	B34	E319	150232		E822	140013		F102	110086	
A220	175063		B319	100012		D314	110909	B34	E348	121199		E823	G130015		F103	110087	
A223	175199		B330	110579		D315	113931	B34	E354	G120016		E824	120047		F104	110088	
A226	175199		B336	110579	P01	D391	114142	B34	E702	G120076		E827	120122		F105	110089	
A229	175664		B352	113608		D392	110915	B34	E704	G130282		E832	G120086		F131	116485	
A232	175664		C101	121668		D393	110181	B34	E705	G130284		E834	120170		F132	116486	
A239	175191		C102	121670		D394	110917	B34	E706	G140682		E836	120032		F133	116487	
A284	175191		C103	121187		D395	113927	B34	E707	G140683		E838	120021		F134	116488	
A287	175058		C104	131779		D396	114615	B34	E708	G150032	C02	E843	120171		F135	116489	F04
A297	175177		C105	131780		D400	114165		E709	G150034	C02	E845	120034		F201	101435	
A298	175178		C106	140688		D401	111950		E710	G150036		E847	120019		F202	101436	
A299	175179		C111	120063		D402	114167		E711	G150038		E849	G130016		F203	101437	
A301	175139		C120	120172		D403	111951		E712	G150040		E905	131500		F204	113302	
A302	175140		C121	120081		D450	110669		E713	G150042		E906	131547		F205	113301	
A303	175141		C122	120035		D452	114154		E714	G150044		E907	140004		G044	100027	F02
A306	175659		C123	131489		D453	114152		E715	115827		E913	120011	E02	G047	100028	
A307	175660		C124	131490		D454	114155		E716	G120011		E914	120019	E02	G061	110425	
A395	175063		C125	140580		D456	110679		E717	G120012		E920	170025		G063	100029	
A396	175063		C126	140108		D547	116768	B33	E718	G130000		E921	170029		G065	110199	E01
A435	175075		C150	120082		E202	171322		E719	G130004		E927	121003		G079	110027	
A436	175181		C152	132059		E203	170157		E720	G140147		E928	121004		G076	100115	P01
A437	175076		C153	140765		E203	G140578	C01	E721	G140490		E929	121005		G078	101423	
A438	175077		C154	140766		E204	170140		E722	G150065		E930	131519		G080	101149	
A569	175850		C162	121669		E205	170066		E723	G150006		E931	131520		G084	100030	
A570	175852		C163	121405		E206	170007		E724	G150009		E934	120167	E02	G086	110178	E02
A571	175854		C171	120073		E207	170011		E725	G150013		E940	170065		G088	110028	
A572	175856		C174	131544		E208	170015		E726	G150017	C02	E941	170006		G091	100336	F02
A573	175882		C201	120105		E209	170019		E727	G150021	C02	E942	170009		G093	100006	
A574	175884		C202	120061		E210	170023		E728	G120089		E943	170013		G094	100116	
A575	175886		C203	131513		E211	170027		E729	G130010		E944	170017	C02	G095	100588	
A576	175888		C204	131514		E212	170031		E730	G130012		E945	170021	C02	G096	110001	
A577	175890		C205	131912		E213	170087		E731	G140550		E945	G150021		G098	100184	
A601	175191		C206	140690		E214	170369		E732	G140122		E950	G120014		G100	111311	
A603	175077		C220	120024		E215	170371		E733	G150145	C02	E951	G120015		G101	100908	
A606	175845		C221	120037		E216	131985	C01	E734	G150146	C02	E952	G120016		G106	101520	
A608	175067		C222	120038		E217	131987		E735	G150067		E953	G130008		G107	100796	
A609	175844		C223	131491		E218	170158	E02	E736	G150000		E954	G130027		G109	100145	
A610	175058		C224	131492		E219	170159		E737	G150002		E955	G140578		G115	100109	C09
A611	175061		C225	151346	C02	E220	170062		E738	G150004		E956	G140489		G120	111311	P01
A612	175067		C226	140109		E221	170033		E739	G150025		E957	G150031		G126	113846	
A613	175059		C227	151350	C02	E222	170035		E740	G150029		E959	G150087		G127	113847	P01
A614	175062		C230	120176		E223	170037		E741	G150152		E960	G150043		G128	113847	
A615	175061		C231	120177		E224	170039		E742	G150155		E961	G150011		G135	100010	C09
A620	175664		C232	120178		E225	170041		E743	G151522		E962	G150023		G151	100011	C09
A621	175664		C236	120993		E226	170043		E746	G150147		E963	G130101		G156	100016	
A644	175691		C237	140691		E227	170045		E747	G150148		E964	G150037		G162	100210	

MARATHON-TO-LEESON CROSS REFERENCE

LEESON			LEESON			LEESON			LEESON			LEESON			LEESON		
Marathon Cat. No.	Equivalent Cat. No.	Exception Code	Marathon Cat. No.	Equivalent Cat. No.	Exception Code	Marathon Cat. No.	Equivalent Cat. No.	Exception Code	Marathon Cat. No.	Equivalent Cat. No.	Exception Code	Marathon Cat. No.	Equivalent Cat. No.	Exception Code	Marathon Cat. No.	Equivalent Cat. No.	Exception Code
G167	101641		G379	110108		G873	116611		I214	131538		K801	110915		M330	151381	
G180	113895		G383	110745		G874	116612		I215	140120		K802	120485		M331	151362	
G183	113896		G384	111916		G875	116613		I217	140581		K803	110181		M332	151382	
G186	113897		G385	114614		G876	116614		I220	120130		K804	110917		M333	801028	
G201	100048		G386	120423		G910	100007	C09	I221	120036		L409	131478		M334	801040	
G203	100049		G390	110142		G911	100002		I223	131549		L410	131479		M335	801041	
G205	100378		G391	110109		G912	100004		I224	140684		L412	151355		M351	801029	
G207	100050		G392	110402		G913	110002		I225	140685		L413	151356		M352	801030	
G209	110111		G393	110141		G915	100340	F02	I305	131853		L414	150282		M353	151361	
G212	100023	F02	G396	115024		G917	100008	C09	I308	131854		L415	150261		M354	151381	
G216	100354	F02	G396	116703		G918	100003	C09	I314	131857		L416	150263		M358	801042	
G221	110043		G507	102860		G919	100005	C09	I314	131994		L417	150265		M360	131562	
G223	110437		G508	110176		G923	111309		I315	131995		L454	151516	C09	M361	131562	
G225	110044		G511	102866		G930	110003		I315	131858		L455	151516		M362	131574	
G227	113894		G513	101766	F02	G932	110360		I700	121507	C48	L462	151529	C09	M363	131574	
G229	115553		G514	102864		G934	110004		I704	131855		L463	151529		M401	121855	
G230	100024	F02	G515	102862		G935	110000		I706	131856		L467	151530	C09	M402	121856	
G232	100356	F02	G516	110413		G936	110167		J009	100204		L633	131465		M403	121859	
G234	100025	F02	G517	110057		G936	113630		J013	100205		L909	G130027		M404	121857	
G238	100357	F02	G518	110416		G936	120003		J017	100722		M105	121846		M406	131579	
G240	100375		G519	110059		G937	110361		J019	110288		M106	121846	K83	M407	131580	
G241	100056		G522	110047		G939	110005		J021	110289		M109	121847		M408	131581	
G242	110176	E01	G523	110177		G950	113266	P01	J023	110280		M110	121847	K83	M411	131583	
G243	110177	E01	G527	110048		G951	110006		J034	100207		M111	121849		M414	801071	
G244	110204	E01	G528	110204		G951	120004		J035	100208		M112	121849	K83	M415	121858	
G245	101648	E01	G530	110419		G952	110363		J036	100723		M113	131860		M416	131582	
G245	103014		G531	110420		G958	113266		J037	110292		M114	131862		M417	801070	
G246	116728		G533	110422		G966	100908	P01	J038	110293		M115	131861		M418	121860	
G248	110434		G534	102870		G976	113632		J039	110286		M116	131863		M420	801075	
G250	100026	F02	G541	110125		G979	116704		J041	102199		M117	140653		M421	801076	
G254	110384		G544	110451		G986	110110	P01	J042	101776		M118	140655		M422	131579	
G256	110220		G547	101767		G987	113631		J043	101775		M119	140654		M423	131580	
G258	110387		G548	111444		G996	116706		J044	114203		M120	140656		N302	112627	E02
G270	110388		G550	114144		H502	G825020		J045	114202		M121	801051		N305	112427	E02
G272	110390		G551	110734		H513	G825019		J046	114201		M123	801056		N306	112428	E02
G278	110381		G552	110905		H580	G825019		J049	113028		M124	801052		N307	112427	E02
G289	114420		G553	110908		H581	G825020		J050	113029		M125	801057		N308	112428	E02
G290	113700		G559	110310		H613	131500		J051	113030		M126	801053		N309	112627	E02
G303	101079		G560	114141		H616	131547		J052	113031		M127	801058		N310	G120585	E02
G306	110441		G561	114140		H619	140004		J053	113032		M128	801054		N311	G120858	E02
G308	100905		G562	110916		H664	120047		K000	110426		M129	801059		N312	G120586	
G309	110714	E01	G563	110912		H665	120032		K004	110029		M130	801055		N313	115751	
G316	114617		G564	110918		H666	120034		K009	110429		M133	801060		N314	G130662	
G321	100913		G569	114142		H668	131466		K016	101544		M163	131861	K84	N315	G131775	
G322	110199	E01	G570	114144	B34	H669	131467		K022	110430		M164	131863	K84	N316	G130662	
G324	110353		G571	110734	B34	H670	140013		K025	113292		M165	140653	K85	N317	G131776	
G326	110313		G572	110905	B34	H700	121009		K027	101448		M166	140655	K85	N318	G140280	
G327	110354		G573	110908	C46	H710	G130008		K041	113025		M167	140654	K85	N319	G140281	
G329	110034		G574	110910	B34	H803	116595		K048	113293		M168	140656	K85	N400	115633	
G330	113635		G577	114143	B34	H956	151457		K061	110893	E02	M170	131860		N401	115634	
G331	114613		G580	110911	B34	H957	151461		K064	115825	P03	M171	131860	K84	N402	115635	
G332	114619		G581	114140	B34	I101	120107		K065	115826	P03	M172	131862		N403	121419	
G333	110009		G582	110916	B34	I102	120106		K073	110362	P02	M176	131862	K84	N404	G121420	
G337	110012		G583	110912	B34	I103	131636		K136	110478		M301	121850		N405	G121421	
G338	110016		G584	110918	B34	I104	131616		K152	113633		M305	121851		N520	113473	
G339	110021		G588	110914	B34	I105	140680		K219	116707		M306	121851		N521	113019	
G340	110178		G589	116340		I106	140681		K232	113281		M307	121853		N522	113020	
G342	110275		G647	111932		I110	120044		K233	113334	P01	M308	121853		N523	114313	
G344	110145		G648	111934		I111	120042		K236	101651	P03,F02	M309	121852		N524	114314	
G345	110715		G651	111074		I112	131515		K237	101650	P03,F02	M310	121852		N525	114315	
G347	110035		G654	111084		I113	131534		K319	114955		M311	121854		N526	114316	
G348	110206		G657	110934		I114	131537		K319	121625	F07	M312	121854		N527	114317	
G350	110011		G659	110961		I115	140155		K338	116705		M313	131562		N528	114318	
G352	110276		G660	111929		I116	140311		K339	110399		M314	131562		N529	114319	
G354	110013		G660	111937		I118	120067		K350	110352		M315	131574		N530	114310	
G355	110017		G661	111923		I119	131852		K402	113311		M316	131574		N531	114311	
G356	110022		G662	111942		I119	131622		K403	110163		M317	131563		N532	114312	
G357	110400		G663	111922		I122	120879		K404	120097		M318	131563		N540	113582	
G359	110059		G828	111931		I130	131851		K406	113890		M319	131576		N541	112528	
G360	113933		G829	111930		I143	140747		K407	112379		M320	131576		N542	113583	
G365	110444		G840	111935		I147	113608	P01	K420	101646		M321	140618		N543	112529	
G369	113026		G841	111926		I201	120009		K421	101647		M322	140619		N544	113584	
G371	110209		G853	111075		I203	120395		K422	100961		M323	131577		N545	113300	
G372	110018		G854	111098		I204	120341		K618	115048		M324	131577		N556	113580	
G373	110023		G855	111085		I206	131637		K619	112135		M325	140619		N557	112526	
G374	110094		G856	111097		I210	120025		K630	110180		M326	140619		N558	113581	
G376	110253		G857	111086		I211	120026		K631	110909		M327	151380		N559	112527	
G377	110019		G858	111096		I212	131509		K700	114198	B34	M328	151380		N564	112523	E02
G378	113333		G870	110852		I213	131533		K800	110914		M329	151361		N567	113588	

Cross Reference

MARATHON-TO-LEESON CROSS REFERENCE

Marathon Cat. No.	LEESON Equivalent Cat. No.	Exception Code	Marathon Cat. No.	LEESON Equivalent Cat. No.	Exception Code	Marathon Cat. No.	LEESON Equivalent Cat. No.	Exception Code	Marathon Cat. No.	LEESON Equivalent Cat. No.	Exception Code	Marathon Cat. No.	LEESON Equivalent Cat. No.	Exception Code	Marathon Cat. No.	LEESON Equivalent Cat. No.	Exception Code
N569	113589		R302	192012		S127	101015	C09	U633	G150122		U781	170144	C02	Y582	810001	
N587	112643		R303	192020		S128	100064	C09	U636	G150159		U782	170044		Y590	810547	
N588	112644		R304	192021		T014	110108		U637	150197		U783	170029		Y595	810157	
N589	121039		R305	192022		T016	110142		U638	150198		U784	170151		Y965	G120587	E02
N591	113588		R306	192030		T018	110109		U639	G150140		U903	150253	E02	Y967	G120588	
N592	113589		R307	192031		T019	110402		U640	150212	C02	U930	111922	C01	Y972	120761	
N593	113587		R308	192032		T031	120341		U641	150212		U932	G120489	C01	Y973	120762	
N595	113589		R309	192040		U004	G158362		U642	G150123		U933	G120490	C01	Z115	140209	
N595	112524		R310	192041		U005	G158366		U644	G150062		U935	G120491	C01	Z116	140414	
N596	113591		R311	192042		U006	G158157		U645	150198	C02	U936	G120391	C01	Z117	140223	
N599	113587		R312	192050		U007	G158140		U647	G150066		U938	G120387	C01	Z119	131541	
N600	115744		R313	192051		U008	G158001		U648	150116		U939	G158362		Z120	131542	
N601	113589		R314	192052		U009	G158010		U649	G150033		U941	G158319		Z121	131543	
N602	112524		R315	192060		U010	G825047		U650	150199		U942	G158366		Z122	140130	
N603	G120587	E02	R316	192061		U011	G825041		U652	G150007		U944	G158158		Z123	121569	
N604	115745		R318	192070		U012	G825043		U653	150117		U945	G158157		Z128	110090	
N605	113591		R319	192071		U013	G825045		U654	150224		U947	G158159		Z305	131847	
N606	112643		R320	193072		U014	G825002		U659	150121		U948	G158140		Z308	140640	
N608	115746		R321	192080		U015	G825005		U660	150239		U950	G158000		Z313	131848	
N609	113592		R322	193081		U016	G825008		U661	150253		U951	G158001		Z315	140640	
N610	121039		R324	193100		U017	G825011		U663	G151370		U953	G825039		Z401	120996	
N611	112644		R325	193101		U018	G825014		U668	131466		U954	G158010		Z403	120994	
N612	G120588		R326	193102		U019	G825017		U669	G150352		U956	G825046		Z404	121190	
N613	G120911		R327	193110		U056	G158001		U670	G140687		U957	G825047		Z405	132073	
N614	G130664		R328	193111		U057	G158010		U671	150196		U959	G825040		Z406	131640	
N615	G131167		R329	193112		U061	G158319		U701	G121286		U960	G825041		Z407	131604	
N616	G131171		R330	193120		U062	G158158		U704	G121287		U962	G825042		Z408	131641	
N617	G131165		R331	193121		U063	G158159		U707	G120276		U963	G825043		Z409	131605	
N618	G140466		R332	193122		U064	G158000		U710	G130326		U965	G825044		Z410	140642	
N619	G140464		R333	193130		U065	G825039		U713	G130328		U966	G825045		Z411	140643	
N620	112547	E02	R334	193131		U066	G825046		U716	G140183		U968	G825001		Z412	140644	
N640	113649		R335	193132		U067	G825040		U719	G140147		U969	G825002		Z413	140645	
N641	113954		R336	193140		U068	G825042		U722	G150102	C02	U971	G825004		Z427	131589	
N642	113473		R337	193141		U069	G825044		U724	G150080	C02	U972	G825005		Z429	140646	
N643	113022		R338	193142		U070	G825001		U725	G150081		U974	G825007		Z431	140647	
N644	113019		R339	193150		U071	G825004		U726	G150082		U975	G825008		Z502	131534	
N645	113023		R340	193151		U072	G825007		U727	G150083		U977	G825010		Z506	131537	
N646	113020		R341	193152		U073	G825010		U728	G150084		U978	G825011		Z602	098002	
N647	120760		R342	193160		U074	G825013		U729	G150085		U980	G825013		Z603	098003	
N648	113024		R343	193161		U075	G825016		U730	G150086		U981	G825014		Z604	098004	
N649	113024		R344	193162		U086	G825014		U733	G121290		U983	G825016		Z605	098005	
N650	120761		R345	193170		U087	G825017		U735	113927		U984	G825017		Z608	108014	
N651	113593		R346	193171		U401	G120172		U739	G151446	C02	X024	100699		Z609	108015	
N652	121040		R347	193172		U402	G131249		U741	G131774		X025	100700		Z610	108018	
N653	114616		R348	193180		U403	G130327		U744	G140696		X026	100701		Z611	108019	
N654	120762		R349	193181		U404	G131250		U746	G150103	C02	X030	100699		Z612	108022	
N655	120987		R350	193182		U405	G150170	C02	U748	G150079	C02	X031	100700		Z613	108023	
N656	131596		S003	101423	P02,C09	U405	G140589		U749	G150106		X032	100701		Z615	128000	
N657	131595		S006	100006	C09	U427	131500		U750	G150108		X500	116772	S14	Z617	128001	
N658	131597		S010	100006	C09	U429	131547		U751	G120428		X501	116773	S14	Z619	108052	
N659	131594		S011	100116	C09	U432	G140692		U753	G131497		X513	115778		Z630	108423	
N660	140467		S012	100007	C09	U433	G140146		U754	G140602		X523	115779		Z634	108226	
N661	140465		S013	100002	C09	U435	G140693		U755	G140482		X902	111330		Z635	108227	
N680	112431		S014	100008	C09	U436	G150175	C02	U756	G150138	C02	X920	191872		Z636	108228	
N681	112432		S022	100007	C09	U437	G150070	C02	U757	G150139	C02	X921	191871		Z638	108230	
N682	112626		S025	100115	C09	U438	G150071	C02	U758	121003		X922	191873		Z639	108231	
N684	131571		S026	100116	C09	U440	G150023	C02	U759	121004		X923	191891		Z641	108232	
P001	102197		S027	100002	C09	U442	G151377	C02	U760	121005		X924	191892		Z652	118015	
P002	102198		S030	100588		U444	G151378	C02	U761	131519		X925	191893		Z654	118016	
P003	101637		S033	100004		U446	G151379	C02	U762	131520		Y302	131849		Z655	118017	
P004	101638		S036	100005		U602	G130099		U763	170142		Y303	131850		Z656	118018	
P005	113891		S037	110004		U605	131465		U764	170143		Y304	140641		Z657	118019	
P006	113893		S038	110000		U608	131460		U765	170144		Y509	810066		Z660	108045	
P007	113893		S039	110167		U609	131460		U766	170064		Y510	810007		Z662	108046	
P101	110446		S102	100111	P01,C09	U613	G150299		U767	170065		Y525	810548		Z663	108050	
P102	114176		S103	100111	C09	U614	131552		U768	170032		Y526	810546		Z664	108047	
P102	114931		S106	100014	C09	U615	131552	C01	U769	170006		Y527	811320		Z665	108051	
P103	110448		S110	100014	C09	U616	131466		U769	170006		Y533	811530		Z667	108052	
P103	114208		S111	101015	C09	U619	131461		U770	170034		Y554	810068		Z669	108053	
P104	110112		S112	100015	C09	U620	131461	C01	U771	170009		Y564	811322				
P104	114207		S113	100064	C09	U621	G140126	C01	U772	170036		Y569	810011				
P105	110192		S114	100016		U624	170158		U773	170013		Y573	810027				
P105	114206		S115	100065	C09	U624	G131774	C01	U774	170038		Y574	810031				
P106	111273		S116	113027		U625	150196		U775	170017		Y575	810087				
P106	114205		S117	110054		U627	131467		U776	170040		Y576	811369				
P107	114204		S118	100111	C09,P01	U630	131546		U777	170021		Y577	811371				
P107	111630		S119	100111	C09	U631	131546	C01	U778	170042		Y578	810503				
R300	192010		S120	100015	C09	U632	G150122	C02	U779	170025		Y579	811516				
R301	192011		S126	100111	C09	U633	G150157		U780	170142	C02	Y580	811529				

Cross Reference

MAGNETEK/A.O. SMITH TO-LEESON CROSS REFERENCE

Magnetek/ A.O. Smith Cat. No.	LEESON Equivalent Cat. No.	Exception Code	Magnetek/ A.O. Smith Cat. No.	LEESON Equivalent Cat. No.	Exception Code	Magnetek/ A.O. Smith Cat. No.	LEESON Equivalent Cat. No.	Exception Code	Magnetek/ A.O. Smith Cat. No.	LEESON Equivalent Cat. No.	Exception Code	Magnetek/ A.O. Smith Cat. No.	LEESON Equivalent Cat. No.	Exception Code	Magnetek/ A.O. Smith Cat. No.	LEESON Equivalent Cat. No.	Exception Code
1-103017-2	175004		A023	111938	E02,F05	B3204	113847	S07	B815	113931	F05,C10	C224	100588		C774	110167	
175755.01	175659		A024	114627		B374	100207		B816	110422	C10	C225	114619		C775	110006	F05
175755.02	175139		A025	114629		B375	100208		B819	110232	C10	C226	100014		C775	113266	F05
175755.03	175177		A026	114631		B376	100723		B860	114215	C07	C235	100024		C776	113700	F05,C07
175755.04	175660		A027	111931		B380	110161	C10	B861	114995	F05	C236	102867		C777	110910	
175755.05	175140		A028	111930		B382	115048		B870	114214	C07	C308	100001		C802	110352	F05
175755.06	175178		A029	111935		B382	121060	C07,F06	B871	110909	T01	C309	100010	C46	C824	114144	B34
175755.07	175662		A030	111926		B384	116789		B871	115024		C310	113256	E02,C39	C826	110734	B34
175755.08	175141		A031	111941		B386	111275	B30	B888	110310	B34	C311	110086	C39	C828	110905	B34
175755.09	175179		A113	G120391		B412	102016	F01	B889	112135	B34	C312	110087		C830	110908	B34,F04
4-308681-04	175034		A130	G120489	F05	B413	100361	T01	B890	110180	B34	C313	110088		C831	110910	B34
4-308681-05	175035		A131	G120490		B415	113955	H01	B891	110909	B34,F04	C314	110089		C832	120274	B34,F07
4-308681-06	175036		A132	G120491		B420	114145	E02	B892	113931	B34	C315	100025		C907	102862	
4-308681-07	175037		A228	G120387		B421	102873		B893	121060	F07,B34	C316	100026		C916	110057	
4-308681-08	175038		A229	G158362	T02	B509	110278		BF1052	101432	C11	C317	111330		C926	110058	
4-308681-09	175039		A230	G158319	T02	B512	100337		BK1054	100011	C03,C28	C319	110090		CP1072M	110160	H02
4-308681-10	175040		A231	G158366	T02	B514	113955		BK1072	100603	C03,C28	C320	100004		CP1072M	100053	
4-308681-11	175041		A328	G158158	T02	B518	110310		BK1074	100012	C03,C28	C322	110011		CP1102M	110160	
4-308681-13	175043		A329	G158157	T02	B519	102864		BK1102	110478	C03,C28	C323	100005		CP1152M	110161	C10
4-308681-14	175044		A330	G158159	T02	B570	110293	C10	BK1104	110007	C03,C28	C324	110003		CP1202M	110232	
4-308681-15	175045		A331	G158140	T02	B587	113939		BK1154	110579	C03,C28	C325	100004		CP1302M	110222	C10
4-308681-16	175046		A400	G158001	T02	B588	100603		BK12	175674		C326	110734		CP1502M	120554	
4-308681-17	175047		A401	G158010	T02	B589	110478		BK1202	113633	C03,C28	C327	110411		CP1502M	111275	
4-308681-18	175048		A410	G158000	C26,T02	B592	113939	H01	BK1204	113608	C03,C28	C335	101651		CP1502MV1	116523	
4-308681-19	175049		A412	G825039	T02,C26	B604	100205		BK13	175675		C336	110734		D027	098002	E02
4-308681-2	175042		A500	G825047	T02,C26	B606	113637	E02	BK14	175676		C337	114932	H07	D029	098002	
4-308681-20	175088		A501	G825041	T02,C26	B614	100207		BK15	175677		C338	114932		D030	098002	E02
4-308681-21	175089		A510	G825046	T02,C26	B615	113956		BK16	175678		C339	114933		D031	098004	E02
4-308681-29	175090		A512	G825040	T02,C26	B618	112135		BK3052	101640		C340	113280		D032	098000	
4-316239-01	175092		A600	G825043	T02,C26	B619	110413		BK3054	100796		C340	113301		D033	098000	E02
4-316239-02	175093		A601	G825045	T02,C26	B620	113638	E02	BK3072	101641		C403	100010		D034	098032	
4-316239-06	175094		A612	G825042	T02,C26	B621	110399		BK3074	100908	B30	C412	100011		D035	108022	
4-316239-06	175095		A613	G825044	T02,C26	B622	113957	E02	BK3102	113895	B30	C420	110002		D038	098002	
4-316239-09	175097		A676	G825002	C26,T02	B628	100204		BK3104	111311		C426	100012		D039	098002	E02
4-316239-10	175098		A677	G825005	T02,C26	B633	100208		BK3152	113896		C435	111954	F05	D040	098004	E02
4-316239-12	175127		A682	G825001	C26,T02	B643	100053		BK3154	113846	S07	C445	110220		D041	098000	
486	191873	C20,C21	A683	G825004	T02,C26	B647	10241		BK3202	113897		C446	101650		D041	108014	
5EB3104V1	120122		A751	G825008	T02,C26	B664	110276		BK3302	113926		C447	110057		D042	098000	E02
5EB3104V1	110206	B30	A754	G825007	T02,C26	B665	100340		BK3304	116593		C448	113672	F05	D043	098032	
5EB3154V1	120021		A826	G825011	T02,C26	B671	110360		BR3104	110029	P03	C457	100006		D043	108018	
5EB3154V1	110893	B30	A827	G825014	T02,C26	B674	110059		BR3152	110429	B30,P03	C461	100011	C46	D044	108022	
5EB3204V1	120019		A828	G825017	T02,C26	B695	101142		BR3154	115825	B30,P03	C471	111955	F05,C07	D052	098008	
801	100109	C10,C12,H04	A831	G825010	T02,C26	B696	110109		BR3155	111309	B30	C472	113373	F05,C07	D053	098007	E02
808	191868		A833	G825013	T02,C26	B697	110402		BR3202	111310		C506	110388		D054	098069	
809	191869		A835	G825016	T02,C26	B702	110097		BR3204V1	115826	P03	C507	110420		D055	108023	
812	191870	F01	A877	G825019	T02	B703	110478	P01	BR3302	113923	P03	C508	113932	F05	D059	098009	
838	100109	C10,C12	A878	G825020	T02	B714	113639		BR3304V1	116595	P03	C509	110910	F05	D059	108016	
839	100110	C12,C10	B108	110279	C10	B715	113640		C026	114617		C520	110022		D060	098008	
875	100109	C10,C12,P01	B109	110285	C10	B716	113641		C027	110009	E02	C521	110021		D060	108015	
878	100115	P01,C10	B110	110280	C10	B718	100722		C042	100803	C23	C523	110007		D061	098069	
883	100110	C12,P01,C10	B111	110286	C10	B719	100723		C043	100804	C23	C524	113027		D061	108019	
885	100110	C12,C10	B120	101524	C10	B721	110110		C044	111323	F05,C23	C526	100003		D062	108023	
889	100116	C10	B121	101525	C10	B722	110479		C045	100824	C24	C527	100012		D066	098006	
902	102014	C10	B122	101526	C10	B733	113633	C10	C046	100825	C24	C530	113930		D068	098008	E02
914	191872	C29,C12	B123	113686	C10	B734	110363	C10	C047	111321	F05,C24	C531	110058		D070	128000	
915	191875	C29,C12	B124	110279	C10,C45	B736	110288		C048	111919	F05	C540	114165	H03	D071	128010	
921	100804	C29,C11,P01	B125	110280	C10,C45	B737	110292		C102	100116		C541	114165		D072	108502	
922	100804	C29,C11	B126	101527	C10	B744	110289	C39	C105	100110	P01	C608	100007		D073	108021	
924	101020		B127	101528	C10	B753	114214	P02	C109	100006	F02	C612	110012		D074	108265	
925	101021	F05	B128	101529	C10	B754	113958	E02	C138	101423	P02	C613	110016		D075	108266	
9451	191872		B129	113687	C10	B759	110361		C138	100115	P01	C620	110023		D076	108020	
9452	191875	C20,C21	B130	110285	C10,C45	B762	110094		C149	100109		C621	110579		D080	128000	
970	191871	C20	B131	110286	C10,C45	B764	114215		C150	100955		C630	100002		D081	128000	
A010	111095	E01	B132	110278	C10	B765	113959	E02	C151	100955	P03	C634	100015		D082	108502	C18
A011	111097	B33	B133	110241	C10	B765	110285		C152	100023		C635	100020		D092	098005	E02
A012	111096	B33	B134	110242	C10	B767	110289		C153	102868		C639	100008		D203	108423	E01
A013	111075	B31	B135	110243	C10	B770	110279	C10,P01	C154	100024		C655	100008		D204	108424	E01
A014	111084	B33	B136	110281	C10	B777	110180		C155	102867		C658	100003		D205	108226	
A014	111085	B31	B137	110282	C10	B778	110909		C157	100115		C664	110014		D206	108227	E01
A015	110918		B138	110283	C10	B780	110280	C07	C187	100003		C665	101523		D207	108228	E01
A015	110934	B33	B139	110284	C10	B781	110286		C196	100109		C666	100016		D208	108229	E01
A015	111086	B31	B171	101431		B784	110242		C198	102014		C669	110013		D209	108230	
A016	110852		B172	100184		B785	110243		C199	100000		C671	110016		D210	108231	
A016	110961	B33	B176	113631		B786	110279	C10	C202	114617	P03,E02	C682	110000		E100	G120010	
A017	111932		B177	110362		B787	110160		C204	131986		C683	110209		E1006	120122	E02
A018	111929		B177	113632		B788	110161		C210	120879	C07,F0						

MAGNETEK/A.O. SMITH TO-LEESON CROSS REFERENCE

Magnetek/ A.O. Smith Cat. No.	LEESON Equivalent Cat. No.	Exception Code	Magnetek/ A.O. Smith Cat. No.	LEESON Equivalent Cat. No.	Exception Code	Magnetek/ A.O. Smith Cat. No.	LEESON Equivalent Cat. No.	Exception Code	Magnetek/ A.O. Smith Cat. No.	LEESON Equivalent Cat. No.	Exception Code	Magnetek/ A.O. Smith Cat. No.	LEESON Equivalent Cat. No.	Exception Code	Magnetek/ A.O. Smith Cat. No.	LEESON Equivalent Cat. No.	Exception Code
E1010	G120103		E205	131988		E322	G150157	C47	E491	151382	C02	E634	170040	C02,T02	EB1052	110399	
E1011	G120088	F06	E206	131971		E323	G150140	C47	E492	801057	C47	E635	170042	C02,T02	EB1054	110012	
E1012	G120076		E207	131972		E325	150212		E494	170032	C02,T02	E636	G150002		EB1054A	110016	
E1013	G120077		E208	G130282		E336	G130103		E495	170034	C02,T02	E637	G150004		EB1054M	110086	
E1015	121003	T02	E209	G130284		E336SD	170158	K58	E497	170146		E642	G150039		EB1072	110276	
E1016	121004	T02	E214	G130010		E337	G140686		E5001	G150036	C02	E642SD	G150039	K61	EB1074	110013	
E1017	121005	T02	E215	G130012		E337SD	G150159	K58	E5002	G150038	C02	E643	G150041		EB1074A	110017	
E1018	120034		E218	171322		E342	G140551	C01	E5002R	G150038		E643SD	G150041	K61	EB1074M	110087	
E1019	120923	T02	E219	171322	C02,T02	E343	G140126	C01	E5003	G150073		E646	150120		EB1102	110059	
E102	G120012		E219	131463	T02	E350	170157	C47	E5004	G151377	B31	E646R	150120		EB1102M	110142	
E1020	G120089	C47	E220	G130008		E351	170157	C02	E5005	G150073	B31	E647	150121	E02	EB1104	110209	B30
E1021	120921	T02	E221	G130027		E352	131546		E5006	G151377		E647R	150121	E02	EB1104A	110018	B30
E1023	G120276		E222	171320	C47	E353	170140		E5007	G150081		E648	G150040	C02	EB1104M	110088	B30
E1024	G120276	B34	E223	171322	C47	E354	170140	T02	E5008	G150082		E650	G150042	C02	EB1104T	120025	
E1025	G121287		E226	G130000		E355	150212		E5012	G150009	C47	E664	150232		EB1104tm	120008	C11
E1026	G121286	B34,F07	E227	G130004		E356	G150157		E5016	G150013	C47	E665	150120		EB1152	110094	B30
E1027	G120428		E236	131504		E356	G140578	C01	E511	G150067	C02	E667	150121		EB1152T	120130	
E103	120047	E02	E237	131502		E356SD	G150157	K58	E512	G150000	C02	E668	G150083		EB1154	110253	
E104	120032	E02	E240	G130099		E357	G150140	C25	E514	170009	C02,T02	E669	G150084		EB1154A	110019	
E105	120034	E02	E241	G150299		E357SD	G150140	K58	E516	170013	C02,T02	E671	G150004		EB1154M	110089	
E113	121181	T02	E241	G130101		E364	131546		E535	G150068		E700	G150025	C02	EB1154T	120026	
E116	120923	T02	E241SD	G150299	K57	E366	150196		E535SD	G150068	K60	E700R	G150025		EB1154TM	113938	
E117	121850		E244	G130015		E367	150197		E536	G150001		E701	G150029	C02	EB1202	110352	
E120	G120014	C01,C25	E245	G130016		E368	140618		E536SD	G150001	K60	E701R	G150029		EB1202M	110402	
E121	G120015		E252	171320	C47	E369	140653	C47	E546	G150009	C02	E708	G150147	C02	EB1202T	120036	
E122	G120016		E253	171320	T02	E371	131577	C47	E548	G150013	C02	E709	G150148	C02	EB3034	110179	
E123	120047		E255	171322		E372	140655	C47	E549	170011	C47	E712	G150027		EB3054	100913	
E124	120032		E256	171322	T02	E374	140619		E550	170011	T02	E712SD	G150027	K62	EB3072	110313	
E125	120034		E260	G130008	C01	E375	140654	C47	E551	150118		E714	G150031		EB3074	110034	
E126	120122		E260SD	171320	K57	E377	151380	C02	E552	170015	T02	E714SD	G150031	K62	EB3102	110145	
E127	120021		E261	G130027		E378	140656	C47	E554	G150011		E716	170025		EB3104	110035	
E128	120019		E261SD	171322	K57	E392	170143	C02,T02	E554SD	G150011	K60	E721	150239		EB3104VI	115830	
E136	120921	C19	E282	131563	C47	E393	170064	C02,T02	E555	G150015		E722	G150031		EB3152	110745	C11
E136	120922	C19	E283	131861	C47	E397	170144		E555SD	G150015	K60	E728	170044	C02,T02	EB3154	110444	B30
E140	121179	T02	E285	131576	C47	E394	171574	C02	E557	G150035		E729	170151	C02,T02	EB3154VI	115829	
E153	120923	C01,C19,T02	E286	131863	C47	E4001	G140693		E557SD	G150035	K60	E730	170096	E02,C47	EB3202	111916	
E154	120019	C01,C19	E292	171320	C02	E4002	G150175		E558	G150037		E731	170097	E02	EB3202VI	111916	B30
E156	121851		E292	131463		E4003	G150071		E558SD	G150037	K60	E745	G150149	C02	EB3204	113026	
E156RF	121851	C47	E293	131464		E4004	G150071	B31	E560	150224		E746	G150150	C02	EB3204VI	115828	
E157	121846	C47	E293	171322	C02	E4005	G150102		E561	150228		E749	G150087		EC1034	101766	
E159	121853		E294	131562	C47	E4006	G150080		E564	150118		E760	G150096		EC1054	102862	
E159RF	121853	C47	E294RF	131562	C47	E4010	G150065	C47	E565	150119		E760SD	G150096	K62	EC1054A	102871	
E161	G120086	C25	E295	131860	C47	E4014	G150006	C47	E566	801028	C47	E763	150239		EC1074	110057	
E162	G120088	C25	E296	131574		E407	170006	C02,T02	E567	801053	C47	E763R	150239	C01	EC1074A	110308	
E164	G120014	C25	E296RF	131574	C47	E407	170006	C02	E569	801040	C47	E764	G150044	C02	EC1104	110058	
E165	G120015	C01,C25	E297	131862		E408	G150032	C02	E570	801058	C47	E767	150244	E02	EC1104M	110041	
E166	G120016	C25	E300	G150142	C02	E409	G150034	C02	E572	801029	C47	E767R	150244	C01	EC1154	110420	
E174	121852		E300	G140471		E414	G150145		E573	801054	C47	E768	G150151	C02	EC1154M	110042	
E174RF	121852	C47	E3002	131527		E415	G150146		E575	801041	C47	E771	150253		EC1154T	120017	
E175	121847	C47	E3002	140580		E422	G150066	C47	E576	801059	C47	E771R	150253	C01	EC3034	101769	
E177	121854		E3003	G150170	C02	E430	150198		E584	170036	C02,T02	E772	G150154	C02	EC3054	102860	
E177RF	121854	C47	E3004	G140692		E431	150116		E585	170038	C02,T02	E774	G151449		EC3074	112378	
E178	121849		E3006	G150172	C02	E432	150199		E586	G150087	C47	E775	G150152		EC3074	110047	
E180	114624	T02	E3006	G140146		E433	150117		E586	170067		E775R	G150152		EC3104	110048	
E181	102024	T02	E3008	131528	C01	E436	G150062		E587	170000		E776	G150152	F23	EC3104T	120024	
E188	114638		E3009	G150165		E436	G140687		E587	G150000	C47	E782	G150043		EC3154	110125	
E2002	G150142	P03	E3009	G140183		E436SD	G150062	K59	E594	150118	E02	E782SD	G150043	K62	EC3154T	120037	
E2003	G130325		E301	G150144		E437	G150033		E595	150119	E02	E783SD	G150045	K62	EC3204	110451	
E2004	131489	B33	E3010	140109	C01	E437SD	G150033	K59	E600	G150017	C02	E784	G150160		EC3204T	120038	
E2005	G131249		E3010	151348		E442	G150122		E600R	G150017		E785	G150097		ECB1054	110734	
E2006	131490		E3011	G150167		E442SD	G150122	K59	E601	G150021		E785SD	G150097	K62	ECB1054	110310	
E2007	G130327		E3011	G140147		E442SD	G150123	K59	E601R	G150021		E786	G150098		ECB1074	110905	
E2008	G131250		E3012	G140280		E443	G150123		E607	G150021	C44	E786SD	G150098	K62	ECB1074	112135	
E2009	131491	C01	E3013	G140281		E449	G150065	C02	E608	G150017	C44	E787	G150099		ECB1104	110908	
E2010	G130326	C01	E3014	G140466		E451	170065	C02,T02	E612	G150002	C02	E787SD	G150099	K63	ECB1104	110180	
E2011	131492	C01	E3015	G140464		E457	G150006	C02	E613	G150004	C02	E826	G151367	E02	ECB1104M	115879	B30
E2012	G130328	C01	E3016	140467		E460	170066	C47	E614	G150003		E831	G151369		ECB3054	114140	
E2013	G130662		E3016	G140466		E461	170066		E614SD	G150003	K61	E843	170371		ECB3074	110916	
E2014	G130663		E3017	140465		E462	150116		E615	G150005		E845	170352		ECB3104	110912	
E2016	G130664		E3017	G140464		E464	170007		E620	G150019		E847	171523		ECB3154	110918	B30
E2017	G131171		E3021	G150142	C47	E465	150117		E620SD	G150019	K61	E855	G151371		ECB3204	116106	
E2018	131596		E3025	G150144	C47	E466	G150066		E622	G150023		E869	G151368		ECT1052A	113955	E03
E2018	G130664		E308	G140682		E466SD	G150066	K59	E622SD	G150023	K61	E872	G151367		ECT1072A	113956	E03
E2019	131597		E309	G140683		E467	G150007		E625	170017	C02,T02	E873	G151370		ECT1102A	113639	E03
E2019	G131171	B31	E314	G140550		E482	151361		E627	170021		E877	151529		ECT1152A	113640	E03
E202	131465	E02	E315	G140122	C25	E483	801051	C47	E628	170019	T02	E881	151530		ECT3052	114931	
E2023	171320	E02	E317	170142	C02,T02	E485	151381	C02	E629	150120		EB103					

MAGNETEK/A.O. SMITH TO-LEESON CROSS REFERENCE

Magnetek/ LEESON			Magnetek/ LEESON			Magnetek/ LEESON			Magnetek/ LEESON			Magnetek/ LEESON		
A.O. Smith	Equivalent	Exception	A.O. Smith	Equivalent	Exception	A.O. Smith	Equivalent	Exception	A.O. Smith	Equivalent	Exception	A.O. Smith	Equivalent	Exception
Cat. No.	Cat. No.	Code	Cat. No.	Cat. No.	Code	Cat. No.	Cat. No.	Code	Cat. No.	Cat. No.	Code	Cat. No.	Cat. No.	Code
F387	111953	F05	H260	100446		H648	112430		H976	112024		MF409	175883	C02
F683	100825		H261	101647	E02	H648	113587		H979	G130565	F09	MF501	175852	
FY3106	111147	C37	H262	100028		H655	111956		H980	G131338	F08	MF502	175854	
FY3156	111148	C37	H264	100210	F02	H656	111957	F05	H991	101051	C39,E02	MF503	175856	
GPD333-A005N4	174730		H267	110425		H657	111958		H992	110178	C39,E02	MF504	175884	C02
GPD505V-A027	174545		H268	110441	E02	H658	111959	F05	H993	112026	C39,E02	N025	120061	
GPD505V-A027	174551		H271	100905	E02,F01	H661	114206		K100	120025		N103	120037	
GPD505V-A036	174557		H273	100029		H667	111147		K101	120026		N104	120038	
GPD505V-A054	174560		H274	100913	E02	H683	110901	C39,C47	K102	121569		N142	121199	F06
GPD505V-B011	174924		H275	100145		H683	116784		K1024L	100023		N147	121858	C13
GPD505V-B014	174552		H276	110199		H684	110912		K103	113938		N148	121858	C47
GPD505V-B021	174558		H279	110027		H687	111328		K1034L	100024		N149	121855	C47
GPD505V-B027	174561		H280	110353	E02	H688	101079		K104	113938		N153	121859	C47
GPD505V-B034	174563		H282	102198	C40	H693	110902	C39,C47	K1050	100204		N154	120098	
GPD505V-B041	174565		H283	114931	E02	H693	116785		K1052	100204		N157	121860	
GPD505V-B052	174567		H286	100600	C40	H694	G121287		K1054L	100025		N161	121856	
H025	110434		H288	110446		H703	110451		K107	112136		N163	121857	C47
H026	110914	E02	H290	100601		H704	113894	C39	K1070	100205		N214	G130008	C47
H027	120063	F06	H291	114140	E02	H705	113892	C39	K1074L	100026		N215	G130027	
H031	101291		H358	100049		H706	114205		K1100	100722		N219	131861	E03
H031	113311	E02	H377	101449		H707	114204		K1104L	110220		N232	131579	
H033	110163	E02	H379	100050		H708	116630		K115	120017		N245	131580	E03
H034	110914	E02	H413	110182		H709	116106		K1150	110288		N246	131581	
H035	112378		H413	114142	E02	H710	115553	C39,C47	K1152	110288		N252	131860	
H036	116340		H437	101448		H711	114218	C39,C47	K1154L	110388		N268	G131613	C01
H037	113020		H446	101637		H715	110917		K1200	110289	C10	N269	G131614	C01
H038	113021		H448	110313	E02	H716	113927		K1202	110289	C10	N316	G140578	C47
H049	114394		H449	101773		H717	111960	F05	K200	131509		N317	G140489	C47
H050	114395		H451	101637	C39	H718	111961	F05	K203	131533		N324	140109	
H051	115635	B31	H461	110178	E02	H733	113892		K205	131542		N324	151348	C01
H052	114581		H464	114192		H734	113893		K208	131543		N329	140653	E03
H060	101767		H467	110028		H736	114420		K209	131631	P02	N344	140622	
H061	101769		H468	121199	F06	H738	114614	C11	K213	131541		N345	140623	
H062	102860		H473	110144		H740	113334		K214	131542		N347	140654	
H063	110047		H473	114176	E02	H741	113893		K215	131543		N376	G140603	
H064	120024		H505	110145		H743	113893	C47	K223	131549		N377	G140636	
H1001	110446	B33	H506	101638		H750	110437	C47	K300	140223	C07	N417	801070	
H1002	110911	B34	H508	100378		H751	110192		K301	140209		N419	801051	E03
H1003	101291	B33	H511	110111		H753	111273		K302	140414		N424	801075	
H1004	114142	B34	H514	101638	C39	H756	110429	F04	K3054L	100049		N435	801052	E03
H1005	114140	B34	H515	114208		H767	111148		K3074A	100050		N525	801053	E03
H1006	110914	B34	H516	114207		H770	113588		K3074L	100050		OB1024	100115	P01
H1007	110915	B34	H517	110715		H771	113473		K3104L	110043	C39	OB1034	100006	
H1008	110916	B34	H522	111326		H772	113589		K311	140130		OB1034A	100001	
H1009	116340	B34	H524	110035		H773	113019		K312	140414		OB1054	100007	
H1010	110181	B34	H525	112026		H774	113590	E01	K314	140684		OB1054A	100002	
H1011	110912	F04,B34	H528	113933		H775	G120585	E02,F22	K315	140685		OB1074	100008	
H1011	G121286	F07,B34	H530	110745	C47	H776	113020		K3154L	110044	C39	OB1074A	100003	
H1013	110917	B34	H531	114194		H776	G120587	F22	K3202	113894	C39	OB1074M	100005	
H1014	110918	F04,B34	H534	110430		H777	120760		K3302	114420		OB1104	110004	
H1014	G121287	F07,B34	H535	110444		H803	111630		M116	120945	C37	OB1104A	110000	
H1015	113927	F04,B34	H536	110433		H840	101640		M120	120941	C37	OB1104T	120044	
H1016	G120276	F07,B34	H537	111916		H841	101641		M121	120940	C37	OB1154	110005	
H1017	114615	C11,B34	H538	114196		H842	113895	F04	M126	120944	C13,C37	OB1154T	120042	
H1017	G120991	F07,B34	H551	110915	E02	H843	113896		M127	120947	C13,C37	OB1204T	120067	
H137	102197		H563	110448	E02	H844	113897		M128	120946	C13,C37	OB3035	100028	C47
H155	102198		H575	110893		H845	113926		M129	120944	C13	OB3055	100029	C47
H156	101767	E02,C47	H580	110034	E02	H850	100796		M130	120945		OB3075	100030	C47
H157	101648		H581	100030		H851	100908	F05	M131	120947	C13	OB3104	110029	C47
H157	101767		H582	100146	F05	H852	111311		M132	120941		OB3104V1	115827	C47
H158	100048		H583	110181	C47,E02	H853	113846		M133	120946	C13	OB3154	110430	C47
H159	102863		H585	100602	C47	H854	113847		M134	120940		OB3154V1	115825	B30,C47
H181	113025		H585	102971		H860	114158	H03	M206	131474	C37,F09	OB3202	113292	C47
H191	110446	C47	H586	110916	E02	H861	110669		M222	G131468	C13,C37,F09	OB3204	113025	C47
H192	110144	C47	H594	111327		H862	110670		M223	131469	C13,C37	OB3204V1	115826	C47
H193	110448	C47	H602	110426		H862	114154	E02	M240	131468	C13,F09	OB3304V1	116595	C47
H194	110112	C47	H607	113891		H864	114152	F04	M241	131474	F09	OS1034	100006	C12
H195	110192	C47	H609	110437		H865	110671		M242	131469	C13	OS1034A	100001	C12
H196	111273	C47	H612	113894		H865	114155	E02	M243	131475		OS1054	100007	C12
H197	111630	C47	H614	110029		H868	100913		M302	131475	C37	OS1054A	100002	C12
H200	100027	F02	H615	110052		H869	110034		M312	140447	C37,F12	OS1074	100008	C12
H201	101646	E02	H616	110437	C39	H884	111309		M321	140443	C13,C37,F12	OS1074A	100003	C12
H234	101447	F01	H617	113891	C39	H921	110048		M322	140444	C13,C37	P121	120996	
H241	110911		H628	111611	C39,E02	H930	110044		M340	140443	C13	P123	120994	
H241	114141	E02	H630	110181		H931	110125		M341	140447		P124	121190	
H251	100375		H633	110112		H932	111444		M342	140444	C13	P130	131640	
H254	100056		H645	112427	E02	H948	111611	B34	M343	140448	C39	P132	131640	C13
H256	102861		H646	112429		H971	111444	C39,E02	MF402	175853		P133	131641	C13
H257	110047	E02	H646	113586		H973	110176		MF404	175855		P135	131859	
H258	110043		H647	112428	E02	H975	110177	E02	MF407	175857		P137	131604	

MAGNETEK/A.O. SMITH TO-LEESON CROSS REFERENCE

Magnetek/ A.O. Smith Cat. No.	LEESON Equivalent Cat. No.	Exception Code	Magnetek/ A.O. Smith Cat. No.	LEESON Equivalent Cat. No.	Exception Code	Magnetek/ A.O. Smith Cat. No.	LEESON Equivalent Cat. No.	Exception Code	Magnetek/ A.O. Smith Cat. No.	LEESON Equivalent Cat. No.	Exception Code	Magnetek/ A.O. Smith Cat. No.	LEESON Equivalent Cat. No.	Exception Code	Magnetek/ A.O. Smith Cat. No.	LEESON Equivalent Cat. No.	Exception Code
RBF1034A	100109	C12	T108	192011	H04												
RBF1052A	101432	C12,C11	T109	192011													
RBF1072A	101433	C11	T110	192022													
RS1030A	100115	C12	T1102	100723	C35												
RS1035A	100109	C12	T111	192031													
RS1051A	100064	C12	T112	192041													
RS1054	100015	C12	T113	192051													
RS1054A	100011	C12	T114	192061													
RS1055	114225	C12	T115	192071													
RS1070A	100065	C12	T1152	110292	C35												
RS1074	100016	C12	T117	192025													
RS1074A	100012	C12	T118	192034													
RS1102A	110478	C12	T119	192035													
RS1104A	110007	C12,C39	T120	192044													
RT1302	110286	C35	T1202	110293	C35,C40												
S226	171320	K57	T121	192045													
S227	G150299	K57	T122	192054													
S228	171322	K57	T123	192055													
S303	170157	K58	T124	192064													
S304	170140	K58	T125	192065													
S307	170158	K58	T126	192074													
S308	170159	K58	T127	192075													
S440	170066	K59	T128	192084													
S441	170007	K59	T242	193085													
S442	170122	K59	V100	120044													
S443	170123	K59	V101	120042													
S444	170062	K59	V102	120067													
S445	170033	K59	V106	120992													
S500	170011	K60	V108	120073													
S501	170015	K60	V110	120106													
S502	170068	K60	V200	131515													
S503	170001	T02	V201	131534													
S504	170035		V203	131781	C07												
S505	170037	K60	V205	131537													
S600	G150019	K61	V208	131537													
S601	170023	K61	V209	131537													
S602	G150003	K61	V210	131636													
S604	170039		V211	131616	C07												
S605	170041		V212	131629	P02												
S676	170027	K62	V305	140155													
S677	170031	K62	V310	140680													
S678	170096	K62	V311	140681													
S679	170097	K62	W200	128001	C18												
S680	170043		W201	108502	C18												
S681	170045		XP1030	111074													
S751	170087	K63	XP1050	111084													
S752	170098	K63	XP1070	110934													
S753	170099	K63	XPC1030	111075													
S754	170160		XPC1050	111085													
SK1302	110280	C36	XPC1070	111086													
SP001	810548		XPCB1030	111075													
SP002	810546		XPCB1050	111085													
SP003	811320																
SP005	811322	C50															
SP010	810140																
SP015	810066																
SP020	810007																
SP025	810011																
SP030	810015																
SP040	810019																
SP050	810023																
SP060	810027																
SP075	810031																
SP1P5	810547																
SP7P5	810157	C50															
ST1052	100207	S13															
ST1072	100208	S13															
ST1102	100723	C41,S13															
ST1152	110292	S13															
ST1202	110293	S13,C40															
ST1302	110286	C35,S13															
T100	192010																
T101	192020																
T102	192030																
T103	192040																
T104	192050																
T1052	100207	C35															
T106	192070																
T107	192080																
T1072	100208	C35															

This information is furnished as a guide only. Always check specific motor to determine suitability for direct replacement.

W.W. GRAINGER/DAYTON-TO-LEESON CROSS REFERENCE

LEESON			LEESON			LEESON			LEESON			LEESON			LEESON		
Grainger Cat. No.	Equivalent Cat. No.	Exception Code	Grainger Cat. No.	Equivalent Cat. No.	Exception Code	Grainger Cat. No.	Equivalent Cat. No.	Exception Code	Grainger Cat. No.	Equivalent Cat. No.	Exception Code	Grainger Cat. No.	Equivalent Cat. No.	Exception Code	Grainger Cat. No.	Equivalent Cat. No.	Exception Code
1A767	175077		1Z911	110902		2K501	140155		2K654	101523		2N943	G130016	B23	3GC75	111942	
1A770	175004		1Z914	114218		2K502	113027		2K655	110036	P02	2N945	G140126	B24	3GC78	G120387	
1A771	175030		1Z916	116630		2K504	100109	C12	2K661	110422		2N946	G120086	B22	3GC81	114930	
1A772	175031		1Z918	G120275		2K505	100109	P01	2K663	102870		2N947	G120088	B22	3GC84	G120088	
1D056	100340		1Z920	G121072		2K510	100767	C29,P01	2K664	110310		2N948	G120185	B22	3GC85	114141	
1D060	100116		1Z924	116631		2K511	100767	C29	2K665	110419		2N949	G150299	B23,C02	3GC86	101052	
1D061	100184		1Z946	100375		2K519	100012	P01	2K666	110411		2N980	G120010	B22	3GC87	114140	
1D062	100340		1Z948	113311	E02	2K524	110363		2K670	102866		2N981	G120011	B22	3GC88	101051	
1D063	110360		1Z955	100056		2K525	120341	E02	2K671	112135		2N982	G120012	B22	3GC89	100601	
1D065	101431		1Z958	100378		2K526	110004		2K673	110180		2N983	G130000	B23	3GC91	110178	
1D066	100804	C29,P01	1Z972	112378		2K529	110004		2K674	114144		2N984	G130004	B23	3HX70	174914	
1D067	100804	C29	1Z976	120063	E02	2K530	100115		2K676	110905		2N985	G150142	B24	3HX71	174914	
1D068	101432	P01	1Z983	110111		2K532	101423	P02	2K677	110734		2N986	G150144	B24	3HX72	174915	
1D070	101781		1Z995	120105	E02	2K533	100115		2K678	110910		2N988	G120089	B22	3HX73	174917	
1F640	108231		1Z997	110437		2K539	100006		2K773	100015	P01	2N989	120856	B22	3HX74	174918	
1F642	108230		2A754	M1760003		2K542	110001		2K774	100012	P01	2N990	G130012	B23	3HX75	174919	
1F644	108229		2K253	101433		2K546	100338		2K776	111954	C10	2N992	G140122	B24	3HX76	174920	
1F646	108228		2K258	110579		2K548	100007		2K778	111955		2N995	G120103	B22	3HX77	174921	
1F648	108227		2K259	113608		2K549	100004		2K779	113373		2N996	G120076	B22	3HX78	174922	
1F650	108226		2K261	111953		2K551	110002		2M167	108010		2N997	G120077	B22	3HX79	174923	
1F652	108424		2K264	111954	C10	2K554	100008		2M167	098002		2R918	120061	E02	3K015	101766	
1F654	108423		2K267	113672	C10	2K555	100005		2M168	108014		2R920	113894		3K015	102867	E01
1K060	092114		2K343	131541	S07	2K558	110003		2M168	098000		2R922	114420		3K016	102862	
1K061	092116		2K344	131542		2K559	110361		2M169	108018		2R924	121187		3K017	110057	
1K064	120067		2K345	131543		2K560	110005		2M169	098032		2R926	114142		3K018	110058	
1K065	110209		2K347	140130		2K566	140414	P02,S04	2M170	108022		2R928	110914		3K020	110420	
1K066	110253		2K348	100804		2K567	131637		2M501	108010		2R930	110915		3K054	101015	C12
1K068	111095	E01	2K349	100803		2K568	131549		2M501	098002		2R932	116340	B34,E02	3K060	100064	
1K069	111098		2K350	101159		2K570	140120		2M502	108011		2R934	110181		3K064	110007	
1K070	111097		2K351	113280		2K572	110025		2M502	098004		2R938	110917		3K070	100023	
1K071	111096		2K352	120374	P03	2K573	110026		2M503	108014		2R940	G121290		3K071	100024	
1K072	110852		2K353	120375	P03,C10	2K574	111915		2M503	098000		2R942	G121287		3K072	100025	
1K073	110388		2K354	120376	P03	2K577	102014		2M504	108018		2R946	G120276		3K073	100026	
1K074	112136	E02	2K366	100207	H01	2K579	101446	P02	2M504	098032		2R948	G120991		3K074	110220	
1K075	112136		2K367	100207		2K581	114617		2M505	108022		2R950	110434		3K080	111953	
1K076	114145	P03	2K368	100208		2K584	113635		2M506	108023		2Z267	G120077		3K081	111954	
1K077	114144		2K369	100723		2K587	110009		2M507	108015		2Z276	116595		3K083	111955	
1K078	110310	P03	2K370	110292		2K588	102020	P03	2M507	098008		2Z347	110714	E01	3K084	113373	C11
1K079	110734		2K371	110293		2K589	110399		2M508	108019		2Z380	110214		3K091	191868	C12
1K080	112135	P03	2K372	110286		2K590	100956		2M508	098069		2Z500	110354		3K092	101432	
1K081	110905		2K376	102864	P03	2K591	110012		2M509	098004		2Z657	121009		3K093	100064	
1K082	110910		2K377	110416	P03	2K593	110011		2M530	174924		2Z817	M1145023	C29,E01	3K093	100011	
1K082	121681		2K378	113956		2K595	110276		2M531	174552		2Z818	M1145026	C29,E01	3K094	100603	
1K084	101650		2K379	110310	P03	2K596	110108		2M532	174558		2Z828	111394		3K095	111266	
1L498	M1135042	S07,S08	2K380	110180	P03	2K597	110013		2M533	174561		2Z841	M1145027	C29,E01	3K095	100012	
1L499	M1135043	S07,S08	2K381	102871		2K599	110400		2M534	174563		2Z842	107011	C10,C32	3K096	110478	
1L502	M1145038	S07,S08,C29	2K382	113955		2K600	110059		2M535	174565		2Z843	107009	C10,C32	3K097	110007	
1L533	M112508	S08,S09,B36	2K383	110422	P03	2K601	110142		2N863	110030	E01	2Z844	107008	C10,C32	3K098	110479	
1L534	M1125083	S08,S09,B36	2K386	113913	E02	2K602	110209		2N864	110031	E01	2Z845	107007	C10,C32	3K099	113633	
1L535	M1125082	S08,S09,B36	2K388	110413	P03	2K604	120025		2N864	101079		2Z937	110715		3K142	100011	
1L536	M1125080	S08,S09,B36	2K389	110419	P03	2K606	110109		2N865	110032	E01	2Z981	110206		3K143	100012	
1L538	M1125081	S08,S09,B36	2K390	113641		2K607	110253		2N865	100913		3GC39	113933		3K144	110007	
1Z840	M1120039		2K391	100204	H01	2K609	110402		2N866	110034		3GC47	G120185		3K147	110579	
1Z842	M1120045		2K392	100204		2K620	111075	H03	2N913	100048		3GC49	111933		3K148	100109	
1Z851	M1120043		2K393	100205		2K621	111075		2N914	100049		3GC51	111936		3K152	110019	
1Z854	M1130053		2K394	100722		2K622	111098		2N915	102863	E01	3GC53	111943		3K152	120009	
1Z874	100599		2K395	110288		2K624	111085		2N916	102860		3GC57	113971		3K155	131509	
1Z876	100600		2K396	110289		2K625	111086		2N923	100050		3GC58	121178		3K156	131533	
1Z881	100602		2K397	100207	H01	2K631	113921	P02	2N924	110047		3GC59	114419		3K159	131538	
1Z881	102971		2K398	100207		2K633	111098		2N925	110441		3GC60	114627		3K160	110014	E01
1Z881	G121650		2K399	100208		2K634	113922	P02	2N926	110353		3GC61	114629		3K170	100001	
1Z883	G121286	E02	2K400	100723		2K636	110852		2N933	G120014	B22	3GC63	114631		3K171	100052	
1Z897	110901		2K401	110292		2K645	110382		2N934	G120015	B22	3GC64	114633		3K172	100002	
1Z897	116784		2K402	110293		2K646	110361		2N935	G120016	B22	3GC66	114635		3K173	100053	
1Z899	110917	E02	2K409	100204	H01	2K648	101521		2N936	G130008	B23	3GC67	G121182		3K174	100003	
1Z899	116785		2K410	100207	H01	2K649	101522		2N937	G130027	B23	3GC69	111940		3K175	110097	
1Z901	G121290	E02	2K484	100588		2K650	101522		2N938	G150157	B24,C02	3GC70	111934		3K176	110000	
1Z905	G121287	E02	2K496	131636		2K651	100020		2N941	G120087	B22	3GC71	111938		3K177	110110	
1Z905	G121651		2K497	131616		2K653	101523		2N942	116591	B22	3GC72	111937		3K199	100011	

Cross Reference

This information is furnished as a guide only. Always check specific motor to determine suitability for direct replacement.

W.W. GRAINGER/DAYTON TO LEESON CROSS REFERENCE

LEESON			LEESON			LEESON			LEESON			LEESON			LEESON		
Grainger Cat. No.	Equivalent Cat. No.	Exception Code	Grainger Cat. No.	Equivalent Cat. No.	Exception Code	Grainger Cat. No.	Equivalent Cat. No.	Exception Code	Grainger Cat. No.	Equivalent Cat. No.	Exception Code	Grainger Cat. No.	Equivalent Cat. No.	Exception Code	Grainger Cat. No.	Equivalent Cat. No.	Exception Code
3K201	100000	C12	3KW34	131519		3N351	100961		3N521	G150157	C02	3N617	G150031		3N741	G150023	
3K211	100002	C12	3KW37	131520		3N352	110034		3N522	G150140	C02	3N618	G150087		3N742	G150027	
3K213	100011	C12	3KW40	170142		3N367	111932	E01	3N524	G140126		3N629	111329		3N743	G150031	
3K218	100003	C12	3KW42	G140682		3N368	111929	E01	3N526	G150159	C02	3N634	101640		3N744	G150087	
3K224	100012	C12	3KW43	170144		3N369	111923		3N527	100028		3N634	101641	H07	3N752	G150159	
3K225	110015	E01	3KW45	G140683		3N370	111922		3N528	100029		3N635	101641		3N753	G150062	
3K225	114613		3KW46	170065		3N390	G120010		3N529	100030		3N636	113895		3N755	G150035	
3K227	110016		3KW48	170032		3N391	G120011		3N530	101449		3N637	113896		3N761	G120185	
3K228	110141	P02	3KW49	170006		3N392	G120012		3N531	110029		3N638	113897		3N773	112524	E01
3K228	110399	P03	3KW51	170034		3N393	G130000		3N532	110426		3N639	100027		3N774	112643	E02
3K229	110017		3KW52	170009		3N394	G130004		3N533	110430		3N640	100028		3N775	112644	
3K230	110108	P02	3KW54	170036		3N395	G150142		3N534	110429		3N641	100029		3N779	G140464	
3K230	110276	P03	3KW55	170013		3N396	G150144		3N535	110031		3N642	100030		3N780	113473	
3K231	110018		3KW57	170038		3N397	G150065		3N536	100913		3N643	110029		3N780	112429	
3K234	110142	P02	3KW58	170017		3N398	G150006		3N536	101079		3N644	110430		3N781	113019	
3K234	110059	P03	3KX06	G130103		3N399	G150009		3N536	110032		3N647	111147		3N781	112430	
3K235	113333	P02	3KX08	G140686		3N403	G130008		3N537	110143		3N648	111148		3N782	113020	
3K235	110019		3M130	175091		3N404	G130027		3N538	110034		3N649	111630		3N782	112524	
3K239	110109	P02	3M131	175092		3N405	G150157	C02	3N539	110313		3N650	113890		3N783	113021	
3K239	110094	P03	3M132	175093		3N406	G150140	C02	3N540	110035		3N655	G120010		3N783	112643	
3K300	120130		3M276	175033		3N407	G150066	C02	3N541	110145		3N657	G120012		3N784	120762	
3K344	120036		3M277	175034		3N408	G150000	C02	3N542	110444		3N658	G130000		3N784	112644	
3K344	120395		3M278	175035		3N409	G150011	C02	3N544	G120076		3N659	G130004		3N785	G130664	
3K348	110180		3M279	175036		3N418	100028		3N544	G130282		3N660	G150142	C02	3N787	121850	
3K614	191868		3M280	175037		3N419	100029		3N546	G120088		3N661	G150144	C02	3N789	121851	
3K615	191869		3M281	175038		3N420	100030		3N548	G120014		3N662	G150065	C02	3N791	121852	
3K616	191870		3M282	175039		3N421	110029		3N549	G120087		3N663	G150006	C02	3N792	121854	
3K781	100052	C12	3M367	175094		3N422	110430		3N550	G120015		3N664	G150009	C02	3N793	130529	
3K782	100002		3M593	113292		3N427	110275		3N551	G120086		3N666	G120103		3N793	131562	
3K783	100053	C12	3N003	G150143	B24	3N428	G120323		3N552	G130015		3N667	G120076		3N794	131574	
3K784	100003	C12	3N013	121004		3N429	G120324		3N553	G120016		3N668	G120077		3N795	131563	
3K785	110160		3N017	110035		3N430	G120325		3N554	G120088		3N669	G130282		3N796	131576	
3K785	110097	C12	3N018	110444		3N442	110143	E01	3N555	G130016		3N671	G150143	C02	3N798	131577	
3K786	110161		3N026	100796	H01,P01	3N443	110313		3N556	G130008		3N672	G150064	C02	3N799	140619	
3K786	110110	C12	3N026	100210		3N444	110745		3N558	G130027		3N673	G150032	C02	3N817	100375	
3K787	113632	C12	3N027	100145		3N445	111916		3N560	110143		3N674	G150034	C02	3N818	100056	
3K788	110222	C12	3N028	110043		3N446	110912		3N561	110313		3N675	G120089		3N819	100378	
3K790	111275		3N044	121004		3N447	113927		3N562	110145		3N676	G130010		3N820	110111	
3K794	111074		3N073	G150066		3N450	G120010		3N567	G120489		3N677	G130012		3N821	110437	
3K795	111085		3N087	110048		3N451	G120011		3N570	G140126		3N679	G140122		3N822	113894	
3K795	111084		3N088	101776		3N452	G120012		3N572	G150157	C02	3N680	113028	H07	3N823	114420	
3K796	110934		3N090	114203		3N453	G130000		3N573	G150159	C02	3N681	113031		3N827	113473	E01
3K796	111086		3N234	113028		3N454	G130004		3N574	G150140	C02	3N682	113032		3N828	113019	E01
3K801	100204	H01	3N235	113029		3N455	G150142	C02	3N577	G150013	C02	3N683	100049		3N829	113020	E01
3K802	100207	H01	3N236	113030		3N456	G150144	C02	3N578	G150017	C02	3N684	100050		3N830	120760	E01
3K803	100204		3N237	110112		3N469	111147		3N579	G150021	C02	3N685	110043		3N831	113021	E01
3K804	100207		3N238	111273		3N470	111148		3N580	G150025	C02	3N686	102863		3N832	120761	E01
3K805	100205		3N254	G150007	C02	3N471	114176		3N581	G150029	C02	3N687	102860		3N833	113593	E01
3K806	100208		3N255	G150011	C02	3N471	110144		3N582	G150152	C02	3N688	110047		3N834	121040	
3K807	100722		3N265	110125		3N472	110448		3N583	G150015	C02	3N689	110048		3N835	113586	E01
3K808	100723		3N266	110451		3N473	110192		3N584	G150019	C02	3N690	110125		3N835	113588	E01
3K809	110288		3N285	110035		3N474	G150025	C02	3N585	G150023	C02	3N691	G150145		3N836	113589	E01
3K810	110292		3N291	G158362	C02	3N475	G150029	C02	3N586	G150027	C02	3N692	G150146		3N837	113590	E01
3K973	111074	H03	3N317	110145		3N476	G150152	C02	3N587	G150031	C02	3N693	113025		3N838	113592	
3K978	110288		3N329	G158366	C02	3N486	113026		3N588	G150087	C02	3N695	102024	F04	3N839	G120911	
3K985	100723		3N330	G158157	C02	3N487	100146		3N590	101448		3N696	114624	F04	3N849	101646	
3K986	110292		3N331	G158140	C02	3N488	110052		3N592	110429		3N723	114931		3N855	100905	
3K994	101435		3N333	G120490		3N489	110433		3N599	G150159		3N724	114208		3N856	100960	
3K995	101436		3N334	G120391		3N497	G150062	C02	3N600	G150062		3N725	114207		3N857	111931	
3K996	101437		3N341	G150140	C02	3N499	G150035	C02	3N602	G150035		3N726	114206		3N858	111930	
3KV62	174931		3N343	110918		3N509	G120014		3N608	G150157		3N727	114205		3N859	111935	
3KV63	174933		3N344	G120276		3N510	G120015		3N609	G150140		3N728	114204		3N860	111926	
3KV64	174934		3N345	G130326		3N511	G120016		3N610	G150066		3N734	G150157		3N861	111941	
3KV65	174930		3N346	G130328		3N512	G120087		3N611	G150007		3N735	G150140		3N863	114626	
3KV66	174920		3N347	G150165	C02	3N514	G120088		3N612	G150011		3N736	G150066		3N864	114628	
3KV67	174931		3N348	G150167	C02	3N515	G130008		3N613	G150015		3N737	G150007		3N865	114630	
3KW25	121003		3N349	101649		3N516	G130027		3N614	G150019		3N738	G150011		3N866	114632	
3KW28	121004		3N350	110031		3N517	G130015		3N615	G150023		3N739	G150015		3N867	114634	
3KW31	121005		3N350	101647		3N518	G130016		3N616	G150027		3N740	G150019		3N869	120172	

Cross Reference

This information is furnished as a guide only. Always check specific motor to determine suitability for direct replacement.

W.W. GRAINGER/DAYTON-TO-LEESON CROSS REFERENCE

LEESON			LEESON			LEESON			LEESON			LEESON			LEESON		
Grainger Cat. No.	Equivalent Cat. No.	Exception Code	Grainger Cat. No.	Equivalent Cat. No.	Exception Code	Grainger Cat. No.	Equivalent Cat. No.	Exception Code	Grainger Cat. No.	Equivalent Cat. No.	Exception Code	Grainger Cat. No.	Equivalent Cat. No.	Exception Code	Grainger Cat. No.	Equivalent Cat. No.	Exception Code
3N870	120081		4FM62	170045	C44	4K111	100722		4LX33	G130326		4N943	170035		4RG37	174917	
3N871	115553		4FM63	170031	C44	4K112	110288		4LX34	G130328		4N944	170037		4RG38	174918	
3N872	120035		4FM64	170031	C44,F16	4K113	110289		4LX35	G150165		4N945	170039		4RG39	174919	
3N873	110916		4FN11	170222	C44	4K114	110280		4M040	111321		4N946	170041		4RG41	174935	
3N874	101767	E02	4FN19	170019	C44	4K118	101159		4M041	100825		4N947	170043		4RG43	174935	
3N875	110044		4FN22	150120	C44	4K119	101120		4M042	100824		4N948	170045		4RG44	174939	
3VF56	110167		4FN25	150121	C44	4K120	101119		4M196	191891		4N949	170140		4RR19	G130664	
3VF58	111266		4FN28	150239	C44	4K121	112615		4M197	191912		4N950	170066		4RR20	G131171	
3VF68	098003		4FN29	150239	C44,F15	4K129	110097	P02	4M250	114620		4N951	170007		4RR21	G140466	
3VF69	098005		4FN57	120921		4K131	100184	C12,P03	4M251	100803		4N952	170011		4RX46	G120911	
3VF70	098000		4FN60	120922		4K252	191869		4M252	100804		4N953	170015		4TC28	G150086	
3VF71	098007		4FN63	120923		4K259	191870		4M253	111323		4N954	170019		4TC66	G120858	
3VF72	098009		4FN66	171320		4K260	112527		4M254	191872		4N955	170023		4TC72	G120586	
3VF73	108016		4FN68	131987	C01	4K261	112528		4M255	191871		4N960	170119		4TD79	G150166	
3VF74	108020		4FN69	171322		4K262	112529		4M256	191873		4N961	150121		4TD80	G150165	
3VF75	108021		4FN71	170158		4K263	113300		4N061	113304		4N962	150120		4TD81	G150168	
3VG03	G150165		4FN72	170157		4K530	100006		4N062	102198		4N963	150239		4TD82	G150167	
3VG04	G150167		4FN73	170122		4K531	100014		4N063	101637		4N964	170253		4TD83	G150103	
3VG05	G150102		4FN74	170159		4K588	100109	P01	4N064	101638		4N969	170140		4TD84	G150102	
3VG06	G150079		4FN75	170140		4K700	101620	P01,F01	4N065	113891		4N970	170066		4TD85	G150079	
3VG07	G150080		4FN76	170123		4K708	101405	P01,F01	4N066	113892		4N971	170007		4TD86	G150080	
3VG08	G150081		4FN77	170062		4K715	101585	P01,F01	4N067	113893		4N972	170019		4TD87	G150106	
3VG09	G150082		4FN78	170066		4K781	101781		4N068	110446	E01	4N973	170019	F14	4TD88	G150081	
3VG47	101524	C10	4FN79	170033		4K811	113930		4N069	114176		4N974	170023		4TD89	G150108	
3VG48	101525	C10	4FN80	170007		4K812	120071		4N070	114931		4N975	170023	F14	4TD90	G150082	
3VG49	101526	C10	4FN81	131640		4K813	120992	C42	4N071	110448		4N976	170027		4TD91	G150083	
3VG50	113686	C10	4FN82	131604	C34	4K814	132083		4N072	114208		4N977	170027	F15	4TD92	G150084	
3VG51	110279	C10	4FN83	131641		4K852	100006		4N073	110112		4N978	170031		4TD93	G150085	
3VG52	101527	C10	4FN84	131605		4K853	100014		4N074	114207		4N979	170031	F16	4TD94	G150086	
3VG53	101528	C10	4FN97	132044		4K855	100007		4N075	110192		4N980	170087		4TF03	G130662	
3VG54	101529	C10	4HZ72	G120490		4K856	100015		4N076	114206		4N981	170087	F17	4TF04	G130663	
3VG55	113687	C10	4JV45	M1760007		4K858	100008		4N077	111273		4N988	170011		4TF05	120761	
3VG56	110285	C10	4K015	110015	E01	4K859	100016		4N078	114205		4N989	170015		4TF06	120762	
3ZP87	110017		4K016	110012		4K928	100116		4N079	111630		4N990	170123		4TF07	112644	
3ZP89	G120077		4K017	110016		4K929	101015		4N080	114204		4N991	170068		4TF08	114616	
3ZP93	191869		4K018	110013		4K936	113635		4N082	113029		4N992	170001		4TF09	131596	
3ZP94	191869		4K019	110017		4K999	113583		4N083	113030		4N995	170096		4TF10	131597	
3ZP98	174914		4K020	110209		4KC00	113584		4N087	102197		4N996	170097		4TF12	112643	
3ZP99	174915		4K021	110018		4LW63	G120086		4N583	100446		4N997	170098		4TF14	G120588	
3ZR01	174914		4K022	110253		4LW65	G120076		4N590	114304		4N998	170099		4TF16	G130664	
3ZR02	174915		4K023	111333	P02	4LW66	G120088		4N601	121096		4N999	174936		4TF17	G131171	
4FG52	120554		4K024	100023		4LW67	121039		4N605	121093		4RF70	174939		4UX39	115048	
4FM29	171320	C44	4K025	100024		4LW68	G120185		4N609	121095		4RF82	174937		4UX54	114995	
4FM32	171322	C44	4K026	100025		4LW69	G120587		4N827	100905		4RF83	174940		4UX69	115024	
4FM34	170158	C44	4K027	100026		4LW71	G120588		4N865	G158159		4RF85	174938		4VZ02	121625	F04
4FM35	170157	C44	4K028	110220		4LW72	120761	E01	4N866	G158000		4RF86	174941		4VZ06	116485	
4FM36	170122	C44	4K029	110388	C07	4LW73	G121191		4N867	G825039		4RF87	174730		4VZ08	116486	
4FM37	170159	C44	4K058	111332	P03	4LW76	120760		4N868	G158001		4RF88	174942		4VZ10	116487	
4FM38	170140	C44	4K059	111333	P03	4LW77	114560		4N869	G158140		4RG15	174914		4VZ12	116488	
4FM39	170123	C44	4K060	120374	P03	4LW78	114562		4N870	G158010		4RG16	174915		4VZ36	116489	F04
4FM40	170062	C44	4K061	120375	P03	4LW79	114561		4N871	G825045		4RG17	174917		4X788	175026	
4FM41	170066	C44	4K062	120376	P03	4LW81	121165		4N872	G825047		4RG18	174918		4Z128	M1125074	
4FM42	170068	C44	4K064	110141		4LW82	G121166		4N873	G825041		4RG19	174919		4Z129	M1125071	
4FM43	170033	C44	4K065	110108		4LW86	G121286		4N874	G825043		4RG20	174545		4Z130	M1125069	
4FM44	170007	C44	4K066	110142		4LW89	110918		4N882	G158158		4RG21	174551		4Z131	M1115029	
4FM45	170001	C44	4K067	110109		4LW94	G120014		4N883	G158157		4RG22	174557		4Z132	M1115028	
4FM46	170035	C44	4K090	110090		4LW95	G120015		4N913	170159		4RG23	174560		4Z133	M1115027	
4FM47	170011	C44	4K092	131847		4LW96	G120016		4N914	170062		4RG24	174569		4Z134	M1115026	
4FM49	170037	C44	4K094	140640		4LW97	121004		4N915	170033		4RG25	174571		4Z137	M1135038 S07,S10,K86	
4FM50	170015	C44	4K096	113766	E02,P02	4LW98	G120015		4N916	170035		4RG27	174567		4Z140	M1120027	
4FM52	170039	C44	4K097	113767	E02,P02	4LX01	121003		4N917	170037		4RG28	174593		4Z141	M1120013	
4FM53	170019	C44	4K098	113768	E02,P02	4LX02	G120014		4N918	170039		4RG29	174572		4Z142	M1110003	
4FM54	170096	C44	4K099	113769	E02,P02	4LX04	G120087		4N919	170041		4RG30	174930		4Z143	M1120044	
4FM55	170041	C44	4K101	101602	F01	4LX05	G120016		4N920	170160		4RG31	174931		4Z144	M1120040	
4FM56	170023	C44	4K102	101405	F01	4LX06	G120012		4N928	170039	S05	4RG32	174931		4Z145	M1110006	
4FM57	170097	C44	4K103	101585	F01	4LX07	116595		4N929	170041	S05	4RG33	174933		4Z378	108023	
4FM58	170043	C44	4K108	100204	H01	4LX30	G130008		4N940	170159		4RG34	174914		4Z379	108262	
4FM59	170027	C44	4K109	100204		4LX31	G130027		4N941	170062		4RG35	174914		4Z380	128001	
4FM60	170027	C44,F15	4K110	100205		4LX32	G150157	C02	4N942	170033		4RG36	174915		4Z381	M1125073	

This information is furnished as a guide only. Always check specific motor to determine suitability for direct replacement.

Cross Reference

W.W. GRAINGER/DAYTON-TO-LEESON CROSS REFERENCE

LEESON			LEESON			LEESON			LEESON			LEESON			LEESON		
Grainger Cat. No.	Equivalent Cat. No.	Exception Code	Grainger Cat. No.	Equivalent Cat. No.	Exception Code	Grainger Cat. No.	Equivalent Cat. No.	Exception Code	Grainger Cat. No.	Equivalent Cat. No.	Exception Code	Grainger Cat. No.	Equivalent Cat. No.	Exception Code	Grainger Cat. No.	Equivalent Cat. No.	Exception Code
4Z382	M1125072		5K457	100008	C12	5K967	131533		5N094	111940		5N706	G158010		5N835	170098	
4Z383	M1125070		5K458	100008	C12	5K982	100003	C12	5N095	111929		5N708	G825046		5N836	170045	
4Z384	107026		5K459	100003	C12	5K987	100338	C12,P03	5N096	111929		5N709	G825047		5N837	170031	
4Z385	107027		5K459	100065		5K989	100111	P01,C12	5N097	111938		5N711	G825040		5N838	170099	
4Z386	107028		5K460	100005		5K991	101015	C12,P01	5N098	111923		5N712	G825041		5N839	170160	
4Z387	107029		5K469	110288		5K995	120044		5N099	111923		5N714	G825042		5N840	170087	
4Z388	107030		5K470	110289		5K995	120004		5N102	111942		5N715	G825043		5N844	170260	
4Z389	107031		5K475	110292		5K997	120042		5N103	111922		5N716	G825044		5N846	170371	
4Z390	107033		5K476	110293		5K999	131534		5N107	G120489		5N717	G825045		5N849	170352	
4Z391	107034		5K480	120000	B22	5M078	101341	C32	5N108	G120490		5N725	G158362		5U129	112527	
4Z392	107035		5K481	120042	B22	5M255	G120587	E02	5N111	G120391		5N728	G158319		5U130	112528	
4Z393	107036		5K482	131515	B23	5M256	113586		5N169	121556		5N730	G158366		5U131	113583	
4Z394	107037		5K483	131534	B23	5M257	113587		5N237	170215		5N746	G825046		5U132	112529	
4Z518	M1145023		5K484	131537	B23	5M258	112643		5N251	170158		5N748	G825040		5U133	113584	
4Z519	M1145024		5K485	120025	B22	5M259	112524		5N252	170122		5N773	120921		5U134	113300	
4Z520	M1145025		5K486	120026	B22	5M262	115751		5N253	170159		5N774	120922		5U175	111332	P03
4Z521	M1145026		5K487	131509	B23	5M264	113588		5N254	170123		5N775	120923		5U176	111333	P03
4Z522	M1145027		5K488	131533	B23	5M265	113589		5N255	170062		5N776	171320		5U192	174920	
4Z523	M1145028		5K489	131538	B23	5M266	113590		5N256	170066		5N777	171322		5U193	174921	
4Z524	108015		5K502	110009		5M267	113591		5N257	170068		5N778	170157		5U194	174922	
4Z524	098008		5K504	100011	C32	5M268	121039		5N258	170033		5N779	170140		5U195	174923	
4Z525	108019		5K554	101021	C12	5M269	113022		5N259	170007		5N780	170066		5U196	174924	
4Z525	098032		5K556	113643	C12	5M270	113023		5N260	170001		5N781	170007		5U197	174552	
4Z528	M1120042		5K565	110019		5M271	113024		5N261	170035		5N782	170011		5U198	174558	
4Z529	M1120046		5K597	100004	C10	5M277	113591	E01	5N262	170011		5N783	170015		5U199	174561	
5K044	101120		5K599	100558		5M279	113023		5N264	170037		5N784	121003		5U200	174563	
5K046	101119		5K606	110015		5M280	113593	E01	5N265	170015		5N785	121004		5U201	174565	
5K109	110900	E02	5K607	110016		5M281	120987	F07	5N267	170039		5N786	121005		5U202	112427	H01
5K109	103023		5K608	110017		5M282	113954		5N268	170019		5N787	131519		5U203	112427	
5K110	101651		5K609	110018		5M283	112427	H01	5N269	170096		5N788	131520		5U204	112428	
5K115	100001		5K617	110002		5M285	114312	E02	5N270	170041		5N789	170142	C02	5U206	G120585	
5K116	100002		5K636	110020		5M286	114314	E02	5N271	170023		5N790	170144	C02	5U210	113473	
5K117	100003		5K636	114619		5M287	114316	E02	5N272	170097		5N791	170065	C02	5U211	113019	
5K118	110001		5K641	113333		5M288	113581	E02	5N273	170043		5N792	170006	C02	5U212	113020	
5K121	110015		5K642	110004		5M289	113582	E02	5N274	170027		5N793	170009	C02	5U213	120760	
5K121	114613		5K644	110005		5M290	114313	E02	5N275	170098		5N794	170013	C02	5U214	113021	
5K221	191869	F01	5K645	120067		5M291	114317	E02	5N276	170045		5N795	120921		5U218	113588	
5K254	100016		5K657	100204		5M292	114315	E02	5N277	170031		5N798	120922		5U219	113586	
5K258	191870	F01	5K658	100205		5N004	170123		5N278	170099		5N799	131980	C01	5U220	112483	
5K262	110008		5K659	100722		5N005	170068		5N279	170160		5N801	120923		5U221	113589	
5K263	110014		5K660	100207		5N006	170001		5N280	170087		5N802	131981	C01	5U222	113587	
5K283	100015	C10	5K661	100208		5N010	170222		5N293	120921		5N804	171320		5U223	112484	
5K286	101782	F01	5K662	100723		5N034	171320		5N294	120922		5N805	171378		5U224	113590	
5K288	100015	C10	5K671	101020	C12	5N036	171320		5N295	120923		5N807	171322		5U225	112524	
5K308	101015	C12,P01	5K672	110011		5N046	171322		5N296	171320		5N808	171379		5U226	G120587	
5K339	100024		5K673	110220		5N048	171322		5N297	171322		5N809	170158		5U227	112522	
5K340	100025		5K675	131534		5N055	170158		5N298	170157		5N810	170157		5U228	113591	
5K341	102867		5K677	140155		5N057	170158		5N299	170140		5N811	170122		5U232	121039	
5K341	101766		5K683	100184	P03	5N058	170157		5N303	131971		5N812	170159		5U264	101776	
5K413	191869	F01	5K684	101433	P01	5N060	170157		5N305	131972		5N813	170140		5U265	114203	
5K423	111953	C12	5K694	100005		5N061	170122		5N307	171574	C02	5N814	170123		6A192	M1135069	S07,S10
5K431	110004	C12	5K696	100004		5N062	170122		5N308	131986		5N815	170062		6A193	M1115024	
5K432	113027	C12	5K756	100109		5N073	G825001		5N310	171575	C02	5N816	170066		6A194	M1115025	
5K435	100026		5K790	100011		5N074	G825004		5N311	131988		5N817	170068		6A197	M1125131	E02
5K442	110001	C12	5K801	100012		5N075	G825007		5N316	170146	C02	5N818	170033		6FN65	131985	C01
5K443	100001	P01	5K907	191868	C12	5N076	G825013		5N319	170067	C02	5N819	170007		6K005	101522	
5K444	100010	C12	5K914	191868	C12	5N077	G825002		5N321	170006		5N820	170001		6K024	110279	
5K445	100001		5K915	191868	C12	5N078	G825005		5N322	170000		5N821	170035		6K026	130030	
5K446	100014	C12	5K917	191869	C12,P01	5N079	G825008		5N351	171523		5N822	170011		6K026	131537	
5K448	100014		5K918	191869	C12	5N080	G825010		5N691	G158362		5N824	170037		6K030	191869	F01
5K449	100007	C12	5K921	110004		5N081	G825014		5N693	G158319		5N825	170015		6K034	111074	E01,H03
5K450	100002	C12	5K922	113027		5N085	G825011		5N694	G158366		5N827	170039		6K036	111074	E01
5K451	100007	C12	5K923	110005		5N087	111931		5N696	G158158		5N828	170019		6K039	111084	C05
5K452	100015		5K953	131515		5N088	111930		5N697	G158157		5N829	170096		6K040	110934	C05
5K453	100011	C12	5K955	100204	H01	5N089	111935		5N699	G158159		5N830	170041		6K041	110961	C05
5K453	100064		5K956	100207	H01	5N090	111926		5N700	G158140		5N831	170023		6K045	110908	B30
5K454	100015		5K960	110142		5N091	111941		5N702	G158000		5N832	170097		6K045	121680	
5K455	100004		5K961	110402		5N092	111932	H03	5N703	G158001		5N833	170043		6K085	100064	P01
5K456	100008	C12	5K966	131509		5N093	111932		5N705	G825039		5N834	170027		6K100	140311	S04

This information is furnished as a guide only. Always check specific motor to determine suitability for direct replacement.

W.W. GRAINGER/DAYTON-TO-LEESON CROSS REFERENCE

LEESON			LEESON			LEESON			LEESON			LEESON			LEESON		
Grainger Cat. No.	Equivalent Cat. No.	Exception Code	Grainger Cat. No.	Equivalent Cat. No.	Exception Code	Grainger Cat. No.	Equivalent Cat. No.	Exception Code	Grainger Cat. No.	Equivalent Cat. No.	Exception Code	Grainger Cat. No.	Equivalent Cat. No.	Exception Code	Grainger Cat. No.	Equivalent Cat. No.	Exception Code
6K108	100014		6K358	110108		6K633	131616		6K843	110088		6Z082	M1125129	E02			
6K120	100010		6K365	110479		6K634	140680		6K847	131543		6Z083	M1125130	E02			
6K122	110016		6K366	100010		6K635	100205		6K851	110089		6Z400	107000	C10,C32			
6K123	110017		6K369	107010	C10,C32	6K637	110021		6K854	130030		6Z401	107003	C10,C32			
6K130	140203		6K375	107017	C10,C32	6K639	110022		6K854	131537		6Z402	107006	C10,C32			
6K137	113373	C12	6K376	100012		6K640	110023		6K862	101524		6Z403	107013	C10,C32			
6K138	110363		6K383	107015	C10,C32	6K652	110362		6K863	101527		6Z404	107025				
6K145	131637		6K385	110097		6K674	110058		6K867	101525		6Z405	107032				
6K146	131549		6K388	100802		6K690	100722		6K868	101528		6Z406	108700				
6K148	110000		6K393	120067		6K695	100207	H01	6K869	111323	C32	6Z407	108701				
6K162	110005	C07	6K396	107012	C10,C32	6K699	110167		6K873	110241		6Z408	108702				
6K176	140120		6K397	101611		6K702	110420		6K874	110242		6Z409	108703				
6K177	100956		6K397	100064		6K704	100207		6K875	110243		6Z410	108704				
6K178	100338		6K403	191872	E01	6K706	100208		6K876	110282		6Z411	108705				
6K179	140684		6K405	191875	E01	6K709	100723		6K877	110283		6Z412	108706				
6K181	102870	P03	6K406	191872		6K710	113256		6K878	110284		6Z413	108707				
6K182	102864	P03	6K407	110209		6K714	110086		6K880	113642		6Z414	108708				
6K182	110349	P03	6K407	120025		6K716	191868	P01	6K881	131542		6Z415	108709				
6K184	110141		6K408	110064		6K717	191869		6K882	131543		6Z416	108710				
6K186	100015		6K409	110066		6K719	110087		6K883	140203		6Z417	108711				
6K187	100007		6K410	191871	E01	6K727	110088		6K883	140223		6Z418	108712				
6K188	100008		6K411	191875		6K728	111086		6K884	140130		6Z791	108502				
6K197	110416	P03	6K415	100741		6K734	111074	C10,H03,E01	6K884	140209		6Z816	M1145029				
6K232	110360		6K418	120008		6K738	111074	C10, E01	6K885	140414		6Z817	M1145031				
6K236	100003	C32	6K419	110253		6K740	110089		6K886	113938		6Z817	M1145030				
6K236	100065		6K419	120026		6K744	191869		6K887	131541	S07	6Z818	M1145031				
6K237	110000		6K420	120009		6K745	100052		6K891	101526		6Z819	M1145032				
6K241	100116	P03	6K422	110006		6K748	100053		6K893	101529		6Z820	M1145033				
6K243	100116	P03	6K422	120004		6K754	110097		6K894	113686		6Z821	M1145034				
6K244	101015	C12	6K424	120003		6K754	110160		6K896	113687		6Z822	M1145035				
6K246	110054	C12	6K436	110057		6K756	131534		6K897	110279		6Z911	M1115002	K87,C30			
6K247	110278		6K438	100109	C12	6K757	131537	C10	6K899	110285		6Z912	M1115001	K87,C30			
6K248	110241		6K472	110423		6K757	130030		6K902	101423	P02	6Z913	M1115000	K87,C30			
6K249	110242		6K473	110065		6K759	100003		6K912	100115	C12	6Z914	M1125002	K86,C30			
6K250	110281		6K477	110025		6K760	110054		6K924	100111	C12	6Z914	M1125003				
6K255	110282		6K478	110026		6K763	191870	C12,P01	6K927	101015	P01	6Z915	M1125003				
6K256	110283		6K481	102016	P03	6K765	110161		6K937	110012		6Z916	M1125005	K86,C30			
6K266	110243		6K490	100110	P03	6K765	110110		6K937	100012		C1422	110361				
6K267	110284		6K502	101544	C07	6K767	111267		6K938	110013		F100	110089				
6K271	120044		6K503	113630	C07	6K768	191870		6K949	110003		IL501	M1145037				
6K272	120042		6K504	113266		6K773	110232		6K949	100003		IL503	M1145082	S07,S08,C29			
6K284	110361		6K506	107014	C10,C32	6K773	110362		6K950	113921		IL504	M1145039	S07,S08,C29			
6K303	M1145024	C29,E01	6K508	110209		6K775	100015	C10	6K952	113922	P02	IL505	M1145040	S07,S08,C29			
6K306	110015	E01	6K510	110253		6K779	110222		6K958	100338							
6K306	114613		6K519	100008		6K794	120554		6K959	113923	P02						
6K307	110016		6K553	191868	C12	6K805	113633		6K969	140130							
6K308	110017		6K562	110018		6K806	191872		6K970	140414							
6K309	110018		6K563	111324		6K807	191871		6K971	100115	C12						
6K311	113938		6K570	191869	C12	6K809	191875		6K972	120879							
6K313	131541		6K571	100204	H01	6K810	111915		6K973	100116	C12						
6K321	110007		6K573	100204		6K812	113938		6K974	100023							
6K324	110579		6K575	100204		6K813	131541		6K975	102868							
6K328	M1145031	C29,C32	6K583	107016	C10,C32	6K814	131542		6K975	102866							
6K329	M1145032	C29,C32	6K589	191870		6K815	131543		6K981	111330							
6K330	111075	E01	6K592	110086	P02	6K816	140223		6K994	121569							
6K331	M1145033	C29,C32	6K596	113955	H01	6K817	140209		6N020	113020							
6K332	M1145034	C29,C32	6K597	113955		6K818	140414		6N021	113021							
6K333	111085		6K598	113956		6K825	120044		6N022	113019							
6K334	M1145035	C29,C32	6K599	113639		6K826	120042		6N023	113473							
6K336	110279		6K600	113640		6K827	120025		6N024	120760							
6K337	110285		6K610	130043		6K828	120026		6N025	120761							
6K338	110109		6K610	131542		6K829	111075		6N028	113021							
6K342	102862		6K614	110110		6K831	110413	P03	6N029	113020							
6K346	100603		6K619	110087	P02	6K832	110419	P03	6N030	113019							
6K347	110478		6K622	110088	P02	6K833	111085		6N031	112427							
6K351	107004	C10,C32	6K628	140681		6K837	111086		6Z074	M1125050	E01,C29						
6K352	107002	C10,C32	6K630	120107		6K840	113256		6Z076	M1125127	E02,C29						
6K353	107005	C10,C32	6K631	120106		6K841	110086		6Z081	M1125052							
6K354	107001	C10,C32	6K632	131636		6K841	110087		6Z081	M1125128	E02,C29						

Cross Reference

DC SUB-FHP GEARMOTOR CROSS REFERENCE

PZ SERIES DC GEARMOTORS: Parallel Shaft

Output RPM	F.L. Torque (lb.in.)	Input HP	LEESON Catalog No.	Cross Reference			
				Dayton	Bodine	Baldor	Bison
4	100	1/40	M1115002	6Z911	199	—	011-190-0362
			M1125046	—	—	—	—
10	100	1/20	M1115001	6Z912	198	GPP231108	011-190-0186
			M1125047	—	—	—	—
20	100	1/20	M1115000	6Z913	196	GPP232110	011-190-0096
			M1125048	—	—	GPP233120	—
30	100	1/17	M1125002	6Z914	190	GPP233112	011-190-0072
			M1125037	—	—	—	—
60	56	1/17	M1125003	6Z914	—	GPP233111	011-190-0025
			M1125036	—	—	GPP233121	—
100	36	1/17	M1125004	—	189	GPP12503	011-190-0019
			M1125035	—	—	—	—
150	24	1/17	M1125005	6Z916	188	—	011-190-0013
			M1125034	—	—	—	—
300	10	1/17	M1125006	—	157	—	011-190-0007
			M1125033	—	—	—	—

P300 SERIES DC GEARMOTORS: Parallel Shaft

Output RPM	F.L. Torque (lb.in.)	Input HP	LEESON Catalog No.	Cross Reference			
				Dayton	Bodine	Baldor	Bison
5	353	1/20	M1115024	6A193	—	—	011-336-1369
9	268	1/20	M1115025	6A194	4147	GPP233141	011-336-1208
18	150	1/20	M1115026	4Z134	4146	GPP233140	011-336-1091
24	280	1/8	M1125069	4Z130	4156	—	011-336-2082
31	220	1/8	M1125070	4Z383	4155	GPP12547	011-336-2060
34	82	1/20	M1115027	4Z133	—	GPP233112	011-336-1053
51	130	1/8	M1125071	4Z129	4154	—	011-336-2036
51	55	1/20	M1115028	4Z132	—	GPP233111	011-336-1030
61	113	1/8	M1125072	4Z382	4154	GPP12545	011-336-2028
94	77	1/8	M1125073	4Z381	4153	GPP12544	011-336-2019
109	27	1/20	M1115029	4Z131	—	—	011-336-1017
170	43	1/8	M1125074	4Z128	4151	GPP12542	011-336-2011

P1100 SERIES DC GEARMOTORS: Parallel Shaft

Output RPM	F.L. Torque (lb.in.)	Ratio to 1	Input HP	LEESON Catalog No.	Cross Reference	
					Dayton	Bison
8	1087	212	1/4	108700	6Z406	011-483-4197
12	1030	143	1/4	108701	6Z407	011-483-4131
18	750	95	1/4	108702	6Z408	011-483-4087
42	353	42	1/4	108703	6Z409	011-483-4041
60	238	29	1/4	108704	6Z410	011-483-4028
92	160	19	1/4	108705	6Z411	011-483-4018
135	105	13	1/4	108706	6Z412	011-483-4012
18	1112	95	1/2	108707*	6Z413	011-483-2087
33	882	53	1/2	108708*	6Z414	011-483-2058
42	705	42	1/2	108709*	6Z415	011-483-2041
60	476	29	1/2	108710*	6Z416	011-483-2028
92	320	19	1/2	108711*	6Z417	011-483-2018
135	210	13	1/2	108712*	6Z418	011-483-2012

* Indicates TEFC design, others are TENV

Application Notes:

P1100 DC gearmotors have the same mounting dimensions as Bison 483 gearmotors and Dayton gearmotors. For additional information, see Bulletin 1830.

RIGHT-ANGLE DC GEARMOTORS

Output RPM	F.L. Torque (lb.in.)	Input HP	LEESON Catalog No.	Cross Reference		
				Dayton	Bodine	Baldor
42	30	1/17	M1115018	—	99	—
62	35	1/17	M1115019	—	98	GP233003~
125	20	1/17	M1115020	—	96	GP233007~
250	11	1/17	M1115021	—	94	—
500	6	1/17	M1115022	—	93	—
42	80	1/8	M1135069	6A192	—	GP7403~
62	70	1/8	M1135038	4Z137	4144	GP7402~
			M1135058	—	6144	—
125	45	1/8	M1135039	—	4142	—
			—	—	6142	—
250	25	1/8	M1135040	—	4141	—
500	13	1/8	M1135041	—	4140	—
62	135	1/4	M1135042	1L498	4138	GP7405~
			M1135062	—	—	GP7425~
83	125	1/4	M1135043	1L499	4137	GP7407~
			M1135063	—	—	GP7427~
125	90	1/4	M1135044	—	4136	—
250	50	1/4	M1135045	—	4135	—
500	30	1/4	M1135046	—	4134	—

~Mounting base and output shaft height are not 'drop-in' replacement.

Some Dayton and all Baldor right-angle gearmotors have double output shafts.

PE350 SERIES DC GEARMOTORS: Parallel Shaft

Output RPM	F.L. Torque (lb.in.)	Input HP	LEESON Catalog No.	Baldor	Cross Reference		
					Bodine	Bison	Dayton
7	330	1/8	M1135106	GPP7459	4175	011-348-7215	6ML63
			M1135139	GPP7479	—	—	6ML64
14	341	1/8	M1135107	GPP7462	4174	011-348-7102	6ML65
			M1135140	GPP7478	—	—	6ML66
21	371	1/4	M1135117	GPP7457	4173	—	6ML67
			M1135141	GPP7477	—	—	6ML68
27	305	1/4	M1135115	GPP7461	—	—	6ML69
			M1135142	—	—	—	6ML70
42	280	1/4	M1135108	GPP7456	4185	011-348-7041	6ML71
			M1135143	GPP7476	—	—	6ML72
50	250	1/4	M1135109	GPP7460	—	011-348-7034	6ML73
			M1135144	—	—	—	6ML74
62	220	1/4	M1135110	GPP7455	4184	011-348-7029	6ML75
			M1135145	GPP7475	—	—	6ML51
83	155	1/4	M1135114	GPP7454	4183	—	6ML52
			M1135146	GPP7474	—	—	6ML53
125	100	1/4	M1135111	GPP7453	4182	—	6ML54
			M1135147	GPP7473	—	—	6ML55
165	70	1/4	M1135112	GPP7452	4181	—	6ML56
			M1135148	GPP7472	—	—	6ML57
250	45	1/4	M1135116	GPP7451	4180	—	6ML58
			M1135149	GPP7471	—	—	6ML59
500	25	1/4	M1135113	GPP7450	4179	—	6ML60
			M1135150	GPP7470	—	—	6ML61

AC SUB-FHP GEARMOTOR CROSS REFERENCE

PZ SERIES AC GEARMOTORS: Parallel Shaft

Output RPM	F.L. Torque (lb.in.)	Input HP	LEESON Catalog No.	Cross Reference			
				Dayton	Bodine	Baldor	Bison
2	100	1/150	M1125050	6Z074	—	—	016-103-2362
9	100	1/15	M1125127*	6Z076	0449	GCP24114	016-103-2186
19	100	1/15	M1125128*	6Z081	0448	GCP24122	016-103-1096
28	100	1/15	M1125129*	6Z082	0455	GCP24124	—
57	56	1/15	M1125130*	6Z083	0454	GCP24134	016-103-1025
94	36	1/15	M1125131*	6A197	0453	—	016-103-1019
142	24	1/15	M1125132*	—	0452	—	016-103-1013
283	12	1/15	M1125133*	—	0451	—	—

* These motors are TEFC.

P240 SERIES AC GEARMOTORS: Parallel Shaft

Output RPM	F.L. Torque (lb.in.)	Input HP	LEESON Catalog No.	Cross Reference			
				Dayton	Bodine	Baldor	Bison
8	345	1/15	M1145029	6Z816	0476	GCP24004	016-226-6215
15	250	1/15	M1145023	4Z518	0485	—	—
16	391	1/6	M1145030	6Z817	0485	—	016-226-6102
30	135	1/15	M1145024	4Z519	—	—	—
30	295	1/6	M1145031	6Z818	0484	—	016-226-6058
40	219	1/6	M1145032	6Z819	0483	GCP25052	016-226-6036
45	92	1/15	M1145025	4Z520	—	—	—
60	157	1/6	M1145033	6Z820	0482	GCP25054	016-226-6028
70	61	1/15	M1145026	4Z521	—	—	—
90	103	1/6	M1145034	6Z821	0481	GCP25056	016-226-6019
97	43	1/15	M1145027	4Z522	—	—	—
139	30	1/15	M1145028	4Z523	0480	—	—
156	60	1/6	M1145035	6Z822	—	GCP25060	016-226-6011

PE350 SERIES AC GEARMOTORS • SINGLE PHASE: Parallel Shaft

Output RPM	F.L. Torque (lb.in.)	Input HP	LEESON Catalog No.	Cross Reference			
				Baldor	Bodine	Bison	Dayton
5	310	1/12	096000	—	0671	016-246-6254	6MK70
9	341	1/12	096001	—	0669	016-246-6170	6MK71
14	330	1/12	096002	GCP9320	0636*	—	6MK72
19	250	1/12	096003	GCP9322	0635*	016-246-6082	6MK73
29	270	1/6	096004	—	0685	016-246-6058	6MK74
34	250	1/6	096005	—	—	—	6MK75
40	180	1/6	096006	—	0654*	—	6MK76
59	135	1/6	096007	GCP3305	0683	016-246-6028	6MK77
75	90	1/6	096008	—	0681	016-246-6023	6MK78
113	68	1/6	096009	—	0651*	016-246-6015	6MK79
160	45	1/6	096010	GCP3315	0680	016-246-6011	6MK80
340	25	1/6	096011	GCP3320	0679	016-246-6005	6MK81

*Split Phase Type

PE350 HIGH TORQUE • SINGLE PHASE: Cap Start

Output RPM	F.L. Torque (lb.in.)	Input HP	LEESON Catalog No.	Cross Reference			
				Baldor	Bodine	Bison	Dayton
58	320	1/3	096049	GLP3330	0664*	—	—
85	218	1/3	096050	GLP3332	0663*	—	—
173	109	1/3	096051	GLP3336	0662*	—	—
345	55	1/3	096052	GLP3338	0662*	—	—

*Split Phase Type

PE350 SERIES AC GEARMOTORS • THREE PHASE: Parallel Shaft

Output RPM	F.L. Torque (lb.in.)	Input HP	LEESON Catalog No.	Cross Reference			
				Baldor	Bodine	Bison	Dayton
58	320	1/3	096013	GMP3330	0666	017-246-0029	6MK82
85	218	1/3	096014	GMP3332	0642	017-246-0019	6MK83
173	109	1/3	096015	GMP3336	0665	017-246-0011	6MK84
345	55	1/3	096016	GMP3338	—	017-246-0005	6MK85

This information is furnished as a guide only. Always check specific motor to determine suitability for direct replacement.

P1100 SERIES AC GEARMOTORS • SINGLE PHASE: Parallel Shaft

Output RPM	F.L. Torque (lb.in.)	Ratio to 1	Input HP	LEESON Catalog No.	Cross Reference	
					Dayton	Bison*
8	975	212	1/4	107000	6Z400	014-482-4211
12	1030	143	1/4	107004	6K351	014-482-4143
18	800	95	1/4	107003	6Z401	014-482-4095
26	569	66	1/4	107002	6K352	—
59	248	29	1/4	107005	6K353	014-482-4029
133	114	13	1/4	107001	6K354	014-482-4011
18	1089	95	1/3	107006	6Z402	014-482-3095
26	752	66	1/3	107012	6K396	014-482-3066
41	461	42	1/3	107011	2Z842	014-482-3042
59	330	29	1/3	107010	6K369	014-482-3029
91	224	19	1/3	107009	2Z843	014-482-3019
157	125	11	1/3	107008	2Z844	014-482-3011
288	70	6	1/3	107007	2Z845	014-482-3006
22	1105	79	1/2	107013	6Z403	—
41	700	42	1/2	107017	6K375	014-482-2042
59	496	29	1/2	107016	6K583	014-482-2029
91	336	19	1/2	107015	6K383	014-482-2019
133	229	13	1/2	107014	6K506	014-482-2011

* BISON units are split phase design.

P1100 SERIES AC GEARMOTORS • THREE PHASE: Parallel Shaft

Output RPM	F.L. Torque (lb.in.)	Ratio to 1	Input HP	LEESON Catalog No.	Cross Reference	
					Dayton	Bison
18	1089	95	1/3	107025	6Z404	—
26	752	66	1/3	107026	4Z384	—
41	461	42	1/3	107027	4Z385	—
59	330	29	1/3	107028	4Z386	—
91	224	19	1/3	107029	4Z387	—
157	125	11	1/3	107030	4Z388	—
288	70	6	1/3	107031	4Z389	—
22	1105	79	1/2	107032	6Z405	017-482-0095
41	700	42	1/2	107033	4Z390	017-482-0042
59	496	29	1/2	107034	4Z391	017-482-0029
91	336	19	1/2	107035	4Z392	017-482-0019
133	229	13	1/2	107036	4Z393	017-482-0011
288	100	6	1/2	107037	4Z394	017-482-0006

Application Notes:

P1100 AC gearmotors have the same mounting dimensions as BISON 482 gearmotors and Dayton gearmotors. For additional information, see Bulletin 1830.

RIGHT-ANGLE AC GEARMOTORS

Output RPM	F.L. Torque (lb.in.)	Input HP	LEESON Catalog No.	Cross Reference			
				Dayton	Bodine	Baldor	Bison
28	37	1/15	M1125080	IL536	0492	—	—
43	34	1/15	M1125081	IL538	0491	GC24310~	—
58	40	1/15	M1125082	IL535	0487	—	—
85	24	1/15	M1125083	IL534	0490	GC24306~	—
173	14	1/15	M1125084	IL533	0488	GC24302~	—
29	110	1/6	M1145037	IL501	—	—	—
43	113	1/6	M1145038	IL502	0678	GC25020~	—
57	95	1/6	M1145082	IL503	—	GC25015~	026-756-8030
83	75	1/6	M1145039	IL504	0677	GC25010~	026-756-8020
170	43	1/6	M1145040	IL505	0672	—	026-756-8010
340	23	1/6	M1145041	—	0670	—	026-756-8005

~Mounting base and output shaft height are not 'drop-in' replacement.

Some Dayton and all Baldor right-angle gearmotors have double output shafts.

LEESON CATALOG NUMBER INDEX • Motors, Sub-FHP Gearmotors, Drives, and Accessories

Catalog Number	Page	HP	RPM	List Price \$	Wgt. (lbs.)	Catalog Number	Page	HP	RPM	List Price \$	Wgt. (lbs.)	Catalog Number	Page	HP	RPM	List Price \$	Wgt. (lbs.)	Catalog Number	Page	HP	RPM	List Price \$	Wgt. (lbs.)
003042.02	107			\$ 40	1	100020	22	1/2	1725	\$357	20	101020	57	1/4	1725	\$282	20	102664	24	1/3	1725	\$280	20
003042.04	107			45	1	100021	22	3/4	1725	440	24	101021	57	1/3	1725	356	26	102665	22	1/2	1725	361	22
003042.05	107			40	1	100023	22	1/4	1725	256	17	101051	66	1/2	1725	320	24	102666	24	1/2	1725	339	24
003042.06	107			35	1	100024	22	1/3	1725	298	17	101079	10	1/3	1725	279	22	102684	10	1/3	3450	253	18
003043.01	107			40	1	100025	22	1/2	1725	338	19	101119	72	3/4	1725	549	24	102685	75	1/4	1425	330	19
003043.05	107			35	1	100026	22	3/4	1725	408	24	101120	72	1/2	1725	470	22	102686	75	1/3	2850	329	19
092011	20	1/6	3450	255	16	100027	10	1/4	1725	232	16	101159	72	1/3	1725	417	21	102687	75	1/3	2850	345	19
092012	20	1/6	1725	270	21	100028	10	1/3	1725	245	18	101176	57.69	1/2	1750	383	24	102688	75	1/3	1425	396	19
092013	20	1/4	3450	274	21	100029	10	1/2	1725	280	20	101252	57.69	1/4	1750	313	19	102689	75	1/3	1425	379	19
092014	20	1/6	3450	311	13	100030	10	3/4	1725	313	24	101253	57.69	1/3	1750	362	22	102690	75	1/2	2850	380	20
092015	20	1/6	1725	345	14	100045	55	1/2	1725	316	20	101291	24	1/3	1140	453	20	102691	75	1/2	2850	401	20
092016	20	1/4	3450	328	15	100046	55	3/4	1725	432	26	101341	72	1/4	1625	315	17	102692	75	1/2	1425	448	20
092111	8	1/12	1725	237	14	100047	55	3/4	1725	362	25	101405	19.55	1/3	1725	349	19	102693	75	1/2	1425	414	20
092112	8	1/4	3450	273	19	100048	24	1/3	1725	258	17	101423	8	1/4	1725	277	16	102694	75	1/2	1425	445	20
092114	8	1/8	1725	245	16	100049	24	1/2	1725	298	21	101431	55	1/3	3450	233	17	102695	18.24	1/3	1725	317	22
092116	8	1/6	1725	269	17	100050	24	3/4	1725	331	24	101432	55	1/2	3450	257	20	102696	18.24	1/3	1725	397	22
096000	104	1/12	5	587	21	100052	8	1/2	3450	256	21	101433	55	3/4	3450	302	22	102697	18.26	1/3	1725	405	22
096001	104	1/12	9	587	21	100053	8.61	3/4	3450	323	24	101434	55	1/4	3450	226	16	102792	19	1/6	1725	252	25
096002	104	1/12	14	587	21	100054	22	1/2	3450	255	18	101435	72	1/3	1725	402	21	102793	19	1/4	1725	286	26
096003	104	1/12	19	587	21	100055	22	3/4	3450	335	24	101436	72	1/2	1725	459	22	102794	19	1/3	1725	313	28
096004	104	1/6	29	617	26	100056	24	1/2	3450	253	17	101437	72	3/4	1725	473	28	102795	19	1/2	1725	351	30
096005	104	1/6	34	617	26	100063	55	1/3	1725	265	19	101446	8	1/4	1725	302	18	102860	24	1/2	1725	339	19
096006	104	1/6	40	617	26	100064	55	1/2	1725	317	20	101447	10	1/3	3450	237	14	102861	24	1/2	1725	351	23
096007	104	1/6	59	582	26	100065	55	3/4	1725	357	25	101448	10	1/2	3450	251	17	102862	22	1/2	1725	370	21
096008	104	1/6	75	582	26	100109	55	1/4	1725	265	17	101449	10	3/4	3450	297	20	102863	24	1/3	1725	297	19
096009	104	1/6	113	582	26	100110	55	1/3	1725	325	18	101520	56	1/3	1725	357	19	102864	22	1/2	3450	288	22
096010	104	1/6	160	582	26	100111	55	1/4	1725	229	17	101521	22	1/4	1725	278	17	102865	22	1/2	1725	391	22
096011	104	1/6	340	582	26	100115	8	1/4	1725	229	16	101522	22	1/3	1725	315	17	102866	22	1/4	1725	297	18
096013	104	1/3	58	677	27	100116	8	1/3	1725	262	17	101523	22	3/4	1725	435	26	102867	22	1/3	1725	320	23
096014	104	1/3	85	636	27	100123	20	1/4	1725	262	16	101524	50	1/2	3450	253	19	102868	22	1/4	1725	297	22
096015	104	1/3	173	636	27	100145	56	1/2	1725	338	22	101525	50	3/4	3450	292	22	102869	22	1/3	1725	337	25
096016	104	1/3	345	636	27	100146	56	3/4	1725	375	25	101526	50	1	3450	326	25	102870	22	1/3	3450	255	20
096049	104	1/3	58	682	28	100184	8	1/2	3450	237	19	101527	50	1/2	3450	262	20	102871	22	1/2	1725	386	24
096050	104	1/3	85	641	28	100204	48	1/2	3450	245	19	101528	50	3/4	3450	303	23	102872	22	1/2	3450	306	25
096051	104	1/3	173	641	28	100205	48	3/4	3450	322	21	101529	50	1	3450	332	24	102873	22	1/3	3450	255	24
096052	104	1/3	345	641	28	100207	48	1/2	3450	235	19	101544	8.61	3/4	1725	467	28	102903	23	1/2	1725	303	25
096065	108	1/6	9	539	21	100208	48	3/4	3450	307	21	101585	19.55	1/2	1725	398	25	102904	8	1/2	3450	305	25
096066	108	1/4	29	544	27	100210	56	1/3	1725	295	18	101602	19.55	1/4	1725	295	19	102905	8	1/2	3450	285	22
096067	108	1/4	58	544	27	100336	8	1/3	3450	214	26	101611	55	1/2	1725	350	22	102906	8	1/2	1725	330	22
096068	108	1/4	85	533	26	100337	8	1/2	3450	237	20	101637	49	3/4	3450	310	18	102907	23	1/2	1725	388	22
096069	108	1/4	173	533	26	100338	8	1/2	1725	331	20	101638	49	1	3450	344	25	102908	8	1/2	1725	396	24.5
096070	108	1/4	345	533	26	100340	8	3/4	3450	289	24	101639	56	1/3	3450	271	17	102909	8	1/2	1725	387	22
098000	81	1/2	1750	574	26	100354	22	1/3	3450	225	17	101640	56	1/2	3450	325	18	102910	23	1/3	1725	323	25
098002	81	1/4	1750	486	19	100355	22	1/3	3450	237	17	101641	56	3/4	3450	396	20	102911	20	1/3	1725	329	24
098003	81	1/4	1750	486	22	100356	22	1/2	3450	237	19	101643	72	1/2	1425	508	26	102912	20	1/3	1725	291	25
098004	81	1/3	1750	516	23	100357	22	3/4	3450	305	24	101644	72	3/4	1425	546	30	102913	20	1/3	1725	333	25
098005	81	1/3	1750	516	23	100361	20	1/4	1725	262	17	101645	57.69	1/2	1075	506	27	102914	20	1/4	1725	265	24
098006	81	1/2	2500	516	22	100362	20	1/3	3450	253	24	101646	10	1/4	1725	254	18	102915	20	1/4	1725	299	23
098007	81	1/2	2500	516	22	100366	20	1/2	3450	289	27	101647	10	1/3	1725	304	21	102916	23	1/4	1725	304	22
098008	81	1/2	1750	574	25	100375	24	1/3	3450	236	15	101648	24	1/4	1725	269	17	102917	26	1/2	1725	367	19
098009	81	3/4	2500	618	26	100378	24	3/4	3450	300	20	101649	20	1/4	1725	262	16	102918	20	1/2	1725	337	21
098010	81	3/4	2500	618	25	100443	20	1/3	1725	291	19	101650	23	3/4	1725	428	27	102919	26	1/2	1725	367	22
098014	84	1/3	1800	454	23	100446	10	1/3	1725	251	17	101651	23	1/2	1725	370	21	102920	20	1/3	1725	289	20
098015	84	1/2	1800	516	26	100449	24	1/2	3450	309	23	101765	22	1/4	1725	299	18	102921	26	1/3	1725	317	18
098016	84	1/2	3000	485	21	100486	24	1/2	1725	353	24	101766	22	1/3	1725	322	22	102922	26	1/3	1725	316	19
098017	84	3/4	3000	558	24	100588	8	1/3	1725	311	18	101767	24	1/4	1725	269	19	102929	23	1/3	3450	302	22
098032	81	3/4	1750	697	36	100599	26	1/3	1725	287	18	101769	24	1/3	1725	291	20	102930	23	1/3	1725	323	24
098040	82	1/2	1750	654	22	100600	26	1/2	3450	273	17	101773	56	3/4	3450	340	20	102931	8	1/3	1725	289	23
098065	86	1/4	1800	494	19	100601	26	1/2	1725	325	20	101775	49	1	3450	347	26	102932	8	1/3	1725	341	23
098066	86	1/2																					

LEESON CATALOG NUMBER INDEX • Motors, Sub-FHP Gearmotors, Drives, and Accessories

Catalog Number	Page	HP	RPM	List Price \$	Wgt. (lbs.)	Catalog Number	Page	HP	RPM	List Price \$	Wgt. (lbs.)	Catalog Number	Page	HP	RPM	List Price \$	Wgt. (lbs.)	Catalog Number	Page	HP	RPM	List Price \$	Wgt. (lbs.)
107007	105	1/3	288	\$820	30	109068	89	1/3	1750	\$1096	44	110112	24	1	3450	\$381	21	110444	10	1-1/2	1725	\$401	30
107008	105	1/3	157	820	30	109069	89	1/2	1750	1280	46	110125	24	1-1/2	1725	414	29	110446	24	1/3	3450	265	20
107009	105	1/3	91	820	30	109070	89	1/2	1750	1280	46	110142	8,61.63	1	3450	417	28	110448	24	3/4	3450	324	21
107010	105	1/3	59	820	30	109071	89	1/2	1750	1280	46	110143	20	1/2	3450	287	25	110451	25	2	1725	441	34
107011	105	1/3	41	820	30	109072	89	3/4	1750	1559	47	110144	24	1/2	3450	309	25	110478	55	1	3450	371	28
107012	105	1/3	26	837	31	109073	89	3/4	1750	1559	48	110145	10	1	3450	379	24	110479	55	1-1/2	3450	477	30
107013	105	1/2	22	912	33	109074	89	3/4	1750	1559	48	110160	62	1	3450	323	27	110492	68	1/2	1725	504	22
107014	105	1/2	133	894	32	109075	89	1	1750	1810	51	110161	62	1-1/2	3450	355	33	110493	68	3/4	1725	589	29
107015	105	1/2	91	894	32	109076	89	1	1750	1810	50	110163	24	1/2	1140	489	25	110494	68	1	1725	668	33
107016	105	1/2	59	894	32	109077	89	1	1750	1810	50	110167	8	1	1725	473	30	110495	68	1-1/2	1725	759	43
107017	105	1/2	41	894	32	109078	89	1/4	1750	1012	38	110176	66	1/2	1725	341	20	110579	55	1-1/2	1725	567	38
107025	105	1/3	18	891	33	109079	89	1/3	1750	1072	44	110177	66	3/4	1725	366	21	110669	45	1/3	1725	698	30
107026	105	1/3	26	891	31	109080	89	1/3	1750	1072	44	110178	66	3/4	1725	341	22	110670	45	1/2	1725	785	34
107027	105	1/3	41	872	30	109081	89	1/3	1750	1072	44	110180	23	1	3450	398	28	110671	45	3/4	1725	918	34
107028	105	1/3	59	872	30	109082	89	1/2	1750	1257	46	110181	26	1	3450	402	24	110679	45	1	1725	1080	32
107029	105	1/3	91	872	30	109083	89	1/2	1750	1257	46	110182	26	1/2	3450	314	26	110714	66	1/2	3450	294	25
107030	105	1/3	157	872	30	109084	89	1/2	1750	1257	46	110192	24	1-1/2	3450	420	28	110715	66	1	3450	379	24
107031	105	1/3	288	872	30	109085	89	3/4	1750	1535	47	110199	66	1/2	1725	320	25	110745	10	1-1/2	3450	415	30
107032	105	1/2	22	939	33	109086	89	3/4	1750	1535	48	110204	66	1	1725	391	30	110852	40	1	1725	872	53
107033	105	1/2	41	925	32	109087	89	3/4	1750	1535	48	110206	66	1	1725	357	24	110893	66	1-1/2	1725	403	30
107034	105	1/2	59	925	32	109088	89	1	1750	1786	51	110209	8	1	1725	454	30	110901	26	1	1725	423	28
107035	105	1/2	91	925	32	109089	89	1	1750	1786	50	110220	22	1	1725	433	30	110902	26	1-1/2	1725	445	29
107036	105	1/2	133	925	32	109090	89	1	1750	1786	50	110222	62	3	3450	415	38	110905	23	3/4	1725	469	26
107037	105	1/2	288	925	31	109096	81	1	1750	834	47	110232	62	2	3450	369	33	110908	23	1	1725	530	30
108014	81	1/2	1750	602	29	109097	81	1	1750	834	39	110241	50	3/4	3450	370	29	110909	23	1-1/2	3450	515	34
108015	81	1/2	1750	602	30	109098	81	1/3	1140	632	32	110242	50	1	3450	399	31	110910	23	1-1/2	1725	630	39
108016	81	3/4	2500	649	29	109099	81	1/2	1140	664	40	110243	50	1-1/2	3450	516	36	110912	26	1	1725	420	24
108017	81	3/4	2500	649	29	109100	81	3/4	1140	897	49	110253	9	1-1/2	1725	516	38	110914	26	1/2	1140	492	25
108018	81	3/4	1750	732	38	109101	86	1	1800	690	37	110255	66	1	1725	375	30	110915	26	3/4	3450	340	23
108019	81	3/4	1750	732	35	109102	86	1	1800	666	37	110275	10	3/4	1140	473	33	110916	26	3/4	1725	394	22
108020	81	1	2500	697	34	109103	86	1-1/2	1800	1051	39	110276	8	3/4	3450	320	26	110917	26	1-1/2	3450	451	29
108021	81	1	2500	697	38	109104	86	1-1/2	1800	1038	37	110278	50	1/2	3450	296	24	110918	26	1-1/2	1725	443	30
108022	81	1	1750	852	47	109105	86	1-1/2	1800	1002	37	110279	50	2	3450	579	40	110934	40	3/4	1725	732	46
108023	81	1	1750	852	39	109106	86	2	1800	1316	42	110280	48,50	3	3450	602	49	110961	40	1	1725	833	47
108045	86	1/4	1800	520	21	109107	86	2	1800	1217	42	110281	50	1/2	3450	309	25	111074	40	1/3	1725	593	35
108046	86	1/3	1800	573	24	109108	86	2	1800	1170	42	110282	50	3/4	3450	333	30	111075	40	1/3	1725	621	41
108047	86	1/2	1800	595	29	110000	8	1	1725	455	28	110283	50	1	3450	377	31	111084	40	1/2	1725	621	41
108048	86	3/4	1800	657	30	110001	8	1/3	1140	391	29	110284	50	1-1/2	3450	481	36	111085	40	1/2	1725	689	45
108050	86	1/3	1800	548	22	110002	8	1/2	1140	591	32	110285	50	2	3450	581	41	111086	40	3/4	1725	765	50
108051	86	1/2	1800	568	29	110003	8	3/4	1140	665	44	110286	48,50	3	3450	569	51	111095	40	1/3	3450	593	38
108052	86	3/4	1800	594	30	110004	8	1	1725	403	28	110288	48	1-1/2	3450	457	31	111096	40	1	3450	689	49
108053	86	1	1800	721	37	110005	9	1-1/2	1725	524	37	110289	48	2	3450	589	37	111097	40	3/4	3450	642	40
108092	81	1-1/2	1750	1065	53	110006	9	1-1/2	1725	570	38	110292	48	1-1/2	3450	447	31	111098	40	1/2	3450	598	35
108226	30,82	1/2	1750	739	38	110007	55	1	1725	468	29	110293	48	2	3450	552	37	111147	58	1	1140	586	37
108227	30,82	1/2	1750	739	43	110009	8	1/3	1140	445	34	110308	22	3/4	1725	457	28	111148	58	1-1/2	1140	640	42
108228	30,82	3/4	1750	897	53	110011	8	1/2	1140	634	38	110313	10	3/4	3450	324	22	111202	57,69	1/3	1625	359	27
108229	30,82	3/4	1750	897	50	110013	8	3/4	1725	396	29	110352	9	2	3450	638	41	111266	57,69	3/4	1625	570	36
108230	30,82	1	1750	1094	45	110017	8	3/4	1725	483	26	110353	10	1/2	1140	473	26	111267	57,69	1	1625	598	39
108231	30,82	1	1750	1094	42	110018	8	1	1725	541	29	110354	66	3/4	3450	324	22	111273	25	2	3450	477	36
108232	30,82	1-1/2	1750	1397	50	110019	9	1-1/2	1725	642	38	110360	8	1	3450	304	28	111275	62	5	3450	515	44
108262	81	1-1/2	1750	1065	54	110022	8,61	3/4	1725	462	29	110361	9	1-1/2	3450	430	29	111304	71	1	1725	589	30
108265	81	1-1/2	2500	1032	43	110023	8,61	1	1725	524	29	110362	9	2	3450	594	38	111309	10	1-1/2	1725	451	33
108266	81	2	2500	1617	51	110025	55	1/2	1725	396	26	110363	9	2	3450	570	37	111310	11	2	1725	520	36
108322	86	1	1800	783	39	110026	55	3/4	1725	475	28	110381	22	1/2	1140	614	32	111311	56	1	1725	443	27
108369	84	3/4	1800	637	34	110027	10	1/2	1140	438	22	110382	22	3/4	1140	684	46	111321	57,69	1/2	1075	497	37
108370	84	1	1800	788	48	110028	10	3/4	1140	473	17	110384	22	1	3450	325	28	111322	57,69	3/4	1075	587	44
108371	84	1-1/2	1800	1040	52	110029	10	1	1725	353	22	110387	22	1-1/2	3450	449	28	111323	57,69	1/2	1625	385	30
108372	84	1	3000	637	45	110034	10	3/															

LEESON CATALOG NUMBER INDEX • Motors, Sub-FHP Gearmotors, Drives, and Accessories

Catalog Number	Page	HP	RPM	List Price \$	Wgt. (lbs.)	Catalog Number	Page	HP	RPM	List Price \$	Wgt. (lbs.)	Catalog Number	Page	HP	RPM	List Price \$	Wgt. (lbs.)	Catalog Number	Page	HP	RPM	List Price \$	Wgt. (lbs.)
111936	41	3/4	3450	\$738	27	113584	30	1-1/2	3450	\$706	36	113958	48	1-1/2	3450	\$488	34	114617	8	1/4	1140	\$426	30
111937	41	3/4	3450	687	37	113586	31	1/2	1725	510	23	113959	48	2	3450	576	43	114618	10	1/2	850	696	31
111938	41	1/2	1140	874	44	113587	31	3/4	1725	591	30	113969	19,55	1/3	1725	428	30	114620	69	1/2	825	510	35
111939	41	1-1/2	3450	878	48	113588	31	1/2	3450	455	26	113970	19,55	1/3	1725	428	30	114624	18,26	3/4	1725	468	25
111940	41	1/3	1140	825	39	113589	31	3/4	3450	500	24	113971	41	2	3450	982	50	114625	42	1/3	3450	693	33
111941	41	1-1/2	1725	896	46	113590	31	1	3450	585	34	114102	72	1/2	1725	413	33	114626	42	1/3	1725	750	38
111942	41	1	3450	726	34	113591	31	1-1/2	3450	646	44	114142	26	1/2	3450	314	21	114627	42	1/2	3450	723	35
111943	41	1	3450	772	30	113592	31	2	3450	717	48	114146	45	1	1725	1028	37	114628	42	1/2	1725	784	35
111944	41	1/3	3450	686	36	113593	31	2	3450	712	47	114147	45	3/4	1725	887	34	114629	42	3/4	3450	747	33
111949	58,70	1-1/2	3450	492	32	113608	55	2	1725	604	45	114148	45	3/4	1140	1097	43	114630	42	3/4	1725	799	42
111950	44	1/2	1725	791	32	113627	63	1-1/2	3450	673	39	114149	45	1/2	1140	1044	33	114631	42	1	3450	781	34
111951	44	1	1725	1102	38	113630	8,61	1	1725	507	31	114150	45	1/2	1725	757	33	114632	42	1	1725	848	47
111953	57	1/2	1725	446	33	113631	9,61	1-1/2	3450	443	36	114151	45	1/3	1725	695	28	114633	42	1-1/2	3450	886	42
111954	57	3/4	1725	647	38	113632	9,61	2	3450	598	38	114152	45	1/2	1140	1129	34	114634	42	1-1/2	1725	907	45
111955	57	1	1725	763	41	113633	55	2	3450	597	38	114154	45	1/2	1725	785	34	114635	42	2	3450	877	51
111956	57	1/2	1725	673	32	113634	24	1-1/2	1140	573	39	114155	45	3/4	1725	918	46	114636	42	3	3450	1100	62
111957	57	1/2	1725	673	32	113637	48	1/2	3450	318	23	114156	44	1/2	1725	731	28	114637	30	2	3450	814	43
111958	57	3/4	1725	709	36	113638	48	3/4	3450	340	26	114157	44	1/4	1725	853	38	114638	18,24	1	1725	638	34
111959	57	3/4	1725	709	36	113639	48	1	3450	401	30	114158	45	1/3	1725	709	26	114888	75	1	1425	479	28
111960	57	1	1725	763	40	113640	48	1-1/2	3450	476	34	114159	45	1/2	1725	773	26	114889	75	1/3	1425	405	18
111961	57	1	1725	763	40	113641	48	2	3450	564	41	114160	45	3/4	1725	906	34	114891	75	1/2	1425	449	20
111962	57	1-1/2	1725	925	40	113642	60	3/4	1625	487	33	114161	45	1	1725	1046	31	114892	75	1/2	950	497	28
111963	57	1-1/2	1725	925	40	113643	57	1/2	1725	446	33	114162	44	1/2	1725	713	28	114893	75	3/4	2850	403	24
112135	23	3/4	1725	345	26	113649	31	1/4	1725	454	19	114163	44	3/4	1725	832	29	114894	75	3/4	1425	480	27
112136	22	2	1725	763	41	113672	57	3/4	1725	647	39	114164	44	1	1725	905	32	114895	75	1	2850	486	26
112378	24	3/4	1140	512	29	113674	19,55	1/3	1725	466	30	114165	44	1/3	1725	731	28	114896	75	1	1425	500	28
112379	24	1	1140	502	32	113686	50	1-1/2	3450	418	30	114166	44	1	1725	922	40	114930	10	1-1/2	1140	563	48
112427	31	1/2	1725	488	24	113687	50	1-1/2	3450	429	30	114167	44	3/4	1725	1040	38	114931	49	1/2	3450	292	21
112428	31	3/4	1725	510	27	113700	23,61	1-1/2	1725	624	38	114176	24	1/2	3450	309	19	114932	60	3/4	1725	523	30
112429	31	1/2	1725	510	22	113765	19	1/3	1725	392	27	114192	56	1	3450	362	24	114933	60	1	1725	571	30
112430	31	3/4	1725	591	26	113766	19	1/2	1725	436	30	114194	56	1-1/2	3450	440	31	114934	18,24	3/4	1725	364	29
112431	30	1/2	1725	475	24	113767	19	3/4	1725	514	35	114196	56	2	3450	510	36	114995	23,61	2	3450	643	42
112432	30	3/4	1725	558	31	113768	19	1	1725	590	37	114197	56	2	1725	492	37	115024	23,61	1-1/2	1725	541	35
112483	31	1/2	1725	510	28	113769	19	1-1/2	1725	670	43	114198	26	1-1/2	1125	594	41	115048	23,61	3	3450	704	53
112484	31	3/4	1725	591	24	113770	19	2	1725	922	49	114201	49	3	3450	595	35	115553	25	2	1725	451	32
112520	31	1/4	1725	457	24	113771	19,55	1/3	1725	466	30	114202	49	2	3450	504	35	115633	37	1/2	1750	1035	35
112521	31	1/3	1725	473	22	113846	56	1-1/2	1725	470	29	114203	49	1-1/2	3450	422	33	115634	37	3/4	1750	1074	41
112522	31	1	1725	616	30	113847	56	2	1725	539	34	114204	49	3	3450	547	52	115635	37	1	1750	1099	44
112523	31	1/4	1725	457	21	113890	25	3	1725	588	43	114205	49	2	3450	505	40	115743	31	1/2	1140	638	24
112524	31	1	1725	616	27	113891	49	1-1/2	3450	413	28	114206	49	1-1/2	3450	398	31	115744	31	3/4	1140	693	25
112526	30	1/3	1725	475	28	113892	49	2	3450	489	33	114207	49	1	3450	383	25	115745	31	1	1140	742	35
112527	30	1/2	1725	491	28	113893	49	3	3450	579	36	114208	49	3/4	3450	322	22	115746	31	1-1/2	1140	784	31
112528	30	3/4	1725	557	30	113894	25	2	3450	463	31	114213	18,24	3/4	1725	459	27	115751	31,72	3	1740	736	45
112529	30	1	1725	641	33	113895	56	1	3450	418	25	114214	23,61	1-1/2	3450	472	35	115778	58	1	1140	544	37
112547	31	1/3	1725	502	22	113896	56	1-1/2	3450	474	29	114215	23,61	2	3450	599	35	115779	58	1-1/2	1140	592	39
112615	72	1	1725	608	35	113897	56	2	3450	549	39	114216	63	1	3450	430	27	115825	10	1-1/2	1725	361	34
112626	30	1	1725	639	33	113901	74	1/2	2850	304	25	114218	26	2	3450	520	34	115826	11	2	1725	388	33
112627	31	1	1725	536	26	113902	74	3/4	2850	380	27	114222	74	1/3	2850	265	24	115827	10	1	1725	338	24
112643	31	1-1/2	1725	643	32	113903	74	1	2850	422	31	114223	74	1/3	1425	347	24	115828	11	2	1725	404	37
112644	31	2	1725	737	36	113904	74	1-1/2	2850	542	37	114224	74	1/2	2850	309	26	115829	10	1-1/2	1725	381	37
112991	71	2	3450	610	33	113905	74	2	2850	664	42	114225	74	1/2	1425	433	27	115830	10	1	1725	377	31
113019	31	3/4	1725	576	28	113906	72	1	1425	664	39	114226	74	3/4	2850	377	28	115877	23,61	1	1725	398	28
113020	31	1	1725	600	32	113907	72	1-1/2	1425	1110	48	114227	74	3/4	1425	517	31	115878	23,61	2	3450	675	43
113021	31	1-1/2	1725	626	44	113908	74			400	26	114228	74	1	2850	428	31	115879	23,61	1	1725	530	32
113022	31	3/4	3450	503	23	113909	74			454	29	114229	74	1	1425	570	35	115976	31	3	3450	869	39
113023	31	1	3450	587	35	113910	74			539	32	114231	74	1-1/2	1425	640	42	116106	26	2	1725	473	36
113024	31	1-1/2	3450	622	42	113911	74			625	34	114233	74	2	1440	780	49	116107	26	3	1740	599	45
113025	11	2	1725	426	32	113912	74			351	25	114304	75	1/2	1425	445	25	116128	10,16	1	3450	421	24
113026	11	2	1725	435	35	113913	74			390	28	114306	75	3/4	2850	403	24	116129	10,16	1	3450	491	24
113027	55	1	1725	450	30	113914	7																

LEESON CATALOG NUMBER INDEX • Motors, Sub-FHP Gearmotors, Drives, and Accessories

Catalog Number	Page	HP	RPM	List Price \$	Wgt. (lbs.)	Catalog Number	Page	HP	RPM	List Price \$	Wgt. (lbs.)	Catalog Number	Page	HP	RPM	List Price \$	Wgt. (lbs.)	Catalog Number	Page	HP	RPM	List Price \$	Wgt. (lbs.)
116344	37	1/2	3450	\$1071	38	116752	10,16	1	1725	\$480	36	120171	66	2	3450	\$507	44	121272	75	1	1425	\$500	31
116345	37	1/2	1750	1099	38	116753	10,16	1-1/2	3450	469	36	120172	24	1	1725	362	26	121273	75	1	950	575	39
116346	37	3/4	1750	1160	42	116754	10,16	1-1/2	1725	501	35	120176	66	1	1740	402	32	121274	75	1-1/2	2850	516	33
116347	37	1	3450	1215	49	116755	11,16	2	3450	553	43	120177	66	1-1/2	1740	436	31	121275	75	1-1/2	1440	524	37
116348	37	1	1750	1207	49	116756	11,16	2	1725	568	37	120178	66	2	1740	464	45	121276	75	2	2850	517	41
116349	37	1/3	1750	1060	35	116757	10,16	1	1725	547	32	120274	23	2	1725	851	49	121277	75	2	1440	563	40
116350	37	1/2	1750	1079	38	116758	10,16	1-1/2	3450	558	33	120331	45	1-1/2	1725	1173	40	121350	33	1-1/2	1725	744	40
116351	37	3/4	1750	1137	42	116759	10,16	1-1/2	1725	558	34	120332	45	2	1725	1204	51	121351	33	2	1725	846	51
116352	37	1	1750	1177	49	116760	11,16	2	3450	610	44	120341	9,63	3	3450	693	46	121405	25	3	1725	520	45
116388	26	3	1740	599	46	116761	11,16	2	1725	590	45	120372	44	1-1/2	1725	1073	43	121419	37	1	1750	1099	44
116448	37	1-1/2	1750	1102	49	116762	18,26	3/4	1725	373	30	120373	44	2	1725	1209	47	121465	23,61	3	3450	851	44
116449	37	2	1750	1336	49	116763	18,26	1	1725	533	33	120374	58,70	1-1/2	3450	528	32	121507	9	2	1725	842	48
116450	37	1-1/2	1750	1155	49	116764	18,26	1-1/2	1725	553	37	120375	58,70	2	3450	644	41	121514	10,16	1-1/2	3450	469	36
116451	37	2	1750	1366	50	116765	18,26	2	1725	624	42	120376	58,70	3	3450	677	45	121515	10,16	2	3450	553	43
116462	32,45	1/3	1725	969	39	116766	44	1-1/2	1725	1073	43	120377	58,70	1-1/2	3450	409	31	121516	10,16	3	3450	559	45
116463	32,45	1/2	1725	993	41	116767	45	1-1/2	1725	1154	44	120378	58,70	2	3450	484	34	121517	10,16	1	1140	559	41
116464	32,45	3/4	1725	1181	43	116768	45	1-1/2	1725	1173	40	120379	58,70	3	3450	544	38	121518	10,16	1-1/2	3450	558	33
116465	32,45	1	1725	1223	45	116769	23	1	3450	345	28	120395	9,61,63	2	3450	676	44	121519	11,16	2	3450	610	44
116466	32,45	1/3	1725	1004	40	116770	23	1-1/2	3450	464	35	120423	66	3	3450	581	50	121520	10,16	1	1140	646	47
116467	32,45	1/2	1725	1023	42	116771	23	2	3450	590	35	120485	26	3/4	1140	515	34	121523	37	1	1750	1080	44
116468	32,45	3/4	1725	1214	44	116772	58	1/2	1140	476	25	120554	62	5	3450	522	46	121525	37	1-1/2	1750	1102	49
116469	32,45	1	1725	1254	48	116773	58	3/4	1140	516	31	120589	30	1	1740	639	34	121527	37	2	1750	1336	54
116482	37	1-1/2	3450	1273	49	116774	32,49	3/4	3450	505	23	120590	30	1-1/2	1740	814	47	121556	45	1	1725	1046	37
116483	37,45	1/2	1725	3784	59	116775	32,49	1	3450	587	35	120728	63	3	3450	843	52	121560	37	1-1/2	3450	1081	45
116484	37,45	1	1725	3988	69	116776	32,49	1-1/2	3450	624	42	120760	31	1	1725	600	35	121561	37	2	3450	1327	48
116485	68,61	1/3	1725	455	29	116777	32,49	2	3450	715	47	120761	31	1-1/2	1725	626	47	121562	37	3	3450	1596	49
116486	68,61	1/2	1725	522	23	116778	32,49	3	3450	750	49	120762	31	2	1725	730	39	121569	68	1	1725	529	30
116487	68,61	3/4	1725	608	30	116779	32,49	3/4	3450	518	24	120824	22,63	3	3450	749	56	121579	32,54	1	1725	823	37
116488	68	1	1725	691	34	116780	32,49	1	3450	602	36	120855	68	2	1725	985	45	121580	32,54	1-1/2	3450	888	46
116489	68	1-1/2	1725	777	44	116781	32,49	1-1/2	3450	653	43	120867	9,61	2	1725	851	48	121581	32,54	1-1/2	1725	911	53
116523	62	5SPL	3450	500	35	116782	32,49	2	3450	727	48	120879	9,61	2	1725	663	51	121582	32,54	2	3450	1003	47
116591	10	1-1/2	1140	563	45	116783	32,49	3	3450	774	50	120921	10,16	1	1725	547	32	121583	32,54	2	1725	940	49
116592	26	1-1/2	1140	594	44	116784	26	1	3450	355	23	120922	10,16	1-1/2	1725	567	34	121584	32,54	3	3450	1077	45
116593	56	3	1725	591	47	116785	26	1-1/2	3450	420	28	120923	11,16	2	1725	590	45	121613	32,45	1	1725	1223	46
116594	11	3	1740	477	45	116789	62	5	3450	530	45	120925	63	1-1/2	3450	602	44	121614	32,45	1-1/2	1725	1694	49
116595	11	3	1740	462	44	116922	23	1	3450	469	26	120940	65	2	1725	838	36	121615	32,45	2	1725	1743	61
116599	55	1	1725	468	29	118007	84	1-1/2	1800	1549	64	120941	65	1-1/2	1725	719	36	121616	32,45	1	1725	1254	49
116600	55	1-1/2	1725	567	38	118008	84	2	1800	1858	84	120942	65	1	1725/850	984	37	121622	37	1-1/2	1750	1254	53
116601	55	2	1725	604	45	118009	84	2	3000	1549	72	120943	65	1	1725	984	36	121623	37	2	3450	1391	57
116605	40	1/3	3450	612	39	118010	84	3	3000	1858	82	120944	65	1	1725	691	36	121624	37	1-1/2	1750	1196	53
116606	40	1/3	1725	640	42	118014	84	3	1800	2593	90	120945	65	1	1725	691	36	121625	68	2	1725	992	46
116607	40	1/3	1140	732	45	118015	82	1/3	1750	1867	27	120946	65	2	1725	838	35	121626	37	1	1750	1124	53
116608	40	1/2	3450	618	36	118016	82	1/2	1750	2109	30	120947	65	1-1/2	1725	720	36	121627	37	1-1/2	3450	1125	46
116609	40	1/2	1725	709	46	118017	82	1/2	1750	2109	32	120987	31	3	3450	869	39	121628	37	1-1/2	1750	1147	49
116610	40	1/2	1725	795	56	118018	82	3/4	1750	2611	40	120990	74	2	1725	720	47	121629	37	2	3450	1336	52
116611	40	3/4	3450	661	41	118019	82	3/4	1750	2611	36	120992	23	2	1725	565	45	121630	37	2	1750	1351	50
116612	40	3/4	1725	785	51	120000	8	1	1725	472	32	120993	25	3	3450	542	38	121631	37	3	3450	1607	53
116613	40	1	3450	709	50	120001	9	1-1/2	1725	631	40	120994	53	1-1/2	1740	597	45	121632	37	2	1750	1447	57
116614	40	1	1725	864	54	120003	8,62	1	1725	473	33	120995	53	2	1740	599	45	121633	37	2	1750	1376	57
116615	40	1-1/2	3450	1007	45	120004	9,61,62	1-1/2	1725	631	40	120996	53	1	1740	593	42	121652	31	1	1725	600	35
116616	40	2	3450	1233	58	120008	8,61	1	1725	524	31	120997	63	2	3450	661	44	121655	31	1-1/2	1725	626	47
116630	26	2	1725	467	32	120009	9,61	1-1/2	1725	592	42	120998	63	4	3450	880	48	121659	37	1	1750	1080	46
116631	26	3	1740	541	38	120017	22	1-1/2	1725	649	40	121001	22	1	1725	574	32	121664	25	5	3450	497	45
116640	31	1/3	3450	469	19	120019	66	2	1740	404	45	121002	22	1	1725	469	31	121665	56	5	3490	609	49
116641	31</																						

LEESON CATALOG NUMBER INDEX • Motors, Sub-FHP Geomotors, Drives, and Accessories

Catalog Number	Page	HP	RPM	List Price \$	Wgt. (lbs.)	Catalog Number	Page	HP	RPM	List Price \$	Wgt. (lbs.)	Catalog Number	Page	HP	RPM	List Price \$	Wgt. (lbs.)	Catalog Number	Page	HP	RPM	List Price \$	Wgt. (lbs.)
131463	11,16	3	1740	\$668	80	131597	31	5	1740	\$1083	72	140209	68	7-1/2	1740	\$1652	141	150121	66	50	1750	\$4057	594
131464	11,16	5	1740	733	94	131599	74		1075	70	72	140223	68	5	1740	1434	150	150196	66	7-1/2	3500	837	158
131465	66	3	1740	469	82	131600	74		1049	71	70	140311	9,62	10	1740	1620	140	150197	66	10	3500	975	172
131466	66	5	1740	541	63	131601	74		1494	98	98	140414	68	10	1740	1796	156	150198	66	15	3500	1364	270
131467	66	7-1/2	1740	692	106	131602	68	5	1740	1640	104	140443	65	7	1740	1631	154	150199	66	20	3500	1824	328
131468	65	3	1725	898	78	131603	68	3	1740	1337	104	140444	65	10	1740	1903	166	150212	66	10	1750	968	186
131469	65	5	1740	1146	94	131604	53	3	1760	832	73	140445	65	5	1725	1869	145	150224	66	25	3500	2187	402
131470	65	3	1725	1429	80	131605	53	5	1760	1182	66	140446	65	5	1725/850	1869	137	150228	66	30	3500	2737	442
131471	65	2	1740	1260	68	131606	25	7-1/2	1740	787	66	140447	65	7	1725	1615	155	150232	66	40	3500	3440	554
131472	65	3	1725/850	1429	80	131610	45	3	1740	1668	69	140448	65	10	1725	1903	168	150239	66	60	1750	6175	778
131473	65	2	1740/860	1260	69	131611	45	5	1740	2063	92	140450	11,16	7-1/2	1760	943	144	150244	66	75	1750	7458	850
131474	65	3	1725	898	77	131612	45	7-1/2	1740	2639	149	140451	12,16	10	1760	1140	161	150253	66	100	1750	9281	1175
131475	65	5	1725	1146	107	131616	9	5	3450	822	84	140465	31	10	1750	1561	180	150261	12	15	850	4221	480
131478	10	1	850	969	57	131622	9,61,62	5	1725	933	82	140467	31	7-1/2	1750	1375	139	150263	12	20	850	5074	640
131479	10	1-1/2	850	1150	68	131624	44	3	1740	1521	56	140470	11,16	7-1/2	1760	822	133	150265	12	25	850	5917	700
131480	75	3	2850	693	58	131625	44	5	1740	1888	76	140472	12,16	10	1760	970	144	150282	12	10	850	3572	346
131481	75	5	2850	818	76	131629	23	3	1740	769	70	140475	74		1934	163	163	151345	25	7-1/2	3450	883	158
131489	25	3	1740	474	43	131630	23,61	5	1740	945	77	140483	18,25	7-1/2	1760	864	132	151346	25	7-1/2	1740	851	162
131490	25	5	1725	522	62	131631	23	3	1740	1175	84	140484	18,25	10	1760	1147	160	151347	25	10	3450	1041	172
131491	25	3	1740	535	52	131632	23,61	5	1740	1182	103	140485	18,25	10	1760	977	144	151348	25	10	1750	1004	185
131492	25	5	1725	612	64	131633	23,61	7-1/2	3450	1231	86	140486	18,25	7-1/2	1760	950	144	151349	25	15	3450	1464	200
131498	66	3	1740	535	68	131636	9	3	3450	691	74	140516	11	2	850	1458	107	151350	25	15	1760	1425	284
131499	66	5	1740	645	76	131637	9	3	3450	747	78	140518	11	3	850	1595	114	151351	25	20	3500	1882	270
131500	66	5	1740	459	62	131638	74		1000	98	98	140521	18,27	7-1/2	1760	956	144	151352	25	20	1760	1797	270
131501	18,25	5	1760	818	90	131640	53	3	3450	724	80	140522	18,27	10	1760	1154	160	151355	11	5	850	2522	188
131502	18,25	5	1760	836	99	131641	53	5	3450	1028	95	140535	25	5	1140	1113	120	151356	11	7-1/2	850	2782	300
131503	18,25	3	1760	756	72	131642	25	3	1140	822	89	140580	25	7-1/2	1760	755	115	151361	53	15	1740	1353	254
131504	18,26	3	1760	772	75	131739	25	7-1/2	1740	737	108	140581	9	10	1740	1547	202	151362	53	20	1740	1589	312
131505	75	3	2850	706	59	131777	22	5	3450	905	70	140593	66	7-1/2	1750	751	144	151380	53	15	3450	1184	178
131506	75	3	1440	656	63	131778	22	5	3450	1177	81	140618	52	7-1/2	1760	878	140	151381	53	20	3450	1366	276
131507	75	5	2850	836	75	131779	25	5	3450	507	84	140619	52	10	1760	1004	181	151382	53	25	3450	1610	318
131508	75	5	1440	748	82	131780	25	7-1/2	3450	669	73	140622	54	7-1/2	1760	890	117	151417	54	25	3450	2281	307
131509	9	2	1725	724	65	131781	23	5	3450	909	70	140623	54	10	1760	1099	136	151418	54	25	1740	2242	370
131510	25	7-1/2	3450	799	89	131847	70	5	3450	1007	91	140637	45	10	1760	3352	136	151420	54	30	3450	2705	375
131513	25	3	3450	595	55	131848	70	7-1/2	3450	1119	95	140640	70	10	3450	1421	159	151422	54	30	1740	2662	428
131514	25	5	3450	667	68	131849	70	5	3450	815	70	140641	70	10	3450	1150	95	151424	54	40	3450	3373	400
131515	9,62	2	1725	600	56	131850	70	7-1/2	3450	953	85	140642	53	7-1/2	3450	1463	140	151426	54	40	1740	3265	258
131516	22	2	1725	996	64	131851	9,61	3	1725	768	72	140644	53	10	3450	1648	144	151507	25	25	1760	2263	390
131517	18,25	5	1760	780	96	131853	23,54	3	1740	768	87	140646	52	7-1/2	3450	1221	140	151508	25	30	1760	2721	411
131518	18,25	3	1760	664	75	131855	9,61	3	1725	922	88	140647	52	10	3450	1648	157	151509	25	40	1770	3481	548
131519	11,16	3	1740	582	75	131856	9,61	5	1725	1072	95	140655	52	10	3450	827	136	151510	25	50	1770	4016	594
131520	11,16	5	1740	655	86	131857	23,61	5	3450	1175	104	140656	52	15	3450	1023	117	151516	13	250	1770	20258	2425
131525	25	2	1140	653	59	131881	52	5	3450	1028	92	140665	53	7-1/2	1760	1559	141	151518	13	350	1780	16344	2041
131526	9	1-1/2	1140	1332	69	131882	52	3	1725	465	52	140666	53	10	1760	1929	144	151519	25	60	1770	6035	778
131527	25	7-1/2	1750	737	88	131883	52	5	1725	534	64	140667	52	7-1/2	1760	878	96	151524	13	250	1785	12909	1940
131528	25	7-1/2	1750	787	102	131884	52	5	3450	537	55	140668	52	10	1760	1004	125	151525	13	300	1785	14809	1962
131529	66	2	1140	655	89	131885	52	7-1/2	3450	644	78	140678	23	10	1602	152	152	151529	13	300	1785	22784	2558
131530	9	3	1725	769	69	131912	25	7-1/2	3450	830	91	140680	9,62	7-1/2	3450	1270	112	151530	13	350	1790	23741	2710
131533	9	3	1725	854	83	131923	37	3	1750	1608	82	140681	9,62	10	3450	1605	135	151567	54	15	3450	1688	245
131534	9,62	3	1725	650	69	131924	37	5	1750	1835	94	140684	9	7-1/2	3450	1328	120	151568	54	15	1760	1642	277
131535	9	2	1725	639	63	131949	37	5	3450	1823	90	140685	9	10	3450	1629	138	151569	54	20	3450	1842	285
131536	9,62	2	1725	643	63	131967	32,54	3	1760	1196	79	140688	25	10	3450	908	85	151570	54	20	1760	1992	321
131537	9,62	5	1725	780	83	131968	32,54	5	3450	1427	78	140689	25	15	3450	1234	100	151682	25	15	1760	1361	265
131538	9	5	1725	1039	95	131969	32,54	5	1760	1295	81	140690	25	10	3450	984	105	151683	25	20	3500	1615	258
131539	22	5	1740	942	81	131970	32,54	7-1/2	3450	1564	110	140691	25	15	3450	1388	145	151684	25	20	1760	1664	307
131540	22	5	1740	1222	104	131971	10,16	1-1/2	1170	658	82	140694	23	10	3450	1387	120	151685	25	25	3525	1879	292
131541	68	2	1740	896	50	131972	11,16	2	1170	669	88	140695	23	10	1740	1655	138	151686	25	25	1760	2028	388
131542	68	3	1740	939	83	131980	10,16	1-1/2	1170	941	89	140705	71	10	1740	1901	204	151687	25	30	3500	2159	373
131543	68	5	174																				

LEESON CATALOG NUMBER INDEX • Motors, Sub-FHP Gearmotors, Drives, and Accessories

Catalog Number	Page	HP	RPM	List Price	Wgt. (lbs.)	Catalog Number	Page	HP	RPM	List Price	Wgt. (lbs.)	Catalog Number	Page	HP	RPM	List Price	Wgt. (lbs.)	Catalog Number	Page	HP	RPM	List Price	Wgt. (lbs.)
170037	12,16	30	3550	\$3263	385	171635	67	5	1180	\$1324	186	174193	112			\$328	2	174461	114	1-1/2		\$753	3
170038	12,16	40	3550	3182	441	171636	67	7-1/2	1170	1725	263	174194	119			165	2	174462	114	2		830	4
170039	12,16	40	3550	4070	504	171637	67	10	1170	2467	312	174263	115	1/3		374	2	174463	114	3		928	4
170040	13,16	50	3550	3881	548	171638	67	15	1170	3339	346	174264	115	1/2		406	2	174464	114	1		737	3
170041	13,16	50	3550	4943	554	171639	67	20	1170	4174	405	174265	115	1		539	3	174475	111	2		1453	11
170042	13,17	60	3550	4641	590	171640	10	1	1725	586	50	174266	115	1-1/2		611	3	174482	111	1-1/2		1352	8
170043	13,17	60	3570	7331	735	171642	10	1-1/2	3450	597	49	174267	115	1/3		346	2	174491	114	2		882	4
170044	13,17	75	3570	6132	720	171643	10	1	1140	690	58	174268	115	1/2		365	2	174492	114	1		767	4
170045	13,17	75	3570	8980	780	171646	10	1-1/2	1725	605	54	174270	115	1		406	3	174493	114	1-1/2		733	4
170062	12,16	15	3525	1739	282	171647	11	2	1725	631	58	174271	115	1-1/2		489	4	174494	114	2		810	5
170064	12,16	15	3510	1335	175	171648	11	2	3450	652	56	174272	115	2		574	5	174495	114	3		984	5
170065	12,16	15	1770	1368	279	174000	116	1/2		576	2	174273	115	3		675	5	174497	114	3		1048	5
170066	12,16	15	1770	1682	280	174001	116	1		648	3	174274	115	1/2		346	2	174500	114	30		3967	14
170067	12,16	15	1170	2256	414	174002	116	1-1/2		769	4	174276	115	1		384	2	174510	111	50		10044	75
170068	12,16	15	1170	2981	333	174003	116	2		851	5	174277	115	1-1/2		456	3	174511	111	50		8985	75
170087	13,17	100	1780	10770	1070	174004	116	3		1034	5	174278	115	2		521	3	174512	111	40		8603	54
170096	12,16	40	1180	6712	636	174006	116	1		596	3	174279	115	3		577	3	174513	111	40		7742	54
170097	13,16	50	1180	8055	672	174007	116	1-1/2		702	3	174280	115	7-1/2		1016	8	174515	111	1-1/2		1605	11
170098	13,17	60	1190	9501	870	174008	116	2		773	4	174281	115	1/2		463	2	174517	111	1-1/2		2067	11
170099	13,17	75	1190	10015	975	174009	116	3		923	4	174282	115	1		494	3	174519	111	1/4		1411	8
170122	11,16	7-1/2	1170	1540	249	174010	116	5		1187	4	174283	115	1-1/2		537	3	174520	111	1/2		1569	8
170123	12,16	10	1170	2202	300	174011	116	7-1/2		1620	8	174284	115	2		573	4	174521	111	1		1682	11
170140	12,16	10	1760	1242	177	174012	116	10		1936	8	174285	115	7-1/2		977	5	174525	111	2		1769	11
170142	11,16	7-1/2	1760	871	160	174015	116	1/2		671	2	174286	115	3		629	4	174526	111	3		1854	12
170143	12,16	10	3510	995	150	174016	116	1		723	3	174287	115	5		752	5	174527	111	1/2		1443	8
170144	12,16	10	1760	1028	200	174017	116	1-1/2		791	3	174288	115	5		736	5	174528	111	1		1548	8
170145	11,16	7-1/2	1170	1376	291	174018	116	2		872	4	174290	115	10		1034	8	174529	111	1-1/2		1620	8
170146	12,16	10	1170	1714	305	174019	116	3		975	4	174291	115	10		1164	8	174530	111	2		1718	10
170147	12,16	40	1180	4868	892	174020	116	5		1243	5	174292	115	15		1860	14	174531	111	3		1804	11
170148	13,16	50	1180	5569	918	174021	116	7-1/2		1620	8	174293	115	15		1375	8	174532	111	1		1701	8
170149	13	60	1190	6164	1031	174022	116	10		1936	8	174298	87			899	3	174533	111	2		1927	10
170150	13	75	1190	7307	1095	174027	116	1		773	3	174299	87			899	3	174534	111	3		2067	10
170151	13,17	100	3570	6933	775	174028	116	2		927	4	174306	119			203	2	174535	111	5		2360	11
170152	13,17	100	1780	6673	1141	174029	116	3		1100	5	174307	121			346	5	174536	111	1		1848	8
170154	13,17	125	3570	8013	1015	174030	116	5		1346	5	174308	121			472	5	174537	111	2		2063	10
170155	13,17	125	1780	8445	1292	174031	116	7-1/2		1747	8	174311	121			190	1	174538	111	3		2231	10
170157	11,16	7-1/2	1760	1042	155	174032	116	10		2071	8	174314	121			57	1	174539	111	5		2525	11
170158	11,16	7-1/2	3510	1080	147	174102	121			470	6	174316	121			77	1	174545	110	7-1/2		1872	13
170159	12,16	10	3510	1280	181	174103	121			684	7	174400	118			253	2	174548	111	7-1/2		2490	11
170160	13,17	100	3570	11057	955	174107	121			638	7	174401	118			294	3	174549	111	7-1/2		2944	13
170255	13,17	100	1190	8629	1975	174140	112,119			631	1	174402	118			400	4	174551	110	10		2482	15
170256	13,17	100	1190	14257	1457	174141	112			823	1	174403	118			522	5	174552	110	10		2690	13
170259	13	125	1190	11217	2022	174142	112			952	1	174404	118			659	6	174553	110	10		3006	13
170260	13,17	125	1190	16108	1596	174143	112			246	1	174405	118			795	8	174554	111	10		3320	11
170352	13,17	200	1785	18739	2227	174144	112			374	1	174406	118			253	2	174556	111	10		3861	17
170369	13,17	125	1790	14299	1950	174145	112			631	1	174407	118			294	3	174557	110	15		3275	19
170371	13,17	150	1780	16360	1627	174146	112			823	1	174408	118			400	4	174558	110	15		3455	15
171315	13,17	150	1190	18164	2230	174147	112			952	1	174409	118			522	5	174559	110	15		3968	17
171316	13,17	200	1190	23791	2542	174148	112			246	1	174410	118			659	6	174560	110	20		4444	21
171320	11,16	3	1750	750	104	174149	112,119			374	1	174411	118			795	8	174561	110	20		4585	17
171322	11,16	5	1750	778	109	174150	116			199	2	174412	118			294	3	174562	110	20		5040	19
171378	11,16	3	1180	1060	171	174151	118			289	3	174413	118			400	4	174563	110	25		5405	21
171379	11,16	5	1140	1182	176	174152	118			289	3	174414	118			522	5	174564	110	25		5952	21
171449	13,17	150	3570	9886	1085	174153	118			289	3	174415	118			659	6	174565	110	30		5886	21
171522	13,17	150	1780	9972	2000	174154	118			393	4	174416	118			795	8	174566	110	30		6510	22
171523	13,17	200	1790	11500	2037	174155	118			393	4	174417	119			340	10	174567	110	40		6510	35
171573	13,17	200	3570	11204	1765	174156	118			393	4	174418	119			340	10	174569	110	25		5382	38
171574	11,16	3	1180	868	154	174157	118			247	2	174419	119			340	10	174571	110	30		6458	44
171575	11,16	5	1140	1099	188	174158	118			247	2	174422	120			280	3	174572	110	60		9083	67
171576	13,17	150	1190	12034	2040	174159	118			511	5	174429	114	15		2389	13	174573	110	60		10033	51
171577	13,17	200	1190	15819	2820	174160	118			511	5	174430	114	20		2930	14	174574	111	60		10116	98
171578	13	150	3570	16295	1445	174161	118			511	5	174431	114	15		2342	13	174575	111	60		11235	98
171579	13	200	3570	18767	1977	174162	118			646	6	174432	114	20									

LEESON CATALOG NUMBER INDEX • Motors, Sub-FHP Gearmotors, Drives, and Accessories

Catalog Number	Page	HP	RPM	List Price \$	Wgt. (lbs.)	Catalog Number	Page	HP	RPM	List Price \$	Wgt. (lbs.)	Catalog Number	Page	HP	RPM	List Price \$	Wgt. (lbs.)	Catalog Number	Page	HP	RPM	List Price \$	Wgt. (lbs.)
174613	117	2		\$496	3.7	174997	110	1/2		\$988	7	175178	46			\$586	10	175644	17,124			\$1760	2
174614	117	3		624	3.8	174998	111	1/2		1248	8	175179	46			671	10	175645	17,124			1760	2
174615	117	5		744	4.2	174999	111	1		1365	11	175180	123			41	2	175646	123			41	2
174616	117	7-1/2		993	7.3	175000	123			41	2	175181	123			49	2	175647	123			41	2
174617	117	10		1227	7.3	175003	48,122			40	2	175182	81			37	2	175649	124			68	2
174618	117	15		TBA	20	175004	48,53,122			44	2	175191	123			206	25	175655	123			134	12
174619	117	20		TBA	20	175024	122			69	2	175192	122			399	25	175657	122			721	72
174620	117	1/2		473	3	175026	82,124			77	2	175193	87			229	5	175658	122			211	12
174621	117	1		509	3.2	175032	125			59	2	175194	87			243	8	175659	46			510	10
174622	117	1-1/2		550	3.6	175033	125			59	3	175199	123			817	60	175660	46			586	10
174623	117	2		588	3.7	175034	125			69	5	175290	87			416	2	175661	123			41	2
174624	117	3		692	3.7	175035	125			69	6	175291	87			507	4	175662	46			671	10
174625	117	5		783	4.3	175036	125			90	9	175292	87			507	4	175663	122			169	10
174626	117	7-1/2		991	7.3	175037	125			90	9	175294	123			60	5	175664	123			893	115
174627	117	10		1225	7.3	175038	125			111	13	175297	123			41	2	175665	124			76	5
174628	117	15		TBA	20	175039	125			111	15	175298	48,122			40	2	175666	124			49	4
174629	117	20		TBA	20	175040	125			170	17	175302	125			792	95	175667	124			32	3
174630	117	25		TBA	20	175041	125			170	18	175303	123			106	15	175668	124			30	2
174631	117	1		586	3.2	175042	125			185	21	175304	123			106	15	175674	17,124			687	10
174632	117	2		653	3.7	175043	125			185	22	175305	52,53,122,123			79	12	175675	17,124			717	11
174633	117	3		755	3.8	175044	125			245	31	175310	120			386	3	175676	17,124			771	17
174634	117	5		853	4.2	175045	125			245	32	175311	120			489	4	175677	17,124			927	24
174635	117	7-1/2		1065	7.3	175046	125			322	44	175318	120			294	2	175678	17,124			987	28
174636	117	10		1313	7.3	175047	125			322	45	175319	120			350	2	175684	17,124			1068	2
174637	117	15		TBA	20	175048	125			580	60	175320	120			304	3	175685	17,124			1068	2
174638	117	20		TBA	20	175049	125			580	61	175321	120			304	3	175686	17,124			1726	2
174639	117	25		TBA	20	175050	122			247	12	175322	120			377	4	175687	17,124			1726	2
174709	121			904	8	175051	122			331	18	175323	120			373	4	175691	123			60	2
174729	111	3		1539	12	175052	122			580	22	175324	120			96	2	175693	123			113	2
174730	111	5		1906	11	175053	122			604	29	175325	120			23	1	175694	122			199	12
174732	111	5		2512	11	175054	122			902	39	175326	120			686	7	175695	53,122			134	3
174734	111	7-1/2		2644	27	175055	122			984	49	175394	123			134	12	175696	46			1252	12
174735	111	7-1/2		3091	27	175056	122			1114	59	175396	122			211	14	175697	46			1420	12
174737	111	10		3336	32	175058	123			286	42	175454	123			371	57	175698	46			1252	12
174738	111	10		3856	32	175059	123			371	57	175455	122			828	57	175699	46			1420	12
174740	111	15		4022	40	175060	123			621	75	175558	17			2603	55	175710	46			246	30
174741	111	15		4712	40	175061	123			286	42	175563	47			503	13	175711	46			349	40
174743	111	20		5164	42	175062	123			371	57	175564	47			503	13	175720	121			987	8
174745	111	7-1/2		3200	11	175063	123			621	49	175565	47			503	13	175721	121			635	2
174747	111	10		3964	11	175066	123			134	15	175566	32,47			886	13	175722	121			110	2
174749	111	15		4137	32	175067	123			206	25	175567	32,47			886	13	175755	124			77	2
174750	111	15		4743	32	175068	123			134	15	175568	32,47			886	13	175762	46			510	10
174752	111	20		5305	36	175069	123			198	25	175569	47			577	14	175763	46			586	10
174753	111	20		5854	36	175075	123			49	2	175570	47			577	14	175764	46			671	10
174755	111	25		6124	42	175076	123			49	2	175571	47			577	14	175765	46			510	10
174757	111	30		6693	53	175077	123			49	2	175572	32,47			954	14	175766	46			586	10
174759	111	7-1/2		3413	13	175080	81			29	2	175573	32,47			954	14	175767	46			671	10
174761	111	10		4381	17	175082	81			37	2	175574	32,47			954	14	175771	46			984	24
174763	111	15		4664	38	175088	125			717	68	175575	47			605	15	175772	46			1039	36
174764	111	15		5262	38	175089	125			717	73	175576	47			605	15	175773	46			1094	43
174766	111	20		5678	40	175090	125			792	92	175577	47			605	15	175842	123			126	12
174767	111	20		6362	40	175091	125			60	2	175578	47			1009	15	175843	122			211	14
174769	111	25		6771	42	175092	125			87	3	175579	47			1009	15	175844	123			113	15
174914	110	1/2		867	6	175093	125			101	5	175580	47			1009	15	175845	122			113	19
174915	110	1		911	6	175094	125			143	8	175581	47			691	16	175846	53,122			79	12
174916	110	1-1/2		954	6	175095	125			190	10	175582	47			1174	16	175847	124			84	11
174917	110	2		1020	9	175097	125			241	13	175583	47			2459	58	175849	53,122			79	12
174918	110	3		1097	9	175098	125			322	22	175584	47			3179	58	175850	78			52	1
174919	110	5		1296	11	175101	122			201	13	175585	47			2572	58	175851	79			48	1
174920	110	1		1093	6	175106	85			62	2	175586	47			3242	58	175852	78			62	1
174921	110	2		1199	7	175107	85			62	1	175587	47			2823	60	175853	79			52	1
174922	110	3		1296	9	175108	85			62	3	175588	47			3361	60	175854	78			67	1
174923	110	5		1457	9	175109	85			62	1	175589	47			3125	62	175855	79			60	1
174924	110	7-1/2		1981	11	175114	122			311	14	175590	47			3754	62	175856	78			70	2
174925	110	1		1211	6	175115	122			311	14	175593	89			138	2	175857	79			65	1
174926	110	2		1339	7	175116	122			399	25	175594	89			166	3	175869	123			134	14
174927	110	3		1480	9	175118	122			477	42	175595	89			260	5	175871	122			175	1
174928	110	5		1613	9	175119	122			477	42	175596	89			105	1	175872	122			98	1
174929	110	7-1/2		1972	11	175120	122			611	57	175597	89			105	1	175873	122			25	

LEESON CATALOG NUMBER INDEX • Motors, Sub-FHP Gearmotors, Drives, and Accessories

Catalog Number	Page	HP	RPM	List Price \$	Wgt. (lbs.)	Catalog Number	Page	HP	RPM	List Price \$	Wgt. (lbs.)	Catalog Number	Page	HP	RPM	List Price \$	Wgt. (lbs.)	Catalog Number	Page	HP	RPM	List Price \$	Wgt. (lbs.)
175894	122			\$591	5	191912	59	1/2	1075	\$270	29	193092	77	4	1180	\$950	154	193280	80	50	3550	\$5096	546
175895	17,124			687	4	192010	77	1/4	3425	190	10	193094	78	4	3495	658	71	193281	80	50	1775	5804	632
175896	17,124			717	5	192011	77	1/4	1700	198	11	193095	78	4	1740	667	84	801028	53	25	1740	1995	303
175897	17,124			1249	2	192012	77	1/4	1100	337	12	193096	78	4	1180	1072	154	801029	53	30	1740	2093	350
175898	17,124			1249	2	192014	78	1/4	3430	218	10	193097	79	4	3510	658	71	801030	53	40	1740	2734	386
175900	77,80			44	2	192015	78	1/4	1700	225	11	193098	79	4	1750	667	84	801040	53	30	3450	2018	325
175901	77,80			50	2	192016	78	1/4	1120	386	12	193099	79	4	1180	1072	154	801041	53	40	3450	2316	337
175902	77,80			57	2	192017	79	1/4	3425	214	10	193100	77	5	3510	740	104	801042	53	50	3450	3148	433
175903	77,80			60	2	192018	79	1/4	1700	222	11	193101	77	5	1750	714	104	801051	52	15	1760	1241	155
175932	52,53,123			24	2	192019	79	1/4	1100	386	12	193102	77	5	1180	1098	176	801052	52	20	1760	1499	210
175933	52,53,123			28	3	192020	77	1/3	3425	218	11	193104	78	5	3520	829	104	801053	52	25	1760	2016	306
175955	122			721	72	192021	77	1/3	1700	231	13	193105	78	5	1740	803	104	801054	52	30	1760	2093	320
175956	122			1002	90	192022	77	1/3	1100	361	17	193106	78	5	1180	1221	176	801055	52	40	1760	2663	491
175957	122			1002	90	192024	78	1/3	3430	252	11	193107	79	5-1/2	3510	829	104	801056	52	20	3500	1289	159
175958	123			988	112	192025	78	1/3	1700	260	13	193108	79	5-1/2	1750	803	104	801057	52	25	3525	1519	166
175959	122			311	14	192026	78	1/3	1130	416	17	193109	79	5-1/2	1180	1221	176	801058	52	30	3525	2024	315
175960	17,124			862	2	192027	79	1/3	3425	250	11	193110	77	7-1/2	3510	928	152	801059	52	40	3550	2316	360
175961	122			52	3	192028	79	1/3	1700	253	13	193111	77	7-1/2	1760	928	150	801060	52	50	3550	2963	450
175962	53,122			79	4	192029	79	1/3	1100	416	17	193112	77	7-1/2	1180	1320	180	810001	21	20	1170	7979	450
175963	53,122			101	7	192030	77	1/2	3425	237	13	193114	78	7-1/2	3525	1047	152	810003	21	25	1180	9386	620
175969	123			41	2	192031	77	1/2	1700	241	14	193115	78	7-1/2	1765	1047	150	810005	21	30	1180	10329	700
175984	78			100	13	192032	77	1/2	1100	377	19	193116	78	7-1/2	1175	1444	180	810007	21	20	1765	4296	425
175985	79			91	8	192034	78	1/2	3410	259	13	193117	79	7-1/2	3510	1047	152	810011	21	25	1770	5355	438
175986	78			107	16	192035	78	1/2	1695	268	14	193118	79	7-1/2	1760	1047	150	810015	21	30	1780	5897	520
175987	79			100	8	192036	78	1/2	1130	431	19	193119	79	7-1/2	1180	1444	180	810019	21	40	1775	7458	620
175988	78			142	20	192037	79	1/2	3425	254	13	193120	77	10	3510	994	163	810023	21	50	1780	8798	640
175989	79			134	12	192038	79	1/2	1700	264	14	193121	77	10	1760	1101	174	810027	21	60	1780	11332	975
175990	78			268	36	192039	79	1/2	1100	431	19	193122	77	10	1180	1712	251	810031	21	75	1780	13576	1050
175991	79			259	25	192040	77	3/4	3425	247	15	193124	78	10	3510	1118	163	810066	21	15	1765	3152	320
175994	78			434	58	192041	77	3/4	1700	261	18	193125	78	10	1760	1225	174	810068	21	15	1170	6659	440
175995	79			555	73	192042	77	3/4	1100	404	22	193126	78	10	1175	1945	251	810087	21	100	1780	16541	1400
191200	35	1/3	3450	464	29	192044	78	3/4	3400	274	15	193127	79	10	3510	1118	163	810096	21	40	1185	12455	975
191201	35	1/3	1750	519	30	192045	78	3/4	1690	291	18	193128	79	10	1760	1225	174	810097	21	50	1185	14932	1029
191202	35	1/3	1750	516	30	192046	78	3/4	1130	458	22	193129	79	10	1180	1945	251	810098	21	60	1185	16566	1322
191203	35	1/2	3450	474	32	192047	79	3/4	3425	268	15	193130	77	15	3550	1608	260	810099	21	75	1185	20184	1350
191204	35	1/2	1750	535	33	192048	79	3/4	1700	287	18	193131	77	15	1760	1608	264	810140	21	10	1760	2630	290
191205	35	1/2	1750	528	33	192049	79	3/4	1100	458	22	193132	77	15	1180	2197	330	810157	21	7-1/2	1760	2226	180
191206	35	3/4	3450	521	33	192050	77	1	3425	281	21	193134	78	15	3555	1844	260	810503	21	200	1785	28015	2450
191207	35	3/4	1750	616	38	192051	77	1	1700	286	26	193135	78	15	1765	1844	264	810546	21	2	1750	1250	70
191208	35	3/4	1750	614	38	192052	77	1	1100	421	33	193136	78	15	1175	2432	330	810547	21	1-1/2	1725	1197	68
191209	35	1	3450	612	41	192054	78	1	3390	302	21	193137	79	15	3550	1844	260	810548	21	1	1725	1087	61
191211	35	1	1750	643	47	192055	78	1	1725	315	26	193138	79	15	1760	1844	264	811320	21	3	1750	1493	110
191213	35	1	1750	641	47	192056	78	1	1150	482	35	193139	79	15	1180	2432	330	811322	21	5	1750	1655	118
191214	35	1	1750	660	47	192057	79	1	3425	294	21	193140	77	20	3550	1887	269	811367	21	100	1185	22947	2050
191215	35	1-1/2	3450	675	48	192058	79	1	1700	308	26	193141	77	20	1760	1989	311	811369	21	125	1780	20860	2000
191217	35	1-1/2	1750	670	48	192059	79	1	1100	482	35	193142	77	20	1180	3081	385	811371	21	150	1780	23667	2321
191219	35	1-1/2	1750	668	48	192060	77	1-1/2	3425	311	27	193144	78	20	3545	2107	269	811516	21	250	1780	37115	3210
191220	35	1-1/2	1750	687	48	192061	77	1-1/2	1700	318	37	193145	78	20	1765	2223	311	811529	21	300	1785	47048	3410
191221	35	2	3450	748	49	192064	78	1-1/2	3450	343	30	193146	78	20	1180	3380	385	811530	21	350	1785	57389	3520
191223	35	2	1750	765	52	192065	78	1-1/2	1740	349	37	193147	79	20	3550	2107	269	811541	67	1	1725	668	55
191225	35	2	1750	763	52	192067	79	1-1/2	3425	335	27	193148	79	20	1760	2223	311	811542	67	1-1/2	3460	827	58
191226	35	2	1750	785	52	192068	79	1-1/2	1700	342	37	193150	77	25	3550	2297	319	811543	67	1-1/2	1730	766	65
191290	35	1	1750	641	45	192070	77	2	3425	332	33	193151	77	25	1775	2528	381	811544	67	2	3500	869	68
191291	35	1	1750	643	46	192071	77	2	1700	343	38	193152	77	25	1180	3865	517	811545	67	2	1735	802	68
191414	35	1/2	1140	582	36	192074	78	2	3470	380	33	193154	78	25	3550	2534	319	811546	67	3	3525	1259	105
191415	35	3/4	1140	670	49	192075	78	2	1710	391	38	193155	78	25	1775	2829	381	811547	67	3	1760	1066	100
191417	35	1	1140	700	49	192077	79	2	3425	373	33	193157	79	25	3550	2534	319	811548	67	5	3505	1352	142
191418	35	1	1140	753	49	192078	79	2	1700	380	38	193160	77	30	3550	2730	355	811549	67	5			

LEESON CATALOG NUMBER INDEX • Motors, Sub-FHP Gearmotors, Drives, and Accessories

Catalog Number	Page	HP	RPM	List Price \$	Wgt. (lbs.)	Catalog Number	Page	HP	RPM	List Price \$	Wgt. (lbs.)	Catalog Number	Page	HP	RPM	List Price \$	Wgt. (lbs.)	Catalog Number	Page	HP	RPM	List Price \$	Wgt. (lbs.)
E175930	21			\$1548	2	G130663	31	5	1760	\$1103	85	G150006	12,62	20	1750	\$1580	307	G150172	27	10	1760	\$968	183
E175931	21			1548	2	G130664	31	3	1760	1046	77	G150007	12,62	20	1750	1729	321	G150173	27	15	3510	1347	191
ECB175926	21			172	1	G130990	27	7-1/2	3450	860	91	G150009	12	25	1770	1823	388	G150175	27	15	1770	1381	266
G120010	10,62	1	1725	351	30	G131082	11	7-1/2	3450	786	91	G150011	12	25	1770	2034	370	G150299	11	5	3500	664	100
G120011	10,62	1-1/2	1725	373	37	G131165	31	7-1/2	3450	1624	108	G150013	12	30	1770	2096	434	G150352	13	200	1790	16940	2053
G120012	10,62	2	1725	400	45	G131167	31	5	3450	1309	76	G150015	12	30	1770	2475	428	G151317	12	15	3510	1364	168
G120014	10	1	1725	394	31	G131171	31	5	1760	1181	79	G150017	12	40	1780	2668	528	G151318	12	25	3500	2187	307
G120015	10	1-1/2	1725	398	36	G131173	27	5	3450	665	80	G150019	12	40	1780	3195	528	G151320	11	3	1750	642	94
G120016	11	2	1725	421	46	G131236	21	5	1760	599	86	G150021	13	50	1780	3017	612	G151322	11	5	1750	681	101
G120076	11	2	3450	449	45	G131237	21	3	1760	517	74	G150023	13	50	1780	3939	561	G151367	13	100	1190	12600	1900
G120077	11	3	3450	479	45	G131239	21	5	1760	507	76	G150025	13	60	1780	3813	715	G151368	13	125	3570	13009	1282
G120086	10	1-1/2	3450	435	45	G131240	21	3	1760	457	63	G150027	13	60	1780	5752	687	G151369	13	125	1780	11843	1920
G120087	10	1	1140	523	45	G131249	27	5	3450	511	84	G150029	13	75	1780	4646	765	G151370	13	125	1190	14413	2179
G120088	11	2	3450	500	45	G131250	27	7-1/2	3450	835	92	G150031	13	75	1780	6640	723	G151371	13	150	1790	13288	1900
G120089	10	1	1140	485	35	G131338	21	3	1760	613	58	G150032	12	20	3525	1469	258	G151377	27	30	1770	2400	430
G120103	10	1-1/2	3450	397	35	G131497	26	2	1140	710	76	G150033	12	20	3525	1856	296	G151378	27	40	1780	3042	491
G120185	11	3	3450	572	42	G131558	44	3	1740	1674	84	G150034	12	25	3525	1812	292	G151379	27	50	1780	3601	599
G120275	26	2	1725	469	35	G131559	44	5	1740	2040	97	G150035	12	25	3550	2242	349	G151383	27	25	3550	2282	362
G120276	26	2	1725	484	45	G131575	72	2	1140	805	84	G150036	12	30	3550	2133	373	G151396	27	30	3550	2692	375
G120329	45	1-1/2	1725	1138	44	G131613	45	3	1740	1590	78	G150037	12	30	3550	2470	375	G151446	27	5	3450	743	101
G120330	45	2	1725	1165	53	G131614	45	5	1740	1973	102	G150038	12	40	3550	2559	426	G151449	13	150	3570	10040	1073
G120370	44	1-1/2	1725	1039	44	G131617	45	3	1740	1667	79	G150039	12	40	3550	3237	496	G151522	13	150	1790	9163	1852
G120371	44	2	1725	1179	45	G131618	45	5	1740	2082	117	G150040	13	50	3550	3154	511	G151523	13	200	1785	11076	1860
G120387	41	3	3450	899	51	G131620	45	2	1140	1945	80	G150041	13	50	3550	4009	637	G151563	11	3	3510	658	93
G120391	41	2	1725	912	56	G131626	44	3	1740	1455	65	G150042	13	60	3550	3528	560	G151564	26	3	3510	713	94
G120428	26	1	1140	561	35	G131627	44	5	1740	1829	95	G150043	13	60	3570	6195	695	G151565	26	3	1750	696	94
G120489	41	1-1/2	3450	739	46	G131635	72	2	1140	843	84	G150044	13	75	3570	5071	707	G151566	27	5	1750	764	101
G120490	41	1-1/2	1725	823	56	G131774	27	7-1/2	3450	873	70	G150045	13	75	3570	7298	850	G151680	27	100	1780	9696	1100
G120491	41	2	3450	761	51	G131775	31	5	3450	1103	75	G150062	12	15	3525	1365	260	G151688	27	25	3525	2039	300
G120585	31		1725	585	35	G131776	31	7-1/2	3450	1376	87	G150064	12	15	3510	1203	173	G151689	27	60	1780	4520	725
G120586	31	2	1725	730	46	G131899	26	3	3515	669	61	G150065	12	15	1770	1248	265	G151690	27	75	1780	5490	771
G120587	31	1	1725	616	35	G131900	37	3	1750	1686	85	G150066	12,62	15	1770	1405	284	G151691	27	100	1780	6988	997
G120588	31	2	1725	795	47	G131901	37	5	3450	1910	90	G150067	12	15	1170	1903	365	G151696	10	1	1725	422	49
G120858	31	1-1/2	1725	587	51	G131902	37	5	1750	1870	96	G150068	12	15	1170	2442	359	G151698	10	1-1/2	3450	466	45
G120911	31	3	3450	938	43	G131911	31	7-1/2	3450	1376	87	G150070	27	20	3525	1629	275	G151699	10	1	1140	560	58
G120991	26	3	3500	605	35	G132016	31	7-1/2	3450	1624	90	G150071	27	20	1770	1681	325	G151702	10	1-1/2	1725	427	53
G121050	45	1	1140	1447	45	G140122	11	5	1140	864	120	G150073	27	25	1770	2095	390	G151703	11	2	1725	453	56
G121051	45	1-1/2	1725	1192	45	G140126	11	5	1140	991	142	G150079	27	20	3525	1932	257	G151704	11	2	3450	536	49
G121052	45	2	1725	1227	59	G140146	27	10	1740	912	162	G150080	27	20	1770	1797	321	G158000	43	15	3520	2432	325
G121053	44	1-1/2	1725	1076	42	G140147	27	10	1740	965	162	G150081	27	25	1770	2317	387	G158001	43	15	1765	2422	375
G121054	44	2	1725	1209	51	G140183	27	7-1/2	1740	824	153	G150082	27	30	1770	2739	433	G158010	43	20	1765	2530	263
G121072	26	3	3500	470	35	G140280	31	7-1/2	1740	1376	131	G150083	27	40	1780	3496	572	G158140	43	10	1765	1796	155
G121166	33	1-1/2	1725	750	42	G140281	31	10	1740	1647	165	G150084	27	50	1780	4052	631	G158157	43	7-1/2	1760	1700	138
G121167	33	2	1725	877	51	G140464	31	10	1740	1702	140	G150085	27	60	1780	6112	699	G158158	43	7-1/2	3530	1719	175
G121182	42	2	1740	978	58	G140466	31	7-1/2	1740	1497	131	G150086	27	75	1780	7753	757	G158159	43	10	3535	1804	190
G121191	72	2	1740	528	46	G140471	11,62	7-1/2	1740	709	144	G150087	13	100	1780	8920	1050	G158319	43	5	3475	1121	110
G121286	26	1	1740	463	35	G140482	27	5	1140	1142	144	G150096	12	40	1180	5523	638	G158362	43	3	1760	1064	100
G121287	26	1-1/2	1725	462	37	G140489	12,60	10	1740	891	167	G150097	12	50	1180	6447	686	G158366	43	5	1745	1102	120
G121290	26	1-1/2	3450	485	27	G140490	12,62	10	1740	847	132	G150098	13	60	1190	7452	888	G191210	35	1	3450	658	42
G121420	37	1-1/2	1750	1155	49	G140550	11	3	1140	742	140	G150099	13	75	1190	8775	973	G191212	35	1	1750	691	48
G121421	37	2	1750	1366	50	G140551	11	3	1140	823	116	G150102	27	15	1770	1472	268	G191216	35	1-1/2	3450	726	49
G121510	26	2	3450	533	45	G140578	11,62	7-1/2	1740	769	144	G150103	27	15	3510	1530	245	G191218	35	1-1/2	1750	719	49
G121524	37	1-1/2	3450	1138	45	G140579	12	15	1760	1284	150	G150104	27	15	1170	2872	369	G191222	35	2	3450	870	50
G121526	37	2	3450	1351	49	G140589	27	7-1/2	1740	742	100	G150106	27	25	3550	2282	362	G191224	35	2	1750	854	53
G121528	37	3	3450	1626	53	G140601	45	3	1170	2985	147	G150108	27	30	3550	2692	375	G191293	35	3	3450	932	62
G121540	31	1-1/2	1725	643	51	G140602	26	3	1140	889	118	G150110	27	40	3550	3969	574	G825001	43	60	3560	8813	875
G121541	42	1	1725	1120	44	G140603	45	7-1/2	1760	2538	162	G150112	27	50	3550	4085	604	G825002	43	60	1775	8064	975
G121542	42	1-1/2	1725	1162	54	G140604	20			756	119	G150114	27	60	3570	6678	860	G825004	43	75	3555	10184	1000
G121543	42	2	1725	1271	65	G140605	45	7-1/2	1760	2658	163												

LEESON CATALOG NUMBER INDEX • Motors, Sub-FHP Gearmotors, Drives, and Accessories

Catalog Number	Page	HP	RPM	List Price \$	Wgt. (lbs.)	Catalog Number	Page	HP	RPM	List Price \$	Wgt. (lbs.)	Catalog Number	Page	HP	RPM	List Price \$	Wgt. (lbs.)	Catalog Number	Page	HP	RPM	List Price \$	Wgt. (lbs.)
G850621	42	15	1750	\$2897	238	M1125002	92	1/17	30	\$430	7	M1130120	83	1/4	1750	\$338	13	M1135294	98	1/4		\$569	13
G850622	42	20	1750	3302	263	M1125003	92	1/17	60	430	7	M1130136	84	1/12	1800	348	8	M1135295	98	1/4		569	13
G850623	42	25	1750	3400	366	M1125004	92	1/17	100	430	8	M1130137	84	1/8	1800	373	14	M1135296	98	1/4		569	13
G850624	42	30	1750	3862	385	M1125005	92	1/17	150	409	8	M1130138	84	1/6	1800	425	8	M1135297	98	1/4		569	13
G850625	42	40	1750	5020	550	M1125006	92	1/17	300	409	8	M1130139	84	1/4	1800	457	10	M1140171	109	1/15	1725	272	7
G850626	42	50	1750	6178	570	M1125033	92	1/17	300	409	8	M1130140	84	1/8	3000	348	9	M1140172	109	1/4	1725	315	8
M002256	73	1/3	1725	323	24	M1125034	92	1/17	150	409	8	M1130141	84	1/6	3000	360	10	M1140173	109	1/6	1725	292	9
M002290	73	1/3	1725	391	24	M1125035	92	1/17	100	430	8	M1130142	84	1/4	3000	392	10	M1145023	103	1/15	15	617	14
M009086	73	1/2	1725	380	27	M1125036	92	1/17	60	430	7	M1130143	84	1/3	3000	435	10	M1145024	103	1/15	30	561	14
M009087	73	3/4	1725	443	30	M1125037	92	1/17	30	430	7	M1130146	84	1/12	1800	348	8	M1145025	103	1/15	45	561	13
M009088	73	1	1725	466	34	M1125038	93	1/8	31	581	14	M1130147	84	1/8	1800	373	10	M1145026	103	1/15	70	561	13
M009089	73	1-1/2	1725	552	41	M1125039	93	1/8	51	534	14	M1130148	84	1/6	1800	425	7	M1145027	103	1/15	97	561	13
M009090	73	2	1725	786	48	M1125040	93	1/8	94	534	14	M1130149	84	1/4	1800	457	13	M1145028	103	1/15	139	561	13
M009492	73	1/2	1725	429	27	M1125041	93	1/8	170	534	14	M1130150	84	1/8	3000	348	9	M1145029	103	1/15	8	617	14
M009493	73	3/4	1725	484	30	M1125046	92	1/40	4	396	6	M1130151	84	1/6	3000	360	9	M1145030	103	1/6	16	670	14
M009494	73	1	1725	504	34	M1125047	92	1/20	10	396	6	M1130152	84	1/4	3000	392	11	M1145031	103	1/6	30	670	16
M009580	73	1/2	1725	331	27	M1125048	92	1/20	20	396	6	M1130153	84	1/3	3000	435	11	M1145032	103	1/6	40	670	16
M009581	73	3/4	1725	373	30	M1125050	102	1/150	2	413	8	M1130206	86	1/4	3000	361	13	M1145033	103	1/6	60	614	16
M009594	73	1-1/2	1725	463	39	M1125069	93	1/8	24	581	14	M1130207	86	1/4	1800	413	13	M1145034	103	1/6	90	614	16
M009595	73	2	1725	514	47	M1125070	93	1/8	31	581	14	M1130296	86	1/4	3000	361	9	M1145035	103	1/6	156	614	16
M009644	69	1	850	558	45	M1125071	93	1/8	51	534	14	M1130297	86	1/4	1800	413	9	M1145037	106	1/6	29	689	16
M009782	73	1	1725	388	37	M1125072	93	1/8	61	534	10	M1135038	97	1/8	62	512	10	M1145038	106	1/6	43	689	16
M064076	73,123			43	3	M1125073	93	1/8	94	534	14	M1135039	97	1/8	125	512	10	M1145039	106	1/6	83	689	16
M090085	69	1/3	1625	272	20	M1125074	93	1/8	167	534	14	M1135040	97	1/8	250	512	10	M1145040	106	1/6	170	689	16
M090086	69	1/2	1625	294	22	M1125080	106	1/15	28	508	9	M1135041	97	1/8	500	512	10	M1145041	106	1/6	340	689	16
M090253	69	1/3	1725	254	22	M1125081	106	1/15	43	508	9	M1135042	97	1/4	62	551	13	M1145082	106	1/6	57	689	16
M090405	59	1/3	1725	234	19	M1125082	106	1/15	58	508	9	M1135043	97	1/4	83	551	13	M1145122	108	1/6	16	533	14
M090585	59	1/2	1725	287	22	M1125083	106	1/15	85	508	9	M1135044	97	1/4	125	551	13	M1145123	108	1/6	30	533	14
M090602	59	1/4	1725	223	15	M1125084	106	1/15	173	508	9	M1135045	97	1/4	250	551	13	M1145124	108	1/6	60	493	13
M099250	69	1/2	850	330	24	M1125092	93	1/20	20	581	10	M1135046	97	1/4	500	551	13	M1145125	108	1/6	90	493	13
M099251	69	1/2	850	333	24	M1125093	93	1/20	60	534	14	M1135053	97	1/12	42	444	10	M1145126	108	1/6	156	493	13
M099260	69	1/4	1075	256	21	M1125094	93	1/20	106	522	10	M1135054	97	1/12	62	444	10	M1145127	108	3/8	29	653	18
M099261	69	1/3	1075	303	21	M1125127	102	1/15	9	413	10	M1135055	97	1/12	125	444	10	M1145128	108	3/8	43	653	18
M099460	73	1/4	1075	262	21	M1125128	102	1/15	19	413	10	M1135056	97	1/12	250	444	10	M1145129	108	3/8	83	653	18
M099461	73	1/3	1075	281	22	M1125129	102	1/15	28	413	9	M1135057	97	1/12	500	444	10	M1145130	108	3/8	170	653	18
M099462	73	1/2	1075	305	25	M1125130	102	1/15	57	397	9	M1135058	97	1/8	62	512	10	M1145131	108	3/8	340	653	18
M099799	69	1/4	1625	245	19	M1125131	102	1/15	94	397	9	M1135059	97	1/8	125	512	10	M1740005	121			331	5
M099800	69	1/3	1625	278	22	M1125132	102	1/15	142	384	9	M1135060	97	1/8	250	512	10	M1740006	121			449	5
M099801	69	1/2	1625	300	29	M1125133	102	1/15	283	384	9	M1135061	97	1/8	500	512	10	M1740007	121			185	1
M099836	69	1/2	850	345	24	M1125213	102	1/20	10	438	6	M1135062	97	1/4	62	551	13	M1740008	121			288	2
M099847	69	3/4	1075	484	36	M1125214	92	1/17	30	465	7	M1135063	97	1/4	83	551	13	M1740009	121			214	1
M099899	73	1/4	1625	244	18	M1125215	92	1/17	55	465	7	M1135064	97	1/4	125	551	13	M1760000	107			31	-1
M099900	73	1/3	1625	258	19	M1125216	92	1/17	90	465	8	M1135065	97	1/4	250	551	13	M1760003	107			41	1
M099901	73	1/2	1650	287	22	M1125217	93	1/20	5	581	10	M1135066	97	1/4	500	551	13	M1760006	107			43	1
M099946	69	1/2	1075	313	26	M1125218	93	1/8	31	595	14	M1135069	97	1/8	42	512	10	M1760007	107			31	1
M1110003	83	1/25	1750	225	3	M1125219	93	1/8	51	547	14	M1135106	95	1/8	7	574	11	M1760011	107			49	1
M1110006	87	1/20-1/10	1750-4200	206	3	M1125220	93	1/8	61	547	14	M1135107	95	1/8	14	574	11	M1760012	107			33	1
M1110014	83	1/25	3500	217	3	M1125247	94	1/8	51	490	14	M1135108	95	1/4	42	600	16	M1760021	107			31	-1
M1110015	83	1/15	3500	233	5	M1125248	94	1/8	31	490	14	M1135109	95	1/4	50	600	16	M1760029	107			51	1
M1110024	84	1/12	3000	310	6	M1125249	94	1/8	24	490	14	M1135110	95	1/4	62	600	16	M900195	59	1/4	1725	172	13
M1110025	86	1/12	3000	282	5	M1125250	94	1/20	19	477	10	M1135111	95	1/4	125	567	16	M900196	59	1/3	1725	201	15
M1110026	86	1/12	1800	320	6	M1125251	94	1/20	9	477	10	M1135112	95	1/4	165	567	16	M900197	59	1/2	1725	264	20
M1115000	92	1/20	20	396	6	M1125252	94	1/8	51	502	14	M1135113	95	1/4	500	567	16	M900277	59	1/3	1725/1140	330	20
M1115001	92	1/20	10	396	6	M1125253	94	1/8	31	502	14	M1135114	95	1/4	83	567	16	M900599	59	1/2	1725/1140	414	30
M1115002	92	1/40	4	396	6	M1125254	94	1/8	24	502	14	M1135115	95	1/4	27	600	16	MK1052	51	1/2	3450	234	26
M1115018	97	1/17	42	444	7	M1125255	94	1/20	18	490	10	M1135116	95	1/4	250	567	16	MK1072	51	3/4	3450	278	27
M1115019	97	1/17	62	444	7	M1125256	94	1/20	9	490	10	M1135117	95	1/4	21	600	16	MK1102	51	1	3450	309	29
M1115020	97	1/17	125	444	7	M1125259	99	1/20	5	659	11	M1135139	95	1/8	7	574	9	MK1152	51	1-1/2	3450	367	37
M1115021	97	1/17	250	444	7	M1125262	99	1/8	31	676	12	M1135140	95	1/8	14	574	11	MK1202	51	2	3450	439	37
M1115022	97	1/17	500	444	7	M1125263	99	1/8	51	625	12	M1135141	95										

Industrial & Commercial AC Motors



A Leader in the Motor Industry

Throughout its history, Lincoln has introduced numerous innovations to the market:

- Stagger-stacked laminations for extremely cool motor operation
- Pressure encapsulation technology
- Extruded aluminum frame motors and automatically wound stator coils
- Steel frame TEFC motors in sizes 284T – 445T
- Ultimate E motors (Premium efficient motors)
- Wash-Thru™ motors for harsh environments



"Over 100 Years of Excellence in Motors"



A LONG-LIFE LINCOLN MOTOR FOR ANY APPLICATION

	Enclosure	Product Line	Horsepower																										
			1/4	1/3	1/2	3/4	1	1.5	2	3	5	7.5	10	15	20	25	30	40	50	60	75	100	125	150	200	250	300	350	400
Single Phase	ODP	Signature Series	[Bar from 1/4 to 10]																										
	TEFC	Signature Series	[Bar from 1/4 to 10]																										
	ODP	Signature Series	[Bar from 1/4 to 25]																										
		Ultimate E [®]	[Bar from 15 to 450]																										
Three Phase	TEFC	Signature Series	[Bar from 1/4 to 10]																										
		Ultimate E [®]	[Bar from 1.5 to 300]																										
	Severe Duty TEFC	[Bar from 1 to 800]																											
	IEEE 841 TEFC	[Bar from 3 to 50]																											
	Automotive Duty	[Bar from 1/2 to 60]																											
	Wash-Thru™ & Washdown	[Bar from 1/2 to 10]																											
	Crusher Duty	Ultimate E [®]	[Bar from 60 to 300]																										
	Agriculture/ Farm Duty	Signature Series	[Bar from 1/4 to 15]																										
	ODP Encapsulated	Multiguard [®]	[Bar from 15 to 250]																										

“SPIKE-PROOF” INVERTER-DUTY MOTORS

Speed Range Capability		Enclosure	Product Line	Efficiency Level	Horsepower																							
Constant Torque (CT)	Variable Torque (VT)				1/3	1/2	3/4	1	1.5	2	3	5	7.5	10	15	20	25	30	40	50	60	75	100	125	150	200	250	300
15 to 60 Hz (4:1)	0 to 60 Hz (100:1)	TEFC	CTAC	Premium	[Bar from 1/3 to 400]																							
0 to 60 Hz (100:1)	0 to 60 Hz (100:1)	TEFC, TENV, & TEBC	CTAC	Standard	[Bar from 1/3 to 200]																							
		TENV, TEBC	CTAC	Standard	[Bar from 1/3 to 200]																							

HOW TO USE THE LINCOLN SECTION



The Lincoln portion of the catalog has been designed to provide a consistent, easy-to-follow format to help you choose the best Lincoln motor for your application.

1 Header Information

Provides a quick reference for each product family including: enclosure, product line, efficiency levels, voltage ratings, mounting configurations and horsepower range.

2 Product Photo

Photo of the products listed in each section.

3 Features Listing

Highlights of the major performance features of each product line. Usually references service factor, torque characteristics, multiple nameplate rating identification, general construction material, insulation rating, starting capabilities, and warranty period.

4 Applications

Reviews the general environments and applications where this type of product family is typically utilized.

5 Supporting Materials

Provides a quick reference for locating or ordering commonly requested information such as: dimension sheets, performance data, and sales literature.

6 "Notes" Column

The "Notes" column provides important information related to each specific motor including:

- 50 Hertz Rating
- 208 Volt, 60 Hz Rating
- Dual Nameplating as Design B and C
- Specification approvals

7 Extensive Model Number Listing

Over 3,000 models to make it easier to identify the exact Product Number desired.


Lincoln **TEFF-FAST IRON SEVERE DUTY**
15 TO 350 HP
230/460 VOLTS • 3-PHASE
FOOT MOUNT & C-FACE
1 TO 350 HP

Features:

- 41 Constant speed range of 15-60 Hz at continuous duty
- Variable torque range of 0-80 Hz
- Standard for 20 base spacing (name) or 1.5x base spacing (DENT 44FF frames)
- Wider speed ranges available on intermittent duty
- Severe Duty - full cast iron construction
- Ultimate Torque Defense™ Inverter System
- 1.00 service factor on PMSD models, 1.15 service factor or greater on line rated power
- Precision dynamic balanced rotor assembly
- Thermal overload protection (Class F thermistors)
- Warranty: 60 months from date of manufacture and 24 months from date of installation (which ever period expires first)
- Made in the U.S.A.

Applications:

For use in variable speed applications (machine tools) or constant torque (conveyors) speed applications when the stated speed is required.



Supporting Materials:

Dimensions: 12315 office
Performance: 12315 office
Sales Literature: 12315 office
Case History: 12315 office

FOOT MOUNT

HP	208 V	230 V	460 V	50 Hz	60 Hz	Motor Number	Product Line	Frame Size	Approx. Weight (Lbs)	Net Price	Net Price
1	1800	1407	80.5	1.00	230460	CCBPT1512G40	LMD1200	D 5	74	3047	US-1
1.5	1800	1407	80.5	1.00	230460	CCBPT1512G40	LMD1200	D 5	80	3051	US-1
2	1800	1407	80.5	1.00	230460	CCBPT1512G40	LMD1200	D 5	87	3057	US-1
3	1800	1407	80.5	1.00	230460	CCBPT1512G40	LMD1200	D 5	103	3070	US-1
4	1800	1407	80.5	1.00	230460	CCBPT1512G40	LMD1200	D 5	109	3076	US-1
5	1800	1407	80.5	1.00	230460	CCBPT1512G40	LMD1200	D 5	123	3090	US-1
7.5	1800	1407	80.5	1.00	230460	CCBPT1512G40	LMD1200	D 5	180	3150	US-1
10	1800	1407	80.5	1.00	230460	CCBPT1512G40	LMD1200	D 5	206	3180	US-1
15	1800	1407	80.5	1.00	230460	CCBPT1512G40	LMD1200	D 5	270	3250	US-1
20	1800	1407	80.5	1.00	230460	CCBPT1512G40	LMD1200	D 5	327	3310	US-1
30	1800	1407	80.5	1.00	230460	CCBPT1512G40	LMD1200	D 5	371	3360	US-1
40	1800	1407	80.5	1.00	230460	CCBPT1512G40	LMD1200	D 5	420	3410	US-1
50	1800	1407	80.5	1.00	230460	CCBPT1512G40	LMD1200	D 5	471	3460	US-1
75	1800	1407	80.5	1.00	230460	CCBPT1512G40	LMD1200	D 5	570	3550	US-1
100	1800	1407	80.5	1.00	230460	CCBPT1512G40	LMD1200	D 5	660	3630	US-1
150	1800	1407	80.5	1.00	230460	CCBPT1512G40	LMD1200	D 5	850	3750	US-1

C-FACE

HP	208 V	230 V	460 V	50 Hz	60 Hz	Motor Number	Product Line	Frame Size	Approx. Weight (Lbs)	Net Price	Net Price
3	1800	1407	80.5	1.00	230460	CCBPT1512G40	LMD200	D 5	162	3090	US-1

Prices and data subject to change without notice.

Product numbers in red are STOCK items.

- General Information181
- How to Order306
- Model Numbers Defined179
- Notes and Symbols306
- Terms and Conditions319
- Motor Warnings & Cautions321

ODP MOTORS

SINGLE PHASE

115, 208 & 230 VOLTS, 60 Hz

- Foot Mount & C-Face184
- Foot Mount with Overload Protection ...186

THREE PHASE

230/460 & 460 VOLTS, 60 Hz

- Foot Mount190
- C-Face with Feet193
- C-Face Footless196
- Inverter Duty221

575 VOLTS, 60 Hz

- Foot Mount243
- C-Face with Feet245

TEFC MOTORS

SINGLE PHASE

115, 208 & 230 VOLTS, 60 Hz

- Foot Mount & C-Face187
- Foot Mount with Overload Protection ...189

THREE PHASE

230/460 & 460 VOLTS, 60 Hz

- Cast Iron Frames
 - Foot Mount207
 - C-Face with Feet209
- Extruded Aluminum & Steel Frames
 - Foot Mount198
 - C-Face with Feet202
 - C-Face Footless205
- Severe Duty
 - Foot Mount211
 - C-Face with Feet214
 - C-Face Footless217

Automotive Duty

- 56 Frames233
- U Frames235
- T Frames211
- Crusher Duty241
- Inverter Duty - Cast Iron Frames222

Inverter Duty - Extruded

- Aluminum & Steel218
- Large Frames - up to **700 HP**214
- 2300/4000 VOLTS, 60 Hz**227

575 VOLTS, 60 Hz

- Extruded Aluminum & Steel Frames
 - Foot Mount246
 - C-Face with Feet249
- Severe Duty
 - Foot Mount252
 - C-Face with Feet254

SINGLE PHASE

115, 208 & 230 VOLTS, 60 Hz

- ODP184
- TEFC187

THREE PHASE

230/460 & 460 VOLTS, 60 Hz

- ODP190
- TEFC - Extruded Aluminum/
Steel Frames202
- TEFC - Cast Iron Frames207
- Severe Duty211
- Inverter Duty - TEFC218

575 VOLTS, 60 Hz

- ODP243
- TEFC - Extruded Aluminum/
Steel Frames246
- Severe Duty252

“SPIKE-PROOF” INVERTER DUTY MOTORS

30 to 60 Hz (2:1) Constant Torque & 6 to 60 Hz (10:1) Variable Torque

- ODP221
- 15 to 60 Hz (4:1) Constant Torque & 0 to 60 Hz (100:1) Variable Torque
 - TEFC222
 - Cast Iron TEFC - Severe Duty222

Increasing Speed Range

0 to 60 Hz (100:1) Constant Torque & 0 to 60 Hz (100:1) Variable Torque

- TEFC, TENV & TEBC (Q10 & Q20 suffix)223
- TENV & TEBC with encoder (Q15 suffix)225

MEDIUM VOLTAGE MOTORS—2300/4000V

- TEFC227
- ODP & TEBC ...Contact Local Sales Office

WASH-THRU & WASHDOWN MOTORS

- Wash-Thru™ Motors229
- S.S. WET-Linc232

AUTOMOTIVE DUTY MOTORS

- 56 Frame233
- U Frame
 - Foot Mount235
 - C-Face237
- T Frame
 - Foot Mount211
 - C-Face214

CRUSHER DUTY MOTORS

575 VOLT MOTORS

- ODP
 - Foot Mount & C-Face243
- TEFC - Extruded Aluminum & Steel Frames
 - Foot Mount246
 - C-Face with Feet249
- Severe Duty - Cast Iron
 - Foot Mount252
 - C-Face with Feet254

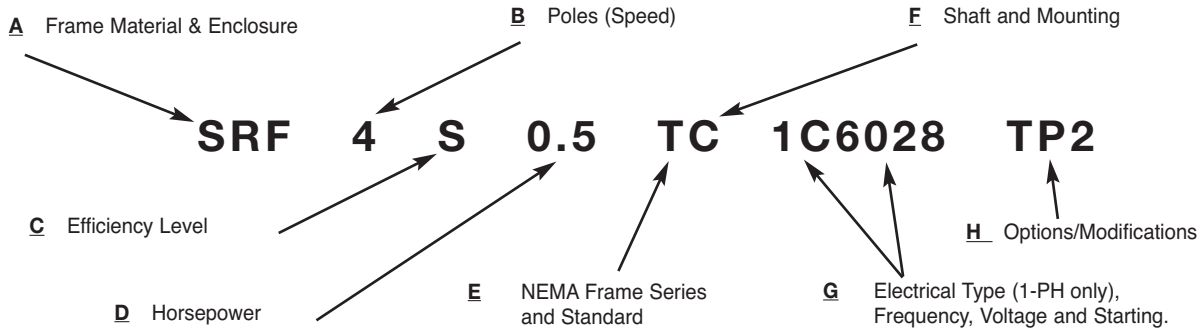
AGRICULTURE/FARM DUTY MOTORS

- Aeration Fan, HVAC259
- Agricultural Fan
 - Direct Drive-Thru Bolt258
 - Foot Mount, Belt Drive257
 - PSC Variable Speed257
 - Resilient Base-Thru Bolt258
- Auger Drive259
- Crop Dryer260
- Farm Duty (High & Extra High Torque) .256
- Grain Stirring260

DEFINITE PURPOSE MOTORS

- Multiguard® Encapsulated267
- 200 Volt Motors - ODP & TEFC270
- Submersible Elevator Motors261
- Hydraulic Elevator Motors262
- Variable Voltage Variable Frequency
 - Traction Elevator Hoist Motors264
- Lincoln Kits295

A TYPICAL SINGLE PHASE MOTOR MODEL NUMBER



A Frame Material:

- A, AA = Extruded aluminum
- AV = Alum 63 frame
- AP = Alum 71 frame
- AR = Alum 80 frame
- C = Cast iron
- M = Steel (encapsulated windings, 284T-445T frames)
- S = Steel (143T-449T frames)

Signature Series Motors

- SP = Steel (48 frames)
- SR = Steel (56 frames)
- SS = Steel (143T-215T frames)
- CC = Cast iron (143T and larger)

Enclosure (follows Frame Material*):

- A = TEAO
- B = TEBC
- D = ODP
- E = ODP-Encapsulated
- EW = Wash-Thru™ Motor
- F = TEFC
- RN = Steel TENV 48 frame
- N = TENV
- P = Severe Duty IEEE 841
- S = Severe Duty
- FW = TEFC, Washdown
- FX = TE, Explosion-proof
- NW = TENV, Washdown
- RA = TEAO, Steel
- NX = XP, TENV
- YF = TEFC, Metric
- PA = Steel 48 frame
- PN = Steel TENV 48 frame
- RN = Steel TENV 48 frame

B Number of Magnetic Poles: this leads to motor synchronous speed (rpm).

Poles	Speed	
	60 Hz	50 Hz
2	3600 RPM	3000 RPM
4	1800	1500
6	1200	1000
8	900	750

Single speed motors:

4 = 1800 (60 Hz) or 1500 (50 Hz)

Two speed motors:

2/4/1 = 3600 and 1800 (60 Hz), one winding

4/8/2 = 1800 and 900 (60 Hz), two windings

C Efficiency Level:

- B = Exceeds NEMA MG-1 Table 12-10
- G = Below NEMA MG-1 Table 12-10, GM7EQ
- P = Meets EPCAct, NEMA MG-1 Table 12-10 and GM-7EH.
- S, H = Below NEMA MG-1 Table 12-10

D Horsepower:

Single speed motor examples: 0.25, 0.5, 1.5, 75, 800

Horsepower range example: 5-7 = 5 to 7

Two speed motor example:

10/2.5 = 10 HP high speed, 2.5 HP low speed

E NEMA Frame Series and Dimensions:

- T or U = sets frame number and dimensions in accordance with NEMA T or U design standards for the motor's HP, speed and enclosure.
- E = Metric design IEC

F Shaft and Mounting:

- AD = Auger drive
- C = C-Face, B14
- D = D-Flange, B5
- J = Jet Pump
- JM = JM Pump Mount
- JP = JP Pump Mount
- L = Locked bearing
- N = No feet
- R = Resilient mount
- S = NEMA short shaft
- Y = special mounting (ie. extended thru-bolts)
- Z = non-standard shaft dimensions (-1, -2, -3, etc. will appear at the end of the Model Number)

Double shaft motors are identified by two symbols, the first for the "normal drive end" and the second for the "opposite normal drive end": SD4B30T**IM**61Y and SD4P75T**IST**S61Y

Each end of the double shaft can have its own mounting: MD4S125T**SCT**S61 and CS6P15T**TM**C61Y

Mounting symbols are listed in alphabetical order when more than one is specified: SSD2S25T**JMN**61

G Electrical Type (Single Phase Only):

- 1A = permanent split capacitor
- 1B = capacitor start, capacitor run
- 1C = capacitor start, induction run
- 1N = split phase start, capacitor run
- 1S = split phase

Frequency:

6_ = 60 Hz and 5_ = 50 Hz

Voltage:

The specific number has no significance. Lincoln will assign the next number in sequence to a new, previously unmanufactured voltage when it is ordered.

Commonly used voltage codes:

60 Hz	50 Hz
61 = 230/460 V	51 = 220/380 V
62 = 200/400	52 = 240/415
63 = 208	53 = 230/400
64 = 460	54 = 200/400
65 = 575	55 = 380
66 = 230	56 = 400
67 = 440	57 = 415
68 = 380	58 = 440
69 = 480	59 = 220/440
6003 = 220/380/5001 = 190/380	
6004 = 220/440/5007 = 346	
6020 = 2300	5012 = 550
6021 = 4000	5014 = 380-415
6024 = 2300/4000	
6026 = 208-230/460	
6027 = 115/230	
6028 = 115/208-230	
6029 = 208-220/440	

Reduced Voltage Start Capability:

- P = Part winding start (PWS)
- Y = Wye-delta start (YDS)
- PY = PWS and YDS

H Options/Modifications:

If a motor has more than one Option / Modification, the symbols will appear in alphabetical order.

- AP1 CE Compliant Motor
- AP5 Fire Pump certified
- AP7 Farm Duty, High Torque
- AP8 Farm Duty, Extra High Torque
- AP9 Grain Stirring
- AP10 PSC Variable Speed

H Options/Modifications (cont'd):

- AP11 PSC Variable Speed, expanded speed range
- AP13 UL Listed Class 1 Groups C & D and Class 2 Groups F & G, thermostats
- AP14 UL Listed Class 1 Groups C & D and Class 2 Groups F & G, auto reset thermal protector
- AP15 UL Listed Class 1 Group D and Class 2 Groups F & G, thermostats
- AP21 Non NAFTA Qualified
- AP23 Non NAFTA Qualified
- AP25 Non NAFTA Qualified
- B F-2 Mount
- C_ Ceiling Mount - NEMA position follows "C"; 1-2
- E3 Class H Insulation
- E5 Class H Insulation & High Temperature Grease
- F Fungus Proofing (Tropicalization)
- H4 Leads exit motor at 12 o'clock position
- HS Precision Dynamic Balance
- HT1 Space Heater, 120V
- HT2 Space Heater, 240 V
- K Omit Terminal Box
- L_ Additional Lead Length - "L" followed by additional length in inches
- MB3 Insulated bearings, both ends
- MB6 Double sealed bearings, both ends
- MK_ Brake installed on motor
- Q10 CTAC® Inverter Duty Motor with provision for mounting feedback device
- Q15 CTAC Inverter Duty Motor with factory installed Dynapar 625 1024 ppr encoder
- Q15_ CTAC Inverter Duty Motor with factory installed encoder - letter following "Q15" represents brand and ppr rating of encoder, A through S.
- Q20 CTAC Inverter Duty motor without provision for mounting feedback device
- Q40 CTAC Inverter Duty Motor without provision for mounting feedback device
- QS10 Crop dryer (single phase, auto reset)
- QS11 Crop dryer (single phase, thermostats)
- QS12 Crop dryer (three phase, thermostats)
- RB Roller bearing on drive end
- T1 Thermostats, Class F, 3 in series
- T5 Thermostats (2) Class F
- TD1,2 RTD - Winding, 100 Ω platinum
- TD4 RTD - Winding, 10 Ω copper
- TD6 RTD - Winding, 120 Ω nickel
- TP1 Overload protection, manual reset
- TP2 Overload protection, auto reset
- TX1 Thermistors, 3 in series
- W_ Wall Mount - W followed by NEMA position number, 1-8
- X_ Paint color deviation

This edition of the LEESON stock catalog supersedes the following publication(s):

LC1050 Revised issue effective July 2, 2007

All list prices in this catalog are in U.S. dollars.

NEMA

Lincoln adheres to and in most cases improves upon the motor performance values and dimensional tolerances detailed in the latest edition of the National Electrical Manufacturers Association (NEMA) MG1 standard.

Web: www.nema.org

Motors Designed For Use In The Automotive Industry

Automotive Duty 56 frame and U Frame motors (pages 233-240) are designed to meet automotive industry specifications from General Motors (GM-7EQ, GM-7EH), Ford (EM1) and Chrysler (NPEM-100). Actual qualifications for individual ratings are indicated in the footnotes on the price pages.

Automotive Duty T Frame motors (pages 211-217) are designed to meet or exceed Ford EM1-1996 specification(see footnotes on the price pages).

UL Recognized Component Listing

Low voltage (< 600 V) motors in frames 48-449T and 182U-445U listed in this catalog (excludes REW, SREW, SEW, SSEW, MD and SE models) carry UL Recognized Component Listing (contact Lincoln for file number).



Web: www.ul.com

NAFTA

A NAFTA (North American Free Trade Agreement) Certificate of Origin can be supplied on request.

Canadian Standards Association (CSA)

Low voltage (< 600 V) motors in frames 48-449T and 182U-445U listed in this catalog have Canadian Standards Association approval (contact Lincoln for file number).



Web: www.csa-international.org

CE (Conformité Européene)

Lincoln offers a variety of CE-compliant motors. Copies of Lincoln's Declaration of Conformity for the Low Voltage Directive and Manufacturer's Declaration for the Machinery Directive are available on request.

Motors for Hazardous Locations

NEMA defines an explosion-proof motor as follows: "a totally-enclosed machine designed and constructed to withstand an explosion of a specified gas or vapor which may occur within it and to prevent ignition of specified gas or vapor surrounding the machine by sparks, flashes or explosions of the specified gas or vapor which may occur within the machine casing".

Typical applications include petroleum and chemical plants or pipelines, gasoline pumps and natural gas compressors.

A **dust-ignition-proof** motor is "a totally enclosed machine whose enclosure is designed and constructed in a manner which will exclude ignitable amounts of dust or amounts which might affect performance or rating, and which will not permit arcs, sparks, or heat otherwise generated or liberated inside of the enclosure to cause ignition of exterior accumulations or atmospheric suspensions of a specific dust on or in the vicinity of the enclosure. Successful operation of this type of machine requires avoidance of overheating from such causes as excessive overloads, stalling, or accumulation of excessive quantities of dust on the machine".

Typical applications include grain elevators, coal handling equipment, feed and cereal mills, sugar refineries and chemical plants. Both types of motors are submitted to Underwriters Laboratories (UL) for approval.

The following is a brief description of the hazardous locations of both gaseous and dusty atmospheres as classified by the National Fire Protection Association's (NFPA) National Electrical Code (NEC) and printed from the 1996 Handbook. Consult the National Electrical Code for more information on explosion proof regulations.

Class 1 Group Classifications:

Class C - Atmospheres containing ethyl ether, ethylene, or gases or vapors of equivalent hazard.

Class D - Atmospheres such as acetone, ammonia, benzene, butane, cyclopropane, ethanol, gasoline, hexane, methanol, methane, natural gas, naphtha, propane, or gases or vapors of equivalent hazard.

Class 2 Group Classifications:

Group F - atmospheres containing carbonaceous dusts, including carbon black, charcoal, coal or coke dusts that have more than 8% total entrapped volatiles, or dusts that have been sensitized by other materials so that they present an explosion hazard.

Group G - atmospheres containing combustible dusts not included in Group E or F, including flour, grain, wood, plastic, and chemicals.

Lincoln Explosion-Proof motors are UL listed in the following NEC locations (indicated by ✓ mark):

Model Number Suffix	Class 1, Division 1		Class 2, Division 1	
	Group C	Group D	Group F	Group G
AP13	✓	✓	✓	✓
AP14	✓	✓	✓	✓
AP15	-	✓	✓	✓

Because these motors are suitable for Division 1 locations, they are also suitable for Division 2 locations of the same Class and Group.

Method of Measuring Efficiency

Full Load Nominal Efficiency values are determined in accordance with IEEE Standard 112 Test Method B.

Web: www.ieee.com

Energy Policy Act of 1992 Conformance

All Lincoln motors comply with the requirements of EPCAct 92.



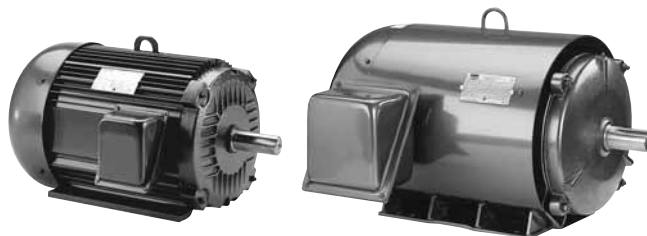
CEE & NEMA PREMIUM

The Consortium for Energy Efficiency is a national, non-profit organization that promotes energy-efficient products and services. The consortium has agreed to adopt the same standards as NEMA Premium.

Ultimate E® Motors

All Ultimate E motors include these outstanding construction features (1):

- Premium Class F Plus Insulation system
- High-quality double shielded ball bearings
- Non-wicking leads
- UL Recognized Component Listing and CSA



Signature Series Motors – Steel Frames

All Signature Series™ Motors include these outstanding construction features (1):

- Premium Class B or F Insulation system
- High-quality double sealed or double-shielded ball bearings
- Non-wicking leads
- UL Recognized Component Listing and CSA
- Phosphate coated drive shaft (48, 56 & 140T frames)
- See individual catalog sections



Product Line	Signature Series	Ultimate E	Signature Series	Ultimate E	Ultimate E
Enclosure / Degrees of Protection	ODP / Note 2	ODP / IP 22	TEFC / IP 44	TEFC / IP 54	TEFC / IP 54
Model Number Prefix	SPD, SRD, SSD	SD	SPF, SRF, SSF	AF, AAF	SF
Frame Sizes	48-256T	284T-449T	48-215T	182T-286T	324T-449T
Frame Material	steel	steel	steel	extruded aluminum	steel
Nameplate	mylar	stainless steel	mylar	stainless steel	stainless steel
End Bracket Material	cast aluminum	cast iron	cast aluminum	cast iron	cast iron
Fan Cover Material	N/A	N/A	plastic	steel	steel
Fan Material	N/A	N/A	plastic	plastic	plastic
Terminal Box Material	steel	steel	steel	steel	steel
Drive End Shaft Slinger	no	yes	no	yes	yes
Number of Varnish Dips	48-256	single	N/A	single (Note 3)	N/A
	284-449	N/A	double	double	double
Standard Voltage • 3-Phase (Number of Leads)	48-256	230/460 (9)	N/A	230/460 (9)	N/A
	284-405	N/A	230/460 (12) YDS	N/A	230/460 (12) YDS
Reduced Voltage Start Capability	444-449	N/A	460 (6) YDS	N/A	460 (6) YDS
Standard Voltage • 1-Phase (Number of Leads)	115/208-230 (6 or TB)	N/A	115/208-230 (6 or TB)	N/A	N/A
Tapped Grounding Hole	ground screw	no	ground screw	no	no
Finish Paint – Color / Type	gray / powder paint frames 48-145T, enamel spray frames 182T-286T and water-based acrylic frames 284T and larger				

NOTES:

1. Features listed in specific catalog sections supersede the information presented here.
 2. Contact Local Sales office for degrees of protection.
 3. Inverter Duty CTAC® motors receive double dip of varnish.
- TB = Terminal board provided in terminal box, 1 HP and smaller.

Specifications subject to change without notice.

Signature Series Motors – Cast Iron Frames

All Signature Series™ cast iron frame motors include these outstanding construction features (1):

- Premium Class F Insulation system
- High-quality double sealed or double-shielded ball bearings
- Stainless steel nameplates
- Non-wicking leads
- UL Recognized Component Listing and CSA
- See individual catalog sections



Product Line		Signature Series T-Frame	Signature Series T-Frame	Signature Series T-Frame	Signature Series T-Frame	Signature Series U-Frame
Enclosure		ODP	TEFC	Severe Duty	Severe Duty	TEFC
Degrees of Protection		Contact Lincoln	IP 44	IP 54	contact Lincoln	N/A
Model Number Prefix		CCD	CCF, CCN	CCS	CCS	CCF, CCN
Efficiency Code		B	P, B	P	B	P, G
Frame Sizes		254T-256T	143T-449T	143T-449T	182T-444T	182-445U
Frame Material		cast iron	cast iron	cast iron	cast iron	cast iron
End Bracket Material		cast iron	cast iron	cast iron	cast iron	cast iron
Fan Cover Material	143-286	N/A	plastic or steel	cast iron	cast iron	cast iron
	324-449	N/A	cast iron	cast iron	cast iron	cast iron
Fan Material		N/A	plastic	plastic	plastic	plastic
Terminal Box Material		steel	steel or cast iron	cast iron	cast iron	cast iron
Drive End Shaft Slinger		no	yes	yes	yes	yes
Condensate Drain		weep hole	weep hole	corrosion resistant drain/breather	one-way, corrosion resistant drain	removable plug
Standard Voltage • 3-Phase (Number of Leads)	143-256	230/460 (9)	230/460 (9)	230/460 (9)	230/460 (9)	460 (3)
	284-405	N/A	230/460 (12) YDS	230/460 (12) YDS	230/460 (12) YDS	460 (3)
Reduced Voltage Start Capability	444-449	N/A	460 (6) YDS	460 (6) YDS	230/460 (12) YDS	460 (3)
Tapped Grounding Hole		ground screw	ground screw	lug in t-box	lug in t-box	–
Finish Paint – Color / Type		gray / powder paint frames 143T-145T, enamel spray frames 182T-449T		gray / epoxy	acrylic enamel	gray / epoxy
Meets or Exceeds Spec		N/A	N/A	Ford EM1-1996 (3 lead model)	CEE	GM-7EH & EQ, Ford EM1 and Chrysler NPEM-100

NOTES:

1. Features listed in specific catalog sections supersede the information presented here.



Signature Series **ODP GENERAL PURPOSE**

**115, 208 AND 230 VOLTS • 1-PHASE
FOOT MOUNT AND C-FACE
1/4 TO 10 HP**

Features:

- Durable rolled steel frame construction
- NEMA Design B performance
- Meet or exceed NEMA Service Factors
- Maintenance-free double sealed ball bearings
- Continuous Duty
- Premium Class B Insulation system
- Durable, easy-to-read mylar nameplate
- UL Recognized Component Listing and CSA certified
- Warranty - 18 months from date of manufacture and 12 months from date of installation which ever period expires first.
- Made in U.S.A.



Applications:

For use where water and dust exposure is moderate. Ideally suited for use on pumps, compressors, blowers, fans and other standard industrial applications.

See page 182 for ODP Single Phase motors with built-in overload protection.

FOOT MOUNT

HP	SYN RPM	Frame	SF	Volts	Model Number	Product Number	Notes (see page 306)	Approx Shpg Wght (lbs)	List Price	Mult Sym
1/4	1800	48	1.35	115/208-230	SPD4S0.25T1C6028	LM24457		17	\$265	SP-1
	1200	56	1.35	115/208-230	SRD6S0.25T1C6028	LM24541		17	435	SP-1
1/3	3600	48	1.15	115/208-230	SPD2S0.33T1C6028	LM24467		16	218	SP-1
	1800	56	1.35	115/208-230	SRD4S0.33T1C6028	LM24570		18	278	SP-1
1/2	1200	56	1.15	115/208-230	SRD6S0.33T1C6028	LM24540		24	400	SP-1
	3600	48	1.25	115/208-230	SPD2S0.5T1C6028	LM24465		18	241	SP-1
3/4	1800	56	1.25	115/208-230	SRD4S0.5T1C6028	LM24551		22	306	SP-1
	1200	56	1.25	115/208-230	SRD6S0.5T1C6028	LM24542		30	605	SP-1
1	3600	56	1.25	115/208-230	SRD2S0.75T1C6028	LM24674		21	296	SP-1
	1800	56	1.25	115/208-230	SRD4S0.75T1B6028	LM24502		26	378	SP-1
	1200	56	1.15	115/208-230	SRD6S0.75T1C6028	LM24543		38	683	SP-1
1 1/2	3600	56	1.25	115/208-230	SRD2S1T1B6028	LM24525		23	312	SP-1
	1800	56	1.15	115/208-230	SRD4S1T1C6028	LM24580		30	412	SP-1
	1800	143T*	1.15	115/208-230	SSD4S1T1C6028	LM24675		33	461	SP-1
2	3600	56	1.15	115/208-230	SRD2S1.5T1B6028	LM24524		25	440	SP-1
	3600	143T*	1.15	115/208-230	SSD2S1.5T1C6028	LM24676		30	440	SP-1
	1800	56H*	1.15	115/208-230	SRD4S1.5T1C6028	LM24583		40	536	SP-1
	1800	145T*	1.15	115/208-230	SSD4S1.5T1C6028	LM24687		41	510	SP-1
3	3600	56H*	1.15	115/208-230	SRD2S2T1B6028	LM24624		35	585	SP-1
	3600	145T*	1.15	115/208-230	SSD2S2T1B6028	LM24806		40	626	SP-1
	1800	145T*	1.15	115/208-230	SSD4S2T1B6028	LM24677		49	607	SP-1
5	1800	182T	1.15	115/208-230	SS182D4S2T1C6028	LM24678	D - 131515	65	621	SP-1
	3600	182T	1.15	115/208-230	SS182D2S3T1C6028	LM24679	D - 131636	57	707	SP-1
7 1/2	1800	184T	1.15	115/208-230	SS184D4S3T1C6028	LM24680	D - 131534	78	668	SP-1
	3600	184T	1.15	208-230	SS184D2S5T1C6008	LM24681	D - 131616	78	843	SP-1
10	1800	184T	1.15	208-230	SSD4S5T1B6008	LM24682	D - 131537	87	797	SP-1
	1800	215T	1.15	208-230	SS215D4S7.5T1B6008	LM24683		118	1170	SP-1
10	1800	215T	1.15	208-230	SSD4S10T1B6008	LM24684		140	1659	SP-1

* 56H, 143T and 145T Combination Base with 12 mounting holes.

Prices and data subject to change without notice.

Product numbers in red are STOCK items.

C-FACE WITH FEET

HP	SYN RPM	Frame	SF	Volts	Model Number	Product Number	Notes (see page 306)	Approx Shpg Wght (lbs)	List Price	Mult Sym
1/2	1800	56C	1.25	115/208-230	SRD4S0.5TLC1C6028	LM24697		22	\$378	SP-1
3/4	1800	56C	1.25	115/208-230	SRD4S0.75TLC1B6028	LM24699		26	438	SP-1
1	1800	56C	1.15	115/208-230	SRD4S1TLC1C6028	LM24700		30	500	SP-1
1 1/2	1800	56HC	1.15	115/208-230	SRD4S1.5TLC1C6028	LM24701		40	535	SP-1
2	1800	145TC	1.15	115/208-230	SSD4S2TLC1B6028	LM24698		50	575	SP-1

C-FACE FOOTLESS

HP	SYN RPM	Frame	SF	Volts	Model Number	Product Number	Notes (see page 306)	Approx Shpg Wght (lbs)	List Price	Mult Sym
1/4	1800	56C	1.35	115/208-230	SRD4S0.25TLCN1C6028	LM24569		17	\$264	SP-1
1/3	3600	56C	1.15	115/208-230	SRD2S0.33TLCN1C6028	LM24688		16	230	SP-1
	1800	56C	1.35	115/208-230	SRD4S0.33TLCN1C6028	LM24571		17	303	SP-1
1/2	3600	56C	1.25	115/208-230	SRD2S0.5TLCN1C6028	LM24689		17	241	SP-1
	1800	56C	1.25	115/208-230	SRD4S0.5TLCN1C6028	LM24555		21	346	SP-1
	1200	56C	1.25	115/208-230	SRD6S0.5TLCN1C6028	LM24544		33	629	SP-1
3/4	3600	56C	1.25	115/208-230	SRD2S0.75TLCN1C6028	LM24690		19	313	SP-1
	1800	56C	1.25	115/208-230	SRD4S0.75TLCN1B6028	LM24505		25	419	SP-1
	1200	56C	1.15	115/208-230	SRD6S0.75TLCN1C6028	LM24691		37	703	SP-1
1	3600	56C	1.25	115/208-230	SRD2S1TLCN1B6028	LM24526		24	331	SP-1
	1800	56C	1.15	115/208-230	SRD4S1TLCN1C6028	LM24586		29	442	SP-1
	1800	143TC	1.15	115/208-230	SSD4S1TLCN1C6028	LM24692		32	480	SP-1
1 1/2	3600	56C	1.15	115/208-230	SRD2S1.5TLCN1B6028	LM24523		26	459	SP-1
	1800	56HC	1.15	115/208-230	SRD4S1.5TLCN1C6028	LM24587		39	536	SP-1
2	3600	56HC	1.15	115/208-230	SRD2S2TLCN1B6028	LM24527		35	600	SP-1
	3600	145TC	1.15	115/208-230	SSD2S2TLCN1B6028	LM24693		40	607	SP-1
	1800	56C	1.15	115/208-230	SRD4S2TLCN1B6028	LM24507		45	604	SP-1
1800	145TC	1.15	115/208-230	SSD4S2TLCN1B6028	LM24694		50	608	SP-1	
3	1800	184TC	1.15	115/208-230	SS184D4S3TLCN1C6028	LM24695	D - 131544	85	690	SP-1
5	1800	184TC	1.15	208-230	SSD4S5TLCN1B6008	LM24696	D - 131539	94	967	SP-1

* 56H, 143T and 145T Combination Base with 12 mounting holes.

Prices and data subject to change without notice.

Product numbers in red are STOCK items.



Signature Series **ODP GENERAL PURPOSE
OVERLOAD PROTECTION**

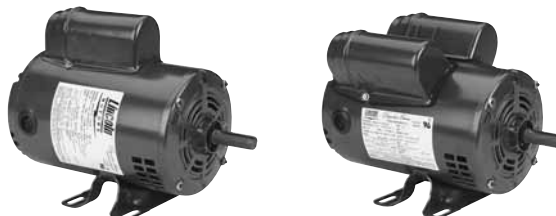
**115, 208 AND 230 VOLTS • 1-PHASE
FOOT MOUNT
1/4 TO 2 HP**

Features:

- Built-in thermal overload protection
- Durable rolled steel frame construction
- NEMA Design B performance
- Meet or exceed NEMA Service Factors
- Maintenance-free double sealed ball bearings
- Continuous Duty
- Premium Class B Insulation system
- Durable, easy-to-read mylar nameplate
- UL Recognized Component Listing and CSA certified
- Warranty - 18 months from date of manufacture and 12 months from date of installation which ever period expires first.
- Made in U.S.A.

Applications:

For use where water and dust exposure is moderate. Ideally suited for use on pumps, compressors, blowers, fans and other standard industrial applications where thermal overload protection is desired.



CAUTION A motor with an auto reset protector (TP2 suffix) must not be used where automatic restarting (after motor cool-down) would endanger personnel or equipment. Such applications should use a manual reset protector (TP1).

FOOT MOUNT

HP	SYN RPM	Frame	SF	Volts	Model Number	Product Number	Notes (see page 306)	Approx Shpg Wght (lbs)	List Price	Mult Sym
1/4	1800	48	1.35	115/208-230	SPD4S0.25T1C6028TP1	LM24458	ML	17	\$268	SP-1
1/3	1800	56	1.35	115/208-230	SRD4S0.33T1C6028TP1	LM24550	ML	18	316	SP-1
	1800	56	1.35	115/208-230	SRD4S0.33T1C6028TP2	LM24549	AT	18	313	SP-1
1/2	1800	56	1.25	115/208-230	SRD4S0.5T1C6028TP1	LM24553	ML	23	375	SP-1
	1800	56	1.25	115/208-230	SRD4S0.5T1C6028TP2	LM24552	AT	22	356	SP-1
3/4	1800	56	1.25	115/208-230	SRD4S0.75T1B6028TP1	LM24504	ML	25	473	SP-1
	1800	56	1.25	115/208-230	SRD4S0.75T1B6028TP2	LM24503	AT	25	436	SP-1
1	1800	56	1.15	115/208-230	SRD4S1T1C6028TP1	LM24582	ML	29	484	SP-1
	1800	56	1.15	115/208-230	SRD4S1T1C6028TP2	LM24581	AT	29	463	SP-1
1 1/2	1800	56H*	1.15	115/208-230	SRD4S1.5T1C6028TP1	LM24585	ML	40	585	SP-1
2	1800	145T*	1.15	115/208-230	SSD4S2T1B6028TP1	LM24685	ML	50	673	SP-1

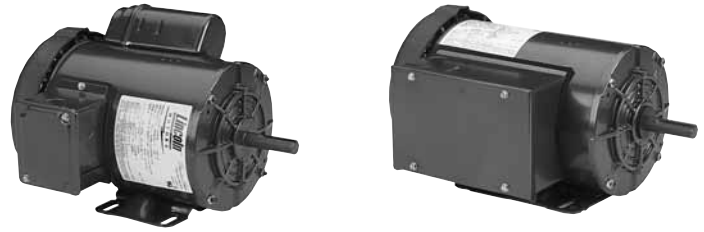
* 56H, 143T and 145T Combination Base with 12 mounting holes.

Prices and data subject to change without notice.

Product numbers in red are STOCK items.

Features:

- Durable rolled steel frame construction
- NEMA Design B performance
- Maintenance-free double sealed ball bearings
- Continuous Duty
- Premium Class B Insulation system
- Durable, easy-to-read mylar nameplate
- UL Recognized Component Listing and CSA certified
- Warranty - 18 months from date of manufacture and 12 months from date of installation which ever period expires first.
- Made in U.S.A.

**Applications:**

For use where exposure to water, dust and dirt exists. Ideally suited for use on pumps, compressors, fans, conveyors and other industrial equipment.

See page 189 for TEFC Single Phase motors with built-in overload protection.

FOOT MOUNT

HP	SYN RPM	Frame	SF	Volts	Model Number	Product Number	Notes (see page 306)	Approx Shpg Wght (lbs)	List Price	Mult Sym
1/4	1800	56	1.15	115/208-230	SRF4S0.25T1C6028	LM24606		18	\$350	SP-1
	1200	56	1.15	115/208-230	SRF6S0.25T1C6028	LM24545		25	436	SP-1
1/3	3600	56	1.15	115/208-230	SRF2S0.33T1C6028	LM24705		19	255	SP-1
	1800	56	1.15	115/208-230	SRF4S0.33T1C6028	LM24597		19	298	SP-1
	1200	56	1.15	115/208-230	SRF6S0.33T1C6028	LM24546		28	457	SP-1
1/2	3600	56	1.15	115/208-230	SRF2S0.5T1C6028	LM24706		23	293	SP-1
	1800	56	1.15	115/208-230	SRF4S0.5T1C6028	LM24627		24	341	SP-1
	1200	56	1.15	115/208-230	SRF6S0.5T1B6028	LM24496		36	650	SP-1
3/4	3600	56	1.15	115/208-230	SRF2S0.75T1C6028	LM24707		30	325	SP-1
	1800	56	1.15	115/208-230	SRF4S0.75T1C6028	LM24607		30	404	SP-1
	1200	56	1.15	115/208-230	SRF6S0.75T1B6028	LM24497		41	752	SP-1
1	3600	56	1.15	115/208-230	SRF2S1T1C6028	LM24708		31	381	SP-1
	1800	56	1.15	115/208-230	SRF4S1T1C6028	LM24610		32	466	SP-1
	1800	143T*	1.15	115/208-230	SSF4S1T1C6028	LM24709		34	513	SP-1
1 1/2	3600	56H*	1.15	115/208-230	SRF2S1.5T1B6028	LM24531		35	500	SP-1
	3600	143T*	1.15	115/208-230	SSF2S1.5T1B6028	LM24710		39	500	SP-1
	1800	56H*	1.15	115/208-230	SRF4S1.5T1B6028	LM24513		41	528	SP-1
	1800	145T*	1.15	115/208-230	SSF4S1.5T1B6028	LM24711		42	528	SP-1
2	3600	56H*	1.15	115/208-230	SRF2S2T1B6028	LM24533		40	653	SP-1
	3600	145T*	1.15	115/208-230	SSF2S2T1B6028	LM24712		41	653	SP-1
	1800	182T	1.15	115/208-230	SS182F4S2T1B6028	LM24713	D - 131509	54	749	SP-1
3	3600	145T*	1.15	208-230	SS145F2S3T1B6008	LM24714		48	704	SP-1
	3600	182T	1.00	115/208-230	SSF2S3T1B6028	LM24715	D - 131637	69	765	SP-1
	1800	184T	1.00	115/208-230	SS184F4S3T1C6028	LM24716	D - 131533	99	875	SP-1
5	3600	184T	1.00	208-230	SSF2S5T1B6008	LM24717	D - 131549	98	1057	SP-1
	1800	184T	1.00	208-230	SSF4S5T1B6008	LM24718	D - 131538	98	1043	SP-1
7 1/2	3600	213T	1.00	208-230	SSF2S7.5T1B6008	LM24719		120	1430	SP-1
	1800	215T	1.00	208-230	SS215F4S7.5T1B6008	LM24720		133	1380	SP-1
10	3600	215T	1.00	208-230	SSF2S10T1B6008	LM24721		138	1755	SP-1
	1800	215T	1.00	230	SSF4S10T1B66	LM24722		155	1791	SP-1

* 56H, 143T and 145T Combination Base with 12 mounting holes.

Prices and data subject to change without notice.

Product numbers in red are STOCK items.



Signature Series **TEFC GENERAL PURPOSE**

**115, 208 AND 230 VOLTS • 1-PHASE
FOOT MOUNT AND C-FACE
1/4 TO 10 HP**

C-FACE WITH FEET

HP	SYN RPM	Frame	SF	Volts	Model Number	Product Number	Notes (see page 306)	Approx Shpg Wght (lbs)	List Price	Mult Sym
1/4	1800	56C	1.15	115/208-230	SRF4S0.25TLC1C6028	LM24723		17	\$312	SP-1
1/3	3600	56C	1.15	115/208-230	SRF2S0.33TLC1C6028	LM24724		21	308	SP-1
	1800	56C	1.15	115/208-230	SRF4S0.33TLC1C6028	LM24600		19	331	SP-1
1/2	3600	56C	1.15	115/208-230	SRF2S0.5TLC1C6028	LM24725		23	313	SP-1
	1800	56C	1.15	115/208-230	SRF4S0.5TLC1C6028	LM24628		24	401	SP-1
3/4	3600	56C	1.15	115/208-230	SRF2S0.75TLC1C6028	LM24726		30	353	SP-1
	1800	56C	1.15	115/208-230	SRF4S0.75TLC1C6028	LM24615		30	481	SP-1
1	3600	56C	1.15	115/208-230	SRF2S1TLC1C6028	LM24727		31	405	SP-1
	1800	56C	1.15	115/208-230	SRF4S1TLC1C6028	LM24616		32	543	SP-1
1 1/2	3600	56HC	1.15	115/208-230	SRF2S1.5TLC1B6028	LM24539		35	527	SP-1
	1800	56HC	1.15	115/208-230	SRF4S1.5TLC1B6028	LM24728		41	642	SP-1
2	3600	56HC	1.15	115/208-230	SRF2S2TLC1B6028	LM24729		40	692	SP-1
	3600	145TC	1.15	115/208-230	SSF2S2TLC1B6028	LM24730		40	692	SP-1
	1800	145TC	1.15	115/230	SSF4S2TLC1B6028	LM24731		52	871	SP-1
3	3600	145TC	1.15	208-230	SS145F2S3TLC1B6008TP1	LM29441		48	769	SP-1

C-FACE FOOTLESS

HP	SYN RPM	Frame	SF	Volts	Model Number	Product Number	Notes (see page 306)	Approx Shpg Wght (lbs)	List Price	Mult Sym
1/4	1800	56C	1.15	115/208-230	SRN4S0.25TLCN1C6028	LM24733		18	\$279	SP-1
1/3	3600	56C	1.15	115/208-230	SRN2S0.33TLCN1C6028	LM24734		20	277	SP-1
	1800	56C	1.15	115/208-230	SRF4S0.33TLCN1C6028	LM24598		19	303	SP-1
	1200	56C	1.15	115/208-230	SRF6S0.33TLCN1C6028	LM24735		28	463	SP-1
1/2	3600	56C	1.15	115/208-230	SRF2S0.5TLCN1C6028	LM24736		23	315	SP-1
	1800	56C	1.15	115/208-230	SRF4S0.5TLCN1C6028	LM24599		24	359	SP-1
	1200	56C	1.15	115/208-230	SRF6S0.5TLCN1B6028	LM24737		36	499	SP-1
3/4	3600	56C	1.15	115/208-230	SRF2S0.75TLCN1C6028	LM24738		30	330	SP-1
	1800	56C	1.15	115/208-230	SRF4S0.75TLCN1C6028	LM24613		30	383	SP-1
	1200	56C	1.15	115/208-230	SRF6S0.75TLCN1B6028	LM24739		41	523	SP-1
1	3600	56C	1.15	115/208-230	SRF2S1TLCN1C6028	LM24740		31	391	SP-1
	1800	56C	1.15	115/208-230	SRF4S1TLCN1C6028	LM24614		32	409	SP-1
	1800	143TC	1.15	115/208-230	SSF4S1TLCN1C6028	LM24741		35	409	SP-1
1 1/2	3600	56C	1.15	115/208-230	SRF2S1.5TLCN1B6028	LM24535		35	428	SP-1
	1800	56C	1.15	115/208-230	SRF4S1.5TLCN1B6028	LM24622		41	435	SP-1
2	3600	56C	1.15	115/208-230	SRF2S2TLCN1B6028	LM24530		40	488	SP-1
3	3600	145TC	1.15	208-230	SS145F2S3TLCN1B6008	LM24742		48	558	SP-1

* 56H, 143T and 145T Combination Base with 12 mounting holes.
Prices and data subject to change without notice.

Product numbers in red are STOCK items.

115, 208 AND 230 VOLTS • 1-PHASE
FOOT MOUNT
1/3 TO 3 HP**Features:**

- Built-in thermal overload protection
- Durable rolled steel frame construction
- NEMA Design B performance
- Maintenance-free double sealed ball bearings
- Continuous Duty
- Premium Class B Insulation system
- Durable, easy-to-read mylar nameplate
- UL Recognized Component Listing and CSA certified
- Warranty - 18 months from date of manufacture and 12 months from date of installation which ever period expires first.
- Made in U.S.A.

Applications:

For use where exposure to water, dust and dirt exists. Ideally suited for use on pumps, compressors, fans, conveyors and other industrial equipment where thermal overload protection is desired.



CAUTION A motor with an auto reset protector (TP2 suffix) must not be used where automatic restarting (after motor cool-down) would endanger personnel or equipment. Such applications should use a manual reset protector (TP1).

FOOT MOUNT

HP	SYN RPM	Frame	SF	Volts	Model Number	Product Number	Notes (see page 306)	Approx Shpg Wght (lbs)	List Price	Mult Sym
1/3	1800	56	1.15	115/208-230	SRF4S0.33T1C6028TP1	LM24602	ML	20	\$341	SP-1
	1800	56	1.15	115/208-230	SRF4S0.33T1C6028TP2	LM24601	AT	19	349	SP-1
1/2	3600	56	1.15	115/208-230	SRF2S0.5T1C6028TP1	LM24743	ML	23	313	SP-1
	1800	56	1.15	115/208-230	SRF4S0.5T1C6028TP1	LM24604	ML	24	400	SP-1
	1800	56	1.15	115/208-230	SRF4S0.5T1C6028TP2	LM24603	AT	24	407	SP-1
3/4	3600	56	1.15	115/208-230	SRF2S0.75T1C6028TP1	LM24744	ML	26	346	SP-1
	1800	56	1.15	115/208-230	SRF4S0.75T1C6028TP1	LM24609	ML	30	471	SP-1
	1800	56	1.15	115/208-230	SRF4S0.75T1C6028TP2	LM24608	AT	30	495	SP-1
1	3600	56	1.15	115/208-230	SRF2S1T1C6028TP1	LM24745	ML	31	428	SP-1
	1800	56	1.15	115/208-230	SRF4S1T1C6028TP1	LM24612	ML	32	536	SP-1
	1800	56	1.15	115/208-230	SRF4S1T1C6028TP2	LM24611	AT	32	555	SP-1
1 1/2	3600	56H*	1.15	115/208-230	SRF2S1.5T1B6028TP1	LM24532	ML	35	586	SP-1
	1800	56H*	1.15	115/208-230	SRF4S1.5T1B6028TP1	LM24515	ML	41	607	SP-1
	1800	56H*	1.15	115/208-230	SRF4S1.5T1B6028TP2	LM24514	AT	41	659	SP-1
	1800	145T	1.15	115/208-230	SSF4S1.5T1B6028TP1	LM24746	ML	43	607	SP-1
2	3600	56H*	1.15	115/208-230	SRF2S2T1B6028TP1	LM24534	ML	40	687	SP-1
	3600	145T	1.15	115/208-230	SSF2S2T1B6028TP1	LM24747	ML	40	687	SP-1
3	3600	145T	1.15	208-230	SS145F2S3T1B6028TP1	LM24748	ML	48	704	SP-1

Prices and data subject to change without notice.

Product numbers in red are STOCK items.



ODP

**208, 230/460 & 460 VOLTS • 3-PHASE
FOOT MOUNT AND C-FACE
1/4 TO 500 HP**

Signature Series **MOTORS**

Frames 48 - 256T

Features:

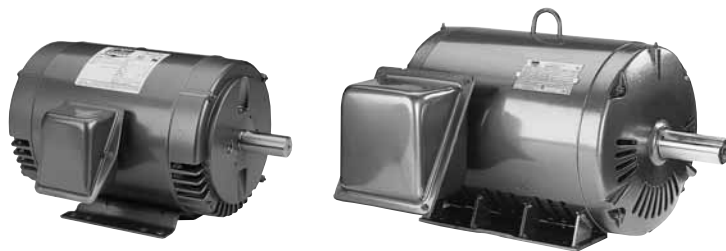
- Industry leading 1.25 service factor*
- Two levels of premium efficiency - P efficiency codes meet and B efficiency codes exceed the energy efficiency requirements of the United States and Canada.
- Nameplated for 50 Hz and 208 V/60 Hz Operation – See “Notes” column.
- Continuous Duty
- Inverter-Rated
- Premium Insulation Systems –
48 & 56 frames: Class B
143T-215T frames: Class F
- UL Recognized Component Listing and CSA
- Warranty (sine-wave power & inverter power) –
48 & 56 frames: 18 months from date of manufacture and 12 months from date of installation which ever period expires first.
143T-256T frames: 30 months from date of manufacture and 24 months from date of installation which ever period expires first.

Applications:

For use where water and dust exposure is minimal. Ideally suited for use on pumps, compressors, blowers, fans and other standard industrial applications.



* P and B efficiency codes.
Information subject to change without notice.



ULTIMATE E® MOTORS

Frames 284T - 449T

Features:

- Industry leading 1.25 service factor through 200 HP*
- Superior speed-torque curves - most models* nameplated Design B & C - see “Notes” column.
- Two levels of premium efficiency - P efficiency codes meet and B efficiency codes exceed the energy efficiency requirements of the United States and Canada.
- Nameplated for 50 Hz and 208 V/60 Hz Operation – See “Notes” column.
- Continuous Duty
- Inverter-Rated
- Premium Class F Plus Insulation system
- Y-delta start capability frames 284T-449T
- UL Recognized Component Listing and CSA certified
- Warranty (sine-wave power) –
284T-449T frames: 42 months from date of manufacture and 36 months from date of installation which ever period expires first.
Inverter Power: 30 months from date of manufacture and 24 months from date of installation which ever period expires first.
- Shielded ball bearing for direct coupled applications. Contact your local sales office for belted applications.

FOOT MOUNT

HP	SYN RPM	Frame	FL Nom Eff (%)	SF	Volts	Model Number	Product Number	Notes (see page 306)	Approx Shpg Wght (lbs)	List Price	Mult Sym
1/4	1800	48	62.0	1.35	230/460	SPD4S0.25T61	LM24866	H, V	19	\$236	LT-1A
1/3	3600	56	66.0	1.35	230/460	SRD2S0.33T61	LM24867	H, V	18	241	LT-1A
	1800	56	67.0	1.35	230/460	SRD4S0.33T61	LM24152	H, W	15	255	LT-1A
	1200	56	62.0	1.35	230/460	SRD6S0.33T61	LM24868	H, W	19	405	LT-1A
1/2	3600	56	66.0	1.25	230/460	SRD2S0.5T61	LM24869	H, V	22	255	LT-1A
	1800	56	70.0	1.25	230/460	SRD4S0.5T61	LM24098	H, W	17	294	LT-1A
	1200	56	68.0	1.25	230/460	SRD6S0.5T61	LM24146	H	22	447	LT-1A
3/4	3600	56	74.0	1.25	230/460	SRD2S0.75T61	LM24870	H, V	21	301	LT-1A
	1800	56	75.5	1.25	230/460	SRD4S0.75T61	LM24099	H, V	20	326	LT-1A
	1200	56	76.5	1.15	230/460	SRD6S0.75T61	LM24162	H, W	26	484	LT-1A
1	3600	56	74.0	1.25	230/460	SRD2S1T61	LM24155	H, W	24	349	LT-1A
	1800	56	76.5	1.15	230/460	SRD4S1T61	LM24111	H	22	339	LT-1A
	1800	143T	84.0	1.15	230/460	SSD4B1T61	LM24871	H, V	35	494	LT-1E
	1800	143T	82.5	1.25	230/460	SSD4P1T61	LM24116	H, S, W	34	353	LT-1B
	1200	56H	75.5	1.15	230/460	SRD6S1T61	LM24872	H, W	29	461	LT-1A
	1200	145T	80.0	1.25	230/460	SSD6P1T61	LM24123	K, V	48	500	LT-1B
	900	182T	72.0	1.15	230/460	SSD8S1T61	LM24873	H	55	623	LT-1A
	1 1/2	3600	56	80.0	1.15	230/460	SRD2S1.5T61	LM24874	H, W	23	391
3600		143T	82.5	1.25	230/460	SSD2P1.5T61	LM24150	H, V	28	421	LT-1B
1800		56H	80.0	1.15	230/460	SRD4S1.5T61	LM24117	H, W	28	359	LT-1A
1800		145T	85.5	1.15	230/460	SSD4B1.5T61	LM24875	H, V	45	517	LT-1E
1800		145T	84.0	1.25	230/460	SSD4P1.5T61	LM24101	H, V	40	373	LT-1B
1200		182T	84.0	1.15	230/460	SSD6P1.5T61	LM24876	D - G130010	80	590	LT-1B
900		184T	77.0	1.15	230/460	SSD8S1.5T61	LM24238	K	88	756	LT-1A

Prices and data subject to change without notice.

Product numbers in red are STOCK items.

ODP
208, 230/460 & 460 VOLTS • 3-PHASE
FOOT MOUNT AND C-FACE
1/4 TO 500 HP



FOOT MOUNT (cont'd)

HP	SYN RPM	Frame	FL Nom Eff (%)	SF	Volts	Model Number	Product Number	Notes (see page 306)	Approx Shpg Wght (lbs)	List Price	Mult Sym
2	3600	56H	80.0	1.15	230/460	SRD2S2T61	LM24877	H	25	\$457	LT-1A
	3600	145T	84.0	1.25	230/460	SSD2P2T61	LM24100	H	28	496	LT-1B
	1800	56H	81.5	1.15	230/460	SRD4S2T61	LM24106	H	36	387	LT-1A
	1800	145T	85.5	1.25	230/460	SSD4B2T61	LM24169	C, H, S, W	48	585	LT-1E
	1800	145T	84.0	1.25	230/460	SSD4P2T61	LM24082	H, W	44	402	LT-1B
	1200	184T	85.5	1.25	230/460	SSD6P2T61	LM24237	D - G130012	74	577	LT-1B
	900	213T	80.0	1.15	230/460	SSD8S2T61	LM24225	H	106	994	LT-1A
3	3600	56H	84.0	1.15	230/460	SRD2S3T61	LM24878	H	33	436	LT-1A
	3600	145T	84.0	1.25	230/460	SSD2P3T61	LM24120	H, W	33	454	LT-1B
	1800	182T	89.5	1.25	230/460	SSD4B3T61	LM24222	D - G131549	56	598	LT-1E
	1800	182T	86.5	1.25	230/460	SSD4P3T61AP21	LM24177	S, X	83	439	LT-1B
	1200	213T	86.5	1.25	230/460	SSD6P3T61	LM24200	K, V	104	820	LT-1B
5	900	215T	78.5	1.15	230/460	SSD8S3T61	LM24228	H, Q	134	1184	LT-1A
	3600	182T	86.6	1.25	230/460	SSD2P5T61	LM24239	D - G130282	88	511	LT-1B
	1800	184T	89.5	1.25	230/460	SSD4B5T61	LM24202	D - 131520	91	670	LT-1E
	1800	184T	87.5	1.25	230/460	SSD4P5T61AP21	LM24172	K, V	87	487	LT-1B
	1200	215T	87.5	1.25	230/460	SSD6P5T61	LM24244	K, V	135	891	LT-1B
7 1/2	900	254T	82.5	1.15	230/460	SSD8S5T61	LM24241	S	175	1636	LT-1A
	3600	184T	87.5	1.15	230/460	SSD2P7.5T61	LM24181	D - G130284	88	704	LT-1B
	1800	213T	91.0	1.25	230/460	SSD4B7.5T61	LM24194	H, V	125	944	LT-1E
	1800	213T	88.5	1.15	230/460	SSD4P7.5T61AP21	LM24173	H, S, V	121	690	LT-1B
	1200	254T	88.5	1.25	230/460	SSD6P7.5T61	LM24214	K, V	150	1102	LT-1B
10	900	256T	84.0	1.15	230/460	SSD8S7.5T61	LM24243	H	167	2081	LT-1A
	3600	213T	88.5	1.25	230/460	SSD2P10T61	LM24174	H, W	138	882	LT-1B
	1800	215T	91.0	1.25	230/460	SSD4B10T61	LM24193	H, V	155	1054	LT-1E
	1800	215T	89.5	1.15	230/460	SSD4P10T61AP21	LM24171	H, S	138	847	LT-1B
	1200	256T	90.2	1.25	230/460	SSD6P10T61	LM24233	K, W	221	1425	LT-1B
15	3600	215T	90.2	1.25	230/460	SSD2P15T61	LM24178	H, W	135	1179	LT-1B
	1800	254T	93.0	1.25	230/460	CCD4B15T61	LM24190	H, V	300	1898	LT-1E
	1800	254T	91.0	1.25	230/460	SSD4P15T61	LM24175	H, W	215	1225	LT-1B
	1200	284T	91.7	1.25	230/460	CCD6B15T61Y	LM31244		420	2375	LT-1E
	1200	284T	90.2	1.25	230/460	CCD6P15T61Y	LM29574		350	2017	LT-1C
20	3600	254T	91.0	1.25	230/460	SSD2P20T61	LM24187	H, W	161	1484	LT-1B
	1800	256T	92.4	1.25	230/460	CCD4B20T61	LM24199	H, S, V	350	1814	LT-1E
	1800	256T	91.0	1.25	230/460	SSD4P20T61	LM24179	A, H, W	233	1539	LT-1B
	1200	286T	91.0	1.25	230/460	CCD6P20T61Y	LM29575		375	2795	LT-1C
	1200	286T	92.4	1.25	230/460	CCD6B20T61Y	LM30273		462	2852	LT-1E
25	3600	256T	91.0	1.25	230/460	SSD2P25T61	LM24184	H, Q	200	1807	LT-1B
	1800	284T	93.0	1.25	230/460	CCD4B25T61Y	LM29576		350	2503	LT-1E
	1800	284T	91.7	1.25	230/460	CCD4P25T61Y	LM30118		348	2068	LT-1C
	1800	284TS	91.7	1.25	230/460	CCD4P25TS61Y	LM29937		348	2068	LT-1C
	1200	324T	92.4	1.25	230/460	SD6B25T61Y	LM13809	C, K, S	469	3781	LT-1E
30	1200	324T	91.7	1.25	230/460	SD6P25T61Y	LM13749	C, K	469	4873	LT-1C
	3600	284TS	93.0	1.25	230/460	SD2B30TS61Y	LM13966	H, M	348	4489	LT-1E
	3600	284TS	91.0	1.25	230/460	SD2P30TS61Y	LM13954	H, Q	348	3311	LT-1C
	3600	284T	91.0	1.25	230/460	SD2P30T61Y	LM20099	H, Q	348	3397	LT-1C
	1800	286T	93.6	1.25	230/460	CCD4B30T61Y	LM29577		400	2887	LT-1
	1800	286T	92.4	1.25	230/460	CCD4P30T61Y	LM29923		400	2398	LT-1C
	1800	286TS	92.4	1.25	230/460	CCD4P30TS61Y	LM29935		400	2398	LT-1C
	1200	326T	93.6	1.25	230/460	SD6B30T61Y	LM13810	C, K, Q	522	5254	LT-1E
	1200	326T	92.4	1.25	230/460	SD6P30T61Y	LM13750	C, K, Q	522	5039	LT-1C

Prices and data subject to change without notice.

Product numbers in red are STOCK items.



ODP

**208, 230/460 & 460 VOLTS • 3-PHASE
FOOT MOUNT AND C-FACE
1/4 TO 500 HP**

FOOT MOUNT (cont'd)

HP	SYN RPM	Frame	FL Nom Eff (%)	SF	Volts	Model Number	Product Number	Notes (see page 306)	Approx Shpg Wght (lbs)	List Price	Mult Sym	
40	3600	286TS	93.6	1.25	230/460	SD2B40TS61Y	LM13969	H, N	389	\$4757	LT-1E	
	3600	286TS	91.7	1.25	230/460	SD2P40TS61Y	LM13957	H, Q	389	3650	LT-1C	
	3600	286T	91.7	1.25	230/460	SD2P40T61Y	LM18536	H, Q	389	3650	LT-1C	
	1800	324T	93.6	1.25	230/460	SD4B40T61Y	LM13811	C, P, S	469	5188	LT-1E	
	1800	324T	93.0	1.25	230/460	SD4P40T61Y	LM13751	C, H, M	469	3138	LT-1C	
	1800	324TS	93.0	1.25	230/460	SD4P40TS61Y	LM18540	C, H, M	469	3138	LT-1C	
	1200	364T	94.1	1.25	230/460	SD6B40T61Y	LM13924	C, P	712	6012	LT-1E	
	1200	364T	93.0	1.25	230/460	SD6P40T61Y	LM14804	C, K, Q	712	4845	LT-1C	
	50	3600	324TS	94.1	1.25	230/460	SD2B50TS61Y	LM13812	H, M	469	4744	LT-1E
		3600	324TS	92.4	1.25	230/460	SD2P50TS61Y	LM13752	H, P	469	4289	LT-1C
		3600	324T	92.4	1.25	230/460	SD2P50T61Y	LM20098	H, P	469	4289	LT-1C
		1800	326T	95.0	1.25	230/460	SD4B50T61Y	LM13813	C, P, S	522	5235	LT-1E
1800		326T	93.0	1.25	230/460	SD4P50T61Y	LM12831	C, H, M	522	3505	LT-1C	
1800		326TS	93.0	1.25	230/460	SD4P50TS61Y	LM18542	C, H, M	522	3505	LT-1C	
1200		365T	94.5	1.25	230/460	SD6B50T61Y	LM13927	K	763	6787	LT-1E	
1200		365T	93.0	1.25	230/460	SD6P50T61Y	LM14807	C, K, Q	763	5653	LT-1C	
60		3600	326TS	94.5	1.25	230/460	SD2B60TS61Y	LM13814	H, M	522	4872	LT-1E
		3600	326TS	93.0	1.25	230/460	SD2P60TS61Y	LM13753	H, P	522	4225	LT-1C
		3600	326T	93.0	1.25	230/460	SD2P60T61Y	LM18543	H, P	522	4353	LT-1C
		1800	364T	95.0	1.25	230/460	SD4B60T61Y	LM14813	C, V, S	712	7154	LT-1E
	1800	364T	93.6	1.25	230/460	SD4P60T61Y	LM14803	H, N	712	4540	LT-1C	
	1800	364TS	93.6	1.25	230/460	SD4P60TS61Y	LM18725	H, N	712	4540	LT-1C	
	1200	404T	94.5	1.25	230/460	SD6B60T61Y	LM13944	C, K, P	882	7786	LT-1E	
	1200	404T	93.6	1.25	230/460	SD6P60T61Y	LM13934	K, S	882	6819	LT-1D	
	75	3600	364TS	94.5	1.25	230/460	SD2B75TS61Y	LM14812	H, S	712	7866	LT-1E
		3600	364TS	93.0	1.25	230/460	SD2P75TS61Y	LM14802	H, Q	712	6872	LT-1C
		3600	364T	93.0	1.25	230/460	SD2P75T61Y	LM18731	H, Q	712	6872	LT-1C
		1800	365T	95.0	1.25	230/460	SD4B75T61Y	LM14815	C, H, M	763	7322	LT-1E
1800		365T	94.1	1.25	230/460	SD4P75T61Y	LM14806	H, Q	763	4748	LT-1C	
1800		365TS	94.1	1.25	230/460	SD4P75TS61Y	LM18727	H, Q	763	4748	LT-1C	
1200		405T	94.5	1.25	230/460	SD6B75T61Y	LM13947	P, S	958	9983	LT-1E	
1200		405T	93.6	1.25	230/460	SD6P75T61Y	LM13937	K, Q	958	8117	LT-1D	
100		3600	365TS	95.0	1.25	230/460	SD2B100TS61Y	LM14814	H, M	763	8227	LT-1E
		3600	365TS	93.0	1.25	230/460	SD2P100TS61Y	LM14805	H, Q	763	6893	LT-1C
		3600	365T	93.0	1.25	230/460	SD2P100T61Y	LM20096	H, Q	763	6893	LT-1C
		1800	404T	95.4	1.25	230/460	SD4B100T61Y	LM13943	P, S	882	7519	LT-1E
	1800	404T	94.1	1.25	230/460	SD4P100T61Y	LM13933	◆	882	6005	LT-1D	
	1800	404TS	94.1	1.25	230/460	SD4P100TS61Y	LM18729	◆	882	6005	LT-1D	
	1200	444T	95.4	1.15	460	SD6B100T64Y	LM13815	C, U	1277	11445	LT-1E	
	1200	444T	94.1	1.15	460	SD6P100T64Y	LM13754	U	1277	9101	LT-1D	
	125	3600	404TS	95.0	1.25	230/460	SD2B125TS61Y	LM13942	H, M	882	10575	LT-1E
		3600	404TS	93.6	1.25	230/460	SD2P125TS61Y	LM13932	H, M	882	8371	LT-1D
		3600	404T	93.6	1.25	230/460	SD2P125T61Y	LM20097	H, M	882	8371	LT-1D
		1800	405T	95.4	1.25	230/460	SD4B125T61Y	LM13946	C, H, M	958	8539	LT-1E
1800		405T	94.5	1.25	230/460	SD4P125T61Y	LM13936	H, N	958	6914	LT-1D	
1800		405TS	94.5	1.25	230/460	SD4P125TS61Y	LM18748	H, N	958	6914	LT-1D	
1200		445T	95.4	1.15	460	SD6B125T64Y	LM13816	U	1438	12409	LT-1E	
1200		445T	94.1	1.15	460	SD6P125T64Y	LM13755	C, U	1938	9826	LT-1D	
150		3600	405TS	95.4	1.25	230/460	SD2B150TS61Y	LM13945	H	958	12533	LT-1E
		3600	405TS	93.6	1.25	230/460	SD2P150TS61Y	LM13935	H, N	958	9718	LT-1D
		1800	444T	95.8	1.25	460	SD4B150T64Y	LM13817	C, M	1277	11408	LT-1E
		1800	444T	95.0	1.25	460	SD4P150T64Y	LM13756	C, T	1277	9307	LT-1D
	1800	444TS	95.0	1.25	460	SD4P150TS64Y	LM18752	C, T	1277	9307	LT-1D	
	1200	447T	95.8	1.15	460	SD6B150T64Y	LM16236	C, T	1745	15265	LT-1E	
	1200	445T	95.4	1.15	460	SD6B150T64Y	LM13818	C, U	1438	15563	LT-1E	
	1200	445T	94.5	1.15	460	SD6P150T64Y	LM13757	C	1438	11740	LT-1D	

Prices and data subject to change without notice.

† Discontinued

Product numbers in red are STOCK items.

ODP
208, 230/460 & 460 VOLTS • 3-PHASE
FOOT MOUNT AND C-FACE
1/4 TO 500 HP



FOOT MOUNT (cont'd)

HP	SYN RPM	Frame	FL Nom Eff (%)	SF	Volts	Model Number	Product Number	Notes (see page 306)	Approx Shpg Wght (lbs)	List Price	Mult Sym	
200	3600	444TS	95.8	1.25	460	SD2B200TS64Y	LM13819	M	1277	\$15360	LT-1E	
	3600	444TS	94.5	1.25	460	SD2P200TS64Y	LM13758	N	1277	12164	LT-1D	
	1800	445T	96.2	1.25	460	SD4B200T64Y	LM13820	C, T, S	1438	14031	LT-1E	
	1800	445T	95.0	1.25	460	SD4P200T64Y	LM13759	C, N	1449	10897	LT-1D	
	1800	445TS	95.0	1.25	460	SD4P200TS64Y	LM18724	C, N	1449	10897	LT-1D	
	1200	449T	95.8	1.15	460	SD6B200T64Y	LM16239	C, U	2112	18281	LT-1E	
	1200	447T	95.4	1.15	460	SD6B200T64Y	LM13821	C, U	1745	17408	LT-1E	
	1200	447T	94.5	1.15	460	SD6P200T64Y	LM13760	C	1745	13785	LT-1D	
	1200	449T	94.5	1.15	460	SD6P200T64Y	LM16228	C, U	2112	13785	LT-1D	
	250	3600	445TS	95.8	1.15	460	SD2B250TS64Y	LM13822	N	1438	20482	LT-1E
		3600	445TS	94.5	1.15	460	SD2P250TS64Y	LM13761	U	1438	16380	LT-1D
		1800	445T	96.2	1.15	460	SD4B250T64Y	LM13823	N	1438	19648	LT-1E
1800		447T	96.2	1.15	460	SD4B250T64Y	LM16235	M	1745	20030	LT-1E	
1800		445T	95.4	1.15	460	SD4P250T64Y	LM13762	S	1438	15108	LT-1D	
1800		445TS	95.4	1.15	460	SD4P250TS64Y	LM15466	S	1438	15108	LT-1D	
1800		445T	94.5	1.00	460	SD4S250T64Y	LM04479		1380	11551	LT-1A	
1200		447T	95.4	1.00	460	SD6B250T64Y	LM13824		1745	23438	LT-1E	
1200		449T	95.4	1.15	460	SD6B250T64Y	LM17958		2112	24612	LT-1E	
300		3600	447TS	95.8	1.15	460	SD2B300TS64Y	LM13825		1745	24129	LT-1E
	3600	447TS	95.0	1.15	460	SD2P300TS64Y	LM13764	S	1745	19108	LT-1D	
	1800	447T	96.2	1.15	460	SD4B300T64Y	LM13826	N	1745	20336	LT-1E	
	1800	449T	96.5	1.15	460	SD4B300T64Y	LM16238	N	2112	21352	LT-1E	
	1800	447T	95.4	1.15	460	SD4P300T64Y	LM13765	S	1745	15950	LT-1D	
	1800	449T	95.4	1.15	460	SD4P300T64Y	LM16227	N	2112	17101	LT-1D	
	1800	447TS	95.4	1.15	460	SD4P300TS64Y	LM22758		1745	15950	LT-1D	
	350	3600	447TS	95.8	1.15	460	SD2B350TS64Y	LM13828	N	1745	27314	LT-1E
		3600	449TS	95.8	1.15	460	SD2B350TS64Y	LM16237	N	2112	28679	LT-1E
		3600	447TS	95.0	1.15	460	SD2P350TS64Y	LM13767	U	1745	21630	LT-1D
3600		449TS	95.0	1.15	460	SD2P350TS64Y	LM16226	U	2112	22714	LT-1D	
1800		447T	96.2	1.15	460	SD4B350T64Y	LM13829	S	1745	25540	LT-1E	
1800		449T	96.2	1.15	460	SD4B350T64Y	LM17957	U	2112	26818	LT-1E	
1800		447T	95.0	1.00	460	SD4P350T64Y	LM13768		1745	18355	LT-1D	
1800		449T	95.4	1.15	460	SD4P350T64Y	LM17954	U	2112	19644	LT-1D	
1800		447TS	95.0	1.00	460	SD4P350TS64Y	LM15159		1745	18355	LT-1D	
400		3600	449TS	96.2	1.15	460	SD2B400TS64Y	LM13831	N	2112	31572	LT-1E
	3600	449TS	95.4	1.15	460	SD2P400TS64Y	LM13770		2112	24468	LT-1D	
	1800	449T	95.8	1.15	460	SD4B400T64Y	LM13832	U	2112	30638	LT-1E	
	1800	449T	95.4	1.15	460	SD4P400T64Y	LM13771		2112	22931	LT-1D	
	1800	449TS	95.4	1.15	460	SD4P400TS64Y	LM22759		2112	22931	LT-1D	
	450	3600	449TS	95.8	1.15	460	CCD2B450TS64Y	TBD		2544	37650	LT-1E
3600		449TS	95.8	1.00	460	CCD2P450TS64Y	TBD		2534	25443	LT-1D	
1800		449T	96.2	1.00	460	CCD4B450T64Y	TBD		2554	37650	LT-1E	
1800		449T	95.8	1.00	460	CCD4P450T64Y	LM30874		2554	25443	LT-1D	
500	3600	449TS	96.5	1.15	460	CCD2B500TS64Y	TBD		2542	45555	LT-1E	

C-FACE WITH FEET

HP	SYN RPM	Frame	FL Nom Eff (%)	SF	Volts	Model Number	Product Number	Notes (see page 306)	Approx Shpg Wght (lbs)	List Price	Mult Sym
1/3	1800	56C	67.0	1.35	230/460	SRD4S0.33TC61	LM24277	H, W	15	\$292	LT-1A
1/2	3600	56C	66.0	1.25	230/460	SRD2S0.5TC61	LM24879	H, V	18	294	LT-1A
	1800	56C	70.0	1.25	230/460	SRD4S0.5TC61	LM24880	H, W	17	331	LT-1A
	1200	56C	68.0	1.25	230/460	SRD6S0.5TC61	LM24881	H	33	485	LT-1A

Prices and data subject to change without notice.

Product numbers in red are STOCK items.



ODP

**208, 230/460 & 460 VOLTS • 3-PHASE
FOOT MOUNT AND C-FACE
1/4 TO 500 HP**

C-FACE WITH FEET (cont'd)

HP	SYN RPM	Frame	FL Nom Eff (%)	SF	Volts	Model Number	Product Number	Notes (see page 306)	Approx Shpg Wght (lbs)	List Price	Mult Sym
3/4	3600	56C	74.0	1.25	230/460	SRD2S0.75TC61	LM24882	H, V	21	\$340	LT-1A
	1800	56C	75.5	1.25	230/460	SRD4S0.75TC61	LM24267	H, V	20	365	LT-1A
	1200	56C	76.5	1.15	230/460	SRD6S0.75TC61	LM24883	H, W	26	522	LT-1A
1	3600	56C	74.0	1.25	230/460	SRD2S1TC61	LM24884	H, W	24	388	LT-1A
	1800	56C	76.5	1.15	230/460	SRD4S1TC61	LM24346	H	22	376	LT-1A
	1800	143TC	82.5	1.25	230/460	SSD4P1TC61	LM24344	H, S, W	34	419	LT-1B
	1200	56HC	75.5	1.15	230/460	SRD6S1TC61	LM24885	H, W	29	499	LT-1A
	1200	145TC	80.0	1.25	230/460	SSD6P1TC61	LM24886	K, V	48	538	LT-1B
1 1/2	3600	56C	80.0	1.15	230/460	SRD2S1.5TC61	LM24887	H, W	23	428	LT-1A
	3600	143TC	82.5	1.25	230/460	SSD2P1.5TC61	LM24888	S	28	459	LT-1B
	1800	56HC	80.0	1.15	230/460	SRD4S1.5TC61	LM24889	H, W	28	396	LT-1A
	1800	145TC	84.0	1.15	230/460	SSD4P1.5TC61	LM24343	H, V	40	440	LT-1B
	1200	182TC	84.0	1.15	230/460	SSD6P1.5TC61	LM24890	H, V	80	648	LT-1B
2	3600	56HC	80.0	1.15	230/460	SRD2S2TC61	LM24891	H	25	473	LT-1A
	3600	145TC	84.0	1.25	230/460	SSD2P2TC61	LM24892	H	28	534	LT-1B
	1800	56HC	81.5	1.15	230/460	SRD4S2TC61	LM24345	H	36	471	LT-1A
	1800	145TC	84.0	1.25	230/460	SSD4P2TC61	LM24272	H, W	44	471	LT-1B
	1200	184TC	85.5	1.25	230/460	SSD6P2TC61	LM24893	H, V	74	668	LT-1B
3	3600	56HC	84.0	1.15	230/460	SRD2S3TC61	LM24894	H	33	473	LT-1A
	3600	145TC	84.0	1.25	230/460	SSD2P3TC61	LM24895	H, W	33	492	LT-1B
	1800	182TC	86.5	1.25	230/460	SSD4P3TC61	LM24896	D - G130325	83	562	LT-1B
	1200	213TC	86.5	1.25	230/460	SSD6P3TC61	LM24897	K, V	104	810	LT-1B
5	3600	182TC	85.5	1.15	230/460	SSD2P5TC61	LM24898	H, V, D - G131249	83	591	LT-1B
	1800	184TC	87.5	1.25	230/460	SSD4P5TC61	LM24206	H, Q, D - G130327	93	630	LT-1B
	1200	215TC	87.5	1.25	230/460	SSD6P5TC61	LM24899	K, V	135	958	LT-1B
7 1/2	3600	184TC	87.5	1.15	230/460	SSD2P7.5TC61	LM24205	J, Q, S, D - G131250	105	860	LT-1B
	1800	213TC	88.5	1.25	230/460	SSD4P7.5TC61	LM24240	H, V	115	812	LT-1B
	1200	254TC	88.5	1.25	230/460	SSD6P7.5TC61	LM24900	K, V	150	1189	LT-1B
10	3600	213TC	88.5	1.25	230/460	SSD2P10TC61	LM24901	H, W	138	949	LT-1B
	1800	215TC	89.5	1.25	230/460	SSD4P10TC61	LM24902	S	138	999	LT-1B
	1200	256TC	90.2	1.25	230/460	SSD6P10TC61	LM24903	K	221	1513	LT-1B
15	3600	215TC	90.2	1.15	230/460	SSD2P15TC61	LM24904	H, S	135	1246	LT-1B
	1800	254TC	91.0	1.25	230/460	SSD4P15TC61	LM24905	S	215	1312	LT-1B
	1200	284TC	91.7	1.25	230/460	CCD6B15TC61Y	LM31247		420	2529	LT-1E
	1200	284TC	90.2	1.25	230/460	SD6P15TC61Y	LM17036	C, K, Q	355	2127	LT-1C
20	3600	254TC	91.0	1.25	230/460	SSD2P20TC61	LM24906	V	161	1572	LT-1B
	1800	256TC	91.0	1.25	230/460	SSD4P20TC61	LM24907	A, S	233	1627	LT-1B
	1200	286TC	92.4	1.25	230/460	CCD6B20TC61Y	LM31248		462	3005	LT-1E
	1200	286TC	90.1	1.25	230/460	CCD6P20TC61Y	LM29938		375	2505	LT-1C
25	3600	256TC	91.0	1.25	230/460	SSD2P25TC61	LM24908	H, Q	207	1895	LT-1B
	1800	284TC	93.0	1.25	230/460	CCD4B25TC61Y	LM31245		430	2686	LT-1E
	1800	284TC	91.7	1.25	230/460	CCD4P25TC61Y	LM29580		350	2244	LT-1C
	1800	284TSC	91.7	1.25	230/460	CCD4P24TSC61Y	LM29934		350	2244	LT-1C
	1200	324TC	92.4	1.25	230/460	SD6B25TC61Y	LM14535	C, K, N	479	4081	LT-1E
	1200	324TC	92.4	1.25	230/460	SD6P25TC61Y	LM13774	C	479	4778	LT-1C
30	3600	284TSC	93.0	1.25	230/460	SD2B30TSC61Y	LM17382	H, M	355	3075	LT-1E
	3600	284TSC	91.0	1.25	230/460	SD2P30TSC61Y	LM15548	H, Q	355	3441	LT-1C
	1800	286TC	93.6	1.25	230/460	SD4B30TC61Y	LM31246		489	3075	LT-1E
	1800	286TC	92.4	1.25	230/460	CCD4P30TC61Y	LM29940		396	2580	LT-1C
	1800	286TSC	92.4	1.25	230/460	CCD4P30TSC61Y	LM29578		400	2580	LT-1C
	1200	326TC	93.6	1.25	230/460	SD6B30TC61Y	LM13836	C, K, Q	532	4684	LT-1E
1200	326TC	92.4	1.25	230/460	SD6P30TC61Y	LM13775	C, K, Q	532	5005	LT-1C	

Prices and data subject to change without notice.

Product numbers in red are STOCK items.

ODP
208, 230/460 & 460 VOLTS • 3-PHASE
FOOT MOUNT AND C-FACE
1/4 TO 500 HP



C-FACE WITH FEET (cont'd)

HP	SYN RPM	Frame	FL Nom Eff (%)	SF	Volts	Model Number	Product Number	Notes (see page 306)	Approx Shpg Wght (lbs)	List Price	Mult Sym
40	3600	286TSC	93.6	1.25	230/460	SD2B40TSC61Y	LM17384	H, N	396	\$4817	LT-1E
	3600	286TSC	91.7	1.25	230/460	SD2P40TSC61Y	LM15595	H, Q	396	3840	LT-1C
	1800	324TC	94.1	1.25	230/460	SD4B40TC61Y	LM13837	C, H, M	479	3882	LT-1E
	1800	324TC	93.0	1.25	230/460	SD4P40TC61Y	LM13776	C, H, M	479	3362	LT-1C
	1800	324TSC	93.0	1.25	230/460	SD4P40TSC61Y	LM16050	C, H, M	479	3362	LT-1C
	1200	364TC	94.1	1.25	230/460	SD6B40TC61Y	LM15571	C, P	724	6495	LT-1E
	1200	364TC	93.0	1.25	230/460	SD6P40TC61Y	LM15559	C, K, Q	724	5315	LT-1C
50	3600	324TSC	94.1	1.25	230/460	SD2B50TSC61Y	LM13838	H, M	479	4787	LT-1E
	3600	324TSC	92.4	1.25	230/460	SD2P50TSC61Y	LM13777	H, P	479	4228	LT-1C
	1800	326TC	94.5	1.25	230/460	SD4B50TC61Y	LM13839	C, H, M	532	4485	LT-1E
	1800	326TC	93.0	1.25	230/460	SD4P50TC61Y	LM13778	C, H, M	532	3802	LT-1C
	1800	326TSC	93.0	1.25	230/460	SD4P50TSC61Y	LM16054	C, H, M	532	3802	LT-1C
	1200	365TC	94.5	1.25	230/460	SD6B50TC61Y	LM15574	C, K, M	775	7276	LT-1E
	1200	365TC	93.0	1.25	230/460	SD6P50TC61Y	LM15561	C, K, Q	775	6131	LT-1C
60	3600	326TSC	94.5	1.25	230/460	SD2B60TSC61Y	LM13840	H	532	5041	LT-1E
	3600	326TSC	93.0	1.25	230/460	SD2P60TSC61Y	LM13779	H, P	532	4407	LT-1C
	1800	364TC	95.0	1.25	230/460	SD4B60TC61Y	LM15570	C, H, M, V	724	7106	LT-1E
	1800	364TC	93.6	1.25	230/460	SD4P60TC61Y	LM15558	H, N	724	4800	LT-1C
	1800	364TSC	93.6	1.25	230/460	SD4P60TSC61Y	LM16057	H, N	724	4800	LT-1C
	1200	404TC	94.5	1.25	230/460	SD6B60TC61Y	LM17385	C, K, P	898	8060	LT-1E
	1200	404TC	93.6	1.25	230/460	SD6P60TC61Y	LM17043	K, Q	898	7191	LT-1D
75	3600	364TSC	95.0	1.25	230/460	SD2B75TSC61Y	LM15569	H, M	724	7587	LT-1E
	3600	364TSC	93.0	1.25	230/460	SD2P75TSC61Y	LM15490	Q	724	6778	LT-1C
	1800	365TC	95.0	1.25	230/460	SD4B75TC61Y	LM15573	C, H, M	775	6004	LT-1E
	1800	365TC	94.1	1.25	230/460	SD4P75TC61Y	LM15560	H, Q	775	5177	LT-1C
	1800	365TSC	94.1	1.25	230/460	SD4P75TSC61Y	LM16061	H, Q	775	5177	LT-1C
	1200	405TC	95.4	1.25	230/460	SD6B75TC61Y	LM17386	K, P	974	10294	LT-1E
	1200	405TC	93.6	1.25	230/460	SD6P75TC61Y	LM17044	K, Q	974	9136	LT-1D
100	3600	365TSC	95.0	1.25	230/460	SD2B100TSC61Y	LM15572	H	775	8649	LT-1E
	3600	365TSC	93.0	1.25	230/460	SD2P100TSC61Y	LM15062	H, Q	775	7315	LT-1C
	1800	404TC	95.4	1.25	230/460	SD4B100TC61Y	LM17387	Q	898	7554	LT-1E
	1800	404TC	94.1	1.25	230/460	SD4P100TC61Y	LM17045	H, M, ♦	898	6506	LT-1C
	1800	404TSC	94.1	1.25	230/460	SD4P100TSC61Y	LM18751	H, ♦	898	6506	LT-1D
	1200	444TC	95.4	1.15	460	SD6B100TC64Y	LM13791	C, U	1298	12067	LT-1E
	1200	444TC	94.1	1.15	460	SD6P100TC64Y	LM13780		1298	9684	LT-1D
125	3600	404TSC	95.0	1.25	230/460	SD2B125TSC61Y	LM17388	H, M	898	11075	LT-1E
	3600	404TSC	93.6	1.25	230/460	SD2P125TSC61Y	LM17046	H, M	898	8872	LT-1D
	1800	405TC	95.4	1.25	230/460	SD4B125TC61Y	LM17389	C, H, M	974	9040	LT-1E
	1800	405TC	94.5	1.25	230/460	SD4P125TC61Y	LM17047	C, H, N	974	7416	LT-1D
	1800	405TSC	94.5	1.25	230/460	SD4P125TSC61Y	LM18746	H, N	974	7416	LT-1D
	1200	445TC	95.4	1.15	460	SD6B125TC64Y	LM13792	C	1459	13032	LT-1E
150	3600	405TSC	95.4	1.25	230/460	SD2B150TSC61Y	LM17390	H	974	13035	LT-1E
	3600	405TSC	93.6	1.25	230/460	SD2P150TSC61Y	LM17048	H, N	974	10510	LT-1D
	1800	444TC	95.8	1.25	460	SD4B150TC64Y	LM13793	C, M	1298	12372	LT-1E
	1800	444TC	95.0	1.25	460	SD4P150TC64Y	LM13782	C, T	1298	9927	LT-1D
	1800	444TSC	95.0	1.25	460	SD4P150TSC64Y	LM18753	C, T	1298	9927	LT-1D
	1200	445TC	95.4	1.15	460	SD6B150TC64Y	LM13794	C, U	1459	15442	LT-1E
200	3600	444TSC	95.8	1.25	460	SD2B200TSC64Y	LM13795	M	1298	15976	LT-1E
	3600	444TSC	94.5	1.25	460	SD2P200TSC64Y	LM13784	N	1298	12779	LT-1D
	1800	445TC	96.2	1.25	460	SD4B200TC64Y	LM13796	C, M	1459	14508	LT-1E
	1800	445TC	95.0	1.25	460	SD4P200TC64Y	LM13785	C, N	1470	11504	LT-1D
	1800	445TSC	95.0	1.25	460	SD4P200TSC64Y	LM18754	C, N	1470	11504	LT-1D
	1200	447TC	95.4	1.15	460	SD6B200TC64Y	LM13797	C, U	1766	18246	LT-1E
	1200	447TC	94.5	1.15	460	SD6P200TC64Y	LM13786	C	1766	14587	LT-1D

Prices and data subject to change without notice.
+ Discontinued

Product numbers in red are STOCK items.



ODP

**208, 230/460 & 460 VOLTS • 3-PHASE
FOOT MOUNT AND C-FACE
1/4 TO 500 HP**

C-FACE WITH FEET (cont'd)

HP	SYN RPM	Frame	FL Nom Eff (%)	SF	Volts	Model Number	Product Number	Notes (see page 306)	Approx Shpg Wght (lbs)	List Price	Mult Sym
250	3600	445TSC	95.8	1.15	460	SD2B250TSC64Y	LM13798	N	1459	\$21096	LT-1E
	3600	445TSC	94.5	1.15	460	SD2P250TSC64Y	LM13787	U	1459	17001	LT-1D
	1800	445TC	96.2	1.15	460	SD4B250TC64Y	LM13799	N	1459	20259	LT-1E
	1800	445TC	95.4	1.15	460	SD4P250TC64Y	LM13788	N	1459	15709	LT-1D
	1800	445TSC	95.4	1.15	460	SD4P250TSC64Y	LM20695	N	1459	15709	LT-1D
300	1200	447TC	95.4	1.00	460	SD6B250TC64Y	LM13841		1766	24103	LT-1E
	3600	447TSC	95.8	1.15	460	SD2B300TSC64Y	LM13842	N	1766	24793	LT-1E
	3600	447TSC	95.0	1.15	460	SD2P300TSC64Y	LM13790	U	1766	19773	LT-1D
	1800	447TC	96.2	1.15	460	SD4B300TC64Y	LM13843	N	1766	21001	LT-1E
	1800	447TC	95.4	1.15	460	SD4P300TC64Y	LM15312	U	1766	16609	LT-1D
350	1200	449TC	95.4	1.00	460	SD6B300TC64Y	LM13844		2133	29964	LT-1E
	1200	449TC	95.4	1.00	460	SD6P300TC64Y	LM13801		2133	23637	LT-1D
	3600	447TSC	95.8	1.15	460	SD2B350TSC64Y	LM13845	N	1766	27999	LT-1E
	3600	447TSC	95.0	1.15	460	SD2P350TSC64Y	LM13802	U	1766	22315	LT-1D
	1800	447TC	96.2	1.15	460	SD4B350TC64Y	LM13846	U	1766	26224	LT-1E
400	1800	447TC	95.4	1.15	460	SD4P350TC64Y	LM13803		1766	19039	LT-1D
	3600	449TSC	96.2	1.15	460	SD2B400TSC64Y	LM13848	N	2133	31344	LT-1E
	3600	449TSC	95.4	1.15	460	SD2P400TSC64Y	LM13805		2133	24440	LT-1D
	1800	449TC	95.8	1.15	460	SD4B400TC64Y	LM13849	U	2133	30435	LT-1E
	1800	449TC	95.4	1.15	460	SD4P400TC64Y	LM13806		2133	23597	LT-1D
450	3600	449TSC	95.8	1.15	460	SD2B450TSC64Y	LM13850		2133	38296	LT-1E
	3600	449TSC	95.8	1.00	460	SD2P450TSC64Y	LM13807		2133	26089	LT-1D
	1800	449TC	96.2	1.15	460	SD4B450TC64Y	LM13718		2133	38295	LT-1E
	1800	449TC	95.8	1.00	460	SD4P450TC64Y	LM13808		2133	26089	LT-1D
	500	3600	449TSC	96.5	1.15	460	SD2B500TSC64Y	TBD		2170	46197

C-FACE FOOTLESS

HP	SYN RPM	Frame	FL Nom Eff (%)	SF	Volts	Model Number	Product Number	Notes (see page 306)	Approx Shpg Wght (lbs)	List Price	Mult Sym
1/3	3600	56C	66.0	1.35	230/460	SRD2S0.33TCN61	LM24909	H, V	19	\$246	LT-1A
	1800	56C	67.0	1.35	230/460	SRD4S0.33TCN61	LM24910	H, W	15	270	LT-1A
1/2	3600	56C	66.0	1.25	230/460	SRD2S0.5TCN61	LM24911	H, V	19	260	LT-1A
	1800	56C	70.0	1.25	230/460	SRD4S0.5TCN61	LM24912	H, W	17	312	LT-1A
	1200	56C	68.0	1.25	230/460	SRD6S0.5TCN61	LM24913	H	21	452	LT-1A
3/4	3600	56C	74.0	1.25	230/460	SRD2S0.75TCN61	LM24914	H, V	20	306	LT-1A
	1800	56C	75.5	1.15	230/460	SRD4S0.75TCN61	LM24915	S	20	348	LT-1A
1	3600	56C	74.0	1.25	230/460	SRD2S1TCN61	LM24916	S	22	353	LT-1A
	1800	56C	76.5	1.15	230/460	SRD4S1TCN61	LM24917	H	22	376	LT-1A
	1800	143TC	77.0	1.15	230/460	SSD4S1TCN61	LM24918	H, W	27	376	LT-1A
1 1/2	3600	56C	80.0	1.15	230/460	SRD2S1.5TCN61	LM24919	H, W	23	409	LT-1A
	1800	56HC	80.0	1.15	230/460	SRD4S1.5TCN61	LM24160	H, W	27	440	LT-1A
	1800	145TC	80.0	1.15	230/460	SSD4S1.5TCN61	LM24920	H, W	29	440	LT-1A
2	3600	56HC	80.0	1.15	230/460	SRD2S2TCN61	LM24921	H	25	472	LT-1A
	1800	56HC	81.5	1.15	230/460	SRD4S2TCN61	LM24131	H	33	472	LT-1A
	1800	145TC	81.5	1.15	230/460	SSD4S2TCN61	LM24922	H	35	472	LT-1A
3	3600	56HC	84.0	1.15	230/460	SRD2S3TCN61	LM24923	H, S	31	504	LT-1A
	3600	145TC	84.0	1.15	230/460	SSD2S3TCN61	LM24924	H, S	33	504	LT-1A
	1800	182TC	81.5	1.15	230/460	SSD4S3TCN61	LM24925	H, D - 131489	63	491	LT-1A
5	1800	184TC	85.5	1.25	230/460	SSD4S5TCN61	LM24926	H, W	84	562	LT-1A
	1800	184TC	87.5	1.25	230/460	SSD4P5TCN61	LM24234	H, S, U, D - 131490	93	613	LT-1B
7 1/2	1800	213TC	84.0	1.15	230/460	SSD4S7.5TCN61	LM24927	H, S, Y	95	761	LT-1A
10	1800	215TC	87.5	1.15	230/460	SSD4S10TCN61	LM24928	H, W	128	958	LT-1A

Prices and data subject to change without notice.

Product numbers in red are STOCK items.

TEFC
 208, 230/460 AND 460 VOLTS • 3-PHASE
 FOOT MOUNT & C-FACE
 1/4 TO 400 HP

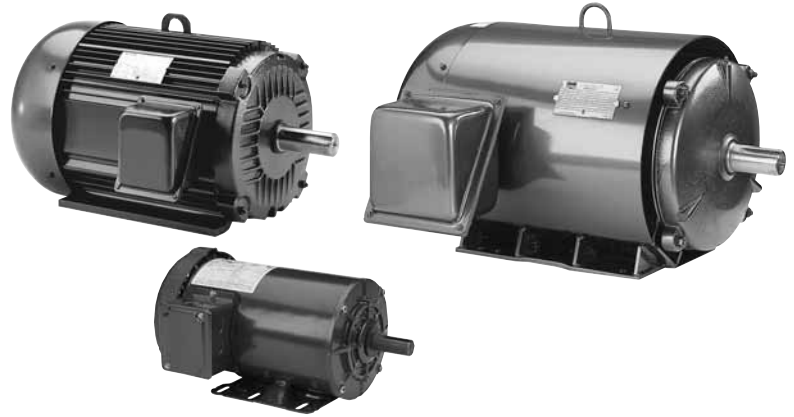


Signature Series MOTORS

Frames 48 - 215T

Features:

- Industry leading 1.25 service factor*
- Nameplated for 50 Hz and 208 V/60 Hz Operation – See “Notes” column.
- Continuous Duty
- Inverter-Rated
- Construction materials (reference Model Number) -
 SPF, SRF & SSF: steel frame/cast aluminum brackets
 CCN: cast iron frame and brackets
- Premium Insulation Systems –
48 & 56 frames: Class B
143T-215T frames: Class F
- UL Recognized Component Listing and CSA certified
- Warranty (sine-wave power) – SPF, SRF, SSF (inverter power) – CCN
48 & 56 frames: 18 months from date of manufacture and 12 months from date of installation which ever period expires first.
143T-256T frames: 30 months from date of manufacture and 24 months from date of installation which ever period expires first.



ULTIMATE E® MOTORS

Frames 182T - 449T

Features:

- Industry leading 1.25 service factor through 75 HP*
- Superior speed-torque curves – most models* nameplated Design B & C – see “Notes” column.
- Two levels of premium efficiency – P efficiency codes meet and B efficiency codes exceed the energy efficiency requirements of the United States and Canada.
- Nameplated for 50 Hz and 208 V/60 Hz Operation – See “Notes” column.
- Continuous Duty
- Inverter-Rated
- Construction Materials (reference Model Number) –
 AF, AAF: extruded aluminum frame and cast iron brackets
 SF: steel frame and cast iron brackets
- Premium Class F Plus Insulation system
- Y-delta start capability frames 284T-449T
- UL Recognized Component Listing and CSA certified
- Warranty (sine-wave power) - AF-AAF-SF
182T-449T frames: 42 months from date of manufacture and 36 months from date of installation which ever period expires first.
Inverter Power: 30 months from date of manufacture and 24 months from date of installation which ever period expires first.
- Shielded ball bearing for direct coupled applications. Contact your local sales office for belted applications.

Applications:

For use where exposure to water, dust and corrosives exists. Ideally suited for use on pumps, compressors, fans, blowers, conveyors, machine tools and other industrial applications.



Entire Cast Iron Frame Motors start on pages 207-217 and 252-255.

* P and B efficiency codes.
 Information subject to change without notice.



TEFC

208, 230/460 AND 460 VOLTS • 3-PHASE
FOOT MOUNT & C-FACE
1/4 TO 400 HP

FOOT MOUNT

HP	SYN RPM	Frame	FL Nom Eff (%)	SF	Volts	Model Number	Product Number	Notes (see page 306)	Approx Shpg Wght (lbs)	List Price	Mult Sym	
1/4	1800	48	62.5	1.15	230/460	SPF4S0.25T61	LM24929	H	17	\$261	LT-1A	
1/3	1800	48	65.5	1.15	230/460	SPF4S0.33T61	LM24930	H	20	311	LT-1A	
	1800	56	65.5	1.15	230/460	SRF4S0.33T61	LM24107	H	16	293	LT-1A	
1/2	1200	56	62.0	1.15	230/460	SRF6S0.33T61	LM24931	H, W	22	448	LT-1A	
	3600	56	69.0	1.15	230/460	SRF2S0.5T61	LM24165	H, W	22	298	LT-1A	
	1800	48	70.0	1.15	230/460	SPF4S0.5T61	LM24932	H	23	364	LT-1A	
	1800	56	70.0	1.15	230/460	SRF4S0.5T61	LM24073	H	18	334	LT-1A	
	1200	56	68.0	1.15	230/460	SRF6S0.5T61	LM24105	H, Y	24	484	LT-1A	
3/4	900	143T	66.0	1.15	230/460	SSF8S0.5T61	LM24291	K, Y	31	711	LT-1A	
	3600	56	74.0	1.15	230/460	SRF2S0.75T61	LM24133	H, W	23	330	LT-1A	
	1800	56	75.5	1.15	230/460	SRF4S0.75T61	LM24075	H	30	359	LT-1A	
	1200	56	74.0	1.15	230/460	SRF6S0.75T61	LM24136	H	28	495	LT-1A	
	1200	143T	74.0	1.15	230/460	SSF6S0.75T61	LM24103	K	29	495	LT-1A	
1	900	145T	70.0	1.15	230/460	SSF8S0.75T61	LM24276	K	49	814	LT-1A	
	3600	56	74.0	1.15	230/460	SRF2S1T61	LM24094	H, W	24	388	LT-1A	
	1800	56	77.0	1.15	230/460	SRF4S1T61	LM24078	H, W	27	372	LT-1A	
	1800	143T	82.5	1.25	230/460	SSF4P1T61	LM24088	C, H, V	41	391	LT-1B	
	1800	143T	85.5	1.25	230/460	CCN4B1T61	LM24102	C, H, V	56	600	LT-1E	
	1800	143T	82.5	1.25	230/460	CCN4P1T61	LM25639	C, H, V	56	542	LT-3B	
	1200	145T	80.0	1.25	230/460	SSF6P1T61	LM24092	K, W	34	500	LT-1B	
	1200	56H	78.5	1.15	230/460	SRF6S1T61	LM24159	H	35	543	LT-1A	
	900	182T	70.0	1.15	230/460	AAF8S1T61	LM01260	H, V	64	795	LT-1A	
	1 1/2	3600	56	80.0	1.15	230/460	SRF2S1.5T61	LM24144	H	34	425	LT-1A
3600		143T	82.5	1.25	230/460	SSF2P1.5T61	LM24119	H, V	32	449	LT-1B	
1800		56H	80.0	1.15	230/460	SRF4S1.5T61	LM24118	H	30	395	LT-1A	
1800		145T	84.0	1.25	230/460	SSF4P1.5T61	LM24091	H, V	45	398	LT-1B	
1800		145T	84.0	1.25	230/460	CCN4B1.5T61	LM25637	H	63	640	LT-1E	
1800		145T	84.0	1.15	230/460	CCN4P1.5T61	LM24164	H	62	560	LT-3B	
1200		182T	87.7	1.25	230/460	AAF6B1.5T61	LM15648	K, M	83	730	LT-1E	
1200		182T	85.5	1.25	230/460	AAF6P1.5T61	LM15636	K, V	83	626	LT-1B	
1200		182T	85.5	1.15	230/460	SSF6P1.5T61	LM24933	H, V, D - G130015	54	918	LT-1B	
900		184T	72.0	1.15	230/460	AAF8S1.5T61	LM01301	H, S, X	71	942	LT-1A	
2		3600	56H	82.5	1.15	230/460	SRF2S2T61	LM24347	H	39	476	LT-1A
		3600	145T	84.0	1.25	230/460	SSF2P2T61	LM24089	H, V	31	518	LT-1B
	1800	56H	82.5	1.15	230/460	SRF4S2T61	LM24097	H, S, W	40	420	LT-1A	
	1800	145T	85.5	1.25	230/460	SSF4P2T61	LM24090	A, H, V	41	420	LT-1B	
	1800	145T	85.5	1.15	230/460	CCN4B2T61	LM24127	C, H, W	64	674	LT-1E	
	1800	145T	84.0	1.25	230/460	CCF4P2T61	LM24115	C, H, V	57	577	LT-3B	
	1200	184T	87.5	1.25	230/460	AAF6B2T61	LM15651	C, K, M	92	812	LT-1E	
	1200	184T	86.5	1.25	230/460	AAF6P2T61	LM15639	K, V	92	675	LT-1B	
	1200	184T	86.5	1.15	230/460	SSF6P2T61	LM24934	H, V, D - G130016	72	674	LT-1B	
	900	213T	75.5	1.15	230/460	AF8S2T61	LM01423		101	1117	LT-1A	
	3	3600	56H	84.0	1.15	230/460	SRF2S3T61	LM24935	H	51	558	LT-1A
		3600	182T	85.5	1.15	230/460	SSF2P3T61	LM24936	H, S, ♦, D - G130099	64	595	LT-1B
3600		182T	87.5	1.25	230/460	AAF2B3T61	LM15646	H, M	83	964	LT-1E	
3600		182T	85.5	1.25	230/460	AAF2P3T61	LM15634	H, V	83	623	LT-1B	
1800		182T	90.2	1.25	230/460	AAF4B3T61	LM15647	H, V	83	697	LT-1E	
1800		182T	87.5	1.25	230/460	AAF4P3T61	LM15635	H, P, D	83	585	LT-1B	
1800		182T	87.5	1.15	230/460	SSF4P3T61	LM24937	H, S, Y, D - G130008	77	500	LT-1B	
1800		182T	87.5	1.25	230/460	CCF4P3T61AP21	LM24189	H, V, S	90	564	LT-3B	
1800		182T	87.5	1.25	230/460	AAF4P3T61AP23	LM70001	H, NN	60	455	LT-1B	
1200		213T	89.5	1.25	230/460	AF6B3T61	LM16030	K, M	127	1168	LT-1E	
1200		213T	87.5	1.25	230/460	AF6P3T61	LM16018	K, P	127	939	LT-1B	
1200		213T	87.5	1.15	230/460	SSF6P3T61	LM24938	H, V	125	850	LT-1B	
900		215T	77.0	1.15	230/460	AF8S3T61	LM30262		119	1184	LT-1A	

Prices and data subject to change without notice.

Product numbers in red are STOCK items.

TEFC
208, 230/460 AND 460 VOLTS • 3-PHASE
FOOT MOUNT & C-FACE
1/4 TO 400 HP



FOOT MOUNT (cont'd)

HP	SYN RPM	Frame	FL Nom Eff (%)	SF	Volts	Model Number	Product Number	Notes (see page 306)	Approx Shpg Wght (lbs)	List Price	Mult Sym	
5	3600	184T	89.5	1.25	230/460	AAF2B5T61	LM15649	H, V	92	\$1034	LT-1E	
	3600	184T	87.5	1.25	230/460	AAF2P5T61	LM15637	H, S, V, ♣	92	759	LT-1B	
	3600	184T	87.5	1.15	230/460	SSF2P5T61	LM24939	H, D - G130101	81	728	LT-1B	
	1800	184T	90.2	1.25	230/460	AAF4B5T61	LM15650	H, W	92	816	LT-1E	
	1800	184T	87.5	1.25	230/460	AAF4P5T61	LM15638	H, ♥, D	92	649	LT-1B	
	1800	184T	87.5	1.25	230/460	CCF4P5T61AP21	LM24180	H, S, W	123	651	LT-3B	
	1800	184T	87.5	1.15	230/460	SSF4P5T61	LM24940	H,S,W,♣,D - G130027	85	570	LT-1B	
	1800	184T	87.5	1.25	230/460	AAF4P5T61AP23	LM70002*	H, NN, ♥	75	498	LT-1B	
	1200	215T	89.5	1.25	230/460	AF6B5T61	LM16033	K, M	138	1354	LT-1E	
	1200	215T	87.5	1.25	230/460	AF6P5T61	LM16021	K, P	138	1178	LT-1B	
	1200	215T	87.5	1.15	230/460	SSF6P5T61	LM24941	H, V	140	1023	LT-1B	
	900	254T	81.5	1.15	230/460	AF8S5T61	LM30568		159	1662	LT-1A	
7 1/2	3600	213T	91.0	1.25	230/460	AF2B7.5T61	LM28968	H, M	127	1113	LT-1E	
	3600	G213T	88.5	1.25	230/460	AF2P7.5T61	LM16016	H, P	127	989	LT-1B	
	3600	213T	89.5	1.15	230/460	SSF2P7.5T61	LM24942	H, S, X, ♦	109	886	LT-1B	
	1800	213T	91.0	1.25	230/460	AF4B7.5T61	LM16029	H, N	127	1073	LT-1E	
	1800	213T	89.5	1.25	230/460	AF4P7.5T61	LM16017	H, P, D	127	954	LT-1B	
	1800	213T	89.5	1.25	230/460	CCF4P7.5T61AP21	LM24183	H, S, W	194	830	LT-3B	
	1800	213T	89.5	1.15	230/460	SSF4P7.5T61	LM24943	H, S, W, ♣	115	764	LT-1B	
	1800	213T	89.5	1.25	230/460	AAF4P7.5T61AP23	LM70003	H, NN, ♥	110	714	LT-1B	
	1200	254T	91.0	1.25	230/460	AF6B7.5T61	LM15672	K, P	209	1990	LT-1E	
	1200	254T	89.5	1.25	230/460	AAF6P7.5T61	LM15660	K, P	209	1803	LT-1B	
	900	256T	82.5	1.15	230/460	AF8S7.5T61	LM30120		195	1967	LT-1A	
	10	3600	215T	91.0	1.25	230/460	AF2B10T61	LM16031	H, N	138	1353	LT-1E
3600		G215T	89.5	1.25	230/460	AF2P10T61	LM16019	H, P	138	1174	LT-1B	
3600		215T	89.5	1.15	230/460	SSF2P10T61	LM24944	H, W	126	1127	LT-1B	
1800		215T	91.0	1.25	230/460	AF4B10T61	LM16032	H, N	138	1353	LT-1E	
1800		215T	89.5	1.25	230/460	AAF4P10T61	LM16020	H, Q, D	138	1056	LT-1B	
1800		215T	89.5	1.15	230/460	CCF4P10T61AP21	LM24185	J, S, Q	227	953	LT-3B	
1800		215T	91.0	1.15	230/460	SSF4P10T61	LM24945	H, W	135	944	LT-1B	
1800		215T	89.5	1.25	230/460	AAF4P10T61AP23	LM70004	H, NN, ♥	125	783	LT-1B	
1200		256T	91.0	1.25	230/460	AF6B10T61	LM15675	K, N	236	2338	LT-1E	
1200		256T	89.5	1.25	230/460	AAF6P10T61	LM15663	K, N	236	2048	LT-1B	
15		3600	254T	91.7	1.25	230/460	AAF2B15T61	LM15670	H, M	209	1854	LT-1E
		3600	G254T	90.2	1.25	230/460	AAF2P15T61	LM15658	H, N	209	1580	LT-1B
	1800	254T	92.4	1.25	230/460	AAF4B15T61	LM15671	H, M	209	1662	LT-1E	
	1800	254T	91.0	1.25	230/460	AF4P15T61	LM15659	H, N	209	1484	LT-1B	
	1800	254T	91.0	1.25	230/460	CCF4P15T61AP21	LM24182	H, S, W	365	1489	LT-3B	
	1200	284T	92.4	1.25	230/460	AF6B15T61Y	LM13962	C, K, X	363	3131	LT-1E	
1200	284T	90.2	1.25	230/460	AF6P15T61Y	LM13950	C, K, X	363	2762	LT-1C		
20	3600	256T	91.7	1.25	230/460	AF2B20T61	LM15673	H, N	236	2415	LT-1E	
	3600	256T	90.2	1.25	230/460	AAF2P20T61	LM15661	H,Q	236	1875	LT-1B	
	1800	256T	93.0	1.25	230/460	AAF4B20T61	LM15674	C, H, M	236	2086	LT-1E	
	1800	256T	91.0	1.25	230/460	AAF4P20T61	LM15662	H, Q	236	1759	LT-1B	
	1800	256T	91.0	1.15	230/460	CCF4P20T61AP21	LM24186	J, Q, S	420	1765	LT-3B	
	1200	286T	93.0	1.25	230/460	AF6B20T61Y	LM13965	C, K, M	408	4112	LT-1E	
1200	286T	90.2	1.25	230/460	AF6P20T61Y	LM13953	C, K, Q	408	3161	LT-1C		
25	3600	284TS	93.0	1.25	230/460	AF2B25TS61Y	LM13960	H, S, T	363	3545	LT-1E	
	3600	284TS	91.0	1.25	230/460	AF2P25TS61Y	LM13948	H, P	363	2879	LT-1C	
	3600	284T	91.0	1.25	230/460	AF2P25T61Y	LM18899	H, P	363	2879	LT-1C	
	1800	284T	94.1	1.25	230/460	AF4B25T61Y	LM13961	C, H, M	363	2790	LT-1E	
	1800	284T	92.4	1.25	230/460	AF4P25T61Y	LM13949	C, H, Q	363	2539	LT-1C	
	1800	284TS	92.4	1.25	230/460	AF4P25TS61Y	LM20258	C, H, Q	363	2539	LT-1C	
	1800	284T	92.4	1.15	230/460	CCF4P25T61Y	LM15786	S	440	2169	LT-3C	
	1200	324T	93.0	1.25	230/460	SF6B25T61Y	LM13696	C, K, N	504	5159	LT-1E	
	1200	324T	91.7	1.25	230/460	SF6P25T61Y	LM13540	C, K, S, X, ♦	504	4982	LT-1C	

Prices and data subject to change without notice.

Product numbers in red are STOCK items.



TEFC

208, 230/460 AND 460 VOLTS • 3-PHASE
 FOOT MOUNT & C-FACE
 1/4 TO 400 HP

FOOT MOUNT (cont'd)

HP	SYN RPM	Frame	FL Nom Eff (%)	SF	Volts	Model Number	Product Number	Notes (see page 306)	Approx Shpg Wght (lbs)	List Price	Mult Sym	
30	3600	286TS	93.0	1.25	230/460	AF2B30TS61Y	LM13963	H, M	408	\$3773	LT-1E	
	3600	286TS	91.0	1.25	230/460	AF2P30TS61Y	LM13951	H, Q	408	3143	LT-1C	
	3600	286T	91.0	1.25	230/460	AF2P30T61Y	LM18902	H, Q, S	408	3142	LT-1C	
	1800	286T	94.5	1.25	230/460	AF4B30T61Y	LM13964	C, M	408	3636	LT-1E	
	1800	286T	92.4	1.25	230/460	AF4P30T61Y	LM13952	C, P, S	408	2811	LT-1C	
	1800	286TS	92.4	1.25	230/460	AF4P30TS61Y	LM20263	C, H, P	408	2811	LT-1C	
	1800	286T	92.4	1.15	230/460	CCF4P30T61Y	LM15789	H, S, ▼	494	2593	LT-3C	
	1200	326T	92.4	1.25	230/460	SF6B30T61Y	LM13697	C, K, Q	558	5187	LT-1E	
	1200	326T	91.7	1.25	230/460	SF6P30T61Y	LM13541	C, K, Q	570	5111	LT-1C	
	40	3600	324TS	94.1	1.25	230/460	SF2B40TS61Y	LM13698	H, P	504	5289	LT-1E
		3600	324TS	91.7	1.25	230/460	SF2P40TS61Y	LM13542	H, Q	504	4510	LT-1C
		3600	324T	91.7	1.25	230/460	SF2P40T61Y	LM18395	H, Q, S	504	4334	LT-1C
1800		324T	94.1	1.25	230/460	SF4B40T61Y	LM13699	C, M	504	5630	LT-1E	
1800		324T	93.0	1.25	230/460	SF4P40T61Y	LM13543	C, S, X, ▼	504	3798	LT-1C	
1800		324TS	93.0	1.25	230/460	SF4P40TS61Y	LM18394	C, M, S, ▼	504	3798	LT-1C	
1200		364T	94.5	1.25	230/460	SF6B40T61Y	LM13918	C, P	765	7034	LT-1E	
1200		364T	93.0	1.15	230/460	SF6P40T61Y	LM14798	C, P, S	765	5470	LT-1C	
50		3600	326TS	94.1	1.25	230/460	SF2B50TS61Y	LM13700	H, M	558	5522	LT-1E
		3600	326TS	92.4	1.25	230/460	SF2P50TS61Y	LM13544	H, Q	558	5264	LT-1C
		3600	326T	92.4	1.25	230/460	SF2P50T61Y	LM18397	H, Q	558	5264	LT-1C
		1800	326T	95.0	1.25	230/460	SF4B50T61Y	LM13701	C, H, M	558	6224	LT-1E
	1800	326T	93.0	1.25	230/460	SF4P50T61Y	LM13545	C, H, N	558	4264	LT-1C	
	1800	326TS	93.0	1.25	230/460	SF4P50TS61Y	LM17556	C, H, N	558	4264	LT-1C	
	1200	365T	94.5	1.25	230/460	SF6B50T61Y	LM13921	C, M	822	7606	LT-1E	
	1200	365T	93.0	1.25	230/460	SF6P50T61Y	LM14801	C, P, S	822	6513	LT-1C	
	60	3600	364TS	95.0	1.25	230/460	SF2B60TS61Y	LM14808	H, M	765	8030	LT-1E
		3600	364TS	93.0	1.25	230/460	SF2P60TS61Y	LM13904	H, N	765	6344	LT-1C
		3600	364T	93.0	1.25	230/460	SF2P60T61Y	LM20276	H, N	765	6214	LT-1C
		1800	364T	95.0	1.25	230/460	SF4B60T61Y	LM14809	C, H, N	765	7408	LT-1E
1800		364T	93.6	1.25	230/460	SF4P60T61Y	LM14797	H, N	765	5879	LT-1C	
1800		364TS	93.6	1.25	230/460	SF4P60TS61Y	LM18398	H, N	765	5879	LT-1C	
1200		404T	94.5	1.15	230/460	SF6B60T61Y	LM13938	C, P, S	918	8937	LT-1E	
1200		404T	93.6	1.15	230/460	SF6P60T61Y	LM13928	Q, S, X	918	7847	LT-1D	
75		3600	365TS	95.0	1.25	230/460	SF2B75TS61Y	LM14810	H, M	822	8822	LT-1E
		3600	365TS	93.0	1.25	230/460	SF2P75TS61Y	LM14799	H, Q	822	7555	LT-1C
		3600	365T	93.0	1.25	230/460	SF2P75T61Y	LM20189	H, Q	822	7555	LT-1C
		1800	365T	95.0	1.15	230/460	SF4B75T61Y	LM14811	C, J, N	822	8746	LT-1E
	1800	365T	94.1	1.25	230/460	SF4P75T61Y	LM14800	H, Q	822	7415	LT-1C	
	1800	365TS	94.1	1.25	230/460	SF4P75TS61Y	LM18399	H, Q	822	7415	LT-1C	
	1200	405T	94.5	1.15	230/460	SF6B75T61Y	LM13941	K, P	1002	11600	LT-1E	
	1200	405T	93.6	1.15	230/460	SF6P75T61Y	LM13931	K, Q	1002	10183	LT-1D	
	100	3600	405TS	95.8	1.15	230/460	SF2B100TS61Y	LM13939	J, M	1002	12398	LT-1E
		3600	405TS	93.6	1.15	230/460	SF2P100TS61Y	LM13929	J, N	1002	10337	LT-1D
		3600	405T	93.6	1.15	230/460	SF2P100T61Y	LM20286	J, N	1002	10337	LT-1D
		1800	405T	95.4	1.15	230/460	SF4B100T61Y	LM13940	C, J, M	1002	11027	LT-1E
1800		405T	94.5	1.15	230/460	SF4P100T61Y	LM13930	J, M	1002	8958	LT-1D	
1800		405TS	94.5	1.15	230/460	SF4P100TS61Y	LM20284	J, M	1002	8958	LT-1D	
1200		444T	95.4	1.15	460	SF6B100T64Y	LM13702	C, U	1351	14825	LT-1E	
1200		444T	94.1	1.15	460	SF6P100T64Y	LM13546	U	1351	11925	LT-1D	
125		3600	444TS	95.8	1.15	460	SF2B125TS64Y	LM13703	N	1351	15896	LT-1E
		3600	444TS	94.5	1.15	460	SF2P125TS64Y	LM13547	M	1351	12590	LT-1D
		1800	444T	96.2	1.15	460	SF4B125T64Y	LM13704	C, M	1351	14723	LT-1E
		1800	444T	94.5	1.15	460	SF4P125T64Y	LM13548	C	1351	11974	LT-1D
	1800	444TS	94.5	1.15	460	SF4P125TS64Y	LM22760	C, M	1351	11974	LT-1D	
	1200	445T	95.8	1.15	460	SF6B125T64Y	LM13705	C, M	1531	17988	LT-1E	
	1200	445T	94.1	1.15	460	SF6P125T64Y	LM13549	C, S, M, ♦	1504	14245	LT-1D	

Prices and data subject to change without notice.

Product numbers in red are STOCK items.

TEFC
208, 230/460 AND 460 VOLTS • 3-PHASE
FOOT MOUNT & C-FACE
1/4 TO 400 HP



FOOT MOUNT (cont'd)

HP	SYN RPM	Frame	FL Nom Eff (%)	SF	Volts	Model Number	Product Number	Notes (see page 306)	Approx Shpg Wght (lbs)	List Price	Mult Sym	
150	3600	445TS	96.2	1.15	460	SF2B150TS64Y	LM13706	M	1531	\$19675	LT-1E	
	3600	445TS	94.5	1.15	460	SF2P150TS64Y	LM13550	N	1531	15582	LT-1D	
	1800	445T	96.2	1.15	460	SF4B150T64Y	LM13707	C, N	1531	17236	LT-1E	
	1800	445T	95.0	1.15	460	SF4P150T64Y	LM13551	C, N	1504	13889	LT-1D	
	1800	445TS	95.0	1.15	460	SF4P150TS64Y	LM16158	C, N	1504	13889	LT-1D	
	1200	447T	95.8	1.15	460	SF6B150T64Y	LM16231	C, T	1812	22136	LT-1E	
	1200	445T	95.8	1.15	460	SF6B150T64Y	LM13708	C, U	1531	21082	LT-1E	
	1200	447T	95.0	1.15	460	SF6P150T64Y	LM16221	C, U	1812	17530	LT-1D	
	1200	445T	95.0	1.15	460	SF6P150T64Y	LM13552	C	1504	16695	LT-1D	
	200	3600	447TS	96.2	1.15	460	SF2B200TS64Y	LM16229	N	1812	26180	LT-1E
		3600	445TS	96.2	1.15	460	SF2B200TS64Y	LM13709	N	1531	24932	LT-1E
		3600	447TS	95.0	1.15	460	SF2P200TS64Y	LM16219	N	1812	20735	LT-1D
3600		445TS	95.0	1.15	460	SF2P200TS64Y	LM13553	N	1504	19745	LT-1D	
1800		447T	96.5	1.15	460	SF4B200T64Y	LM16230	C, N	1812	21786	LT-1E	
1800		445T	96.2	1.15	460	SF4B200T64Y	LM13710	C, N	1531	20750	LT-1E	
1800		447T	95.0	1.15	460	SF4P200T64Y	LM16220	C, N	1812	17727	LT-1D	
1800		445T	95.0	1.15	460	SF4P200T64Y	LM13554	C, S, M, ♣	1504	17177	LT-1D	
1800		445TS	95.0	1.15	460	SF4P200TS64Y	LM15941	C, ♠, ♣	1504	17177	LT-1D	
1200		447T	95.8	1.15	460	SF6B200T64Y	LM13711	C, U	1812	24094	LT-1E	
1200		447T	95.0	1.15	460	SF6P200T64Y	LM13555	C, S	1812	19081	LT-1D	
250		3600	449TS	96.5	1.15	460	SF2B250TS64Y	LM16232	N	2185	31625	LT-1E
	3600	447TS	96.2	1.15	460	SF2B250TS64Y	LM13712	U	1812	30120	LT-1E	
	3600	449TS	95.4	1.15	460	SF2P250TS64Y	LM16222	U	2185	25043	LT-1D	
	3600	447TS	95.4	1.00	460	SF2P250TS64Y	LM13556		1812	23852	LT-1D	
	1800	449T	96.5	1.15	460	SF4B250T64Y	LM16233	M	2185	26002	LT-1E	
	1800	447T	96.2	1.15	460	SF4B250T64Y	LM13713	N	1812	24763	LT-1E	
	1800	449T	95.0	1.15	460	SF4P250T64Y	LM16223	U	2185	21530	LT-1D	
	1800	447T	95.0	1.15	460	SF4P250T64Y	LM13557	U	1812	20503	LT-1D	
	1800	447TS	95.0	1.15	460	SF4P250TS64Y	LM14751	U	1812	20503	LT-1D	
	300	3600	449TS	96.2	1.15	460	SF2B300TS64Y	LM13715	U	2185	37495	LT-1E
		3600	449TS	95.4	1.15	460	SF2P300TS64Y	LM13559		2185	29152	LT-1D
		1800	449T	96.5	1.15	460	SF4B300T64Y	LM17956	N	2185	28461	LT-1E
1800		447T	96.2	1.15	460	SF4B300T64Y	LM13716	N	1812	27106	LT-1E	
1800		449T	95.4	1.15	460	SF4P300T64Y	LM17953	U	2185	22506	LT-1D	
1800		449TS	95.4	1.15	460	SF4P300TS64Y	LM18347	U	2185	22506	LT-1D	
1800		447T	95.4	1.00	460	SF4P300T64Y	LM13560		1812	21436	LT-1D	
1800		447TS	95.4	1.00	460	SF4P300TS64Y	LM18319		1812	21436	LT-1D	
350		3600	449TS	95.8	1.15	460	SF2B350TS64Y	LM13719	U	2185	40829	LT-1E
		3600	449TS	95.4	1.00	460	SF2P350TS64Y	LM13562		2185	32331	LT-1D
		1800	449T	96.2	1.15	460	SF4B350T64Y	LM13720	U	2185	33466	LT-1E
		1800	449T	95.4	1.15	460	SF4P350T64Y	LM13563		2185	22201	LT-1D
400	3600	449TS	95.8	1.00	460	SF2B400TS64Y	LM13721		2185	49862	LT-1E	
	3600	449TS	95.4	1.00	460	SF2P400TS64Y	LM13564		2185	39489	LT-1D	
	1800	449T	96.2	1.15	460	SF4B400T64Y	LM13722	U	2185	38484	LT-1E	
	1800	449T	95.4	1.00	460	SF4P400T64Y	LM13565		2185	29363	LT-1D	

Prices and data subject to change without notice.

Product numbers in red are STOCK items.



TEFC

208, 230/460 AND 460 VOLTS • 3-PHASE
FOOT MOUNT & C-FACE
1/4 TO 400 HP

C-FACE WITH FEET

HP	SYN RPM	Frame	FL Nom Eff (%)	SF	Volts	Model Number	Product Number	Notes (see page 306)	Approx Shpg Wght (lbs)	List Price	Mult Sym	
1/4	1800	56C	62.5	1.15	230/460	SRF4S0.25TC61	LM24946	H, V	21	\$298	LT-1A	
1/3	1800	56C	65.5	1.15	230/460	SRF4S0.33TC61	LM24114	H	21	330	LT-1A	
	1200	56C	62.0	1.15	230/460	SRF6S0.33TC61	LM24948	H, W	22	487	LT-1A	
1/2	3600	56C	69.0	1.15	230/460	SRF2S0.5TC61	LM24129	H, W	22	336	LT-1A	
	1800	56C	70.0	1.15	230/460	SRF4S0.5TC61	LM24074	H	18	371	LT-1A	
	1200	56C	68.0	1.15	230/460	SRF6S0.5TC61	LM24104	H, Y	24	522	LT-1A	
	900	143TC	66.0	1.15	230/460	SSF8S0.5TC61	LM24949	K, Y	31	749	LT-1A	
3/4	3600	56C	74.0	1.15	230/460	SRF2S0.75TC61	LM24134	H, W	22	368	LT-1A	
	1800	56C	75.5	1.15	230/460	SRF4S0.75TC61	LM24076	H	20	396	LT-1A	
	1200	56C	74.0	1.15	230/460	SRF6S0.75TC61	LM24140	H	26	533	LT-1A	
	1200	143TC	74.0	1.15	230/460	SSF6S0.75TC61	LM24273	K, S	28	533	LT-1A	
	900	145TC	70.0	1.15	230/460	SSF8S0.75TC61	LM24265	K	49	852	LT-1A	
1	3600	56C	74.0	1.15	230/460	SRF2S1TC61	LM24126	H, W	25	425	LT-1A	
	1800	56C	77.0	1.15	230/460	SRF4S1TC61	LM24079	H, W	28	428	LT-1A	
	1800	143TC	82.5	1.25	230/460	SSF4P1TC61	LM24085	C, H, V	41	410	LT-1B	
	1200	56HC	78.5	1.15	230/460	SRF6S1TC61	LM24349	H	38	538	LT-1A	
	1200	145TC	80.0	1.25	230/460	SSF6P1TC61	LM24122	K, W	47	581	LT-1B	
	900	182TC	70.0	1.15	230/460	AAF8S1TC61	LM01263	H, V	68	833	LT-1A	
	1 1/2	3600	56C	80.0	1.15	230/460	SRF2S1.5TC61	LM24135	H	41	463	LT-1A
3600	143TC	82.5	1.25	230/460	SSF2P1.5TC61	LM24950	H, V	41	488	LT-1B		
1800	56HC	80.0	1.15	230/460	SRF4S1.5TC61	LM24095	H	31	434	LT-1A		
1800	145TC	84.0	1.25	230/460	SSF4P1.5TC61	LM24086	H, V	44	436	LT-1B		
1200	182TC	87.5	1.25	230/460	AAF6B1.5TC61	LM16728	K, M	95	788	LT-1E		
1200	182TC	85.5	1.25	230/460	AAF6P1.5TC61	LM13662	K, V	85	695	LT-1B		
1200	182TC	85.5	1.15	230/460	SSF6P1.5TC61	LM24951	H, V	54	685	LT-1B		
900	184TC	72.0	1.15	230/460	AAF8S1.5TC61	LM01304	H, ♦	75	1001	LT-1A		
2	3600	56HC	82.5	1.15	230/460	SRF2S2TC61	LM24121	H	38	514	LT-1A	
	3600	145TC	84.0	1.25	230/460	SSF2P2TC61	LM24113	H, V	40	557	LT-1B	
	1800	56HC	82.5	1.15	230/460	SRF4S2TC61	LM24081	H, V	50	440	LT-1A	
	1800	145TC	85.5	1.25	230/460	SSF4P2TC61	LM24087	H, V	46	458	LT-1B	
	1200	184TC	87.5	1.25	230/460	AAF6B2TC61	LM16739	C, K, M	104	870	LT-1E	
	1200	184TC	86.5	1.25	230/460	AAF6P2TC61	LM13665	K, V	104	734	LT-1B	
	1200	184TC	86.5	1.15	230/460	SSF6P2TC61	LM24952	H, V	56	732	LT-1B	
	900	213TC	75.5	1.15	230/460	AAF8S2TC61	LM01426		107	1184	LT-1A	
	3	3600	56HC	84.0	1.15	230/460	SRF2S3TC61	LM24953	H	53	595	LT-1A
		3600	182TC	87.5	1.25	230/460	AAF2B3TC61	LM16741	H, S, V	95	862	LT-1E
3600		182TC	85.5	1.25	230/460	AAF2P3TC61	LM13666	H, V	95	683	LT-1B	
3600		182TC	85.5	1.15	230/460	SSF2P3TC61	LM24954	H, V, D - G131899	66	626	LT-1B	
1800		182TC	90.2	1.25	230/460	AAF4B3TC61	LM16742	H, V	95	756	LT-1E	
1800		182TC	87.5	1.25	230/460	AAF4P3TC61	LM13667	H, S, Y	95	632	LT-1B	
1800		182TC	87.5	1.15	230/460	SSF4P3TC61	LM24955	H, D - G130326	79	563	LT-1B	
1200		213TC	89.5	1.25	230/460	AF6B3TC61	LM16744	K, M	138	1238	LT-1E	
1200		213TC	87.5	1.25	230/460	AF6P3TC61	LM13668	K, P	138	985	LT-1B	
1200		213TC	87.5	1.15	230/460	SSF6P3TC61	LM24956	H, V	90	916	LT-1B	
900		215TC	77.0	1.15	230/460	AF8S3TC61	LM01475		125	1251	LT-1A	
5		3600	184TC	89.5	1.25	230/460	AAF2B5TC61	LM16745	H, N	104	975	LT-1E
		3600	184TC	87.5	1.25	230/460	AAF2P5TC61	LM13669	H, ♣	104	816	LT-1B
	3600	184TC	87.5	1.15	230/460	SSF2P5TC61	LM24957	H, W, D - G131173	85	787	LT-1B	
	1800	184TC	90.2	1.25	230/460	AAF4B5TC61	LM16747	H, W	104	877	LT-1E	
	1800	184TC	87.5	1.25	230/460	AAF4P5TC61	LM13744	H, ♥	104	707	LT-1B	
	1800	184TC	87.5	1.15	230/460	SSF4P5TC61	LM24958	♣, N, S, D - G130328	90	629	LT-1B	
	1200	215TC	89.5	1.25	230/460	AF6B5TC61	LM16748	K, M	149	1420	LT-1E	
	1200	215TC	87.5	1.25	230/460	AF6P5TC61	LM13800	K, P	149	1246	LT-1B	
	1200	215TC	87.5	1.15	230/460	SSF6P5TC61	LM24959	H, V	115	1089	LT-1B	
	900	254TC	81.5	1.15	230/460	AF8S5TC61	LM01569		167	1750	LT-1A	

Prices and data subject to change without notice.

Product numbers in red are STOCK items.

TEFC
208, 230/460 AND 460 VOLTS • 3-PHASE
FOOT MOUNT & C-FACE
1/4 TO 400 HP



C-FACE WITH FEET (cont'd)

HP	SYN RPM	Frame	FL Nom Eff (%)	SF	Volts	Model Number	Product Number	Notes (see page 306)	Approx Shpg Wght (lbs)	List Price	Mult Sym	
7 1/2	3600	213TC	91.0	1.25	230/460	AAF2B7.5TC61	LM16750	H, M	138	\$1180	LT-1E	
	3600	G213TC	88.5	1.25	230/460	AF2P7.5TC61	LM13835	H, P	138	1060	LT-1B	
	3600	213TC	89.5	1.15	230/460	SSF2P7.5TC61	LM24960	H, ♦	118	953	LT-1B	
	1800	213TC	91.0	1.25	230/460	AF4B7.5TC61	LM16752	H, N	138	1154	LT-1E	
	1800	213TC	89.5	1.25	230/460	AF4P7.5TC61	LM16240	H, P	138	1038	LT-1B	
	1800	213TC	89.5	1.15	230/460	SSF4P7.5TC61	LM24961	H, ♣	135	904	LT-1B	
	1200	254TC	91.0	1.25	230/460	AAF6B7.5TC61	LM16753	K, P	221	1943	LT-1E	
	1200	254TC	89.5	1.25	230/460	AAF6P7.5TC61	LM16241	K, P	221	1782	LT-1B	
	900	256TC	82.5	1.15	230/460	AF8S7.5TC61	LM01614		203	2056	LT-1A	
	10	3600	215TC	91.0	1.25	230/460	AF2B10TC61	LM16755	H, N	149	1420	LT-1E
		3600	G215TC	89.5	1.25	230/460	AF2P10TC61	LM16242	H, P	149	1241	LT-1B
		3600	215TC	89.5	1.15	230/460	SSF2P10TC61	LM24962	H	125	1193	LT-1B
1800		215TC	91.0	1.25	230/460	AF4B10TC61	LM16757	H, N	149	1419	LT-1E	
1800		215TC	89.5	1.25	230/460	AF4P10TC61	LM16243	H, Q	149	1092	LT-1B	
1800		215TC	91.0	1.15	230/460	SSF4P10TC61	LM24963	H, W	135	999	LT-1B	
1200		256TC	91.0	1.25	230/460	AF6B10TC61	LM16759	K, M	248	2428	LT-1E	
1200		256TC	89.5	1.25	230/460	AAF6P10TC61	LM16244	K, N	248	2137	LT-1B	
15		3600	254TC	91.7	1.25	230/460	AF2B15TC61	LM16761	H, M	221	1943	LT-1E
		3600	G254TC	90.2	1.25	230/460	AAF2P15TC61	LM16245	H, N	221	1670	LT-1B
		1800	254TC	92.4	1.25	230/460	AF4B15TC61	LM16762	H, M, S	221	1999	LT-1E
		1800	254TC	91.0	1.25	230/460	AAF4P15TC61	LM16246	H, N	247	1572	LT-1B
	1200	284TC	92.4	1.25	230/460	AF6B15TC61Y	LM16764	C, K, M	370	3285	LT-1E	
	1200	284TC	90.2	1.25	230/460	AF6P15TC61Y	LM16247	C, K, Q	370	2839	LT-1C	
	20	3600	256TC	91.7	1.25	230/460	AF2B20TC61	LM16766	H, N	248	2445	LT-1E
		3600	256TC	90.2	1.25	230/460	AF2P20TC61	LM16248	H, Q	248	1963	LT-1B
		1800	256TC	93.0	1.25	230/460	AF4B20TC61	LM16767	C, H, M	248	2174	LT-1E
		1800	256TC	91.0	1.25	230/460	AF4P20TC61	LM16249	H, Q	284	1849	LT-1B
		1200	286TC	93.0	1.25	230/460	AF6B20TC61Y	LM16769	C, K, M	415	4264	LT-1E
		1200	286TC	90.2	1.25	230/460	AF6P20TC61Y	LM16250	C, K, Q	415	3316	LT-1C
25		3600	284TSC	92.4	1.25	230/460	AF2B25TSC61Y	LM16770	H, M	370	3215	LT-1E
		3600	284TSC	91.0	1.25	230/460	AF2P25TSC61Y	LM16251	H, P	370	2886	LT-1C
		1800	284TC	94.1	1.25	230/460	AF4B25TC61Y	LM16772	H, M	370	2915	LT-1E
		1800	284TC	92.4	1.25	230/460	AF4P25TC61Y	LM16252	H, Q, S	370	2537	LT-1C
		1800	284TSC	92.4	1.25	230/460	AF4P25TSC61Y	LM18897	H, Q, S	370	2531	LT-1C
		1200	324TC	93.0	1.25	230/460	SF6B25TC61Y	LM13723	C, K, N	514	4944	LT-1E
	1200	324TC	91.7	1.25	230/460	SF6P25TC61Y	LM13566	C, K, ♦	514	5151	LT-1C	
	30	3600	286TSC	93.0	1.25	230/460	AF2B30TSC61Y	LM16773	H, M	415	3784	LT-1E
		3600	286TSC	91.0	1.25	230/460	AF2P30TSC61Y	LM16253	H, Q, S	415	3155	LT-1C
		1800	286TC	94.5	1.25	230/460	AF4B30TC61Y	LM16774	H, M	415	3788	LT-1E
		1800	286TC	92.4	1.25	230/460	AF4P30TC61Y	LM16254	H, P	415	2965	LT-1C
		1800	286TSC	92.4	1.25	230/460	AF4P30TSC61Y	LM18907	H, P, S	415	2965	LT-1C
1200		326TC	92.4	1.25	230/460	SF6B30TC61Y	LM13724	C, K, Q	568	5442	LT-1E	
1200		326TC	91.7	1.25	230/460	SF6P30TC61Y	LM13567	C, K, Q	580	5161	LT-1C	
40		3600	324TSC	94.1	1.25	230/460	SF2B40TSC61Y	LM13725	H, P	514	5652	LT-1E
		3600	324TSC	91.7	1.25	230/460	SF2P40TSC61Y	LM13568	H, Q	514	4458	LT-1C
		1800	324TC	94.1	1.25	230/460	SF4B40TC61Y	LM13726	C, H, M	514	5482	LT-1E
		1800	324TC	93.0	1.25	230/460	SF4P40TC61Y	LM13569	C, H, ♦	514	3874	LT-1C
		1800	324TSC	93.0	1.25	230/460	SF4P40TSC61Y	LM16052	C, H, M, S, ♦	514	3874	LT-1C
	1200	364TC	94.5	1.25	230/460	SF6B40TC61Y	LM15565	C, K, M	777	7180	LT-1E	
	1200	364TC	93.0	1.15	230/460	SF6P40TC61Y	LM15554	K	777	5618	LT-1C	
	50	3600	326TSC	94.1	1.25	230/460	SF2B50TSC61Y	LM13727	H, M	568	5777	LT-1E
		3600	326TSC	92.4	1.25	230/460	SF2P50TSC61Y	LM13570	H, Q	568	5031	LT-1C
		1800	326TC	95.0	1.25	230/460	SF4B50TC61Y	LM13728	C, H, M	568	5275	LT-1E
		1800	326TC	93.0	1.25	230/460	SF4P50TC61Y	LM13571	C, H, N	568	4119	LT-1C
		1800	326TSC	93.0	1.25	230/460	SF4P50TSC61Y	LM16055	C, H, N	568	4119	LT-1C
1200		365TC	94.5	1.25	230/460	SF6B50TC61Y	LM15568	C, K, M	834	8016	LT-1E	
1200		365TC	93.0	1.25	230/460	SF6P50TC61Y	LM15557	K, Q, S	834	6923	LT-1C	

Prices and data subject to change without notice.

Product numbers in red are STOCK items.



TEFC

208, 230/460 AND 460 VOLTS • 3-PHASE
FOOT MOUNT & C-FACE
1/4 TO 400 HP

C-FACE WITH FEET (cont'd)

HP	SYN RPM	Frame	FL Nom Eff (%)	SF	Volts	Model Number	Product Number	Notes (see page 306)	Approx Shpg Wght (lbs)	List Price	Mult Sym
60	3600	364TSC	95.0	1.25	230/460	SF2B60TSC61Y	LM15562	H, M	777	\$7710	LT-1E
	3600	364TSC	93.0	1.25	230/460	SF2P60TSC61Y	LM15552	H, N	777	6271	LT-1C
	1800	364TC	95.0	1.25	230/460	SF4B60TC61Y	LM15563	C, H, N	777	7340	LT-1E
	1800	364TC	93.6	1.25	230/460	SF4P60TC61Y	LM15553	H, N	777	6296	LT-1C
	1800	364TSC	93.6	1.25	230/460	SF4P60TSC61Y	LM16059	H, N	777	6296	LT-1C
	1200	404TC	94.5	1.15	230/460	SF6B60TC61Y	LM16716	C, K, P	934	9423	LT-1E
1200	404TC	93.6	1.15	230/460	SF6P60TC61Y	LM13654	K, ♦	934	7960	LT-1D	
75	3600	365TSC	95.0	1.25	230/460	SF2B75TSC61Y	LM15566	H, M	834	9233	LT-1E
	3600	365TSC	93.0	1.25	230/460	SF2P75TSC61Y	LM15555	H	834	7965	LT-1C
	1800	365TC	95.0	1.15	230/460	SF4B75TC61Y	LM15567	C, J, N	834	9155	LT-1E
	1800	365TC	94.1	1.25	230/460	SF4P75TC61Y	LM15556	H, Q	834	7825	LT-1C
	1800	365TSC	94.1	1.25	230/460	SF4P75TSC61Y	LM16063	H, Q	834	7825	LT-1C
	1200	405TC	94.5	1.15	230/460	SF6B75TC61Y	LM16717	K, P	1018	12085	LT-1E
1200	405TC	93.6	1.15	230/460	SF6P75TC61Y	LM13655	K, Q	1018	10186	LT-1D	
100	3600	405TSC	95.8	1.15	230/460	SF2B100TSC61Y	LM16719	J, M	1018	12883	LT-1E
	3600	405TSC	93.6	1.15	230/460	SF2P100TSC61Y	LM13656	J, N	1018	10824	LT-1D
	1800	405TC	95.4	1.15	230/460	SF4B100TC61Y	LM15263	C, J, M	1018	11515	LT-1E
	1800	405TC	94.5	1.15	230/460	SF4P100TC61Y	LM13657	J, M	1018	9457	LT-1D
	1800	405TSC	94.5	1.15	230/460	SF4P100TSC61Y	LM20285	J, M	1018	9457	LT-1D
	1200	444TC	95.4	1.15	460	SF6B100TC64Y	LM13729	C, U	1372	15428	LT-1E
1200	444TC	94.1	1.15	460	SF6P100TC64Y	LM13572	U	1372	12529	LT-1D	
125	3600	444TSC	95.8	1.15	460	SF2B125TSC64Y	LM13730	N	1372	16499	LT-1E
	3600	444TSC	94.5	1.15	460	SF2P125TSC64Y	LM13573	M	1372	13192	LT-1D
	1800	444TC	96.2	1.15	460	SF4B125TC64Y	LM13731	C, M	1372	15328	LT-1E
	1800	444TC	94.5	1.15	460	SF4P125TC64Y	LM13574	C, M, S	1372	12593	LT-1D
	1800	444TSC	94.5	1.15	460	SF4P125TSC64Y	LM20291	C, M	1372	12593	LT-1D
	1200	445TC	95.8	1.15	460	SF6B125TC64Y	LM13732	C, U	1552	18591	LT-1E
1200	445TC	94.1	1.15	460	SF6P125TC64Y	LM13575	C, ♦	1525	14846	LT-1D	
150	3600	445TSC	96.2	1.15	460	SF2B150TSC64Y	LM13733	M	1552	20366	LT-1E
	3600	445TSC	94.5	1.15	460	SF2P150TSC64Y	LM13576	N	1525	16186	LT-1D
	1800	445TC	96.2	1.15	460	SF4B150TC64Y	LM13734	C, N	1552	17840	LT-1E
	1800	445TC	95.0	1.15	460	SF4P150TC64Y	LM13577	C, N, S, ♣	1525	14502	LT-1D
	1800	445TSC	95.0	1.15	460	SF4P150TSC64Y	LM20642	C, ♣	1525	14502	LT-1D
	1200	445TC	95.8	1.15	460	SF6B150TC64Y	LM13735	C, U	1552	21687	LT-1E
1200	445TC	95.0	1.15	460	SF6P150TC64Y	LM13578	C	1525	17299	LT-1D	
200	3600	445TSC	96.2	1.15	460	SF2B200TSC64Y	LM13736	N	1552	25535	LT-1E
	3600	445TSC	95.0	1.15	460	SF2P200TSC64Y	LM13579	N	1525	20348	LT-1D
	1800	445TC	96.2	1.15	460	SF4B200TC64Y	LM13737	C, N	1552	21352	LT-1E
	1800	445TC	95.0	1.15	460	SF4P200TC64Y	LM13580	C, S	1525	17808	LT-1D
	1800	445TSC	95.0	1.15	460	SF4P200TSC64Y	LM20300	C	1525	17808	LT-1D
	1200	447TC	96.2	1.15	460	SF6B250TC64Y	LM13740	N	1833	25409	LT-1E
1200	447TC	95.0	1.15	460	SF6P250TC64Y	LM13583	U	1833	21178	LT-1D	
300	3600	449TSC	96.2	1.15	460	SF2B300TSC64Y	LM13742	U	2206	40049	LT-1E
	3600	449TSC	95.4	1.15	460	SF2P300TSC64Y	LM13585		2206	29798	LT-1D
	1800	447TC	96.2	1.15	460	SF4B300TC64Y	LM13743	N	1833	27753	LT-1E
	1800	449TC	95.4	1.15	460	SF4P300TC64Y	LM19193	U	2206	23201	LT-1D
	1800	447TC	95.4	1.00	460	SF4P300TC64Y	LM15308		1833	22129	LT-1D

Prices and data subject to change without notice.

Product numbers in red are STOCK items.

TEFC
208, 230/460 AND 460 VOLTS • 3-PHASE
FOOT MOUNT & C-FACE
1/4 TO 400 HP



C-FACE WITH FEET (cont'd)

HP	SYN RPM	Frame	FL Nom Eff (%)	SF	Volts	Model Number	Product Number	Notes (see page 306)	Approx Shpg Wght (lbs)	List Price	Mult Sym
350	3600	449TSC	95.8	1.15	460	SF2B350TSC64Y	LM13745	U	2206	\$41475	LT-1E
	3600	449TSC	95.4	1.00	460	SF2P350TSC64Y	LM13588		2206	32978	LT-1D
	1800	449TC	96.2	1.15	460	SF4B350TC64Y	LM13746	U	2206	34112	LT-1E
	1800	449TC	95.4	1.15	460	SF4P350TC64Y	LM15400		2206	22895	LT-1D
400	3600	449TSC	95.8	1.00	460	SF2B400TSC64Y	LM13747		2206	50508	LT-1E
	3600	449TSC	95.4	1.00	460	SF2P400TSC64Y	LM13590		2206	40135	LT-1D
	1800	449TC	96.2	1.15	460	SF4B400TC64Y	LM13748	U	2206	39132	LT-1E
	1800	449TC	95.4	1.00	460	SF4P400TC64Y	LM13591		2206	30056	LT-1D

C-FACE FOOTLESS

HP	SYN RPM	Frame	FL Nom Eff (%)	SF	Volts	Model Number	Product Number	Notes (see page 306)	Approx Shpg Wght (lbs)	List Price	Mult Sym
1/4	1800	56C	62.5	1.15	230/460	SRF4S0.25TCN61	LM24964	H, V	14	\$281	LT-1A
1/3	1800	56C	65.5	1.15	230/460	SRF4S0.33TCN61	LM24093	H	15	303	LT-1A
	1200	56C	62.0	1.15	230/460	SRF6S0.33TCN61	LM24858	H, W	21	463	LT-1A
1/2	3600	56C	69.0	1.15	230/460	SRF2S0.5TCN61	LM24138	H, W	22	315	LT-1A
	1800	56C	70.0	1.15	230/460	SRF4S0.5TCN61	LM24083	H	17	369	LT-1A
	1200	56C	68.0	1.15	230/460	SRF6S0.5TCN61	LM24128	H, X	23	499	LT-1A
	900	143TC	66.0	1.15	230/460	SSF8S0.5TCN61	LM24965	K, Y	31	749	LT-1A
3/4	3600	56C	74.0	1.15	230/460	SRF2S0.75TCN61	LM24151	H, W	22	330	LT-1A
	1800	56C	75.5	1.15	230/460	SRF4S0.75TCN61	LM24077	H	21	383	LT-1A
	1200	56C	74.0	1.15	230/460	SRF6S0.75TCN61	LM24153	H	26	522	LT-1A
	1200	143TC	74.0	1.15	230/460	SSF6S0.75TCN61	LM24966	K	29	522	LT-1A
	900	145TC	70.0	1.15	230/460	SSF8S0.75TCN61	LM24967	K	49	852	LT-1A
1	3600	56C	74.0	1.15	230/460	SRF2S1TCN61	LM24139	H, W	24	391	LT-1A
	1800	56C	77.0	1.15	230/460	SRF4S1TCN61	LM24080	H, W	27	409	LT-1A
	1800	143TC	82.5	1.25	230/460	SSF4P1TCN61	LM24148	C, H, S, V	28	473	LT-1B
	1800	143TC	77.0	1.15	230/460	SSF4S1TCN61	LM24968	H, W	28	409	LT-1A
	1200	56HC	78.5	1.15	230/460	SRF6S1TCN61	LM24130	H	33	514	LT-1A
	1200	145TC	77.0	1.15	230/460	SSF6S1TCN61	LM24969	H	33	514	LT-1A
1 1/2	3600	56C	80.0	1.15	230/460	SRF2S1.5TCN61	LM24096	H	26	428	LT-1A
	3600	143TC	80.0	1.15	230/460	SSF2S1.5TCN61	LM24970	H	27	425	LT-1A
	1800	56C	80.0	1.15	230/460	SRF4S1.5TCN61	LM24112	H	29	435	LT-1A
	1800	145TC	84.0	1.25	230/460	SSF4P1.5TCN61	LM24149	H, S, V	31	476	LT-1B
	1800	145TC	80.0	1.15	230/460	SSF4S1.5TCN61	LM24971	H, W	31	421	LT-1A
	1200	182TC	75.5	1.15	230/460	SSF6S1.5TCN61	LM24972	H	69	607	LT-1A
2	3600	56HC	82.5	1.15	230/460	SRF2S2TCN61	LM24132	H	29	488	LT-1A
	3600	145TC	80.0	1.15	230/460	SSF2S2TCN61	LM24973	H	30	488	LT-1A
	1800	56HC	82.5	1.15	230/460	SRF4S2TCN61	LM24084	H, V	39	463	LT-1A
	1800	145TC	85.5	1.25	230/460	SSF4P2TCN61	LM24125	A, H, S, V	39	513	LT-1B
	1800	145TC	82.5	1.15	230/460	SSF4S2TCN61	LM24260	H, V	39	448	LT-1A
	1200	184TC	79.0	1.15	230/460	SSF6S2TCN61	LM24974	H, D - 131525	80	673	LT-1A
3	3600	56HC	84.0	1.15	230/460	SRF2S3TCN61	LM24975	H	40	558	LT-1A
	3600	145TC	84.0	1.15	230/460	SSF2S3TCN61	LM24976	H	40	558	LT-1A
	3600	182TC	82.5	1.15	230/460	SSF2S3TCN61	LM24977	H, D - 131513	72	615	LT-1A
	1800	145TC	84.0	1.15	230/460	SSF4S3TCN61	LM24978	H	50	581	LT-1A
	1800	182TC	90.2	1.25	230/460	AAF4B3TCN61	LM16824	H, V	95	756	LT-1E
	1800	182TC	87.5	1.25	230/460	AAF4P3TCN61	LM16298	H, P, S	95	619	LT-1B
	1800	182TC	82.5	1.15	230/460	SSF4S3TCN61	LM24979	H, W, D - 131491	76	550	LT-1A
	1200	213TC	80.0	1.15	230/460	SSF6S3TCN61	LM24980	H	75	849	LT-1A

Prices and data subject to change without notice.

Product numbers in red are STOCK items.



TEFC

208, 230/460 AND 460 VOLTS • 3-PHASE
 FOOT MOUNT & C-FACE
 1/4 TO 400 HP

C-FACE FOOTLESS (cont'd)

HP	SYN RPM	Frame	FL Nom Eff (%)	SF	Volts	Model Number	Product Number	Notes (see page 306)	Approx Shpg Wght (lbs)	List Price	Mult Sym
5	3600	184TC	84.0	1.15	230/460	SSF2S5TCN61	LM24981	H, D - 131514	79	\$706	LT-1A
	1800	184TC	90.2	1.25	230/460	AAF4B5TCN61	LM16825	H, W	104	877	LT-1E
	1800	184TC	87.5	1.25	230/460	AAF4P5TCN61	LM16299	H, Q, S	104	707	LT-1B
	1800	184TC	86.5	1.15	230/460	SSF4S5TCN61	LM24982	A, H, D - 131492	92	632	LT-1A
	1200	215TC	84.0	1.15	230/460	SSF6S5TCN61	LM24983	H	80	1150	LT-1A
7 1/2	3600	184TC	85.5	1.15	230/460	SSF2S7.5TCN61	LM24984	H, D - 131510	100	914	LT-1A
	3600	213TC	84.0	1.15	230/460	SSF2S7.5TCN61	LM24985	H, W	80	925	LT-1A
	1800	213TC	91.0	1.25	230/460	AF4B7.5TCN61	LM16826	H, N	138	1201	LT-1E
	1800	213TC	89.5	1.25	230/460	AF4P7.5TCN61	LM16300	H, P, S	138	895	LT-1B
	1800	213TC	87.5	1.15	230/460	SSF4S7.5TCN61	LM24986	H	103	812	LT-1A
10	3600	215TC	86.5	1.15	230/460	SSF2S10TCN61	LM24987	H	102	1193	LT-1A
	1800	215TC	91.0	1.25	230/460	AF4B10TCN61	LM16827	H, N	149	1420	LT-1E
	1800	215TC	89.5	1.25	230/460	AF4P10TCN61	LM16301	H, Q, S	149	1073	LT-1B
	1800	215TC	88.5	1.15	230/460	SSF4S10TCN61	LM24988	H	135	976	LT-1A
	15	3600	215TC	88.5	1.15	230/460	SSF2S15TCN61	LM24989	H	125	1499
1800	254TC	91.7	1.25	230/460	AF4B15TCN61	LM16828	H, M	221	1944	LT-1E	
	254TC	91.0	1.25	230/460	AF4P15TCN61	LM16302	H, N, S	221	1572	LT-1B	
20	1800	256TC	91.7	1.25	230/460	AF4B20TCN61	LM16829	H, N	248	2330	LT-1E
	1800	256TC	91.0	1.25	230/460	AF4P20TCN61	LM16303	H, Q, S	248	1849	LT-1B

Prices and data subject to change without notice.

Product numbers in red are STOCK items.

TEFC CAST IRON
208, 230/460 VOLTS • 3-PHASE
FOOT MOUNT & C-FACE
1 TO 400 HP



Features:

- Cast iron frame and end brackets, cast iron fan shroud on frames 324T and larger.
- Industry leading 1.25 service factor on some sizes
- Two levels of premium efficiency
- Nameplated for 50 Hz and 208 V/60Hz operation – see “Notes” column.
- Inverter-Rated*
- Continuous Duty
- Premium Class F Insulation system
- Warranty:
 (sine-wave power) 42 months from date of manufacture and 36 months from date of installation which ever period expires first.
 (inverter power*) 30 months from date of manufacture and 24 months from date of installation which ever period expires first.
- Shielded ball bearing for direct coupled applications. Contact your local sales office for belted applications.



Applications:

For use where exposure to water, dust and corrosives exists. Ideally suited for use on pumps, compressors, fans, blowers, conveyors, machine tools and other industrial applications.

FOOT MOUNT

HP	SYN RPM	Frame	FL Nom Eff (%)	SF	Volts	Model Number	Product Number	Notes (see page 306)	Approx Shpg Wght (lbs)	List Price	Mult Sym
1	1800	143T	85.5	1.25	230/460	CCN4B1T61	LM24102	C, H, V	56	\$600	LT-3E
	1800	143T	82.5	1.25	230/460	CCN4P1T61	LM25639	C, H, V	56	542	LT-3B
	1200	145T	80.0	1.15	230/460	CCF6B1T61	LM15856	C	56	722	LT-3E
	1200	145T	80.0	1.15	230/460	CCN6P1T61	LM24167	K, W	57	614	LT-3B
1 1/2	3600	143T	86.5	1.15	230/460	CCF2B1.5T61	LM15854		54	761	LT-3E
	3600	143T	86.5	1.25	230/460	CCN2P1.5T61	LM25631	H, V	54	614	LT-3B
	1800	145T	84.0	1.25	230/460	CCN4B1.5T61	LM25637	H	62	640	LT-3E
	1800	145T	84.0	1.15	230/460	CCN4P1.5T61	LM24164		62	560	LT-3B
	1200	182T	87.5	1.15	230/460	CCF6B1.5T61	LM15868		112	797	LT-3E
	1200	182T	85.5	1.25	230/460	CCF6P1.5T61	LM25633	H, V	89	651	LT-3B
2	3600	145T	84.0	1.15	230/460	CCN2B2T61	LM15857	V	71	838	LT-3E
	3600	145T	84.0	1.15	230/460	CCN2P2T61	LM24157	H, W, S	65	651	LT-3B
	1800	145T	85.5	1.15	230/460	CCN4B2T61	LM24127	C, H, W, S	64	674	LT-3E
	1800	145T	84.0	1.25	230/460	CCF4P2T61	LM24115	C, H, V, S	57	577	LT-3B
	1200	184T	87.5	1.15	230/460	CCN6B2T61	LM15871		126	1029	LT-3E
	1200	184T	86.5	1.25	230/460	CCF6P2T61	LM24224	K, V	126	724	
3	3600	182T	87.5	1.15	230/460	CCN2B3T61	LM15866		107	877	LT-3E
	3600	182T	86.5	1.25	230/460	CCF2P3T61	LM25634	H, V	84	724	LT-3B
	1800	182T	90.2	1.15	230/460	CCF4B3T61	LM25638	K, X	82	841	LT-3E
	1800	182T	87.5	1.25	230/460	CCF4P3T61AP21	LM24189	H, V	90	564	LT-3B
	1200	213T	89.5	1.15	230/460	CCF6B3T61	LM15880	C	173	1345	LT-3E
	1200	213T	87.5	1.25	230/460	CCF6P3T61	LM24230	K, S, V	154	962	LT-3B
5	3600	184T	88.5	1.15	230/460	CCF2B5T61	LM15869		108	988	LT-3E
	3600	184T	87.5	1.25	230/460	CCF2P5T61	LM24188	H, S, W	108	833	LT-3B
	1800	184T	90.2	1.15	230/460	CCF4B5T61	LM24195	H, S, W	117	922	LT-3E
	1800	184T	87.5	1.25	230/460	CCF4P5T61AP21	LM24180	H, S, W	123	651	LT-3B
	1200	215T	89.5	1.15	230/460	CCF6B5T61	LM15883		203	1503	LT-3E
	1200	215T	88.5	1.25	230/460	CCF6P5T61	LM24242	H, S, V	174	1267	LT-3B
7 1/2	3600	213T	91.7	1.15	230/460	CCF2B7.5T61	LM15878		192	1236	LT-3E
	3600	213T	88.5	1.25	230/460	CCF2P7.5T61	LM24198	H, W	188	1054	LT-3B
	1800	213T	91.7	1.15	230/460	CCF4B7.5T61	LM24209	H, S, V	194	1111	LT-3E
	1800	213T	89.5	1.25	230/460	CCF4P7.5T61AP21	LM24183	H, S, W	194	830	LT-3B
	1200	254T	91.0	1.15	230/460	CCF6B7.5T61	LM15892		223	2029	LT-3E
	1200	254T	89.5	1.25	230/460	CCF6P7.5T61	LM25635	C, H, V	300	1940	LT-3B

Prices and data subject to change without notice.

Product numbers in red are STOCK items.



TEFC CAST IRON

208, 230/460 VOLTS • 3-PHASE
 FOOT MOUNT & C-FACE
 1 TO 400 HP

FOOT MOUNT (cont'd)

HP	SYN RPM	Frame	FL Nom Eff (%)	SF	Volts	Model Number	Product Number	Notes (see page 306)	Approx Shpg Wght (lbs)	List Price	Mult Sym
10	3600	215T	90.2	1.15	230/460	CCF2B10T61	LM15881		218	\$3357	LT-3E
	3600	215T	89.5	1.25	230/460	CCF2P10T61	LM24201	H, S, W	217	1231	LT-3B
	1800	215T	91.7	1.15	230/460	CCF4B10T61	LM24213	H, S, W	213	1445	LT-3E
	1800	215T	89.5	1.15	230/460	CCF4P10T61AP21	LM24185	J, Q, S	227	1010	LT-3B
	1200	256T	91.0	1.15	230/460	CCF6B10T61	LM15895		368	2512	LT-3E
	1200	256T	89.5	1.25	230/460	CCF6P10T61	LM25636	H, V	393	2189	LT-3B
15	3600	254T	91.7	1.15	230/460	CCF2B15T61	LM15890		384	2052	LT-3E
	3600	254T	90.2	1.25	230/460	CCF2P15T61	LM24191	H, W	370	1736	LT-3B
	1800	254T	92.4	1.15	230/460	CCF4B15T61	LM24208	H, S, V	322	1880	LT-3E
	1800	254T	91.0	1.25	230/460	CCF4P15T61AP21	LM24182	H, S, W	365	1489	LT-3B
	1200	284T	91.7	1.15	230/460	CCF6B15T61Y	LM15793		483	3423	LT-3E
	1200	284T	90.2	1.15	230/460	CCF6P15T61Y	LM15787	S	485	2930	LT-3C
20	3600	256T	92.4	1.15	230/460	CCF2B20T61	LM15893		385	2512	LT-3E
	3600	256T	90.2	1.15	230/460	CCF2P20T61	LM24196	J, W	334	2098	LT-3B
	1800	256T	93.0	1.15	230/460	CCF4B20T61	LM24207	H, W	368	2283	LT-3E
	1800	256T	91.0	1.15	230/460	CCF4P20T61AP21	LM24186	J, Q, S	420	1765	LT-3B
	1200	286T	91.7	1.15	230/460	CCF6B20T61Y	LM15796		515	3993	LT-3E
	1200	286T	90.2	1.15	230/460	CCF6P20T61Y	LM15790	S	510	3438	LT-3C
25	3600	284TS	93.6	1.15	230/460	CCF2B25TS61Y	LM15791		461	3117	LT-3E
	3600	284TS	91.0	1.15	230/460	CCF2P25TS61Y	LM15785		384	2714	LT-3C
	1800	284T	93.6	1.15	230/460	CCF4B25T61Y	LM15792		495	2852	LT-3E
	1800	284T	92.4	1.15	230/460	CCF4P25T61Y	LM15786	S	440	2169	LT-3C
	1200	324T	92.4	1.15	230/460	CCF6B25T61Y	LM19747		637	4990	LT-3E
	1200	324T	91.7	1.15	230/460	CCF6P25T61Y	LM19546		565	4240	LT-3C
30	3600	286TS	93.6	1.15	230/460	CCF2B30TS61Y	LM15794		496	3690	LT-3E
	3600	286TS	91.0	1.15	230/460	CCF2P30TS61Y	LM15788	S	428	3220	LT-3C
	1800	286T	94.1	1.15	230/460	CCF4B30T61Y	LM15795		519	3367	LT-3E
	1800	286T	92.4	1.15	230/460	CCF4P30T61Y	LM15789	H, S	494	2593	LT-3C
	1200	326T	92.4	1.15	230/460	CCF6B30T61Y	LM19748		689	5664	LT-3E
	1200	326T	91.7	1.15	230/460	CCF6P30T61Y	LM19545		633	4898	LT-3C
40	3600	324TS	94.1	1.15	230/460	CCF2B40TS61Y	LM19749		664	4706	LT-3E
	3600	324TS	91.7	1.15	230/460	CCF2P40TS61Y	LM19547		540	4069	LT-3C
	1800	324T	94.1	1.15	230/460	CCF4B40T61Y	LM19750		602	4334	LT-3E
	1800	324T	93.0	1.15	230/460	CCF4P40T61Y	LM27812	S	575	3721	LT-3C
	1200	364T	93.6	1.15	230/460	CCF6B40T61Y	LM19751		835	7297	LT-3E
	1200	364T	93.0	1.15	230/460	CCF6P40T61Y	LM19549		799	6248	LT-3C
50	3600	326TS	94.5	1.15	230/460	CCF2B50TS61Y	LM19752		732	6047	LT-3E
	3600	326TS	93.0	1.15	230/460	CCF2P50TS61Y	LM19550		581	5228	LT-3C
	1800	326T	94.5	1.15	230/460	CCF4B50T61Y	LM19753		744	5412	LT-3E
	1800	326T	93.6	1.15	230/460	CCF4P50T61Y	LM27810	S	630	4342	LT-3C
	1200	365T	93.6	1.15	230/460	CCF6B50T61Y	LM19754		955	8625	LT-3E
	1200	365T	93.0	1.25	230/460	CCF6P50T61Y	LM19552		1063	7385	LT-3C
60	3600	364TS	94.5	1.15	230/460	CCF2B60TS61Y	LM19755		918	7787	LT-3E
	3600	364TS	93.0	1.15	230/460	CCF2P60TS61Y	LM19553		936	6665	LT-3C
	1800	364T	94.5	1.15	230/460	CCF4B60T61Y	LM19756		980	7929	LT-3E
	1800	364T	93.6	1.15	230/460	CCF4P60T61Y	LM19554		920	6450	LT-3C
	1200	404T	94.5	1.15	230/460	CCF6B60T61Y	LM19757	C	1156	7960	LT-3E
	1200	404T	93.6	1.15	230/460	CCF6P60T61Y	LM19555	Q	1227	8462	LT-3D
75	3600	365TS	94.1	1.15	230/460	CCF2B75TS61Y	LM19758		1001	9868	LT-3E
	3600	365TS	93.6	1.15	230/460	CCF2P75TS61Y	LM19556		1001	8449	LT-3C
	1800	365T	94.5	1.15	230/460	CCF4B75T61Y	LM19759		1018	9469	LT-3E
	1800	365T	94.1	1.15	230/460	CCF4P75T61Y	LM19557	P, S	1088	7946	LT-3C
	1200	405T	94.1	1.15	230/460	CCF6B75T61Y	LM19760		1280	12343	LT-3E
	1200	405T	94.5	1.15	230/460	CCF6P75T61Y	LM19558	C	1289	10322	LT-3D

Prices and data subject to change without notice.

Product numbers in red are STOCK items.

TEFC CAST IRON
208, 230/460 VOLTS • 3-PHASE
FOOT MOUNT & C-FACE
1 TO 400 HP



FOOT MOUNT (cont'd)

HP	SYN RPM	Frame	FL Nom Eff (%)	SF	Volts	Model Number	Product Number	Notes (see page 306)	Approx Shpg Wght (lbs)	List Price	Mult Sym
100	3600	405TS	94.1	1.15	230/460	CCF2P100TS61Y	LM19559		1296	\$11218	LT-3D
	1800	405T	95.4	1.15	230/460	CCF4B100T61Y	LM19762		1338	11979	LT-3E
	1800	405T	94.5	1.15	230/460	CCF4P100T61Y	LM19560	S, V	1338	9611	LT-3D
	1200	444T	94.1	1.15	460	CCF6P100T64Y	LM19561		1874	13237	LT-3D
125	3600	444TS	94.5	1.15	460	CCF2P125TS64Y	LM19562		1874	13831	LT-3D
	1800	444T	95.4	1.15	460	CCF4B125T64Y	LM19765		1874	15287	LT-3E
	1800	444T	94.5	1.15	460	CCF4P125T64Y	LM19563	N	1874	12261	LT-3D
	1200	445T	94.1	1.15	460	CCF6P125T64Y	LM19564		2042	15936	LT-3D
150	3600	445TS	95.0	1.15	460	CCF2P150TS64Y	LM19565		2099	16797	LT-3D
	1800	445T	95.4	1.15	460	CCF4B150T64Y	LM19768		2070	17874	LT-3E
	1800	445T	95.0	1.15	460	CCF4P150T64Y	LM19566	S	2116	14911	LT-3D
	1200	445T	95.0	1.15	460	CCF6P150T64Y	LM19567		2042	18133	LT-3D
200	3600	445TS	95.0	1.15	460	CCF2P200TS64Y	LM19568		2332	21264	LT-3D
	1800	445T	95.4	1.15	460	CCF4P200T64Y	LM19569	U	2305	18110	LT-3D
	1200	449T	95.0	1.15	460	CCF6P200T64Y	LM19570		3087	21659	LT-3D
250	3600	449TS	95.4	1.15	460	CCF2P250TS64Y	LM19571		2685	26999	LT-3D
	1800	449T	95.4	1.15	460	CCF4P250T64Y	LM19572		2760	22192	LT-3D
	1200	449T	95.4	1.15	460	CCF6P250T64Y	LM30826		3408	26999	LT-3D
300	3600	449TS	95.4	1.15	460	CCF2P300TS64Y	LM19574		2850	33002	LT-3D
	1800	449T	95.0	1.15	460	CCF4P300T64Y	LM19575		2980	23781	LT-3D
	1200	449T	95.4	1.00	460	CCF6P300T64Y	LM19576		3440	34553	LT-3D
350	3600	449TS	95.4	1.15	460	CCF2P350TS64Y	LM19577		3050	36601	LT-3D
	1800	449T	95.4	1.15	460	CCF4P350T64Y	LM19578		3218	26324	LT-3D
400	1800	449T	95.8	1.00	460	CCF4P400T64Y	LM19580		3263	33569	LT-3D

C-FACE WITH FEET

HP	SYN RPM	Frame	FL Nom Eff (%)	SF	Volts	Model Number	Product Number	Notes (see page 306)	Approx Shpg Wght (lbs)	List Price	Mult Sym
1	1800	143TC	84.0	1.15	230/460	CCN4B1TC61	LM16775	C, H, V	66	\$640	LT-3E
	1800	143TC	82.5	1.25	230/460	CCN4P1TC61	LM16255	C, H, V	59	581	LT-3B
	1200	145TC	80.0	1.25	230/460	CCN6P1TC61	LM16256	C, K, W	59	653	LT-3B
1 1/2	3600	143TC	86.5	1.15	230/460	CCF2B1.5TC61	LM16777		66	799	LT-3E
	3600	143TC	82.5	1.25	230/460	CCN2P1.5TC61	LM16257	H, V	62	653	LT-3B
	1800	145TC	84.0	1.15	230/460	CCN4B1.5TC61	LM16778	C, H	66	678	LT-3E
	1800	145TC	84.0	1.15	230/460	CCN4P1.5TC61	LM16258	H, W	66	598	LT-3B
	1200	182TC	85.5	1.25	230/460	CCF6P1.5TC61	LM16259	H, V	93	716	LT-3B
2	3600	145TC	84.0	1.15	230/460	CCN2B2TC61	LM16780		66	876	LT-3E
	3600	145TC	84.0	1.15	230/460	CCN2P2TC61	LM16260	H, W	71	689	LT-3B
	1800	145TC	85.5	1.15	230/460	CCN4B2TC61	LM16781	C, H, W	66	713	LT-3E
	1800	145TC	84.0	1.25	230/460	CCF4P2TC61	LM16261	C, H, V	63	617	LT-3B
	1200	184TC	86.5	1.25	230/460	CCF6P2TC61	LM16262		132	782	LT-3B
3	3600	182TC	87.5	1.15	230/460	CCN2B3TC61	LM16783		120	933	LT-3E
	3600	182TC	86.5	1.25	230/460	CCF2P3TC61	LM16263	H, V	88	782	LT-3B
	1800	182TC	90.2	1.15	230/460	CCF4B3TC61	LM16784	K, X	120	897	LT-3E
	1800	182TC	87.5	1.25	230/460	CCF4P3TC61	LM16264		95	703	LT-3B
	1200	213TC	87.5	1.25	230/460	CCF6P3TC61	LM16265	K, V	182	935	LT-3B
5	3600	184TC	88.5	1.15	230/460	CCF2B5TC61	LM16786		120	1008	LT-3E
	3600	184TC	87.5	1.25	230/460	CCF2P5TC61	LM16266	H, W	113	890	LT-3B
	1800	184TC	90.2	1.15	230/460	CCF4B5TC61	LM16787	H, W	120	981	LT-3E
	1800	184TC	87.5	1.25	230/460	CCF4P5TC61	LM16267	S	129	763	LT-3B
	1200	215TC	87.5	1.25	230/460	CCF6P5TC61	LM16268	K, S, V	213	1333	LT-3B

Prices and data subject to change without notice.

Product numbers in red are STOCK items.



TEFC CAST IRON

208, 230/460 VOLTS • 3-PHASE
 FOOT MOUNT & C-FACE
 1 TO 400 HP

C-FACE WITH FEET (cont'd)

HP	SYN RPM	Frame	FL Nom Eff (%)	SF	Volts	Model Number	Product Number	Notes (see page 306)	Approx Shpg Wght (lbs)	List Price	Mult Sym
7 1/2	3600	213TC	91.7	1.15	230/460	CCF2B7.5TC61	LM16789		183	\$1304	LT-3E
	3600	213TC	88.5	1.25	230/460	CCF2P7.5TC61	LM16269	H, W	197	1080	LT-3B
	1800	213TC	91.7	1.15	230/460	CCF4B7.5TC61	LM16790	H, V	183	1265	LT-3E
	1800	213TC	89.5	1.25	230/460	CCF4P7.5TC61	LM16270	S	204	1134	LT-3B
	1200	254TC	89.5	1.25	230/460	CCF6P7.5TC61	LM16271	C, H, V	315	1824	LT-3B
10	3600	215TC	90.2	1.15	230/460	CCF2B10TC61	LM16792		183	1474	LT-3E
	3600	215TC	89.5	1.25	230/460	CCF2P10TC61	LM16272	H, W	228	1297	LT-3B
	1800	215TC	91.7	1.15	230/460	CCF4B10TC61	LM16793	H, W	183	1513	LT-3E
	1800	215TC	91.0	1.15	230/460	CCF4P10TC61	LM16273		238	1297	LT-3B
	1200	256TC	89.5	1.25	230/460	CCF6P10TC61	LM16274		413	2278	LT-3B
15	3600	254TC	91.7	1.15	230/460	CCF2B15TC61	LM16795		272	2141	LT-3E
	3600	254TC	90.2	1.25	230/460	CCF2P15TC61	LM16275	H, W	509	1923	LT-3B
	1800	254TC	92.4	1.15	230/460	CCF4B15TC61	LM16796	H, V	272	1969	LT-3E
	1800	254TC	91.0	1.25	230/460	CCF4P15TC61	LM16276	S	389	1898	LT-3B
	1200	284TC	90.2	1.15	230/460	CCF6P15TC61Y	LM16277	Q	383	3084	LT-3C
20	3600	256TC	92.4	1.15	230/460	CCF2B20TC61	LM16798		272	2599	LT-3E
	3600	256TC	90.2	1.15	230/460	CCF2P20TC61	LM16278	J, W	536	2187	LT-3B
	1800	256TC	93.0	1.15	230/460	CCF4B20TC61	LM16799	H, W	272	2371	LT-3E
	1800	256TC	91.0	1.15	230/460	CCF4P20TC61	LM16279	S	351	1969	LT-3B
	1200	286TC	90.2	1.25	230/460	CCF6P20TC61Y	LM16280	Q	504	3590	LT-3C
25	3600	284TSC	93.6	1.15	230/460	CCF2B25TSC61Y	LM16801		531	3271	LT-3E
	3600	284TSC	91.0	1.15	230/460	CCF2P25TSC61Y	LM16281		400	2866	LT-3C
	1800	284TC	93.6	1.15	230/460	CCF4B25TC61Y	LM16802		531	3005	LT-3E
	1800	284TC	92.4	1.25	230/460	CCF4P25TC61Y	LM16282	S	460	2541	LT-3C
	30	286TSC	91.0	1.15	230/460	CCF2P30TSC61Y	LM16283		290	3373	LT-3C
30	1800	286TC	94.1	1.15	230/460	CCF4B30TC61Y	LM16804		531	3519	LT-3E
	1800	286TC	92.5	1.15	230/460	CCF4P30TC61Y	LM16284	C	455	2975	LT-3C
	40	324TSC	91.7	1.15	230/460	CCF2P40TSC61Y	LM19583		567	4325	LT-3C
	1800	324TC	94.1	1.15	230/460	CCF4B40TC61Y	LM13673		755	4589	LT-3E
	1800	324TC	93.0	1.15	230/460	CCF4P40TC61Y	LM19584		515	3983	LT-3C
50	3600	326TSC	93.0	1.15	230/460	CCF2P50TSC61Y	LM19585		610	5484	LT-3C
	1800	326TC	94.5	1.15	230/460	CCF4B50TC61Y	LM13675		731	5466	LT-3E
	1800	326TC	93.6	1.15	230/460	CCF4P50TC61Y	LM19586		610	4597	LT-3C
60	3600	364TSC	93.0	1.15	230/460	CCF2P60TSC61Y	LM16287		983	7076	LT-3C
	1800	364TC	94.5	1.15	230/460	CCF4B60TC61Y	LM20032		989	8339	LT-3E
	1800	364TC	93.6	1.25	230/460	CCF4P60TC61Y	LM16288	W	989	6923	LT-3C
75	3600	365TSC	93.6	1.15	230/460	CCF2P75TSC61Y	LM16290		1051	8859	LT-3C
	1800	365TC	94.5	1.15	230/460	CCF4B75TC61Y	LM19795	Y	1098	9879	LT-3E
	1800	365TC	94.1	1.15	230/460	CCF4P75TC61Y	LM16291		1030	8370	LT-3C
100	1800	405TC	95.4	1.15	230/460	CCF4B100TC61Y	LM19798		1213	12466	LT-3E
	1800	405TC	94.5	1.15	230/460	CCF4P100TC61Y	LM16294	C	1270	10116	LT-3D

Prices and data subject to change without notice.

Product numbers in red are STOCK items.

TEFC SEVERE DUTY
 208, 230/460 & 460 VOLTS • 3-PHASE
 FOOT MOUNT & C-FACE
 1 TO 800 HP



Bring On Your Severe Environment; These Motors Can Take It.

Pulp and paper mills, foundries, chemical plants...you name the severe environment application, these motors will deliver reliable service beyond what you thought possible.

Choose From Two Efficiency Levels

Select a P model to meet EPC requirements; or choose a B model for maximum energy savings. Either way, you'll enjoy overall performance well beyond your expectations.

Meets Ford EM1-1996 Spec.

The 460 volt (3 lead) design of these motors meets the demanding T frame motor requirements of Ford's EM1-1996 specification (look for "F" in Notes column).

Vary the Speed, Keep the Motor; Reap the Benefits

Lincoln Severe Duty motors are inverter-rated for use with any brand drive at any carrier frequency. And to make matters as simple and inexpensive as possible, we don't require installation of filters or any other power conditioning devices.



Features:

- Full cast iron construction
- Two levels of premium efficiency*
- B efficiency code designs meet the Premium Motor efficiency levels suggested by CEE.
- Nameplated for 50 Hz & 208 V/60 Hz operation – simplifies your motor selection and reduces your inventory requirements – see "Notes" column.
- Continuous Duty
- Premium Class F Insulation System
- Y-delta start capability 284T frames and larger (reference "Y" in Model Number)
- Warranty - 143T-449T frames: (sine-wave power) 42 months from date of manufacture and 36 months from date of installation which ever period expires first.
 (Inverter Power*) 30 months from date of manufacture and 24 months from date of installation which ever period expires first.
 5000 Series frames: 18 months from date of manufacture and 12 months from date of installation which ever period expires first.
- Shielded ball bearing for direct coupled applications. Contact your local sales office for belted applications.

Applications:

For use in the severe environments found in the process industries such as pulp and paper mills, chemical plants, foundries, textile mills and automotive manufacturing facilities.

* 182T - 444T frames.

FOOT MOUNT

HP	SYN RPM	Frame	FL Nom Eff (%)	SF	Volts	Model Number	Product Number	Notes (see page 306)	Approx Shpg Wght (lbs)	List Price	Mult Sym
1	1800	143T	82.5	1.25	230/460	CCS4P1T61	LM16484	C, H, V	59	\$567	LT-3B
	1800	143T	82.5	1.25	460	CCS4P1T64	LM15801	C, F, M	74	567	LT-3B
	1200	145T	80.0	1.25	230/460	CCS6P1T61	LM16485	C, H, P	83	705	LT-3B
	1200	145T	80.0	1.25	460	CCS6P1T64	LM15802	C, F, T	83	685	LT-3B
1 1/2	3600	143T	82.5	1.25	230/460	CCS2P1.5T61	LM16486	H, P	74	688	LT-3B
	3600	143T	82.5	1.25	460	CCS2P1.5T64	LM15800	F, T	74	688	LT-3B
	1800	145T	84.0	1.25	230/460	CCS4P1.5T61	LM16488	H, P	80	590	LT-3B
	1800	145T	84.0	1.25	460	CCS4P1.5T64	LM15805	F, T	83	590	LT-3B
	1200	182T	85.5	1.25	230/460	CCS6P1.5T61	LM16490	K, P	140	728	LT-3B
	1200	182T	85.5	1.25	460	CCS6P1.5T64	LM15814	F, T	140	727	LT-3B
2	3600	145T	84.0	1.25	230/460	CCS2P2T61	LM16492	H, ▼	85	731	LT-3B
	3600	145T	84.0	1.25	460	CCS2P2T64	LM15803	F	83	730	LT-3B
	1800	145T	84.0	1.25	230/460	CCS4P2T61	LM16493	H, S	83	631	LT-3B
	1800	145T	84.0	1.25	460	CCS4P2T64	LM15804	C, F, T	83	631	LT-3B
	1200	184T	86.5	1.25	230/460	CCS6P2T61	LM16494	K, P	133	795	LT-3B
	1200	184T	86.5	1.25	460	CCS6P2T64	LM15817	F, T	133	795	LT-3B

Prices and data subject to change without notice.

Product numbers in red are STOCK items.



TEFC SEVERE DUTY

208, 230/460 & 460 VOLTS • 3-PHASE
 FOOT MOUNT & C-FACE
 1 TO 800 HP

FOOT MOUNT (cont'd)

HP	SYN RPM	Frame	FL Nom Eff (%)	SF	Volts	Model Number	Product Number	Notes (see page 306)	Approx Shpg Wght (lbs)	List Price	Mult Sym
3	3600	182T	86.5	1.25	230/460	CCS2P3T61	LM16495	H, M	140	\$808	LT-3B
	3600	182T	86.5	1.25	460	CCS2P3T64	LM15812	F, M	140	808	LT-3B
	1800	182T	88.5	1.15	230/460	CCS4B3T61T5	LM16644	NN	104	878	LT-3E
	1800	182T	87.5	1.25	230/460	CCS4P3T61	LM16496	H, P	140	708	LT-3B
	1200	213T	87.5	1.25	230/460	CCS6P3T61	LM16497	K, P	188	1017	LT-3B
	1200	213T	87.5	1.25	460	CCS6P3T64	LM15826	F, T	188	1017	LT-3B
5	3600	184T	87.5	1.25	230/460	CCS2P5T61	LM16498	H, P	133	958	LT-3B
	3600	184T	87.5	1.25	460	CCS2P5T64	LM15815	F, T	133	958	LT-3B
	1800	184T	89.1	1.15	230/460	CCS4B5T61T5	LM16650	NN	109	960	LT-3E
	1800	184T	87.5	1.25	230/460	CCS4P5T61	LM16499	H, S	150	843	LT-3B
	1800	184T	87.5	1.25	460	CCS4P5T64	LM15816	C, F	133	843	LT-3B
	1200	215T	87.5	1.25	230/460	CCS6P5T61	LM16500	K, P	205	1390	LT-3B
1200	215T	87.5	1.25	460	CCS6P5T64	LM15829	F, T	205	1390	LT-3B	
7 1/2	3600	213T	88.5	1.25	230/460	CCS2P7.5T61	LM16501	H, S, W	162	1158	LT-3B
	3600	213T	88.5	1.25	460	CCS2P7.5T64	LM15824	F, M	188	1094	LT-3B
	1800	213T	89.5	1.25	230/460	CCS4P7.5T61	LM16502	H, Q	225	1093	LT-3B
	1800	213T	89.5	1.25	460	CCS4P7.5T64	LM15825	F, U	188	1093	LT-3B
	1200	254T	91.7	1.15	230/460	CCS6B7.5T61YT5	LM16656	NN	249	2169	LT-3E
	1200	254T	89.5	1.25	230/460	CCS6P7.5T61	LM16503	C, K, P	335	1882	LT-3B
1200	254T	89.5	1.25	460	CCS6P7.5T64	LM15838	C, F, T	335	1882	LT-3B	
10	3600	215T	89.5	1.25	230/460	CCS2P10T61	LM16504	H, Q	205	1348	LT-3B
	3600	215T	89.5	1.25	460	CCS2P10T64	LM15827	F, U	205	1348	LT-3B
	1800	215T	91.0	1.15	230/460	CCS4P10T61	LM16505	H, Q	205	1382	LT-3B
	1800	215T	91.0	1.15	460	CCS4P10T64	LM15828	F, U	205	1382	LT-3B
	1200	256T	89.5	1.25	230/460	CCS6P10T61	LM16506	K, Q	378	2320	LT-3B
	1200	256T	89.5	1.25	460	CCS6P10T64	LM15841	F, U	378	2321	LT-3B
15	3600	254T	90.2	1.25	230/460	CCS2P15T61	LM16507	H, Q	335	1783	LT-3B
	3600	254T	90.2	1.25	460	CCS2P15T64	LM15836	F, U	335	1784	LT-3B
	1800	254T	91.0	1.25	230/460	CCS4P15T61	LM16508	H, Q	335	1731	LT-3B
	1800	254T	91.0	1.25	460	CCS4P15T64	LM15837	F, U	335	1731	LT-3B
	1200	284T	90.2	1.25	230/460	CCS6P15T61Y	LM16509	H, M	531	3225	LT-3C
	1200	284T	90.2	1.25	460	CCS6P15T64	LM15775	F, M	531	3223	LT-3C
20	3600	256T	90.2	1.15	230/460	CCS2P20T61	LM16510	H, P	378	2189	LT-3B
	3600	256T	90.2	1.15	460	CCS2P20T64	LM15839	F, T	378	2189	LT-3B
	1800	256T	91.0	1.15	230/460	CCS4P20T61	LM16511	K, Q	378	2232	LT-3B
	1800	256T	91.0	1.15	460	CCS4P20T64	LM18320	F, U	378	2232	LT-3B
	1200	286T	90.2	1.25	230/460	CCS6P20T61Y	LM16512	K, Q	571	3781	LT-3C
	1200	286T	90.2	1.25	460	CCS6P20T64	LM15778	F, U	571	3780	LT-3C
25	3600	284TS	91.0	1.25	230/460	CCS2P25TS61Y	LM16513	H, P	531	2985	LT-3C
	3600	284TS	91.0	1.25	460	CCS2P25TS64	LM15773	F, T	531	2985	LT-3C
	1800	284T	92.4	1.25	230/460	CCS4P25T61Y	LM16514	H, P	531	2628	LT-3C
	1800	284T	92.4	1.25	460	CCS4P25T64	LM15774	F, T	531	2627	LT-3C
	1200	324T	91.7	1.25	230/460	CCS6P25T61Y	LM16082	H, Q	701	4664	LT-3C
	1200	324T	91.7	1.25	460	CCS6P25T64	LM13455	F, U	701	4665	LT-3C

Prices and data subject to change without notice.

Product numbers in red are STOCK items.

TEFC SEVERE DUTY
208, 230/460 & 460 VOLTS • 3-PHASE
FOOT MOUNT & C-FACE
1 TO 800 HP



FOOT MOUNT (cont'd)

HP	SYN RPM	Frame	FL Nom Eff (%)	SF	Volts	Model Number	Product Number	Notes (see page 306)	Approx Shpg Wght (lbs)	List Price	Mult Sym
30	3600	286TS	91.0	1.25	230/460	CCS2P30TS61Y	LM16516	H, P	571	3541	LT-3C
	3600	286TS	91.0	1.25	460	CCS2P30TS64	LM15776	F, T	571	3541	LT-3C
	1800	286T	92.5	1.25	230/460	CCS4P30T61Y	LM16517	C, H, Q	571	3104	LT-3C
	1800	286T	92.5	1.25	460	CCS4P30T64	LM15777	C, F, U	571	3105	LT-3C
	1200	326T	91.7	1.25	230/460	CCS6P30T61Y	LM16088	K, Q	835	5387	LT-3C
	1200	326T	91.7	1.25	460	CCS6P30T64	LM13457	F, U	835	5388	LT-3C
40	3600	324TS	91.7	1.25	230/460	CCS2P40TS61Y	LM16084	H, Q	701	4477	LT-3C
	3600	324TS	91.7	1.25	460	CCS2P40TS64	LM17562	F, U	701	4477	LT-3C
	1800	324T	93.0	1.25	230/460	CCS4P40T61Y	LM27814	H, P	701	4100	LT-3C
	1800	324T	93.0	1.25	460	CCS4P40T64	LM13458	F, N	701	4100	LT-3C
	1200	364T	93.0	1.25	230/460	CCS6P40T61Y	LM16523	H, P	1066	6872	LT-3C
	1200	364T	93.0	1.25	460	CCS6P40T64	LM13459	F, T	1053	6872	LT-3C
50	3600	326TS	93.0	1.25	230/460	CCS2P50TS61Y	LM16090		835	5752	LT-3C
	3600	326TS	93.0	1.25	460	CCS2P50TS64	LM17565	F	835	5752	LT-3C
	1800	326T	93.6	1.25	230/460	CCS4P50T61Y	LM27816	K, S, ▼	835	4774	LT-3C
	1800	326T	93.6	1.25	460	CCS4P50T64	LM13460	F	835	4774	LT-3C
	1200	365T	93.0	1.25	230/460	CCS6P50T61Y	LM15484	H, P, S	1132	8124	LT-3C
	1200	365T	93.0	1.25	460	CCS6P50T64	LM13461	F	1132	8124	LT-3C
60	3600	364TS	94.1	1.25	230/460	CCS2P60TS61Y	LM15478	H, P, S	1053	7333	LT-3C
	3600	364TS	93.0	1.25	460	CCS2P60TS64	LM17648	F, T	1053	7333	LT-3C
	1800	364T	94.1	1.25	230/460	CCS4P60T61Y	LM15479	H, S, V	1053	7718	LT-3C
	1800	364T	93.6	1.25	460	CCS4P60T64	LM13462	F	1053	7718	LT-3C
	1200	404T	93.6	1.15	230/460	CCS6P60T61Y	LM15435		1326	9308	LT-3D
	1200	404T	94.1	1.15	460	CCS6P60T64	LM13463	C, F, U	1326	9309	LT-3D
75	3600	365TS	93.0	1.25	230/460	CCS2P75TS61Y	LM15482	H, Q, S	1132	9295	LT-3C
	3600	365TS	93.6	1.25	460	CCS2P75TS64	LM17654	F, U	1132	9295	LT-3C
	1800	365T	94.1	1.15	230/460	CCS4P75T61Y	LM15483	K, S, ▼	1132	8757	LT-3C
	1800	365T	94.1	1.15	460	CCS4P75T64	LM13464	F, T	1132	8756	LT-3C
	1200	405T	94.5	1.15	230/460	CCS6P75T61Y	LM15438	K, S, ▼	1376	11355	LT-3D
	1200	405T	93.6	1.15	460	CCS6P75T64	LM13465	F	1376	12095	LT-3D
100	3600	405TS	94.5	1.15	230/460	CCS2P100TS61Y	LM15436	W	1376	12339	LT-3D
	3600	405TS	94.1	1.15	460	CCS2P100TS64	LM17627	F	1376	12339	LT-3D
	1800	405T	94.5	1.15	230/460	CCS4P100T61Y	LM15437	J, S, W	1376	10592	LT-3D
	1800	405T	94.5	1.15	460	CCS4P100T64	LM13466	C, F, M	1376	10592	LT-3D
	1200	444T	94.1	1.15	460	CCS6P100T64	LM13467	F, ▼	1983	14561	LT-3D
	1200	444T	94.1	1.15	460	CCS6P100T64Y	LM15714	S, ▼	1983	14562	LT-3D
125	3600	444TS	94.5	1.15	460	CCS2P125TS64Y	LM15713	▼	1983	15214	LT-3D
	3600	444TS	94.5	1.15	460	CCS2P125TS64	LM17586	▼	1983	15214	LT-3D
	1800	444T	94.5	1.15	460	CCS4P125T64Y	LM14637	S, ▼	1983	13487	LT-3D
	1800	444T	94.5	1.15	460	CCS4P125T64	LM17585	F, ▼	1983	13487	LT-3D
	1200	445T	94.1	1.15	460	CCS6P125T64	LM17587	F, ▼	2110	17530	LT-3D
	1200	445T	94.1	1.15	460	CCS6P125T64Y	LM15716	▼	2110	17530	LT-3D

Prices and data subject to change without notice.

*Contact Lincoln for price and availability.

Product numbers in red are STOCK items.



TEFC SEVERE DUTY

208, 230/460 & 460 VOLTS • 3-PHASE
FOOT MOUNT & C-FACE
1 TO 700 HP

FOOT MOUNT (cont'd)

HP	SYN RPM	Frame	FL Nom Eff (%)	SF	Volts	Model Number	Product Number	Notes (see page 306)	Approx Shpg Wght (lbs)	List Price	Mult Sym
150	3600	445TS	94.5	1.15	460	CCS2P150TS64Y	LM15715	S, ▼	2110	\$18477	LT-3D
	3600	445TS	94.5	1.15	460	CCS2P150TS64	LM17591	F, ▼	2110	18477	LT-3D
	1800	445T	95.0	1.15	460	CCS4P150T64Y	LM14640	P, S	2110	17510	LT-3D
	1800	445T	95.0	1.15	460	CCS4P150T64	LM17589	F, T	2110	17510	LT-3D
	1200	445T	95.0	1.15	460	CCS6P150T64Y	LM14641	▼	2110	19947	LT-3D
	1200	445T	95.0	1.15	460	CCS6P150T64	LM17588	F, ▼	2110	19947	LT-3D
200	3600	445TS	95.0	1.15	460	CCS2P200TS64Y	LM14638	▼	2110	23390	LT-3D
	3600	445TS	95.0	1.15	460	CCS2P200TS64	LM17592		2110	23390	LT-3D
	1800	445T	95.0	1.15	460	CCS4P200T64Y	LM14639	U	2341	19921	LT-3D
	1800	445T	95.0	1.15	460	CCS4P200T64	LM17590	F	2110	19921	LT-3D
	1200	449T	95.0	1.15	460	CCS6P200T64Y	LM15718		2572	23825	LT-3D
	1200	449T	95.0	1.15	460	CCS6P200T64	LM23529	F	2572	23824	LT-3D
250	3600	449TS	95.4	1.15	460	CCS2P250TS64Y	LM15717		2572	29699	LT-3D
	3600	449TS	95.4	1.15	460	CCS2P250TS64	LM22908		2572	29699	LT-3D
	1800	449T	95.4	1.15	460	CCS4P250T64Y	LM14643		2572	24411	LT-3D
	1800	449T	95.4	1.15	460	CCS4P250T64	LM17594	F	2572	24410	LT-3D
	1200	449T	95.4	1.15	460	CCS6P250T64Y	LM15723		2883	29700	LT-3D
	1200	449T	95.4	1.15	460	CCS6P250T64	LM17597		2883	29700	LT-3D
300	3600	449TS	95.4	1.15	460	CCS2P300TS64Y	LM15721		2883	36302	LT-3D
	3600	449TS	95.4	1.15	460	CCS2P300TS64	LM17601		2883	36302	LT-3D
	1800	449T	95.4	1.15	460	CCS4P300T64Y	LM14642		2572	26160	LT-3D
	1800	449T	95.4	1.15	460	CCS4P300T64	LM22909		2572	26160	LT-3D
	1200	449T	95.4	1.00	460	CCS6P300T64Y	LM15722		2883	38007	LT-3D
	1200	449T	95.4	1.00	460	CCS6P300T64	LM17598		2883	38007	LT-3D
350	3600	449TS	95.4	1.15	460	CCS2P350TS64Y	LM15720		2883	40261	LT-3D
	3600	449TS	95.4	1.15	460	CCS2P350TS64	LM17602		2883	40261	LT-3D
	1800	449T	95.4	1.15	460	CCS4P350T64Y	LM14645		2883	28957	LT-3D
	1800	449T	95.4	1.15	460	CCS4P350T64	LM17599		2883	28957	LT-3D
	1200	5011LS	95.8	1.15	460	CCS6P350LS64Y	LM22210		5500	54901	LL-1
	400	1800	449T	95.8	1.00	460	CCS4P400T64Y	LM14644		2883	36926
1800		449T	95.8	1.00	460	CCS4P400T64	LM17600		2883	36926	LT-3D
1200		5011	95.8	1.15	460	CCS6P400L64Y	LM22211		5500	79640	LL-1
450	1800	5011LS	95.8	1.15	460	CCS4P450LS64Y	LM22212		5500	75727	LL-1
	1200	5011LS	96.2	1.15	460	CCS6P450LS64Y	LM27292		5500	93293	LL-1
500	1800	5011LS	96.2	1.15	460	CCS4P500LS64Y	LM22213		5500	87886	LL-1
	1200	5013LS	96.2	1.15	460	CCS6P500LS64Y	LM27293		7200	108099	LL-1
600	1800	5011LS	96.5	1.15	460	CCS4P600LS64Y	LM22489	A	5500	120731	LL-1
700	1800	5013LS	96.5	1.15	460	CCS4P700LS64Y	LM27295	A	7200	129122	LL-1

C-FACE WITH FEET

HP	SYN RPM	Frame	FL Nom Eff (%)	SF	Volts	Model Number	Product Number	Notes (see page 306)	Approx Shpg Wght (lbs)	List Price	Mult Sym
1	1800	143TC	82.5	1.25	230/460	CCS4P1TC61	LM16878	C, H, P, S	64	\$607	LT-3B
	1800	143TC	82.5	1.25	460	CCS4P1TC64	LM17989	F	84	607	LT-3B
	1200	145TC	80.0	1.25	230/460	CCS6P1TC61	LM16879	C, K, P	89	723	LT-3B
	1200	145TC	80.0	1.25	460	CCS6P1TC64	LM17990	C, F, T	89	723	LT-3B

Prices and data subject to change without notice.
*Contact Lincoln for price and availability.

Product numbers in red are STOCK items.

TEFC SEVERE DUTY
208, 230/460 & 460 VOLTS • 3-PHASE
FOOT MOUNT & C-FACE
1 TO 700 HP



C-FACE WITH FEET (cont'd)

HP	SYN RPM	Frame	FL Nom Eff (%)	SF	Volts	Model Number	Product Number	Notes (see page 306)	Approx Shpg Wght (lbs)	List Price	Mult Sym
1 1/2	3600	143TC	82.5	1.25	230/460	CCS2P1.5TC61	LM16880	H, P	80	\$726	LT-3B
	3600	143TC	82.5	1.25	460	CCS2P1.5TC64	LM17991	F, T	80	726	LT-3B
	1800	145TC	84.0	1.25	230/460	CCS4P1.5TC61	LM16881	H, P	75	629	LT-3B
	1800	145TC	84.0	1.25	460	CCS4P1.5TC64	LM17992	F, T	89	629	LT-3B
	1200	182TC	85.5	1.25	230/460	CCS6P1.5TC61	LM16882	K, P	152	784	LT-3B
	1200	182TC	85.5	1.25	460	CCS6P1.5TC64	LM17993	F, T	152	785	LT-3B
2	3600	145TC	84.0	1.25	230/460	CCS2P2TC61	LM16883	H, ▼	89	769	LT-3B
	3600	145TC	84.0	1.25	460	CCS2P2TC64	LM17994	F	89	769	LT-3B
	1800	145TC	84.0	1.25	230/460	CCS4P2TC61	LM16884	H, S, V	74	669	LT-3B
	1800	145TC	84.0	1.25	460	CCS4P2TC64	LM17995	C, F, T	89	669	LT-3B
	1200	184TC	86.5	1.25	230/460	CCS6P2TC61	LM16885	K, P	145	852	LT-3B
	1200	184TC	86.5	1.25	460	CCS6P2TC64	LM17996	F, T	145	852	LT-3B
3	3600	182TC	86.5	1.25	230/460	CCS2P3TC61	LM16886	H, M	152	865	LT-3B
	3600	182TC	86.5	1.25	460	CCS2P3TC64	LM17997	F, M	152	865	LT-3B
	1800	182TC	87.5	1.25	230/460	CCS4P3TC61	LM16887	H, P	152	765	LT-3B
	1800	182TC	87.5	1.25	460	CCS4P3TC64	LM17998	F, T	152	765	LT-3B
	1200	213TC	87.5	1.25	230/460	CCS6P3TC61	LM16888	K, P	199	1083	LT-3B
	1200	213TC	87.5	1.25	460	CCS6P3TC64	LM17999	F, T	199	1083	LT-3B
5	3600	184TC	87.5	1.25	230/460	CCS2P5TC61	LM16889	H, P	145	1017	LT-3B
	3600	184TC	87.5	1.25	460	CCS2P5TC64	LM18000	F, T	145	1017	LT-3B
	1800	184TC	87.5	1.25	230/460	CCS4P5TC61	LM16890	C, H, ▼	185	993	LT-3B
	1800	184TC	87.5	1.25	460	CCS4P5TC64	LM18001	C, F	145	901	LT-3B
	1200	215TC	87.5	1.25	230/460	CCS6P5TC61	LM16891	K, P	216	1456	LT-3B
	1200	215TC	87.5	1.25	460	CCS6P5TC64	LM18002	F, T	216	1456	LT-3B
7 1/2	3600	213TC	88.5	1.25	230/460	CCS2P7.5TC61	LM16892	H, M	199	1151	LT-3B
	3600	213TC	88.5	1.25	460	CCS2P7.5TC64	LM18003	F, M	199	1150	LT-3B
	1800	213TC	89.5	1.25	230/460	CCS4P7.5TC61	LM16893	H, Q	199	1229	LT-3B
	1800	213TC	89.5	1.25	460	CCS4P7.5TC64	LM18004	F, U	199	1405	LT-3B
	1200	254TC	89.5	1.25	230/460	CCS6P7.5TC61	LM16894	C, K, P	347	2049	LT-3B
	1200	254TC	89.5	1.25	460	CCS6P7.5TC64	LM18005	C, F, T	347	1971	LT-3B
10	3600	215TC	89.5	1.25	230/460	CCS2P10TC61	LM16895	H, Q	216	1414	LT-3B
	3600	215TC	89.5	1.25	460	CCS2P10TC64	LM18006	F, U	216	1415	LT-3B
	1800	215TC	91.0	1.15	230/460	CCS4P10TC61	LM16896	J, Q	216	1451	LT-3B
	1800	215TC	91.0	1.15	460	CCS4P10TC64	LM18007	F, U	216	1484	LT-3B
	1200	256TC	89.5	1.25	230/460	CCS6P10TC61	LM16897	K, Q	390	2409	LT-3B
	1200	256TC	89.5	1.25	460	CCS6P10TC64	LM18008	F, U	390	2409	LT-3B
15	3600	254TC	90.2	1.25	230/460	CCS2P15TC61	LM16898	H, Q	347	1872	LT-3B
	3600	254TC	90.2	1.25	460	CCS2P15TC64	LM18009	F, U	347	1872	LT-3B
	1800	254TC	91.0	1.25	230/460	CCS4P15TC61	LM16899	H, S	402	1819	LT-3B
	1800	254TC	91.0	1.25	460	CCS4P15TC64	LM18010	F, U	347	1819	LT-3B
	1200	284TC	90.2	1.25	230/460	CCS6P15TC61Y	LM16900	H, M	537	3377	LT-3C
	1200	284TC	90.2	1.25	460	CCS6P15TC64	LM18011	F, M	537	3377	LT-3C
20	3600	256TC	90.2	1.15	230/460	CCS2P20TC61	LM16927	H, P	390	2276	LT-3B
	3600	256TC	90.2	1.15	460	CCS2P20TC64	LM18012	F, T	390	2277	LT-3B
	1800	256TC	91.0	1.15	230/460	CCS4P20TC61	LM16928	K, Q	390	2319	LT-3B
	1800	256TC	91.0	1.15	460	CCS4P20TC64	LM18013	F, U	390	2319	LT-3B
	1200	286TC	90.2	1.25	230/460	CCS6P20TC61Y	LM16929	K, Q	577	3933	LT-3C
	1200	286TC	90.2	1.25	460	CCS6P20TC64	LM18014	F, U	577	3933	LT-3C
25	3600	284TSC	91.0	1.25	230/460	CCS2P25TSC61Y	LM16930	H, P	537	3139	LT-3C
	3600	284TSC	91.0	1.25	460	CCS2P25TSC64	LM19327	F, T	537	3139	LT-3C
	1800	284TC	92.4	1.25	230/460	CCS4P25TC61Y	LM16931	H, P	537	2781	LT-3C
	1800	284TC	92.4	1.25	460	CCS4P25TC64	LM18016	F, T	537	2781	LT-3C
	1200	324TC	91.7	1.25	230/460	CCS6P25TC61Y	LM16932	H, Q	708	4921	LT-3C
	1200	324TC	91.7	1.25	460	CCS6P25TC64	LM18017	F, U	708	4921	LT-3C

Prices and data subject to change without notice.

Product numbers in red are STOCK items.



TEFC SEVERE DUTY

208, 230/460 & 460 VOLTS • 3-PHASE
 FOOT MOUNT & C-FACE
 1 TO 700 HP

C-FACE WITH FEET (cont'd)

HP	SYN RPM	Frame	FL Nom Eff (%)	SF	Volts	Model Number	Product Number	Notes (see page 306)	Approx Shpg Wght (lbs)	List Price	Mult Sym
30	3600	286TSC	91.0	1.25	230/460	CCS2P30TSC61Y	LM16934	H, P	577	\$3694	LT-3C
	3600	286TSC	91.0	1.25	460	CCS2P30TSC64	LM18018	F, T	577	3695	LT-3C
	1800	286TC	92.5	1.25	230/460	CCS4P30TC61Y	LM16935	C, H, S	582	3257	LT-3C
	1800	286TC	92.5	1.25	460	CCS4P30TC64	LM18019	C, F, U	577	3257	LT-3C
	1200	326TC	91.7	1.25	230/460	CCS6P30TC61Y	LM16936	K, Q	842	5643	LT-3C
	1200	326TC	91.7	1.25	460	CCS6P30TC64	LM18020	F, U	842	5643	LT-3C
40	3600	324TSC	91.7	1.25	230/460	CCS2P40TSC61Y	LM16937	H, Q	708	4732	LT-3C
	3600	324TSC	91.7	1.25	460	CCS2P40TSC64	LM18021	F, U	708	4732	LT-3C
	1800	324TC	93.0	1.25	230/460	CCS4P40TC61Y	LM27815	H, P	708	4354	LT-3C
	1800	324TC	93.0	1.25	460	CCS4P40TC64	LM18022	F, N	708	4354	LT-3C
	1200	364TC	93.0	1.25	230/460	CCS6P40TC61Y	LM16939	H, P	1062	7284	LT-3C
	1200	364TC	93.0	1.25	460	CCS6P40TC64	LM18023	F, T	1062	7282	LT-3C
50	3600	326TSC	93.0	1.25	230/460	CCS2P50TSC61Y	LM16940		842	6006	LT-3C
	3600	326TSC	93.0	1.25	460	CCS2P50TSC64	LM18024	F	842	6006	LT-3C
	1800	326TC	93.6	1.25	230/460	CCS4P50TC61Y	LM16942	K, ▼	842	5031	LT-3C
	1800	326TC	93.6	1.25	460	CCS4P50TC64	LM18025	F	842	5031	LT-3C
	1200	365TC	93.0	1.25	230/460	CCS6P50TC61Y	LM16943		1145	8535	LT-3C
	1200	365TC	93.0	1.25	460	CCS6P50TC64	LM18026	F	1141	8535	LT-3C
60	3600	364TSC	93.0	1.25	230/460	CCS2P60TSC61Y	LM16944	H, P	1062	7742	LT-3C
	3600	364TSC	93.0	1.25	460	CCS2P60TSC64	LM18027	F, T	1062	7742	LT-3C
	1800	364TC	93.6	1.25	230/460	CCS4P60TC61Y	LM16945	H, S, V	1066	7574	LT-3C
	1800	364TC	93.6	1.25	460	CCS4P60TC64	LM18028	F	1062	7574	LT-3C
	1200	404TC	94.1	1.15	230/460	CCS6P60TC61Y	LM16946	C, K, Q	1339	9794	LT-3D
	1200	404TC	94.1	1.15	460	CCS6P60TC64	LM18029	C, F, U	1339	9794	LT-3D
75	3600	365TSC	93.6	1.25	230/460	CCS2P75TSC61Y	LM16947	H, Q	1141	9704	LT-3C
	3600	365TSC	93.6	1.25	460	CCS2P75TSC64	LM18030	F, U	1141	9704	LT-3C
	1800	365TC	94.1	1.15	230/460	CCS4P75TC61Y	LM16948	K, ▼	1141	9166	LT-3C
	1800	365TC	94.1	1.15	460	CCS4P75TC64	LM18031	F, T	1141	9166	LT-3C
	1200	405TC	94.5	1.15	230/460	CCS6P75TC61Y	LM16949	K, ▼	1389	11841	LT-3D
	1200	405TC	94.5	1.15	460	CCS6P75TC64	LM18032	F	1389	11841	LT-3D
100	3600	405TSC	94.1	1.15	230/460	CCS2P100TSC61Y	LM16950	▼	1389	12826	LT-3D
	3600	405TSC	94.1	1.15	460	CCS2P100TSC64	LM18033	F	1389	12826	LT-3D
	1800	405TC	94.5	1.15	230/460	CCS4P100TC61Y	LM16952	C, J, M	1389	11078	LT-3D
	1800	405TC	94.5	1.15	460	CCS4P100TC64	LM18034	C, F, M	1389	11078	LT-3D
	1200	444TC	94.1	1.15	460	CCS6P100TC64Y	LM16954	▼	2006	15948	LT-3D
	1200	444TC	94.1	1.15	460	CCS6P100TC64	LM18044	F, ▼	2006	15164	LT-3D
125	3600	444TSC	94.5	1.15	460	CCS2P125TSC64Y	LM16955	▼	2006	15817	LT-3D
	3600	444TSC	94.5	1.15	460	CCS2P125TSC64	LM18045	▼	2006	15817	LT-3D
	1800	444TC	94.5	1.15	460	CCS4P125TC64Y	LM16956	▼	2006	14091	LT-3D
	1800	444TC	94.5	1.15	460	CCS4P125TC64	LM18046	F, ▼	2006	14091	LT-3D
	1200	445TC	94.1	1.15	460	CCS6P125TC64Y	LM16957	▼	2133	18133	LT-3D
	1200	445TC	94.1	1.15	460	CCS6P125TC64	LM18047	F, ▼	2133	18133	LT-3D
150	3600	445TSC	94.5	1.15	460	CCS2P150TSC64Y	LM16958	▼	2133	19080	LT-3D
	3600	445TSC	94.5	1.15	460	CCS2P150TSC64	LM18048	F, ▼	2133	19080	LT-3D
	1800	445TC	95.0	1.15	460	CCS4P150TC64Y	LM16959	P	2133	17006	LT-3D
	1800	445TC	95.0	1.15	460	CCS4P150TC64	LM18049	F, T	2133	17006	LT-3D
	1200	445TC	95.0	1.15	460	CCS6P150TC64Y	LM16960	▼	2133	20551	LT-3D
	1200	445TC	95.0	1.15	460	CCS6P150TC64	LM18050	F, ▼	2133	20550	LT-3D
200	3600	445TSC	95.0	1.15	460	CCS2P200TSC64Y	LM16961	▼	2133	23993	LT-3D
	3600	445TSC	95.0	1.15	460	CCS2P200TSC64	LM18051	▼	2133	23993	LT-3D
	1800	445TC	95.0	1.15	460	CCS4P200TC64Y	LM16962		2133	20524	LT-3D
	1800	445TC	95.0	1.15	460	CCS4P200TC64	LM18052	F	2133	20524	LT-3D
	1200	449TC	95.0	1.15	460	CCS6P200TC64Y	LM16963		2595	24470	LT-3D
	1200	449TC	95.0	1.15	460	CCS6P200TC64	LM18053	F	2595	24470	LT-3D

Prices and data subject to change without notice.

Product numbers in red are STOCK items.

TEFC SEVERE DUTY
208, 230/460 & 460 VOLTS • 3-PHASE
FOOT MOUNT & C-FACE
1 TO 700 HP



C-FACE WITH FEET (cont'd)

HP	SYN RPM	Frame	FL Nom Eff (%)	SF	Volts	Model Number	Product Number	Notes (see page 306)	Approx Shpg Wght (lbs)	List Price	Mult Sym
250	3600	449TSC	95.4	1.15	460	CCS2P250TSC64Y	LM16964		2595	\$30346	LT-3D
	3600	449TSC	95.4	1.15	460	CCS2P250TSC64	LM18054		2595	30346	LT-3D
	1800	447TC	95.0	1.15	460	CCS4P250TC64Y	LM16965		2581	25056	LT-3D
	1800	447TC	95.4	1.15	460	CCS4P250TC64	LM18055		2595	25056	LT-3D
	1200	449TC	95.4	1.15	460	CCS6P250TC64Y	LM16966		2906	30346	LT-3D
	1200	449TC	95.4	1.15	460	CCS6P250TC64	LM18056		2906	30346	LT-3D
300	3600	449TSC	95.4	1.15	460	CCS2P300TSC64Y	LM16967		2906	36948	LT-3D
	3600	449TSC	95.4	1.15	460	CCS2P300TSC64	LM18057		2906	36948	LT-3D
	1800	449TC	95.4	1.15	460	CCS4P300TC64Y	LM16968		2595	26806	LT-3D
	1800	449TC	95.4	1.15	460	CCS4P300TC64	LM18058		2595	26806	LT-3D
	1200	449TC	95.4	1.00	460	CCS6P300TC64Y	LM16969		2906	38654	LT-3D
	1200	449TC	95.4	1.00	460	CCS6P300TC64	LM18059		2906	38654	LT-3D
350	3600	449TSC	95.4	1.15	460	CCS2P350TSC64Y	LM16970		2906	40908	LT-3D
	3600	449TSC	95.4	1.15	460	CCS2P350TSC64	LM18060		2906	40908	LT-3D
	1800	449TC	95.4	1.15	460	CCS4P350TC64Y	LM16971		2906	29604	LT-3D
	1800	449TC	95.4	1.15	460	CCS4P350TC64	LM18061		2906	29604	LT-3D
400	1800	449TC	95.8	1.00	460	CCS4P400TC64Y	LM16973		2906	37573	LT-3D
	1800	449TC	95.8	1.00	460	CCS4P400TC64	LM18064		2906	37573	LT-3D

C-FACE FOOTLESS

HP	SYN RPM	Frame	FL Nom Eff (%)	SF	Volts	Model Number	Product Number	Notes (see page 306)	Approx Shpg Wght (lbs)	List Price	Mult Sym
1	1800	143TC	82.5	1.25	230/460	CCS4P1TCN61	LM19252	C, H, V	80	\$607	LT-3B
	1800	143TC	82.5	1.25	460	CCS4P1TCN64	LM19270	C, F, M	80	606	LT-3B
1 1/2	3600	143TC	82.5	1.25	230/460	CCS2P1.5TCN61	LM19253	H, P	80	726	LT-3B
	3600	143TC	82.5	1.25	460	CCS2P1.5TCN64	LM19269	F, T	80	726	LT-3B
	1800	145TC	84.0	1.25	230/460	CCS4P1.5TCN61	LM19254	H, P	89	629	LT-3B
	1800	145TC	84.0	1.25	460	CCS4P1.5TCN64	LM19271	F, T	89	629	LT-3B
2	3600	145TC	84.0	1.25	230/460	CCS2P2TCN61	LM25541	H, ▼	89	769	LT-3B
	3600	145TC	84.0	1.25	460	CCS2P2TCN64	LM19272	F	89	769	LT-3B
	1800	145TC	84.0	1.25	230/460	CCS4P2TCN61	LM19256	C, H, P	89	669	LT-3B
	1800	145TC	84.0	1.25	460	CCS4P2TCN64	LM19273	C, F, T	89	669	LT-3B
3	3600	182TC	86.5	1.25	230/460	CCS2P3TCN61	LM19257	H, M	152	865	LT-3B
	3600	182TC	86.5	1.25	460	CCS2P3TCN64	LM19274	F, M	152	865	LT-3B
	1800	182TC	87.5	1.25	230/460	CCS4P3TCN61	LM19258	H, P	152	765	LT-3B
	1800	182TC	87.5	1.25	460	CCS4P3TCN64	LM19275	F, T	152	765	LT-3B
5	3600	184TC	87.5	1.25	230/460	CCS2P5TCN61	LM19259	H, P	145	1017	LT-3B
	3600	184TC	87.5	1.25	460	CCS2P5TCN64	LM19276	F, T	145	1017	LT-3B
	1800	184TC	87.5	1.25	230/460	CCS4P5TCN61	LM19260	C, H, ▼	145	901	LT-3B
	1800	184TC	87.5	1.25	460	CCS4P5TCN64	LM19277	C, F	145	900	LT-3B
7 1/2	3600	213TC	88.5	1.25	230/460	CCS2P7.5TCN61	LM19261	H, M	199	1151	LT-3B
	3600	213TC	88.5	1.25	460	CCS2P7.5TCN64	LM19278	F, M	199	1150	LT-3B
	1800	213TC	89.5	1.25	230/460	CCS4P7.5TCN61	LM19262	H, Q	199	1203	LT-3B
	1800	213TC	89.5	1.25	460	CCS4P7.5TCN64	LM19279	F, U	199	1160	LT-3B
10	3600	215TC	89.5	1.25	230/460	CCS2P10TCN61	LM19263	H, Q	216	1415	LT-3B
	3600	215TC	89.5	1.25	460	CCS2P10TCN64	LM19280	F, U	216	1415	LT-3B
	1800	215TC	91.0	1.15	230/460	CCS4P10TCN61	LM19264	J, Q	216	1451	LT-3B
	1800	215TC	91.0	1.15	460	CCS4P10TCN64	LM19281	F, U	216	1450	LT-3B
15	3600	254TC	90.2	1.25	230/460	CCS2P15TCN61	LM19265	H, Q	347	1872	LT-3B
	3600	254TC	90.2	1.25	460	CCS2P15TCN64	LM19282	F, U	347	1872	LT-3B
	1800	254TC	91.0	1.25	230/460	CCS4P15TCN61	LM19266	H, Q	347	1819	LT-3B
	1800	254TC	91.0	1.25	460	CCS4P15TCN64	LM19283	F, U	347	1819	LT-3B
20	3600	256TC	90.2	1.15	230/460	CCS2P20TCN61	LM19267	H, P	390	2278	LT-3B
	3600	256TC	90.2	1.15	460	CCS2P20TCN64	LM19284	F, T	390	2277	LT-3B
	1800	256TC	91.0	1.15	230/460	CCS4P20TCN61	LM19268	K, Q	390	2319	LT-3B
	1800	256TC	91.0	1.15	460	CCS4P20TCN64	LM19285	F, U	390	2319	LT-3B

Prices and data subject to change without notice.

Product numbers in red are STOCK items.

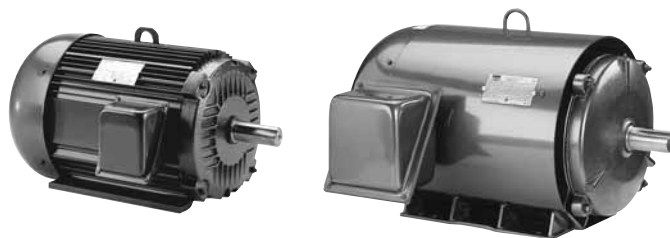


TEFC 15 TO 60 HZ CONSTANT TORQUE INVERTER DUTY

230/460 & 460 VOLTS • 3-PHASE
FOOT MOUNT & C-FACE
1/3 TO 400 HP

Features:

- 4:1 Constant torque speed range at continuous duty of 15-60 Hz.
- Variable torque speed range with open loop drive of 0-60 Hz.
- Constant horsepower speed range of 2x base speed (56-256T frames) or 1.5x base speed* (284T-449T frames).
- Wider speed ranges possible on intermittent duty
- Ultimate Spike Defense™ Insulation System
- 1.00 service factor on PWM waveform, 1.15 service factor or better on sine-wave power.
- Precision dynamic balanced rotor assembly
- Thermal overload protection (Class F thermostats)
- Warranty: 42 months from date of manufacture and 36 months from date of installation which ever period expires first.
- Made in the U.S.A.



Applications:

For use in constant torque (conveyors, machine tools) or variable torque (pumps, fans) variable speed applications within the stated speed range of the motor.

In a very small percentage of installations, bearing currents can develop in motors operated by PWM-based adjustable-speed drives. Contact your local sales office to review ways of eliminating bearing currents.

* Actual speed not to exceed "RPM MAX" listed for specific motor.

FOOT MOUNT

HP	SYN RPM @ 60 Hz	RPM Max	Frame	FL Nom Eff (%)	Volts	Model Number	Product Number	Notes (see page 306)	Approx Shpg Wght (lbs)	List Price	Mult Sym
1/3	1800	4000	56	72.0	230/460	SRF4S0.33T61Q40	LM22644		28	\$423	LS-1
1/2	3600	4000	56	70.0	230/460	SRF2S0.5T61Q40	LM22646		28	408	LS-1
	1800	4000	56	74.0	230/460	SRF4S0.5T61Q40	LM22648		28	487	LS-1
	1200	4000	56	70.0	230/460	SRF6S0.5T61Q40	LM22650		28	581	LS-1
3/4	3600	4000	56	74.0	230/460	SRF2S0.75T61Q40	LM22652		28	434	LS-1
	1800	4000	56	77.0	230/460	SRF4S0.75T61Q40	LM22654		28	495	LS-1
	1200	4000	56	72.0	230/460	SRF6S0.75T61Q40	LM22656		36	588	LS-1
1	3600	4000	56	75.5	230/460	SRF2S1T61Q40	LM22658		28	495	LS-1
	1800	4000	56	78.5	230/460	SRF4S1T61Q40	LM22660		28	511	LS-1
	1800	4000	143T	82.5	230/460	SSF4P1T61Q40	LM26097		46	573	LS-1
	1200	4000	145T	80.0	230/460	SSF6P1T61Q40	LM26383		51	690	LS-1
1 1/2	3600	4000	56	78.5	230/460	SRF2S1.5T61Q40	LM22662		28	530	LS-1
	3600	4000	143T	82.5	230/460	SSF2P1.5T61Q40	TBD		46	635	LS-1
	1800	4000	56H	80.0	230/460	SRF4S1.5T61Q40	LM22664		28	563	LS-1
	1800	4000	145T	84.0	230/460	SSF4P1.5T61Q40	LM26098		51	580	LS-1
	1200	4000	182T	85.5	230/460	AAF6P1.5T61Q40	LM21188		83	777	LS-1
2	3600	4000	56H	78.5	230/460	SRF2S2T61Q40	LM22666		36	571	LS-1
	3600	4000	145T	84.0	230/460	SSF2P2T61Q40	TBD		51	673	LS-1
	1800	4000	145T	84.0	230/460	SSF4P2T61Q40	LM25991		51	604	LS-1
	1200	4000	184T	86.5	230/460	AAF6P2T61Q40	LM21191		92	833	LS-1
3	3600	4000	182T	85.5	230/460	AAF2P3T61Q40	LM21189		83	795	LS-1
	1800	4000	182T	87.5	230/460	AAF4P3T61Q40	LM21190		83	732	LS-1
	1200	4000	213T	87.5	230/460	AF6P3T61Q40	LM21194		127	1054	LS-1
5	3600	4000	184T	87.5	230/460	AAF2P5T61Q40	LM21192		92	924	LS-1
	1800	4000	184T	87.5	230/460	AAF4P5T61Q40	LM21193		92	816	LS-1
	1200	4000	215T	87.5	230/460	AAF6P5T61Q40	LM21197		138	1405	LS-1

Prices and data subject to change without notice.

Product numbers in red are STOCK items.

TEFC 15 TO 60 HZ CONSTANT TORQUE INVERTER DUTY



**230/460 & 460 VOLTS • 3-PHASE
FOOT MOUNT & C-FACE
1/3 TO 400 HP**

FOOT MOUNT (cont'd)

HP	SYN RPM @ 60 Hz	RPM Max	Frame	FL Nom Eff (%)	Volts	Model Number	Product Number	Notes (see page 306)	Approx Shpg Wght (lbs)	List Price	Mult Sym
7 1/2	3600	4600	G213T	88.5	230/460	AF2P7.5T61Q40	LM21195		127	\$1249	LS-1
	1800	4600	213T	89.5	230/460	AF4P7.5T61Q40	LM21196		127	1077	LS-1
	1200	4400	254T	89.5	230/460	AAF6P7.5T61Q40	LM21200		209	1789	LS-1
10	3600	4600	G215T	89.5	230/460	AF2P10T61Q40	LM21198		138	1367	LS-1
	1800	4600	215T	89.5	230/460	AF4P10T61Q40	LM21199		138	1203	LS-1
	1200	4400	256T	89.5	230/460	AAF6P10T61Q40	LM21203		236	2293	LS-1
15	3600	4400	G254T	90.2	230/460	AAF2P15T61Q40	LM21201		209	1825	LS-1
	1800	4400	254T	91.0	230/460	AF4P15T61Q40	LM21202		209	1729	LS-1
	1200	4200	284T	90.2	230/460	AF6P15T61YQ40	LM21206		363	3023	LS-1
20	3600	4400	256T	90.2	230/460	AF2P20T61Q40	LM21204		236	2119	LS-1
	1800	4400	256T	91.0	230/460	AF4P20T61Q40	LM21205		236	2003	LS-1
	1200	4200	286T	90.2	230/460	AF6P20T61YQ40	LM21209		408	3501	LS-1
25	3600	4200	284TS	91.0	230/460	AF2P25TS61YQ40	LM21207		363	2840	LS-1
	1800	4200	284T	92.4	230/460	AF4P25T61YQ40	LM21208		363	2631	LS-1
	1200	4000	324T	91.7	230/460	SF6P25T61YQ40	LM21212		504	4396	LS-1
30	3600	4200	286TS	91.0	230/460	AF2P30TS61YQ40	LM21210		408	3281	LS-1
	1800	4200	286T	92.4	230/460	AF4P30T61YQ40	LM21211		408	3078	LS-1
	1200	4000	326T	91.7	230/460	SF6P30T61YQ40	LM21215		570	5365	LS-1
40	3600	4000	324TS	91.7	230/460	SF2P40TS61YQ40	LM21213		504	4134	LS-1
	1800	4000	324T	93.0	230/460	SF4P40T61YQ40	LM21214		504	3990	LS-1
	1200	3800	364T	93.0	230/460	SF6P40T61YQ40	LM21218		765	5625	LS-1
50	3600	4000	326TS	92.4	230/460	SF2P50TS61YQ40	LM21216		558	5147	LS-1
	1800	4000	326T	93.0	230/460	SF4P50T61YQ40	LM21217		558	4281	LS-1
	1200	3800	365T	93.0	230/460	SF6P50T61YQ40	LM21221		822	6977	LS-1
60	3600	3800	364TS	93.0	230/460	SF2P60TS61YQ40	LM21219		765	7672	LS-1
	1800	3800	364T	93.6	230/460	SF4P60T61YQ40	LM21220		765	6203	LS-1
	1200	3600	404T	93.6	230/460	SF6P60T61YQ40	LM21224		918	8030	LS-1
75	3600	3800	365TS	93.0	230/460	SF2P75TS61YQ40	LM21222		822	8019	LS-1
	1800	3800	365T	94.1	230/460	SF4P75T61YQ40	LM21223		822	7881	LS-1
	1200	3600	405T	93.6	230/460	SF6P75T61YQ40	LM21225		1002	10281	LS-1
100	3600	3600	405TS	93.6	230/460	SF2P100TS61YQ40	LM21226		1002	10919	LS-1
	1800	3600	405T	94.5	230/460	SF4P100T61YQ40	LM21227		1002	10209	LS-1
	1200	3000	444T	94.1	460	SF6P100T64YQ40	LM21228		1351	12948	LS-1
125	3600	3600	444TS	94.5	460	SF2P125TS64YQ40	LM21229		1351	13610	LS-1
	1800	3000	444T	94.5	460	SF4P125T64YQ40	LM21230		1351	12682	LS-1
	1200	3000	445T	94.1	460	SF6P125T64YQ40	LM21231		1504	15265	LS-1
150	3600	3600	445TS	94.5	460	SF2P150TS64YQ40	LM21232		1504	16604	LS-1
	1800	3000	445T	95.0	460	SF4P150T64YQ40	LM21233		1504	14671	LS-1
	1200	3000	445T	95.0	460	SF6P150T64YQ40	LM21234		1504	17717	LS-1
200	3600	3600	445TS	95.0	460	SF2P200TS64YQ40	LM21235		1504	20766	LS-1
	1800	3000	445T	95.0	460	SF4P200T64YQ40	LM21236		1504	17453	LS-1
	1200	3000	447T	95.0	460	SF6P200T64YQ40	LM21237		1812	20473	LS-1
250	3600	3600	449TS	95.4	460	SF2P250TS64YQ40	LM21240		2185	26806	LS-1
	1800	2800	447T	95.0	460	SF4P250T64YQ40	LM21238		1812	21003	LS-1

Prices and data subject to change without notice.

Product numbers in red are STOCK items.



TEFC 15 TO 60 HZ CONSTANT TORQUE INVERTER DUTY

230/460 & 460 VOLTS • 3-PHASE
FOOT MOUNT & C-FACE
1/3 TO 400 HP

FOOT MOUNT (cont'd)

HP	SYN RPM @ 60 Hz	RPM Max	Frame	FL Nom Eff (%)	Volts	Model Number	Product Number	Notes (see page 306)	Approx Shpg Wght (lbs)	List Price	Mult Sym
300	3600	3600	449TS	95.4	460	SF2P300TS64YQ40	LM21242		2185	\$30915	LS-1
	1800	2800	449T	95.4	460	SF4P300T64YQ40	LM21239		2185	22731	LS-1
350	3600	3600	449TS	95.8	460	SF2B350TS64YQ40	LM21243		2185	42592	LS-1
	1800	2800	449T	95.4	460	SF4P350T64YQ40	LM21244		2185	22444	LS-1
400	1800	2800	449T	96.2	460	SF4B400T64YQ40	TBD		TBD	41887	TBD

C-FACE WITH FEET

HP	SYN RPM @ 60 Hz	RPM Max	Frame	FL Nom Eff (%)	Volts	Model Number	Product Number	Notes (see page 306)	Approx Shpg Wght (lbs)	List Price	Mult Sym
1/3	1800	4000	56C	72.0	230/460	SRF4S0.33TC61Q40	LM22645		33	\$461	LS-1
1/2	3600	4000	56C	70.0	230/460	SRF2S0.5TC61Q40	LM22647		33	447	LS-1
	1800	4000	56C	74.0	230/460	SRF4S0.5TC61Q40	LM22649		33	525	LS-1
	1200	4000	56C	70.0	230/460	SRF6S0.5TC61Q40	LM22651		33	619	LS-1
3/4	3600	4000	56C	74.0	230/460	SRF2S0.75TC61Q40	LM22653		33	472	LS-1
	1800	4000	56C	77.0	230/460	SRF4S0.75TC61Q40	LM22655		33	533	LS-1
	1200	4000	56C	72.0	230/460	SRF6S0.75TC61Q40	LM22657		28	626	LS-1
1	3600	4000	56C	75.5	230/460	SRF2S1TC61Q40	LM22659		33	533	LS-1
	1800	4000	56C	78.5	230/460	SRF4S1TC61Q40	LM22661		28	548	LS-1
	1800	4000	143TC	82.5	230/460	SSF4P1TC61Q40	LM26081		52	612	LS-1
	1200	4000	145TC	80.0	230/460	SSF6P1TC61Q40	LM26323		57	730	LS-1
1 1/2	3600	4000	56C	78.5	230/460	SRF2S1.5TC61Q40	LM22663		28	568	LS-1
	3600	4000	143TC	82.5	230/460	SSF2P1.5TC61Q40	TBD		52	629	LS-1
	1800	4000	56HC	80.0	230/460	SRF4S1.5TC61Q40	LM22665		36	600	LS-1
	1800	4000	145TC	84.0	230/460	SSF4P1.5TC61Q40	LM26008		57	617	LS-1
	1200	4000	182TC	85.5	230/460	AAF6P1.5TC61Q40	LM22822		95	835	LS-1
2	3600	4000	56HC	78.5	230/460	SRF2S2TC61Q40	LM22667		36	610	LS-1
	3600	4000	145TC	84.0	230/460	SSF2P2TC61Q40	TBD		57	686	LS-1
	1800	4000	145TC	84.0	230/460	SSF4P2TC61Q40	LM25962		57	657	LS-1
	1200	4000	184TC	86.5	230/460	AAF6P2TC61Q40	LM22825		104	890	LS-1
3	3600	4000	182TC	85.5	230/460	AAF2P3TC61Q40	LM22826		95	853	LS-1
	1800	4000	182TC	87.5	230/460	AAF4P3TC61Q40	LM22827		95	792	LS-1
	1200	4600	213TC	87.5	230/460	AF6P3TC61Q40	LM22828		138	1123	LS-1
5	3600	4000	184TC	87.5	230/460	AAF2P5TC61Q40	LM22829		104	983	LS-1
	1800	4000	184TC	87.5	230/460	AAF4P5TC61Q40	LM22830		104	877	LS-1
	1200	4600	215TC	87.5	230/460	AF6P5TC61Q40	LM31434		149	1472	LS-1
7 1/2	3600	4600	G213TC	88.5	230/460	AF2P7.5TC61Q40	LM22832		138	1233	LS-1
	1800	4600	213TC	89.5	230/460	AAF4P7.5TC61Q40	LM22833		138	1098	LS-1
	1200	4400	254TC	89.5	230/460	AF6P7.5TC61Q40	LM22834		221	1959	LS-1
10	3600	4600	G215TC	89.5	230/460	AF2P10TC61Q40	LM22835		149	1435	LS-1
	1800	4600	215TC	89.5	230/460	AF4P10TC61Q40	LM22836		149	1272	LS-1
	1200	4400	256TC	89.5	230/460	AF6P10TC61Q40	LM22837		248	2382	LS-1
15	3600	4400	G254TC	90.2	230/460	AF2P15TC61Q40	LM22838		221	1915	LS-1
	1800	4400	254TC	91.0	230/460	AF4P15TC61Q40	LM22839		221	1819	LS-1
20	3600	4400	256TC	90.2	230/460	AF2P20TC61Q40	LM22840		248	2208	LS-1
	1800	4400	256TC	91.0	230/460	AF4P20TC61Q40	LM22841		248	2094	LS-1

Prices and data subject to change without notice.

Product numbers in red are STOCK items.

ODP • 30 TO 60 HZ CONSTANT TORQUE INVERTER DUTY



230/460 & 460 VOLTS • 3-PHASE
FOOT MOUNT & C-FACE
1/3 TO 400 HP

Features:

- 10:1 Constant torque speed range at continuous duty of 6-60 Hz.
- Variable torque speed range with open loop drive of 0-60 Hz.
- Constant horsepower speed range of 2x base speed (56-256T frames) or 1.5x base speed* (284T-449T frames).
- Ultimate Spike Defense™ Insulation System
- 1.00 service factor on PWM waveform, 1.15 service factor or better on sine-wave power.
- Precision dynamic balanced rotor assembly
- Thermal overload protection (Class F thermostats)
- Warranty: 42 months from date of manufacture and 36 months from date of installation which ever period expires first.
- Made in the U.S.A.



Applications:

For use in constant torque (conveyors, machine tools) or variable torque (pumps, fans) variable speed applications within the stated speed range of the motor.

* Actual speed not to exceed "RPM MAX" listed for specific motor.

FOOT MOUNT

HP	SYN RPM @ 60 Hz	RPM Max	Frame	FL Nom Eff (%)	Volts	Model Number	Product Number	Notes (see page 306)	Approx Shpg Wght (lbs)	List Price	Mult Sym
1	1800	5000	143T	82.5	230/460	SSD4P1T61Q40	LM21148	D	55	\$528	LS-1
1 1/2	1800	5000	145T	84.0	230/460	SSD4P1.5T61Q40	LM21151	D	68	551	LS-1
2	1800	5000	145T	84.0	230/460	SSD4P2T61Q40	LM21153	D	68	582	LS-1
3	1800	4800	182T	86.5	230/460	SSD4P3T61Q40	LM21157	D	82	659	LS-1
5	1800	4800	184T	87.5	230/460	SSD4P5T61Q40	LM21159		71	843	LS-1
7 1/2	1800	4600	213T	88.5	230/460	SSD4P7.5T61Q40	LM21162	D	141	968	LS-1
10	1800	4600	215T	89.5	230/460	SSD4P10T61Q40	LM21165	D	168	1137	LS-1
	1200	4400	256T	90.2	230/460	SSD6P10T61Q40	LM21170	D	255	1742	LS-1
15	1800	4400	254T	91.0	230/460	SSD4P15T61Q40	LM21168	D	245	1624	LS-1
20	1800	4400	256T	91.0	230/460	SSD4P20T61Q40	LM21171		255	1797	LS-1
25	1800	4000	284T	91.7	230/460	SD4P25T61YQ40	LM21174❖	D	N/A	2360	LS-1
	1800	4000	284T	91.7	230/460	CCD4P25T61YQ40	LM29579			350	
30	1800	4000	286T	92.4	230/460	SD4P30T61YQ40	LM21177❖	D	N/A	2685	LS-1
	1800	4000	286T	92.4	230/460	CCD4P30T61YQ40	LM29936			400	
40	1800	4000	324T	93.0	230/460	SD4P40T61YQ40	LM21180	D	469	3411	LS-1
50	1800	4000	326T	93.0	230/460	SD4P50T61YQ40	LM21118	D	522	3808	LS-1
75	1800	3800	365T	94.1	230/460	SD4P75T61YQ40	LM21124		763	4986	LS-1
100	1800	3600	404T	94.1	230/460	SD4P100T61YQ40	LM21127		882	6385	LS-1
125	1800	3600	405T	94.5	230/460	SD4P125T61YQ40	LM30727		958	7295	LS-1

Prices and data subject to change without notice.
❖ Contact your local sales office for availability.

Product numbers in red are STOCK items.



TEFC • CAST IRON SEVERE DUTY 15 TO 60 HZ CONSTANT TORQUE • INVERTER DUTY

230/460 & 460 VOLTS • 3-PHASE
FOOT MOUNT & C-FACE
1 TO 350 HP

Features:

- 10:1 Constant torque speed range of 6-60 Hz at continuous duty.
- Variable torque speed range of 0-60 Hz.
- Constant horsepower speed range of 2x base speed (56-256T frames) or 1.5x base speed* (284T-449T frames).
- Wider speed ranges possible on intermittent duty
- Severe Duty – full cast iron construction
- Ultimate Spike Defense™ Insulation System
- 1.00 service factor on PWM waveform, 1.15 service factor or better on sine-wave power.
- Precision dynamic balanced rotor assembly
- Thermal overload protection (Class F thermostats)
- Warranty: 42 months from date of manufacture and 36 months from date of installation which ever period expires first.
- Made in the U.S.A.



Applications:

For use in constant torque (conveyors, machine tools) or variable torque (pumps, fans) variable speed applications within the stated speed range of the motor.

Supporting Materials:

Dimensions: contact your local sales office
Performance: contact your local sales office

* Actual speed not to exceed "RPM MAX" listed for specific motor.

FOOT MOUNT

HP	SYN @ 60 Hz	Frame	FL Nom Eff (%)	SF	Volts	Model Number	Product Number	Notes (see page 306)	Approx Shpg Wght (lbs)	List Price	Mult Sym
1	1800	143T	82.5	1.00	230/460	CS4P1T61Q40	LM21525	D	74	\$717	LS-1
	1200	145T	84.0	1.00	230/460	CS6B1T61Q40	LM21585	D	83	942	LS-1
1 1/2	1800	145T	84.0	1.00	230/460	CS4P1.5T61Q40	LM21528	D	83	739	LS-1
5	1800	184T	87.5	1.00	230/460	CCS4P5T61Q40	LM21537	D	133	1028	LS-1
7 1/2	1800	213T	89.5	1.00	230/460	CCS4P7.5T61Q40	LM21540	D	188	1315	LS-1
10	1800	215T	89.5	1.00	230/460	CCS4P10T61Q40	LM21543	D	205	1607	LS-1
20	1800	256T	91.0	1.00	230/460	CCS4P20T61Q40	LM21549	D	378	2472	LS-1
25	1800	284T	92.4	1.00	230/460	CCS4P25T61YQ40	LM21552	D	531	3015	LS-1
30	3600	286TS	93.0	1.00	230/460	CCS2B30TS61YQ40	LM21613	D	571	4081	LS-1
	1800	286T	92.4	1.00	230/460	CCS4P30T61YQ40	LM21555	D	571	3579	LS-1
300	3600	449TS	95.4	1.00	460	CCS2P300TS64YQ40	LM21582		2883	34765	LS-1
	1800	447T	96.2	1.00	460	CCS4B300T64YQ40	LM21643	D	2572	31242	LS-

C-FACE

HP	SYN @ 60 Hz	Frame	FL Nom Eff (%)	SF	Volts	Model Number	Product Number	Notes (see page 306)	Approx Shpg Wght (lbs)	List Price	Mult Sym
3	1800	182T	87.5	1.00	230/460	CCS4P3TC61Q40	LM22854		152	\$952	LS-1

Prices and data subject to change without notice.

Product numbers in red are STOCK items.

TOTALLY ENCLOSED • 0 TO 60 HZ CONSTANT TORQUE INVERTER DUTY CTAC®



230/460 & 460 VOLTS • 3-PHASE
FOOT MOUNT & C-FACE
1/3 TO 200 HP

Features:

- 2000:1 constant torque speed range of 0-60 Hz at continuous duty (range on RF models is 6-60Hz).
- Variable torque speed range of 0-60 Hz.
- Constant horsepower speed range of 2x base speed (56-256T frames) or 1.5x base speed* (284T-445T frames).
- Wider speed ranges possible on intermittent duty
- Ultimate Spike Defense™ Insulation System
- Ideally suited for IGBT power
- 1.00 SF, 40°C ambient on PWM waveform
- C-Face standard on frames 56-256T
- Precision dynamic balanced rotor assembly
- Over temperature protection (Class F thermostat)
- Provision for mounting feedback device - Q10 models
- TEBC - 3 phase blower motor standard
- Warranty on CTAC motor, 42 months from date of manufacture and 36 months from date of installation which ever period expires first.
- Warranty on TEBC blower motor 30 months from date of manufacture and 24 months from date of installation which ever period expires first.
- Made In U.S.A.



Applications:

Suitable for use in extruders, conveyors, machine tools and other process industries with constant torque, variable speed loads.

In a very small percentage of installations, bearing currents can develop in motors operated by PWM-based adjustable-speed drives. Contact your local sales office to review ways of eliminating bearing currents.

* Actual speed not to exceed "RPM MAX" listed for specific motor.

C-FACE WITH FEET (56-256T)

HP	SYN RPM @ 60 Hz	RPM Max	Frame	Enclosure	Volts	Model Number	Product Number	Notes (see page 306)	Approx Shpg Wght (lbs)	List Price	Mult Sym
1/3	1800	4000	56C	TEFC	230/460	SRF4S0.33TC61Q20	LM10336		26	\$411	LS-1
1/2	1800	4000	56C	TEFC	230/460	SRF4S0.5TC61Q20	LM10337		28	479	LS-1
	1200	4000	56HC	TEFC	230/460	SRF6S0.5TC61Q20	LM10338		41	562	LS-1
3/4	1800	4000	56HC	TEFC	230/460	SRF4S0.75TC61Q20	LM10339		36	534	LS-1
1	1800	4000	56HC	TEFC	230/460	SRF4S1TC61Q20	LM10340		41	1028	LS-1
	1800	5000	145TC	TENV	230/460	SSN4S1TC61Q10	LM26359		62	1041	LS-1
	1200	4800	182TC	TENV	230/460	AAN6S1TC61Q10	LM06103		78	1178	LS-1
	900	4800	184TC	TENV	230/460	AAN8S1TC61Q10	LM06105		90	1469	LS-1
1 1/2	1800	5000	145TC	TENV	230/460	SSN4S1.5TC61Q10	LM26233		65	1156	LS-1
	1200	4800	184TC	TENV	230/460	AAN6S1.5TC61Q10	LM06109		90	1271	LS-1
	900	4600	213TC	TENV	230/460	AN8S1.5TC61Q10	LM06111		121	2053	LS-1
2	1800	4800	182TC	TENV	230/460	AAN4S2TC61Q10	LM06113		74	1254	LS-1
	1200	4600	213TC	TENV	230/460	AN6S2TC61Q10	LM06115		121	1739	LS-1
	900	4600	215TC	TENV	230/460	AN8S2TC61Q10	LM06117		121	2312	LS-1

Prices and data subject to change without notice.

Product numbers in red are STOCK items.



TOTALLY ENCLOSED • 0 TO 60 HZ CONSTANT TORQUE INVERTER DUTY CTAC®

230/460 & 460 VOLTS • 3-PHASE
FOOT MOUNT & C-FACE
1/3 TO 200 HP

C-FACE WITH FEET (56-256T) & FOOT MOUNT (284T-445T)

HP	SYN RPM @ 60 Hz	RPM Max	Frame	Enclosure	Volts	Model Number	Product Number	Notes (see page 306)	Approx Shpg Wght (lbs)	List Price	Mult Sym
3	1800	4800	184TC	TENV	230/460	AAN4S3TC61Q10	LM06119		86	\$1459	LS-1
	1200	4600	215TC	TENV	230/460	AN6S3TC61Q10	LM06121		135	2327	LS-1
	900	4400	254TC	TENV	230/460	AN8S3TC61Q10	LM06123		186	4115	LS-1
5	1800	4600	213TC	TENV	230/460	AN4S5TC61Q10	LM06125		115	1674	LS-1
	1200	4400	254TC	TENV	230/460	AN6S5TC61Q10	LM06127		200	3732	LS-1
	900	4400	256TC	TENV	230/460	AN8S5TC61Q10	LM06129		219	4811	LS-1
7 1/2	1800	4600	215TC	TENV	230/460	AN4S7.5TC61Q10	LM06131		115	2232	LS-1
	1200	4400	256TC	TENV	230/460	AN6S7.5TC61Q10	LM06133		219	4283	LS-1
10	1800	4400	256TC	TENV	230/460	AN4S10TC61Q10	LM06135		211	2415	LS-1
15	1200	4200	284T	TEBC	230/460	SB6H15T61Q10	LM03140		350	6608	LS-1
20	1200	4200	286T	TEBC	230/460	SB6H20T61Q10	LM03156		420	7435	LS-1
25	1800	4200	284T	TEBC	230/460	SB4H25T61Q10	LM03188		350	4192	LS-1
	1200	4000	324T	TEBC	230/460	SB6H25T61Q10	LM03204		490	8545	LS-1
30	1800	4200	286T	TEBC	230/460	SB4H30T61Q10	LM03236		420	4818	LS-1
	1200	4000	326T	TEBC	230/460	SB6H30T61Q10	LM03252		550	9497	LS-1
40	1800	4000	324T	TEBC	230/460	SB4H40T61Q10	LM03284		420	6490	LS-1
	1200	3800	364T	TEBC	230/460	SB6H40T61Q10	LM03300		670	11370	LS-1
50	1800	4000	326T	TEBC	230/460	SB4H50T61Q10	LM03332		490	7288	LS-1
	1200	3800	365T	TEBC	230/460	SB6H50T61Q10	LM03348		740	13902	LS-1
60	1800	3800	364T	TEBC	230/460	SB4H60T61Q10	LM03376		670	8548	LS-1
	1200	3600	404T	TEBC	230/460	SB6H60T61Q10	LM03396		880	14595	LS-1
75	1800	3800	365T	TEBC	230/460	SB4H75T61Q10	LM03424		740	10073	LS-1
	1200	3600	405T	TEBC	230/460	SB6H75T61Q10	LM03444		1000	18369	LS-1
100	1800	3600	405T	TEBC	230/460	SB4H100T61Q10	LM03472		1000	15232	LS-1
	1200	3000	444T	TEBC	460	SB6H100T64YQ10	LM03490		1290	19447	LS-1
125	1800	3000	444T	TEBC	460	SB4H125T64YQ10	LM03516		1290	20254	LS-1
	1200	3000	445T	TEBC	460	SB6H125T64YQ10	LM03536		1480	24788	LS-1
150	1800	3000	445T	TEBC	460	SB4H150T64YQ10	LM03564		1480	24140	LS-1
200	1800	3000	445T	TEBC	460	SB4H200T64YQ10	LM03596		1480	25526	LS-1

Prices and data subject to change without notice.

Product numbers in red are STOCK items.

TOTALLY ENCLOSED • 0 TO 60 HZ CONSTANT TORQUE VECTOR DUTY CTAC®



FOOT MOUNT & C-FACE
1/3 TO 200 HP

Features:

- 2000:1 constant torque speed range of 0-60 Hz at continuous duty with closed-loop drive.
- Variable torque speed range of 0-60 Hz.
- Constant horsepower speed range of 2x base speed (56-256T frames) or 1.5x base speed* (284T-445T frames).
- Ultimate Spike Defense™ Insulation System
- Ideally suited for IGBT power
- 1.00 SF, 40°C ambient on PWM waveform
- C-Face standard on frames 56-256T
- Precision dynamic balanced rotor assembly
- Over temperature protection (Class F thermostat)
- 1024 ppr encoder with differential line driver
- Separate terminal box or conduit with terminal block for feedback termination
- TEBC – 3 phase blower motor standard
- Warranty: (CTAC motor) 42 months from date of manufacture and 36 months from date of installation which ever period expires first. Feedback device and blower motor (TEBC) 30 months from date of manufacture and 24 months from date of installation which ever period expires first.
- Made In U.S.A.



Applications:

For use in demanding industrial applications where premium construction and performance are required. Suitable for use in extruders, conveyors, machine tools and other process industries with constant torque, variable speed loads.

In a very small percentage of installations, bearing currents can develop in motors operated by PWM-based adjustable-speed drives. Contact your local sales office to review ways of eliminating bearing currents.

* Actual speed not to exceed "RPM MAX" listed for specific motor.

C-FACE WITH FEET (56-256T)

HP	SYN RPM @ 60 Hz	RPM Max	Frame	Enclosure	Volts	Model Number	Product Number	Notes (see page 306)	Approx Shpg Wght (lbs)	List Price	Mult Sym
1/3	1800	5000	56C	TENV	230/460	SRN4S0.33TC61Q15	LM10346		43	\$1552	LS-1
1/2	1800	5000	56C	TENV	230/460	SRN4S0.5TC61Q15	LM10347		43	1621	LS-1
	1200	5000	56HC	TENV	230/460	SRN6S0.5TC61Q15	LM10348		43	1703	LS-1
3/4	1800	5000	56HC	TENV	230/460	SRN4S0.75TC61Q15	LM10349		54	1677	LS-1
1	1800	5000	56HC	TENV	230/460	SRN4S1TC61Q15	LM10350		54	2286	LS-1
	1800	5000	145TC	TENV	230/460	SSN4S1TC61Q15	LM26109		82	2286	LS-1
	1200	4800	182TC	TENV	230/460	AAN6S1TC61Q15	LM03973		98	2801	LS-1
	900	4800	184TC	TENV	230/460	AAN8S1TC61Q15	LM03975		110	2746	LS-1
1 1/2	1800	5000	145TC	TENV	230/460	SSN4S1.5TC61Q15	LM26278		85	2456	LS-1
	1200	4800	184TC	TENV	230/460	AAN6S1.5TC61Q15	LM03981		110	2550	LS-1
	900	4600	213TC	TENV	230/460	AN8S1.5TC61Q15	LM03983		141	3331	LS-1
2	1800	4800	182TC	TENV	230/460	AAN4S2TC61Q15	LM03987		98	2531	LS-1
	1200	4600	213TC	TENV	230/460	AN6S2TC61Q15	LM03989		141	3019	LS-1
	900	4600	215TC	TENV	230/460	AAN8S2TC61Q15	LM03991		141	3591	LS-1

Prices and data subject to change without notice.

Product numbers in red are STOCK items.



TOTALLY ENCLOSED • 0 TO 60 HZ CONSTANT TORQUE VECTOR DUTY CTAC®

FOOT MOUNT & C-FACE
1/3 TO 200 HP

C-FACE WITH FEET (56-256T) & FOOT MOUNT (284T-445T)

HP	SYN RPM @ 60 Hz	RPM Max	Frame	Enclosure	Volts	Model Number	Product Number	Notes (see page 306)	Approx Shpg Wght (lbs)	List Price	Mult Sym
3	1800	4800	184TC	TENV	230/460	AAN4S3TC61Q15	LM03995		110	\$2738	LS-1
	1200	4600	215TC	TENV	230/460	AN6S3TC61Q15	LM03997		155	3605	LS-1
	900	4400	254TC	TENV	230/460	AN8S3TC61Q15	LM03999		206	5393	LS-1
5	1800	4600	213TC	TENV	230/460	AAN4S5TC61Q15	LM04003		115	2953	LS-1
	1200	4400	254TC	TENV	230/460	AN6S5TC61Q15	LM04005		220	5011	LS-1
	900	4400	256TC	TENV	230/460	AN8S5TC61Q15	LM04007		239	6091	LS-1
7 1/2	1800	4600	215TC	TENV	230/460	AN4S7.5TC61Q15	LM31463		155	3511	LS-1
	1200	4400	256TC	TENV	230/460	AN6S7.5TC61Q15	LM04013		239	5562	LS-1
10	1800	4400	256TC	TENV	230/460	AN4S10TC61Q15	LM30572		235	3693	LS-1
15	1200	4200	284T	TEBC	230/460	CCB6S15T61Q15	LM31961		490	7865	LS-1
20	1200	4200	286T	TEBC	230/460	SB6H20T61Q15	LM03157		420	8692	LS-1
25	1800	4200	284T	TEBC	230/460	SB4H25T61Q15	LM03189		350	5449	LS-1
	1200	4000	324T	TEBC	230/460	SB6H25T61Q15	LM03205		490	9803	LS-1
30	1800	4200	286T	TEBC	230/460	SB4H30T61Q15	LM03237		420	6075	LS-1
	1200	4000	326T	TEBC	230/460	SB6H30T61Q15	LM03253		550	10754	LS-1
40	1800	4000	324T	TEBC	230/460	SB4H40T61Q15	LM03285		550	7748	LS-1
	1200	3800	364T	TEBC	230/460	SB6H40T61Q15	LM03301		670	12626	LS-1
50	1800	4000	326T	TEBC	230/460	SB4H50T61Q15	LM03333		550	8547	LS-1
	1200	3800	365T	TEBC	230/460	SB6H50T61Q15	LM03349		740	15158	LS-1
60	1800	3800	364T	TEBC	230/460	SB4H60T61Q15	LM03377		690	9806	LS-1
	1200	3600	404T	TEBC	230/460	SB6H60T61Q15	LM03397		1000	15853	LS-1
75	1800	3800	365T	TEBC	230/460	SB4H75T61Q15	LM03425		740	11332	LS-1
	1200	3600	405T	TEBC	230/460	SB6H75T61Q15	LM03445		1000	19628	LS-1
100	1800	3600	405T	TEBC	230/460	SB4H100T61Q15	LM03473		1000	16488	LS-1
	1200	3000	444T	TEBC	460	SB6H100T64YQ15	LM03491		1290	20706	LS-1
125	1800	3000	444T	TEBC	460	SB4H125T64YQ15	LM03517		1290	21511	LS-1
	1200	3000	445T	TEBC	460	SB6H125T64YQ15	LM03537		1480	26047	LS-1
150	1800	3000	445T	TEBC	460	SB4H150T64YQ15	LM03565		1490	25400	LS-1
200	1800	3000	445T	TEBC	460	SB4H200T64YQ15	LM03597		1500	26782	LS-1

Prices and data subject to change without notice.

Product numbers in red are STOCK items.

TEFC • MEDIUM VOLTAGE

2300/4000 VOLTS • 3-PHASE
FOOT MOUNT
150 TO 700 HP



Frames 447T - 449T

Features:

- Full cast iron construction.
- Double shielded radial ball bearings rated at 100,000 hour B-10 life on direct coupled loads (contact your local Sales office about belted loads).
- Grease fittings with extended grease tubes.
- Internal and external epoxy finish.
- Premium Class H insulation system.
- Front and rear cast iron bearing caps.
- Warranty: 18 months from date of manufacture and 12 months from date of installation which ever period expires first.
- Made in U.S.A.

Frames 5011 - 5013

Features:

- Full cast iron construction.
- Open Conrad-type ball bearings rated at 100,000 hour B-10 life on direct coupled loads (contact your local Sales office about belted loads).
- Grease fittings with extended grease tubes.
- Corrosion resistant breather/drains.
- Oversized cast iron terminal box.
- Internal and external epoxy finish.
- Premium Class H insulation system.
- Inpro/Seal™ bearing isolators on each end.
- Front and rear cast iron bearing caps.
- Provision for jacking bolts in all four feet.
- Provision for dowel pins in drive end feet.
- Grounding points located in terminal box and feet.
- 100 ohm platinum winding RTDs as standard on sizes 400 HP and larger.
- Frame 5011 has mounting holes for 5010, 5011 and 5012 as standard. Frame 5013 has mounting holes for 5012 and 5013 as standard.
- Warranty: 18 months from date of manufacture and 12 months from date of installation which ever period expires first.
- Made in U.S.A.



Applications:

Ideally suited for applications requiring heavy duty, large horsepower electric motors. Typical uses include pulp and paper mills, mineral processing, waste management facilities, lumber and wood processing mills, automobile manufacturing plants and other severe duty environments where medium voltage power is available.

NOTE: Lincoln is continuously improving and expanding its line of **MEDIUM VOLTAGE** motors. Contact your local sales office if you don't find the motor you need listed here – there's a good chance we can build it for you.



TEFC • MEDIUM VOLTAGE

2300/4000 VOLTS • 3-PHASE

FOOT MOUNT

150 TO 700 HP

FOOT MOUNT

HP	SYN RPM	Frame	FL Nom Eff (%)	SF	Volts	Model Number	Product Number	Notes (see page 306)	Approx Shpg Wght (lbs)	List Price	Mult Sym
150	1800	447T	93.6	1.15	2300/4000	CC447F4P150T6024	LM22218		2850	\$47661	LL-2
	1200	449T	95.0	1.15	2300/4000	CC449F6P150T6024	LM22216		2850	59990	LL-2
	900	5011LS	94.5	1.15	2300/4000	CC5011S8P150LS6024	LM22214		5500	76901	LL-2
200	1800	447T	93.6	1.15	2300/4000	CC447F4P200T6024	LM22219		2875	50683	LL-2
	1200	449T	95.4	1.15	2300/4000	CC449F6P200T6024	LM22217		2875	64607	LL-2
	900	5011LS	95.0	1.15	2300/4000	CC5011S8P200LS6024	LM22215		5500	81176	LL-2
250	1800	449T	94.1	1.15	2300/4000	CC449F4P250T6024	LM22207		2920	55097	LL-2
	1200	5011LS	95.4	1.15	2300/4000	CC5011S6P250LS6025	LM22221		5500	65776	LL-2
	900	5011LS	95.4	1.15	2300/4000	CC5011S8P250LS6024	LM27283		5500	83530	LL-2
300	1800	449T	95.0	1.15	2300/4000	CC449F4P300T6024	LM22220		2970	61971	LL-2
	1200	5011LS	95.8	1.15	2300/4000	CC5011S6P300LS6024	LM22222		5500	69796	LL-2
	900	5013LS	95.4	1.15	2300/4000	CC5013S8P300LS6024	LM27284		5500	96268	LL-2
350	1800	5011LS	95.4	1.15	2300/4000	CC5011S4P350LS6024	LM22225		5500	65121	LL-2
	1200	5011LX	96.2	1.15	2300/4000	CC5011S6P350LX6024	LM22223		5500	75416	LL-2
	900	5013LS	95.4	1.15	2300/4000	CC5013S8P350LS6024	LM27285		5500	106005	LL-2
400	1800	5011LX	95.8	1.15	2300/4000	CC5011S4P400LX6024TD2	LM22226		5500	67145	LL-2
	1200	5011LS	96.2	1.15	2300/4000	CC5011S6P400LS6024TD2	LM22224		5500	80379	LL-2
450	1800	5011LX	95.8	1.15	2300/4000	CC5011S4P450LX6024TD2	LM22227		5500	71447	LL-2
	1200	5013LS	96.2	1.15	2300/4000	CC5013S6P450LS6024TD2	LM27286		7200	86665	LL-2
500	1800	5011LX	96.5	1.15	2300/4000	CC5011S4P500LX6024TD2	LM22488		5500	75745	LL-2
	1200	5013LS	96.2	1.15	2300/4000	CC5013S6P500LS6024TD2	LM27287		7200	92287	LL-2
600	1800	5011LX	96.5	1.15	2300/4000	CC5011S4P600LX6024TD2	LM27288		5500	125487	LL-2
700	1800	5013LS	96.5	1.15	2300/4000	CC5013S4P700LS6024TD2	LM27289		7200	129213	LL-2

Prices and data subject to change without notice.

Product numbers in red are STOCK items.

HARSH ENVIRONMENTS WASH-THRU™ MOTORS

240/460 VOLTS • 3-PHASE
FOOT MOUNT & C-FACE



Lincoln's revolutionary Wash-Thru™ design utilizes **Pressure Encapsulation Technology** for unbeatable winding protection and unsurpassed motor life in many harsh environments. Wash-Thru™ motors can provide an improvement in plant efficiency and a reduction in maintenance costs due to an increase in process up-time.

Features:

- Pressure Encapsulation Technology – thermosetting polyester-based resin is forced into and around the motor windings impregnating and encapsulating coil noses and filling stator slots. A silicone-based coating on stator bore surfaces completes the process. The result is unbeatable protection from excessive moisture, chemical action and vibration.
- Full length 303 stainless steel shaft.
- Double-sealed bearings and v-ring shaft slinger.
- Laser etched, stainless steel nameplate for permanent motor identification.
- Premium Class F Insulation system
- FDA approved white finish coat
- Warranty (sine-wave and inverter power) – 18 months from date of manufacture and 12 months from date of installation which ever period expires first.
- Made in U.S.A.



Cutaway model shows encapsulated windings.

Applications:

Exceptional choice for demanding uses in poultry, seafood, meat and other food processing plants. Other applications include areas where a high degree of dust, moisture, and vibration exist.

Supporting Information:

Dimensions: 56-56H-143T – Contact your local sales office
Performance: Contact your local sales office

Speed ranges (continuous duty) on variable-frequency electronic speed controls (inverters):

- Constant Torque: 45 to 60 Hz
- Variable Torque: 6 to 60 Hz

FOOT MOUNT

HP	SYN RPM	Frame	FL Nom Eff (%)	SF	Volts	Model Number	Product Number	Notes (see page 306)	Approx Shpg Wght (lbs)	List Price	Mult Sym
1/2	3600	56	70.0	1.00	230/460	SREW2S0.5T61	LM21031		30	\$708	LT-1A
	1800	56	68.0	1.00	230/460	SREW4S0.5T61	LM20655		26	764	LT-1A
	1200	56	70.0	1.00	230/460	SREW6S0.5T61	LM25419		28	948	LT-1A
3/4	3600	56	74.0	1.00	230/460	SREW2S0.75T61	LM21034		30	752	LT-1A
	1800	56	75.5	1.00	230/460	SREW4S0.75T61	LM20658		24	792	LT-1A
	1200	56	77.5	1.00	230/460	SREW6S0.75T61	LM22163		33	971	LT-1A
1	3600	56	78.5	1.00	230/460	SREW2S1T61	LM21037		30	817	LT-1A
	1800	56	77.0	1.00	230/460	SREW4S1T61	LM21061		30	829	LT-1A
	1800	143T	77.0	1.00	230/460	SSEW4S1T61	LM20667		35	829	LT-1A
	1200	56H	72.0	1.00	230/460	SREW6S1T61	LM25420		34	1070	LT-1A
	1200	145T	75.5	1.00	230/460	SSEW6S1T61	LM24280		34	1071	LT-1A
1 1/2	3600	K56	78.5	1.00	230/460	SREW2S1.5T61	LM21040		30	872	LT-1A
	3600	143T	78.5	1.00	230/460	SSEW2S1.5T61	LM21046		35	906	LT-1A
	1800	56H	80.0	1.00	230/460	SREW4S1.5T61	LM21062		30	864	LT-1A
	1800	145T	80.0	1.00	230/460	SSEW4S1.5T61	LM20670		35	864	LT-1A
	1200	182T	81.5	1.00	230/460	SSEW6S1.5T61	LM25421		35	1561	LT-1A
2	3600	56H	78.5	1.00	230/460	SREW2S2T61	LM21043		34	970	LT-1A
	3600	145T	82.5	1.00	230/460	SSEW2S2T61	LM21049		35	1010	LT-1A
	1800	56H	81.5	1.00	230/460	SREW4S2T61	LM21063		34	1060	LT-1A
	1800	145T	81.5	1.00	230/460	SSEW4S2T61	LM20673		35	1034	LT-1A
	1200	184T	80.0	1.00	230/460	SSEW6S2T61	LM25422		70	1725	LT-1A

Prices and data subject to change without notice.

Product numbers in red are STOCK items.



HARSH ENVIRONMENTS WASH-THRU™ MOTORS

240/460 VOLTS • 3-PHASE
FOOT MOUNT & C-FACE

FOOT MOUNT (cont'd)

HP	SYN RPM	Frame	FL Nom Eff (%)	SF	Volts	Model Number	Product Number	Notes (see page 306)	Approx Shpg Wght (lbs)	List Price	Mult Sym
3	3600	182T	81.5	1.00	230/460	SSEW2S3T61	LM21052		64	\$1206	LT-1A
	1800	182T	89.5	1.00	230/460	SSEW4S3T61	LM20676		64	1350	LT-1A
	1200	213T	78.5	1.00	230/460	SSEW6S3T61	LM25423		109	2165	LT-1A
5	3600	184T	81.5	1.00	230/460	SSEW2S5T61	LM21055		70	1707	LT-1A
	1800	184T	87.5	1.00	230/460	SSEW4S5T61	LM20679		70	1536	LT-1A
	1200	215T	82.5	1.00	230/460	SSEW6S5T61	LM25424		125	2850	LT-1A
7 1/2	3600	213T	81.5	1.00	230/460	SSEW2S7.5T61	LM22423		109	2125	LT-1A
	1800	213T	81.5	1.00	230/460	SSEW4S7.5T61	LM22435		109	1954	LT-1A
	1200	254T	86.5	1.00	230/460	SSEW6S7.5T61	LM23931		208	4226	LT-1A
10	3600	215T	84.0	1.00	230/460	SSEW2S10T61	LM22426		125	2536	LT-1A
	1800	215T	84.0	1.00	230/460	SSEW4S10T61	LM22438		125	2232	LT-1A

C-FACE WITH FEET

HP	SYN RPM	Frame	FL Nom Eff (%)	SF	Volts	Model Number	Product Number	Notes (see page 306)	Approx Shpg Wght (lbs)	List Price	Mult Sym
1/2	3600	56C	70.0	1.00	230/460	SREW2S0.5TC61	LM21032		35	\$746	LT-1A
	1800	56C	68.0	1.00	230/460	SREW4S0.5TC61	LM20656		35	802	LT-1A
3/4	3600	56C	74.0	1.00	230/460	SREW2S0.75TC61	LM21035		35	790	LT-1A
	1800	56C	75.5	1.00	230/460	SREW4S0.75TC61	LM20659		35	830	LT-1A
1	3600	56C	78.5	1.00	230/460	SREW2S1TC61	LM21038		35	858	LT-1A
	1800	56C	77.0	1.00	230/460	SREW4S1TC61	LM20661		35	866	LT-1A
	1800	143TC	77.0	1.00	230/460	SSEW4S1TC61	LM20668		40	866	LT-1A
1 1/2	3600	56C	81.5	1.00	230/460	SREW2S1.5TC61	LM21041		35	911	LT-1A
	3600	143TC	78.5	1.00	230/460	SSEW2S1.5TC61	LM21047		40	943	LT-1A
	1800	56HC	80.0	1.00	230/460	SREW4S1.5TC61	LM20663		35	904	LT-1A
	1800	145TC	80.0	1.00	230/460	SSEW4S1.5TC61	LM20671		40	904	LT-1A
2	3600	56HC	82.5	1.00	230/460	SREW2S2TC61	LM21044		40	1008	LT-1A
	3600	145TC	78.5	1.00	230/460	SSEW2S2TC61	LM21050		40	1048	LT-1A
	1800	56HC	81.5	1.00	230/460	SREW4S2TC61	LM20665		40	1098	LT-1A
	1800	145TC	81.5	1.00	230/460	SSEW4S2TC61	LM20674		40	1073	LT-1A
3	3600	182TC	81.5	1.00	230/460	SSEW2S3TC61	LM21053		73	1264	LT-1A
	1800	182TC	81.5	1.00	230/460	SSEW4S3TC61	LM20677		73	1409	LT-1A
5	3600	184TC	81.5	1.00	230/460	SSEW2S5TC61	LM21056		79	1765	LT-1A
	1800	184TC	81.5	1.00	230/460	SSEW4S5TC61	LM20680		79	1594	LT-1A
7 1/2	3600	213TC	81.5	1.00	230/460	SSEW2S7.5TC61	LM22424		121	2192	LT-1A
	1800	213TC	81.5	1.00	230/460	SSEW4S7.5TC61	LM22436		121	2021	LT-1A
10	3600	215TC	84.0	1.00	230/460	SSEW2S10TC61	LM22427		139	2602	LT-1A
	1800	215TC	84.0	1.00	230/460	SSEW4S10TC61	LM22439		139	2299	LT-1A

Prices and data subject to change without notice.

Product numbers in red are STOCK items.

HARSH ENVIRONMENTS WASH-THRU™ MOTORS



240/460 VOLTS • 3-PHASE
FOOT MOUNT & C-FACE

C-FACE FOOTLESS

HP	SYN RPM	Frame	FL Nom Eff (%)	SF	Volts	Model Number	Product Number	Notes (see page 306)	Approx Shpg Wght (lbs)	List Price	Mult Sym
1/2	3600	56C	70.0	1.00	230/460	SREW2S0.5TCN61	LM21033		35	\$746	LT-1A
	1800	56C	74.0	1.00	230/460	SREW4S0.5TCN61	LM20657		35	802	LT-1A
3/4	3600	56C	74.0	1.00	230/460	SREW2S0.75TCN61	LM21036		35	790	LT-1A
	1800	56C	77.0	1.00	230/460	SREW4S0.75TCN61	LM20660		35	830	LT-1A
1	3600	56C	75.5	1.00	230/460	SREW2S1TCN61	LM21039		35	856	LT-1A
	1800	56C	78.5	1.00	230/460	SREW4S1TCN61	LM20662		35	866	LT-1A
	1800	143TC	78.5	1.00	230/460	SSEW4S1TCN61	LM20669		40	866	LT-1A
1 1/2	3600	56C	78.5	1.00	230/460	SREW2S1.5TCN61	LM21042		35	911	LT-1A
	3600	143TC	78.5	1.00	230/460	SSEW2S1.5TCN61	LM21048		40	943	LT-1A
	1800	56HC	80.0	1.00	230/460	SREW4S1.5TCN61	LM20664		35	904	LT-1A
2	1800	145TC	80.0	1.00	230/460	SSSEW4S1.5TCN61	LM20672		40	904	LT-1A
	3600	56HC	78.5	1.00	230/460	SREW2S2TCN61	LM21045		40	1008	LT-1A
	3600	145TC	78.5	1.00	230/460	SSEW2S2TCN61	LM21051		40	1048	LT-1A
3	1800	56HC	81.5	1.00	230/460	SREW4S2TCN61	LM20666		40	1098	LT-1A
	1800	145TC	81.5	1.00	230/460	SSEW4S2TCN61	LM20675		40	1072	LT-1A
	3600	182TC	81.5	1.00	230/460	SSEW2S3TCN61	LM21054		73	1264	LT-1A
5	1800	182TC	81.5	1.00	230/460	SSEW4S3TCN61	LM20678		73	1409	LT-1A
	3600	184TC	81.5	1.00	230/460	SSEW2S5TCN61	LM21057		79	1765	LT-1A
	1800	184TC	81.5	1.00	230/460	SSEW4S5TCN61	LM20681		79	1594	LT-1A
7 1/2	3600	213TC	81.5	1.00	230/460	SSEW2S7.5TCN61	LM22425		121	2192	LT-1A
	1800	213TC	81.5	1.00	230/460	SSEW4S7.5TCN61	LM22437		121	2021	LT-1A
10	3600	215TC	84.0	1.00	230/460	SSEW2S10TCN61	LM22428		139	2602	LT-1A
	1800	215TC	84.0	1.00	230/460	SSEW4S10TCN61	LM22440		139	2299	LT-1A

Prices and data subject to change without notice.

Product numbers in red are STOCK items.



S.S. WET-LINC™ TOTALLY ENCLOSED WASHDOWN • STAINLESS STEEL MOTORS

208-230/460 VOLTS • 3-PHASE

Features:

- Rust-free, corrosion resistant
- Totally enclosed, paint-free exterior reduces contamination
- Long lasting components made from 300 series stainless steel (frame, base, end brackets, terminal box, shaft extension, fan cover and hardware)
- Clean design with nameplate etched on the frame
- Leak resistant double sealed bearings and shaft seals
- Multiple, repositionable drains provide moisture outlet regardless of motor mounting angle
- Inverter-rated, quality UL recognized components listing and CSA
- Warranty: 18 months from manufacture date 12 months from installation, whichever comes first



Applications:

- Food Processing
- Pharmaceutical
- Packaging
- High Humidity Environments
- Chemical

C-FACE WITH FEET

HP	SYN RPM	Frame	FL Nom Eff (%)	SF	Volts	Model Number	Product Number	Notes (see page 306)	Approx Shpg Wght (lbs)	List Price	Mult Sym
1/3	1800	56C	78.5	1.15	208-230/460	SRNWA4SO.33TC6-26AP21	LM29189	D-191201	27	\$595	LT-1A
1/2	1800	56C	81.5	1.15	208-230/460	SRNWA4SO.5TC6-26AP21	LM29191	D-191204	30	613	LT-1A
3/4	1800	56C	82.5	1.15	208-230/460	SRNWA4SO.75TC6-26AP21	LM29193	D-191207	35	708	LT-1A
1	1800	56HC	82.5	1.15	208-230/460	SRFWA4S1TC6026AP21	LM29213	D-191291	44	739	LT1-A
	1800	140TC	82.5	1.15	208-230/460	SSFWA4S1TC6026AP21	LM29214	D-191211	39	795	LT1-B
	1800	56C	81.5	1.15	208-230/460	SRNWA4S1TC6026AP21	LM29601	D-G191212	45	736	LT1-A
1 1/2	1800	56HC	84.0	1.15	208-230/460	SRFWA4S1.5TC6026AP21	LM29217	D-191217	45	770	LT1-A
	1800	140TC	84.0	1.15	208-230/460	SSFWA4S1.5TC6026AP21	LM29218	D-G191218	46	827	LT1-B
2	1800	56HC	84.0	1.15	208-230/460	SRFWA4S2TC6026AP21	LM29221	D-191223	49	878	LT-1A
	1800	140TC	84.0	1.15	208-230/460	SSFWA4S2TC6026AP21	LM29222	D-G191224	53	982	LT-1B

C-FACE FOOTLESS

HP	SYN RPM	Frame	FL Nom Eff (%)	SF	Volts	Model Number	Product Number	Notes (see page 306)	Approx Shpg Wght (lbs)	List Price	Mult Sym
1/3	1800	56C	78.5	1.15	208-230/460	SRNWA4S0.33TCN6026AP21	LM29190	D-191202	22	\$590	LT1-A
1/2	1800	56C	81.5	1.15	208-230/460	SRNWA4S0.5TCN6026AP21	LM29192	D-191205	23	607	LT1-A
3/4	1800	56C	82.5	1.15	208-230/460	SRNWA4S0.75TCN6026AP21	LM29194	D-191208	31	706	LT1-A
1	1800	56C	82.5	1.15	208-230/460	SRFWA4S1TCN6026AP21	LM29215	D-191290	37	736	LT1-A
	1800	56C	81.5	1.15	208-230/460	SRNWA4S1TCN6026AP21	LM29600	D-191213	37	739	LT1-A
	1800	140TC	82.5	1.15	208-230/460	SSFWA4S1TCN6026AP21	LM29216	D-191214	38	758	LT1-B
1 1/2	1800	56C	84	1.15	208-230/460	SRFWA4S1.5TCN6026AP21	LM29219	D-191219	44	767	LT1-A
	1800	140TC	84	1.15	208-230/460	SSFWA4S1.5TCN6026AP21	LM29220	D-191220	45	789	LT1-B
2	1800	56C	84	1.15	208-230/460	SRFWA4S2TCN6026AP21	LM29223	D-191225	51	875	LT1-A
	1800	140TC	84	1.15	208-230/460	SSFWA4S2TCN6026AP21	LM29224	D-191226	52	902	LT1-B

Prices and data subject to change without notice.

D – items to be deleted once inventory is depleted. Replaced with the listed LEESON catalog number.

Product numbers in red are STOCK items.

TOTALLY ENCLOSED AUTOMOTIVE DUTY • 56 FRAME



230/460 VOLTS • 3-PHASE
FOOT MOUNT & C-FACE
1/4 TO 3 HP

Features:

- NEMA Design B Performance
- Steel frame/cast aluminum end brackets
- Premium Class F Insulation system
- Continuous Duty
- Nameplated 1.15 service factor, 40°C ambient and 1.00 service factor, 65°C ambient.
- Warranty – **48 & 56 frames** 12 months from date of first use or 18 months from date of manufacture or 12 months from date of installation, whichever period expires first.
- Made In U.S.A.



Applications:

Ideally suited for use on pumps, fans, conveyors, gear boxes and other equipment located in automotive manufacturing facilities.

FOOT MOUNT

HP	SYN RPM	Frame	FL Nom Eff (%)	SF	Volts	Model Number	Product Number	Notes (see page 306)	Approx Shpg Wght (lbs)	List Price	Mult Sym
1/4	1800	56	68.0	1.15	230/460	SRN4H0.25T61	LM25123	AH	22	\$400	LJ-1
	1200	56	73.4	1.15	230/460	SRN6H0.25T61	LM25127	AH	28	571	LJ-1
1/3	3600	56	64.0	1.15	230/460	SRN2H0.33T61	LM25124	AH	20	359	LJ-1
	1800	56	68.0	1.15	230/460	SRN4H0.33T61	LM25115	AH	22	425	LJ-1
	1200	56	75.5	1.15	230/460	SRN6H0.33T61	LM25116	AH	29	577	LJ-1
1/2	3600	56	74.0	1.15	230/460	SRN2H0.5T61	LM25126	AH	23	386	LJ-1
	1800	56	77.0	1.15	230/460	SRN4H0.5T61	LM24258	AH	26	487	LJ-1
	1200	56	78.5	1.15	230/460	SRN6H0.5T61	LM24268	AH	42	637	LJ-1
3/4	3600	56	80.0	1.15	230/460	SRN2H0.75T61	LM25133	AH	34	442	LJ-1
	1800	56	81.5	1.15	230/460	SRN4H0.75T61	LM24266	AH	30	538	LJ-1
	1800	56	75.5	1.15	230/460	SRF4H0.75T61	LM25142	AH	25	863	LJ-1
	1200	56	74.0	1.15	230/460	SRF6H0.75T61	LM25148		29	502	LJ-1
1	3600	56	82.5	1.15	230/460	SRN2H1T61	LM25129	AH	41	498	LJ-1
	1800	56	77.0	1.15	230/460	SRF4H1T61	LM25113		28	423	LJ-1
	1200	56	78.5	1.15	230/460	SRF6H1T61	LM25130		37	534	LJ-1
1 1/2	3600	56	80.0	1.15	230/460	SRF2H1.5T61	LM25160		27	463	LJ-1
	1800	56	80.0	1.15	230/460	SRF4H1.5T61	LM25147		32	463	LJ-1
2	3600	56	80.0	1.15	230/460	SRF2H2T61	LM25161		31	534	LJ-1
	1800	56	82.5	1.15	230/460	SRF4H2T61	LM25159		46	534	LJ-1
3	3600	56	84.0	1.15	230/460	SRF2H3T61	LM25152		44	598	LJ-1

C-FACE WITH FEET

HP	SYN RPM	Frame	FL Nom Eff (%)	SF	Volts	Model Number	Product Number	Notes (see page 306)	Approx Shpg Wght (lbs)	List Price	Mult Sym
1/4	1800	56C	68.0	1.15	230/460	SRN4H0.25TC61	LM25131	AH	22	\$440	LJ-1
	1200	56C	73.4	1.15	230/460	SRN6H0.25TC61	LM25135	AH	28	613	LJ-1
1/3	3600	56C	64.0	1.15	230/460	SRN2H0.33TC61	LM25153	AH	20	401	LJ-1
	1800	56C	68.0	1.15	230/460	SRN4H0.33TC61	LM25149	AH	22	467	LJ-1
	1200	56C	75.5	1.15	230/460	SRN6H0.33TC61	LM25164	AH	29	619	LJ-1

Product numbers in red are STOCK items.



TOTALLY ENCLOSED AUTOMOTIVE DUTY • 56 FRAME

230/460 VOLTS • 3-PHASE
FOOT MOUNT & C-FACE
1/4 TO 3 HP

C-FACE WITH FEET (cont'd)

HP	SYN RPM	Frame	FL Nom Eff (%)	SF	Volts	Model Number	Product Number	Notes (see page 306)	Approx Shpg Wght (lbs)	List Price	Mult Sym
1/2	3600	56C	74.0	1.15	230/460	SRN2H0.5TC61	LM25151	AH	23	\$425	LJ-1
	1800	56C	77.0	1.15	230/460	SRN4H0.5TC61	LM25114	AH	26	528	LJ-1
	1200	56C	78.5	1.15	230/460	SRN6H0.5TC61	LM25134	AH	42	678	LJ-1
3/4	3600	56C	80.0	1.15	230/460	SRN2H0.75TC61	LM25119	AH	34	484	LJ-1
	1800	56C	81.5	1.15	230/460	SRN4H0.75TC61	LM25121	AH	30	581	LJ-1
	1200	56C	74.0	1.15	230/460	SRF6H0.75TC61	LM25141		30	544	LJ-1
1	3600	56C	82.5	1.15	230/460	SRN2H1TC61	LM25125	AH	41	538	LJ-1
	1800	56C	77.0	1.15	230/460	SRF4H1TC61	LM25117		29	465	LJ-1
	1200	56C	78.5	1.15	230/460	SRF6H1TC61	LM25150		37	576	LJ-1
1 1/2	3600	56C	80.0	1.15	230/460	SRF2H1.5TC61	LM25163		27	505	LJ-1
	1800	56C	80.0	1.15	230/460	SRF4H1.5TC61	LM25143		33	505	LJ-1
2	3600	56C	80.0	1.15	230/460	SRF2H2TC61	LM25145		32	576	LJ-1
	1800	56C	82.5	1.15	230/460	SRF4H2TC61	LM25156		46	576	LJ-1
3	3600	56C	84.0	1.15	230/460	SRF2H3TC61	LM25146		45	640	LJ-1

C-FACE FOOTLESS

HP	SYN RPM	Frame	FL Nom Eff (%)	SF	Volts	Model Number	Product Number	Notes (see page 306)	Approx Shpg Wght (lbs)	List Price	Mult Sym
1/4	1800	56C	68.0	1.15	230/460	SRN4H0.25TCN61	LM25136	AH	21	\$440	LJ-1
	1200	56C	73.4	1.15	230/460	SRN6H0.25TCN61	LM25138	AH	28	613	LJ-1
1/3	3600	56C	64.0	1.15	230/460	SRN2H0.33TCN61	LM25158	AH	20	401	LJ-1
	1800	56C	68.0	1.15	230/460	SRN4H0.33TCN61	LM25128	AH	21	467	LJ-1
	1200	56C	75.5	1.15	230/460	SRN6H0.33TCN61	LM25155	AH	29	619	LJ-1
1/2	3600	56C	74.0	1.15	230/460	SRN2H0.5TCN61	LM25154	AH	22	425	LJ-1
	1800	56C	77.0	1.15	230/460	SRN4H0.5TCN61	LM24259	AH	26	528	LJ-1
	1200	56C	78.5	1.15	230/460	SRN6H0.5TCN61	LM25122	AH	42	678	LJ-1
3/4	3600	56C	80.0	1.15	230/460	SRN2H0.75TCN61	LM25139	AH	34	483	LJ-1
	1800	56C	81.5	1.15	230/460	SRN4H0.75TCN61	LM24262	AH	30	581	LJ-1
	1200	56C	74.0	1.15	230/460	SRF6H0.75TCN61	LM25137		29	544	LJ-1
1	3600	56C	82.5	1.15	230/460	SRN2H1TCN61	LM25112	AH	41	538	LJ-1
	1800	56C	77.0	1.15	230/460	SRF4H1TCN61	LM24271		28	465	LJ-1
	1200	56C	78.5	1.15	230/460	SRF6H1TCN61	LM25118		37	576	LJ-1
1 1/2	3600	56C	80.0	1.15	230/460	SRF2H1.5TCN61	LM25120		27	504	LJ-1
	1800	56C	80.0	1.15	230/460	SRF4H1.5TCN61	LM25140		32	504	LJ-1
2	3600	56C	80.0	1.15	230/460	SRF2H2TCN61	LM25165		31	576	LJ-1
	1800	56C	82.5	1.15	230/460	SRF4H2TCN61	LM25132		46	576	LJ-1
3	3600	56C	84.0	1.15	230/460	SRF2H3TCN61	LM25157		44	640	LJ-1

Prices and data subject to change without notice.

Product numbers in red are STOCK items.

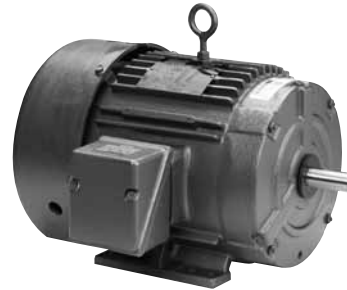
TOTALLY ENCLOSED AUTOMOTIVE DUTY • U-FRAME



460 VOLTS • 3-PHASE
FOOT MOUNT & C-FACE
3/4 TO 100 HP

Features:

- Meets NEMA U-Frame dimensional and performance standards.
- Meets or exceeds General Motors GM-7EH and -7EQ, Ford EM1, and Chrysler NPEM-100 specifications.
- Full cast iron construction – all frame sizes.
- Oversized, cast iron terminal box complete with gaskets provides excellent protection from the environment. Also includes threaded conduit entry hole for easy power connection.
- NEMA Design B Performance.
- Nameplated 1.15 service factor, 40°C ambient and 1.00 service factor, 65°C ambient.
- Continuous Duty
- Inverter-Rated
- Premium Class F Insulation System.
- P efficiency codes comply with the United States' and Canadian efficiency requirements for general-purpose T-Frame industrial motors.
- Variety of configurations available – C-Face, D-Flange, double-shaft and brake.
- Lower noise designs improve plant sound quality.
- UL Recognized Component Listing and CSA Approval.
- Warranty –
(sine-wave power) 42 months from date of manufacture and 36 months from date of installation which ever period expires first.
(inverter power) 30 months from date of manufacture and 24 months from date of installation which ever period expires first.
- Shielded ball bearing for direct coupled applications. Contact your local sales office for belted applications.
- Made in U.S.A.



Applications:

Ideally suited for a wide variety of tough applications found in automotive manufacturing facilities and other industries utilizing U-Frame motors.

Speed ranges (continuous duty) on variable-frequency electronic speed controls (inverters):

P efficiency codes: Constant torque, 6 to 60 Hz
Variable torque, 3 to 60 Hz

G efficiency codes: Constant torque, 15 to 60 Hz
Variable torque, 6 to 60 Hz

Ask about wider speed ranges at intermittent duty.

Lincoln U-Frame motors exceed NEMA MG-1, Section IV, Part 31 spike resistance requirements.

FOOT MOUNT

HP	SYN RPM	Frame	FL Nom Eff (%)	SF	Volts	Model Number	Product Number	Notes (see page 306)	Approx Shpg Wght (lbs)	List Price	Mult Sym
3/4	1200	182	82.5	1.15	460	CCN6P0.75U64	LM21379	AH	108	\$858	LU-1
	1200	182	81.0	1.00	460	CCN6G0.75U64	LM23722	AQ	108	666	LU-1
1	1800	182	87.5	1.15	460	CCN4P1U64	LM21378	AH	108	807	LU-1
	1800	182	86.0	1.00	460	CCN4G1U64	LM23721	AQ	108	625	LU-1
	1200	184	86.5	1.15	460	CCN6P1U64	LM21381	AH	108	985	LU-1
	1200	184	85.0	1.00	460	CCN6G1U64	LM23726	AQ	108	764	LU-1
1 1/2	3600	182	85.5	1.15	460	CCN2P1.5U64	LM21084	AH	108	741	LU-1
	1800	184	88.8	1.15	460	CCN4P1.5U64	LM21380	AH	108	863	LU-1
	1800	184	87.0	1.00	460	CCN4G1.5U64	LM23724	AQ	108	670	LU-1
	1200	184	87.5	1.15	460	CCN6P1.5U64	LM20709	AH	108	1085	LU-1
	1200	184	86.0	1.00	460	CCN6G1.5U64	LM23725	AQ	108	844	LU-1
	2	3600	184	85.5	1.15	460	CCF2P2U64	LM21085	AH	120	817
1800		184	89.5	1.15	460	CCF4P2U64	LM20708	AH	120	909	LU-1
1800		184	88.0	1.00	460	CCF4G2U64	LM23723	AQ	170	706	LU-1
1200		213	87.5	1.15	460	CCF6P2U64	LM21383	AH	170	1203	LU-1
1200		213	86.0	1.00	460	CCF6G2U64	LM23728	AQ	170	1011	LU-1
3		3600	184	87.5	1.15	460	CCF2P3U64	LM20707	AH	120	1007
	1800	213	88.5	1.15	460	CCF4P3U64	LM21382	AH	170	1045	LU-1
	1800	213	87.0	1.00	460	CCF4G3U64	LM23727	AQ	170	886	LU-1
	1200	215	89.5	1.15	460	CCF6P3U64	LM20391	AH	170	1490	LU-1
	1200	215	88.0	1.00	460	CCF6G3U64	LM23730	AQ	170	1159	LU-1

Prices and data subject to change without notice.

Product numbers in red are STOCK items.



TOTALLY ENCLOSED AUTOMOTIVE DUTY • U-FRAME

460 VOLTS • 3-PHASE
FOOT MOUNT & C-FACE
3/4 TO 100 HP

FOOT MOUNT (cont'd)

HP	SYN RPM	Frame	FL Nom Eff (%)	SF	Volts	Model Number	Product Number	Notes (see page 306)	Approx Shpg Wght (lbs)	List Price	Mult Sym
5	3600	213	87.5	1.15	460	CCF2P5U64	LM21086	AH	170	\$1115	LU-1
	1800	215	89.5	1.15	460	CCF4P5U64	LM20392	AH	170	1386	LU-1
	1800	215	88.0	1.00	460	CCF4G5U64	LM23729	AQ	170	1191	LU-1
	1200	254U	90.2	1.15	460	CCF6P5U64	LM21385	AH	260	2183	LU-1
	1200	254U	88.7	1.00	460	CCF6G5U64	LM23732	AQ	260	1938	LU-1
	7 1/2	3600	215	88.5	1.15	460	CCF2P7.5U64	LM20393	AH	170	1343
1800		254U	91.7	1.15	460	CCF4P7.5U64	LM21384	AH	260	1821	LU-1
1800		254U	90.2	1.00	460	CCF4G7.5U64	LM23731	AQ	260	1456	LU-1
1200		256U	91.0	1.15	460	CCF6P7.5U64	LM20389	AH	332	2650	LU-1
1200		256U	89.5	1.00	460	CCF6G7.5U64	LM23734	AQ	332	2117	LU-1
10		3600	254U	89.5	1.15	460	CCF2P10U64	LM21087	AH	260	1607
	1800	256U	91.7	1.15	460	CCF4P10U64	LM20390	AH	260	2212	LU-1
	1800	256U	90.2	1.00	460	CCF4G10U64	LM23733	AQ	260	1769	LU-1
	1200	284U	91.0	1.15	460	CCF6P10U64	LM20028	AH	525	3248	LU-1
	1200	284U	89.5	1.00	460	CCF6G10U64	LM23736	AQ	525	2594	LU-1
	15	3600	256U	91.7	1.15	460	CCF2P15U64	LM20394	AH	260	2047
1800		284U	92.4	1.00	460	CCF4P15U64	LM21665	AH	525	3038	LU-1
1800		284U	90.9	1.00	460	CCF4G15U64	LM23735	AQ	525	2431	LU-1
1200		324U	92.4	1.15	460	CCF6P15U64	LM21387	AH	750	4371	LU-1
1200		324US	92.4	1.15	460	CCF6P15US64	LM21809	AH	750	4371	LU-1
1200		324U	90.9	1.00	460	CCF6G15U64	LM23739	AQ	750	3492	LU-1
20	3600	286U	90.2	1.15	460	CCF2P20U64	LM21088	AH	525	2784	LU-1
	1800	286U	93.0	1.15	460	CCF4P20U64	LM20029	AH	525	3734	LU-1
	1800	286U	91.5	1.00	460	CCF4G20U64	LM23737	AQ	525	2984	LU-1
	1200	326U	92.4	1.15	460	CCF6P20U64	LM20031	AH	750	5341	LU-1
	1200	326US	92.4	1.15	460	CCF6P20US64	LM21812	AH	750	5341	LU-1
	1200	326U	90.9	1.00	460	CCF6G20U64	LM23741	AQ	750	4269	LU-1
25	3600	324U	93.6	1.15	460	CCF2P25U64	LM21089	AH	748	3571	LU-1
	3600	324US	93.6	1.15	460	CCF2P25US64	LM21807	AH	748	3571	LU-1
	1800	324U	92.1	1.15	460	CCF4P25U64	LM21386	AH	748	4672	LU-1
	1800	324US	92.1	1.15	460	CCF4P25US64	LM21808	AH	748	4672	LU-1
	1800	324U	92.6	1.00	460	CCF4G25U64	LM23738	AQ	748	3734	LU-1
	1200	364U	93.0	1.15	460	CCF6P25U64	LM21389	AH	1160	6448	LU-1
30	1200	364US	93.0	1.15	460	CCF6P25US64	LM21814	AH	1160	6449	LU-1
	1200	364U	91.5	1.00	460	CCF6G25U64	LM23743	AQ	1160	5155	LU-1
	3600	326US	91.0	1.15	460	CCF2P30US64	LM21810	AH	748	4307	LU-1
	3600	326U	91.0	1.15	460	CCF2P30U64	LM21090	AH	748	4307	LU-1
	1800	326U	94.1	1.15	460	CCF4P30U64	LM20030	AH	748	5458	LU-1
	1800	326US	94.1	1.15	460	CCF4P30US64	LM21811	AH	748	5459	LU-1
40	1800	326U	92.6	1.00	460	CCF4G30U64	LM23740	AQ	748	4363	LU-1
	1200	365U	93.0	1.15	460	CCF6P30U64	LM19531	AH	1160	7299	LU-1
	1200	365US	93.0	1.15	460	CCF6P30US64	LM21816	AH	1160	7299	LU-1
	1200	365U	91.5	1.00	460	CCF6G30U64	LM23745	AQ	1160	6167	LU-1
	3600	364US	93.6	1.15	460	CCF2P40US64	LM21091	AH	908	5625	LU-1
	3600	364U	93.6	1.15	460	CCF2P40U64	LM21798	AH	908	5625	LU-1
40	1800	364U	94.1	1.15	460	CCF4P40U64	LM21388	AH	977	7197	LU-1
	1800	364US	94.1	1.15	460	CCF4P40US64	LM21813	AH	977	7198	LU-1
	1800	364U	92.6	1.00	460	CCF4G40U64	LM23742	AQ	977	6374	LU-1
	1200	404U	93.6	1.15	460	CCF6P40U64	LM21390	AH	1110	9401	LU-1
	1200	404US	93.6	1.15	460	CCF6P40US64	LM21817	AH	1110	9401	LU-1
	1200	404U	92.1	1.00	460	CCF6G40U64	LM23746	AQ	1110	7512	LU-1

Prices and data subject to change without notice.

Product numbers in red are STOCK items.

TOTALLY ENCLOSED AUTOMOTIVE DUTY • U-FRAME



**460 VOLTS • 3-PHASE
FOOT MOUNT & C-FACE
3/4 TO 100 HP**

FOOT MOUNT (cont'd)

HP	SYN RPM	Frame	FL Nom Eff (%)	SF	Volts	Model Number	Product Number	Notes (see page 306)	Approx Shpg Wght (lbs)	List Price	Mult Sym	
50	3600	365US	94.1	1.15	460	CCF2P50US64	LM21092	AH	980	\$7097	LU-1	
	3600	365U	94.1	1.15	460	CCF2P50U64	LM21799	AH	980	7097	LU-1	
	1800	365U	94.5	1.15	460	CCF4P50U64	LM19530	AH	1063	8445	LU-1	
	1800	365US	94.5	1.15	460	CCF4P50US64	LM21815	AH	1063	8445	LU-1	
	1800	365U	93.0	1.00	460	CCF4G50U64	LM23744	AQ	1063	7559	LU-1	
	1200	405U	94.1	1.15	460	CCF6P50U64	LM19533	AH	1110	10859	LU-1	
	1200	405US	94.1	1.15	460	CCF6P50US64	LM21819	AH	1110	10859	LU-1	
	1200	405U	92.6	1.00	460	CCF6G50U64	LM23748	AQ	1110	8679	LU-1	
	60	3600	405US	94.1	1.15	460	CCF2P60US64	LM19532	AH	1130	8443	LU-1
		3600	405U	94.1	1.15	460	CCF2P60U64	LM21800	AH	1130	8443	LU-1
1800		405U	95.0	1.15	460	CCF4P60U64	LM21391	AH	1110	10484	LU-1	
1800		405US	95.0	1.15	460	CCF4P60US64	LM21818	AH	1110	10484	LU-1	
1800		405U	93.5	1.00	460	CCF4G60U64	LM23747	AQ	1110	8380	LU-1	
1200		444U	94.1	1.15	460	CCF6P60U64	LM21393	AH	1787	12749	LU-1	
1200		444US	94.1	1.15	460	CCF6P60US64	LM21822	AH	1787	12750	LU-1	
1200		444U	92.6	1.00	460	CCF6G60U64	LM23750	AQ	1787	10190	LU-1	
75		3600	444US	94.1	1.15	460	CCF2P75US64	LM21093	AH	1685	11095	LU-1
		3600	444U	94.1	1.15	460	CCF2P75U64	LM21801	AH	1685	11094	LU-1
	1800	444U	95.0	1.15	460	CCF4P75U64	LM21392	AH	1787	12931	LU-1	
	1800	444US	95.0	1.15	460	CCF4P75US64	LM21821	AH	1787	12931	LU-1	
	1800	444U	93.5	1.00	460	CCF4G75U64	LM23749	AQ	1787	10892	LU-1	
	1200	445U	95.0	1.15	460	CCF6P75U64	LM19535	AH	1787	15116	LU-1	
	1200	445US	95.0	1.15	460	CCF6P75US64	LM21824	AH	1787	15118	LU-1	
	1200	445U	93.5	1.00	460	CCF6G75U64	LM23752	AQ	1787	12083	LU-1	
	100	3600	445US	95.4	1.15	460	CCF2P100US64	LM21094	AH	1685	14662	LU-1
		3600	445U	95.4	1.15	460	CCF2P100U64	LM21802	AH	1685	14662	LU-1
1800		445U	95.4	1.15	460	CCF4P100U64	LM19534	AH	1787	16075	LU-1	
1800		445US	95.4	1.15	460	CCF4P100US64	LM21823	AH	1787	16075	LU-1	
1800		445U	93.9	1.00	460	CCF4G100U64	LM23751	AQ	1787	13067	LU-1	

C-FACE WITH FEET

HP	SYN RPM	Frame	FL Nom Eff (%)	SF	Volts	Model Number	Product Number	Notes (see page 306)	Approx Shpg Wght (lbs)	List Price	Mult Sym
3/4	1200	182C	82.5	1.15	460	CCN6P0.75UC64	LM21828	AH	120	\$914	LU-1
	1200	182C	81.0	1.00	460	CCN6G0.75UC64	LM23769	AQ	108	722	LU-1
1	1800	182C	87.5	1.15	460	CCN4P1UC64	LM21827	AH	120	863	LU-1
	1800	182C	86.0	1.00	460	CCN4G1UC64	LM23768	AQ	108	684	LU-1
	1200	184C	86.5	1.15	460	CCN6P1UC64	LM21835	AH	120	1041	LU-1
	1200	184C	85.0	1.00	460	CCN6G1UC64	LM23773	AQ	108	822	LU-1
1 1/2	3600	182C	85.5	1.15	460	CCN2P1.5UC64	LM21826	AH	120	798	LU-1
	1800	184C	88.5	1.15	460	CCN4P1.5UC64	LM21833	AH	120	920	LU-1
	1800	184C	87.0	1.00	460	CCN4G1.5UC64	LM23771	AQ	108	728	LU-1
	1200	184C	87.5	1.15	460	CCN6P1.5UC64	LM21834	AH	120	1144	LU-1
2	1200	184C	86.0	1.00	460	CCN6G1.5UC64	LM23772	AQ	108	902	LU-1
	3600	184C	85.5	1.15	460	CCF2P2UC64	LM21831	AH	132	877	LU-1
	1800	184C	89.5	1.15	460	CCF4P2UC64	LM21832	AH	132	967	LU-1
	1800	184C	88.0	1.00	460	CCF4G2UC64	LM23770	AQ	170	763	LU-1
	1200	213C	87.5	1.15	460	CCF6P2UC64	LM21838	AH	181	1270	LU-1
	1200	213C	86.0	1.00	460	CCF6G2UC64	LM23775	AQ	170	1085	LU-1
3	3600	184C	87.5	1.15	460	CCF2P3UC64	LM21829	AH	132	1048	LU-1
	1800	213C	88.5	1.15	460	CCF4P3UC64	LM21837	AH	181	1112	LU-1
	1800	213C	87.0	1.00	460	CCF4G3UC64	LM23774	AQ	170	943	LU-1
	1200	215C	89.5	1.15	460	CCF6P3UC64	LM21841	AH	181	1557	LU-1
	1200	215C	88.0	1.00	460	CCF6G3UC64	LM23778	AQ	170	1225	LU-1

Prices and data subject to change without notice.

Product numbers in red are STOCK items.



TOTALLY ENCLOSED AUTOMOTIVE DUTY • U-FRAME

460 VOLTS • 3-PHASE
FOOT MOUNT & C-FACE
3/4 TO 100 HP

C-FACE WITH FEET (cont'd)

HP	SYN RPM	Frame	FL Nom Eff (%)	SF	Volts	Model Number	Product Number	Notes (see page 306)	Approx Shpg Wght (lbs)	List Price	Mult Sym
5	3600	213C	87.5	1.15	460	CCF2P5UC64	LM21836	AH	181	\$1171	LU-1
	1800	215C	89.5	1.15	460	CCF4P5UC64	LM21840	AH	181	1453	LU-1
	1800	215C	88.0	1.00	460	CCF4G5UC64	LM23776	AQ	170	1207	LU-1
	1200	254UC	90.2	1.15	460	CCF6P5UC64	LM21844	AH	272	2160	LU-1
	1200	254UC	88.7	1.00	460	CCF6G5UC64	LM23780	AQ	260	1928	LU-1
7 1/2	3600	215C	88.5	1.15	460	CCF2P7.5UC64	LM21839	AH	181	1409	LU-1
	1800	254UC	91.7	1.15	460	CCF4P7.5UC64	LM21843	AH	272	1910	LU-1
	1800	254UC	90.2	1.00	460	CCF4G7.5UC64	LM23779	AQ	260	1543	LU-1
	1200	256UC	91.0	1.15	460	CCF6P7.5UC64	LM21847	AH	344	2738	LU-1
	1200	256UC	89.5	1.00	460	CCF6G7.5UC64	LM23800	AQ	260	2206	LU-1
10	3600	254UC	89.5	1.15	460	CCF2P10UC64	LM21842	AH	272	1694	LU-1
	1800	256UC	91.7	1.15	460	CCF4P10UC64	LM21846	AH	272	2300	LU-1
	1800	256UC	90.2	1.00	460	CCF4G10UC64	LM23799	AQ	260	1857	LU-1
	1200	284UC	91.0	1.15	460	CCF6P10UC64	LM21849	AH	531	3400	LU-1
	1200	284UC	89.5	1.00	460	CCF6G10UC64	LM23802	AQ	525	2749	LU-1
15	3600	256UC	91.7	1.15	460	CCF2P15UC64	LM21845	AH	272	2135	LU-1
	1800	284UC	92.4	1.15	460	CCF4P15UC64	LM21848	AH	531	3193	LU-1
	1800	284UC	90.9	1.00	460	CCF4G15UC64	LM23801	AQ	525	2584	LU-1
	1200	324UC	92.4	1.15	460	CCF6P15UC64	LM21854	AH	757	4627	LU-1
	1200	324USC	92.4	1.15	460	CCF6P15USC64	LM21879	AH	757	4627	LU-1
20	1200	324UC	90.9	1.00	460	CCF6G15UC64	LM23805	AQ	750	3748	LU-1
	3600	286UC	90.2	1.15	460	CCF2P20UC64	LM21850	AH	531	2937	LU-1
	1800	286UC	93.0	1.15	460	CCF4P20UC64	LM21851	AH	531	3886	LU-1
	1800	286UC	91.5	1.00	460	CCF4G20UC64	LM23803	AQ	525	3137	LU-1
	1200	326UC	92.4	1.15	460	CCF6P20UC64	LM21857	AH	757	5597	LU-1
25	1200	326USC	92.4	1.15	460	CCF6P20USC64	LM21882	AH	757	5597	LU-1
	1200	326UC	90.9	1.00	460	CCF6G20UC64	LM23807	AQ	750	4524	LU-1
	3600	324USC	93.6	1.15	460	CCF2P25USC64	LM21893	AH	755	3829	LU-1
	3600	324UC	93.6	1.15	460	CCF2P25UC64	LM21852	AH	755	4395	LU-1
	1800	324UC	94.1	1.15	460	CCF4P25UC64	LM21853	AH	755	4927	LU-1
30	1800	324USC	94.1	1.15	460	CCF4P25USC64	LM21878	AH	755	4928	LU-1
	1800	324UC	92.6	1.00	460	CCF4G25UC64	LM23804	AQ	748	4065	LU-1
	1200	364UC	93.0	1.15	460	CCF6P25UC64	LM21860	AH	1169	6858	LU-1
	1200	364USC	93.0	1.15	460	CCF6P25USC64	LM21885	AH	1169	6859	LU-1
	1200	364UC	91.5	1.00	460	CCF6G25UC64	LM23809	AQ	1160	5565	LU-1
40	3600	326USC	91.0	1.15	460	CCF2P30USC64	LM21880	AH	755	4563	LU-1
	3600	326UC	91.0	1.15	460	CCF2P30UC64	LM21855	AH	755	4563	LU-1
	1800	326UC	94.1	1.15	460	CCF4P30UC64	LM21856	AH	755	5712	LU-1
	1800	326USC	94.1	1.15	460	CCF4P30USC64	LM21881	AH	755	5712	LU-1
	1800	326UC	92.6	1.00	460	CCF4G30UC64	LM23806	AQ	748	4618	LU-1
40	1200	365UC	93.0	1.15	460	CCF6P30UC64	LM21863	AH	1169	7707	LU-1
	1200	365USC	93.0	1.15	460	CCF6P30USC64	LM21888	AH	1169	7707	LU-1
	1200	365UC	91.5	1.00	460	CCF6G30UC64	LM23811	AQ	1160	6244	LU-1
	3600	364USC	93.6	1.15	460	CCF2P40USC64	LM21883	AH	917	6035	LU-1
	3600	364UC	93.6	1.15	460	CCF2P40UC64	LM21858	AH	917	6034	LU-1
40	1800	364UC	94.1	1.15	460	CCF4P40UC64	LM21859	AH	986	7608	LU-1
	1800	364USC	94.1	1.15	460	CCF4P40USC64	LM21884	AH	986	7608	LU-1
	1800	364UC	92.6	1.00	460	CCF4G40UC64	LM23808	AQ	977	6164	LU-1
	1200	404UC	93.6	1.15	460	CCF6P40UC64	LM21864	AH	1123	9889	LU-1
	1200	404USC	93.6	1.15	460	CCF6P40USC64	LM21889	AH	1123	9888	LU-1
1200	404UC	92.1	1.00	460	CCF6G40UC64	LM23812	AQ	1110	7999	LU-1	

Prices and data subject to change without notice.

Product numbers in red are STOCK items.

TOTALLY ENCLOSED AUTOMOTIVE DUTY • U-FRAME



**460 VOLTS • 3-PHASE
FOOT MOUNT & C-FACE
3/4 TO 100 HP**

C-FACE WITH FEET (cont'd)

HP	SYN RPM	Frame	FL Nom Eff (%)	SF	Volts	Model Number	Product Number	Notes (see page 306)	Approx Shpg Wght (lbs)	List Price	Mult Sym	
50	3600	365USC	94.1	1.15	460	CCF2P50USC64	LM21886	AH	989	\$7507	LU-1	
	3600	365UC	94.1	1.15	460	CCF2P50UC64	LM21861	AH	989	7507	LU-1	
	1800	365UC	94.5	1.15	460	CCF4P50UC64	LM21862	AH	1072	8855	LU-1	
	1800	365USC	94.5	1.15	460	CCF4P50USC64	LM21887	AH	1072	8854	LU-1	
	1800	365UC	93.0	1.00	460	CCF4G50UC64	LM23810	AQ	1063	7159	LU-1	
	1200	405UC	94.1	1.15	460	CCF6P50UC64	LM21867	AH	1123	11345	LU-1	
	1200	405USC	94.1	1.15	460	CCF6P50USC64	LM21892	AH	1123	11345	LU-1	
	1200	405UC	92.6	1.00	460	CCF6G50UC64	LM23814	AQ	1110	9166	LU-1	
	60	3600	405USC	94.1	1.15	460	CCF2P60USC64	LM21890	AH	1143	8929	LU-1
		3600	405UC	94.1	1.15	460	CCF2P60UC64	LM21865	AH	1143	8929	LU-1
		1800	405UC	95.0	1.15	460	CCF4P60UC64	LM21866	AH	1123	10971	LU-1
		1800	405USC	95.0	1.15	460	CCF4P60USC64	LM21891	AH	1123	10971	LU-1
1800		405UC	93.5	1.00	460	CCF4G60UC64	LM23813	AQ	1110	8867	LU-1	
1200		444UC	94.1	1.15	460	CCF6P60UC64	LM21870	AH	1810	13352	LU-1	
1200		444USC	94.1	1.15	460	CCF6P60USC64	LM21895	AH	1810	13353	LU-1	
1200		444UC	92.6	1.00	460	CCF6G60UC64	LM23816	AQ	1787	10793	LU-1	
75		3600	444USC	94.1	1.15	460	CCF2P75USC64	LM21877	AH	1708	11698	LU-1
		3600	444UC	94.1	1.15	460	CCF2P75UC64	LM21868	AH	1708	11697	LU-1
		1800	444UC	95.0	1.15	460	CCF4P75UC64	LM21869	AH	1810	13534	LU-1
		1800	444USC	95.0	1.15	460	CCF4P75USC64	LM21894	AH	1810	13534	LU-1
	1800	444UC	93.5	1.00	460	CCF4G75UC64	LM23815	AQ	1787	10940	LU-1	
	1200	445UC	95.0	1.15	460	CCF6P75UC64	LM21873	AH	1810	15720	LU-1	
	1200	445USC	95.0	1.15	460	CCF6P75USC64	LM21898	AH	1810	15720	LU-1	
	1200	445UC	93.5	1.00	460	CCF6G75UC64	LM23818	AQ	1787	12686	LU-1	
	100	3600	445USC	95.4	1.15	460	CCF2P100USC64	LM21896	AH	1708	15265	LU-1
		3600	445UC	95.4	1.15	460	CCF2P100UC64	LM21871	AH	1708	15265	LU-1
		1800	445UC	95.4	1.15	460	CCF4P100UC64	LM21872	AH	1810	16676	LU-1
		1800	445USC	95.4	1.15	460	CCF4P100USC64	LM21897	AH	1810	16676	LU-1
1800		445UC	93.9	1.00	460	CCF4G100UC64	LM23817	AQ	1787	13670	LU-1	

C-FACE FOOTLESS

HP	SYN RPM	Frame	FL Nom Eff (%)	SF	Volts	Model Number	Product Number	Notes (see page 306)	Approx Shpg Wght (lbs)	List Price	Mult Sym
3/4	1200	182C	82.5	1.15	460	CCN6P0.75UCN64	TBD	AH	120	\$914	LU-1
1	1800	182C	87.5	1.15	460	CCN4P1UCN64	LM23781	AH	120	863	LU-1
	1200	184C	86.5	1.15	460	CCN6P1UCN64	LM24037	AH	120	1041	LU-1
1 1/2	3600	182C	85.5	1.15	460	CCN2P1.5UCN64	TBD	AH	120	799	LU-1
	1800	184C	88.5	1.15	460	CCN4P1.5UCN64	LM23783	AH	120	920	LU-1
	1200	184C	87.5	1.15	460	CCN6P1.5UCN64	TBD	AH	120	1144	LU-1
2	3600	184C	85.5	1.15	460	CCF2P2UCN64	LM25496	AH	132	877	LU-1
	1800	184C	89.5	1.15	460	CCF4P2UCN64	LM23782	AH	132	967	LU-1
	1200	213C	87.5	1.15	460	CCF6P2UCN64	TBD	AH	181	1271	LU-1
3	3600	184C	87.5	1.15	460	CCF2P3UCN64	TBD	AH	132	986	LU-1
	1800	213C	88.5	1.15	460	CCF4P3UCN64	LM23854	AH	181	1278	LU-1
	1200	215C	89.5	1.15	460	CCF6P3UCN64	LM25667	AH	181	1557	LU-1
5	3600	213C	87.5	1.15	460	CCF2P5UCN64	LM25203	AH	181	1171	LU-1
	1800	215C	89.5	1.15	460	CCF4P5UCN64	LM24072	AH	181	1585	LU-1
	1200	254UC	90.2	1.15	460	CCF6P5UCN64	TBD	AH	272	2160	LU-1
7 1/2	3600	215C	88.5	1.15	460	CCF2P7.5UCN64	TBD	AH	181	1329	LU-1
	1800	254UC	91.7	1.15	460	CCF4P7.5UCN64	LM23784	AH	272	1910	LU-1
	1200	256UC	91.0	1.15	460	CCF6P7.5UCN64	TBD	AH	344	2738	LU-1

Prices and data subject to change without notice.

Product numbers in red are STOCK items.



TOTALLY ENCLOSED AUTOMOTIVE DUTY • U-FRAME

460 VOLTS • 3-PHASE
FOOT MOUNT & C-FACE
3/4 TO 100 HP

C-FACE FOOTLESS (cont'd)

HP	SYN RPM	Frame	FL Nom Eff (%)	SF	Volts	Model Number	Product Number	Notes (see page 306)	Approx Shpg Wght (lbs)	List Price	Mult Sym
10	3600	254UC	89.5	1.15	460	CCF2P10UCN64	TBD	AH	272	\$1695	LU-1
	1800	256UC	91.7	1.15	460	CCF4P10UCN64	LM23855	AH	272	2300	LU-1
	1200	284UC	91.0	1.15	460	CCF6P10UCN64	TBD	AH	531	3400	LU-1
15	3600	256UC	91.7	1.15	460	CCF2P15UCN64	TBD	AH	272	2134	LU-1
	1800	284UC	92.4	1.15	460	CCF4P15UCN64	LM23856	AH	531	3193	LU-1
	1200	324UC	92.4	1.15	460	CCF6P15UCN64	TBD	AH	757	4627	LU-1
20	3600	286UC	90.2	1.15	460	CCF2P20UCN64	TBD	AH	531	2936	LU-1
	1800	286UC	93.0	1.15	460	CCF4P20UCN64	LM23857	AH	531	3886	LU-1
	1200	326UC	92.4	1.15	460	CCF6P20UCN64	TBD	AH	757	5597	LU-1
25	3600	324USC	93.6	1.15	460	CCF2P25USCN64	TBD	AH	755	3827	LU-1
	1800	324UC	94.1	1.15	460	CCF4P25UCN64	LM23858	AH	755	4927	LU-1
	1200	364UC	93.0	1.15	460	CCF6P25UCN64	TBD	AH	1169	6859	LU-1
30	3600	326USC	91.0	1.15	460	CCF2P30USCN64	TBD	AH	755	4563	LU-1
	1800	326UC	94.1	1.15	460	CCF4P30UCN64	LM23862	AH	755	5713	LU-1
	1200	365UC	93.0	1.15	460	CCF6P30UCN64	TBD	AH	1169	7708	LU-1
40	3600	364USC	93.6	1.15	460	CCF2P40USCN64	TBD	AH	917	6032	LU-1
	1800	364UC	94.1	1.15	460	CCF4P40UCN64	LM23859	AH	986	7608	LU-1
	1200	404UC	93.6	1.15	460	CCF6P40UCN64	TBD	AH	1123	9889	LU-1
50	3600	365USC	94.1	1.15	460	CCF2P50USCN64	TBD	AH	989	7507	LU-1
	1800	365UC	94.5	1.15	460	CCF4P50UCN64	LM23861	AH	1072	8855	LU-1
	1200	405UC	94.1	1.15	460	CCF6P50UCN64	TBD	AH	1123	11346	LU-1
60	3600	405USC	94.1	1.15	460	CCF2P60USCN64	TBD	AH	1143	8929	LU-1
	1800	405UC	95.0	1.15	460	CCF4P60UCN64	LM23860	AH	1123	10971	LU-1
	1200	444UC	94.1	1.15	460	CCF6P60UCN64	TBD	AH	1810	13353	LU-1
75	3600	444USC	94.1	1.15	460	CCF2P75USCN64	TBD	AH	1708	11696	LU-1
	1800	444UC	95.0	1.15	460	CCF4P75UCN64	LM24315	AH	1810	13534	LU-1
	1200	445UC	95.0	1.15	460	CCF6P75UCN64	TBD	AH	1810	15720	LU-1
100	3600	445USC	95.4	1.15	460	CCF2P100USCN64	TBD	AH	1708	15265	LU-1
	1800	445UC	95.4	1.15	460	CCF4P100UCN64	TBD	AH	1810	16677	LU-1

Prices and data subject to change without notice.

Product numbers in red are STOCK items.

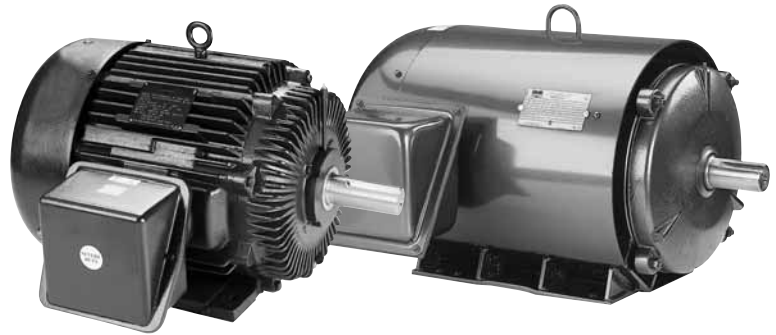
TEFC • CRUSHER DUTY ULTIMATE E1 & E2



460 VOLTS • 3-PHASE
FOOT MOUNT
100 TO 400 HP

Features:

- Drive end roller bearing/Hi-strength steel shaft
- Superior speed-torque curves - most SF models nameplated Design B & C - see "Notes" column. All CCS models labeled Design C.
- Lower your operating costs - choose from two levels of premium efficiency
- Inverter-Rated*
- Continuous Duty
- Construction materials (first letter of Model Nbr):
C – full cast iron construction
S – steel frame and cast iron end brackets
- Substantial weight savings with steel frame designs
- Premium Class F Insulation System
- Across-the-line, Y-Delta (YDS) and Part Winding (PWS) Start capability
- Installation versatility - mount Lincoln Crusher Duty motors horizontal or vertical shaft down
- Over temperature protection – Class F thermostats
- Warranty – (sine-wave power and inverter power*) 18 months from date of manufacture and 12 months from date of installation which ever period expires first.
- Drive-end roller bearing for belted load applications
- 4140 grade high strength shaft material
- Made in U.S.A.



Applications:

Ideally suited for size reduction equipment including rock crushers and pulverizers and other uses in the aggregate and construction industries. Crusher Duty motors are designed for belted (radial) loads only.

FOOT MOUNT

HP	SYN RPM	Frame	FL Nom Eff (%)	SF	Volts	Model Number	Product Number	Notes (see page 306)	Approx Shpg Wght (lbs)	List Price	Mult Sym
100	1800	405T	95.4	1.15	460	SF4B100T64PYRBT1	LM18759	C, M	1002	\$12883	LT-1E
	1800	405T	92.4	1.15	460	CCS4G100T64PYRBT1	LM18755	C	1338	12465	LT-3D
	1800	405T	94.5	1.15	460	SF4P100T64PYRBT1	LM18756	C, M	1002	10852	LT-1D
	1200	444T	95.4	1.15	460	SF6B100T64PYRBT1	LM17733	C, U	1351	17015	LT-1E
	1200	444T	93.0	1.15	460	CCS6G100T64PYRBT1	LM17694	C	1690	16538	LT-3D
	1200	444T	94.1	1.15	460	SF6P100T64PYRBT1	LM17707	U	1351	14351	LT-1D
125	1800	444T	96.2	1.15	460	SF4B125T64PYRBT1	LM17734	C, M	1351	16914	LT-1E
	1800	444T	94.5	1.15	460	CCS4P125T64PYRBT1	LM17695	C	1727	16045	LT-3D
	1800	444T	94.5	1.15	460	SF4P125T64PYRBT1	LM17708	C, M	1351	14086	LT-1D
	1200	445T	95.8	1.15	460	SF6B125T64PYRBT1	LM17735	C, U	1531	20597	LT-1E
	1200	445T	94.1	1.15	460	CCS6P125T64PYRBT1	LM17696	C	1960	19879	LT-3D
	1200	445T	94.1	1.15	460	SF6P125T64PYRBT1	LM17709	C, U	1504	17059	LT-1D
150	1800	445T	96.2	1.15	460	SF4B150T64PYRBT1	LM17736	C, N	1531	19844	LT-1E
	1800	445T	94.1	1.15	460	CCS4G150T64PYRBT1	LM17697	C	2090	18651	LT-3D
	1800	445T	95.0	1.15	460	SF4P150T64PYRBT1	LM17710	C, N	1504	16466	LT-1D
	1200	445T	95.8	1.15	460	SF6B150T64PYRBT1	LM17737	C, U	1531	23692	LT-1E
	1200	445T	94.1	1.15	460	CCS6G150T64PYRBT1	LM17698	C	2458	21909	LT-3D
	1200	445T	95.0	1.15	460	SF6P150T64PYRBT1	LM17711	C	1504	19510	LT-1D
200	1800	445T	96.2	1.15	460	SF4B200T64PYRBT1	LM17738	C, N	1531	23359	LT-1E
	1800	449T	94.5	1.15	460	CC449S4P200T64PYCR1	LM31902	C	2345	22075	LT-3D
	1800	445T	95.0	1.15	460	SF4P200T64PYRBT1	LM17712	C, N	1504	19245	LT-1D
	1200	447T	95.8	1.15	460	SF6B200T64PYRBT1	LM17740	C, U	1812	26872	LT-1E
	1200	447T	94.5	1.15	460	CCS6G200T64PYRBT1	LM17700	C	3087	26344	LT-3D
	1200	447T	95.0	1.15	460	SF6P200T64PYRBT1	LM17713	C	1812	22052	LT-1D

Prices and data subject to change without notice.

Product numbers in red are STOCK items.



TEFC • CRUSHER DUTY ULTIMATE E1 & E2

460 VOLTS • 3-PHASE
FOOT MOUNT
100 TO 400 HP

FOOT MOUNT (cont'd)

HP	SYN RPM	Frame	FL Nom Eff (%)	SF	Volts	Model Number	Product Number	Notes (see page 306)	Approx Shpg Wght (lbs)	List Price	Mult Sym	
250	1800	447T	96.2	1.15	460	SF4B250T64PYRBT1	LM17741	N	1812	\$27541	LT-1E	
	1800	449T	95.4	1.15	460	CC449S4P250T64PYRBT1	LM17701	C	2760	26899	LT-3D	
	1800	447T	95.0	1.15	460	SF4P250T64PYRBT1	LM17714	U	1812	22582	LT-1D	
	1200	449T	95.4	1.00	460	SF6B250T64PYRBT1	LM17742		2185	32896	LT-1E	
	1200	449T	95.4	1.15	460	CCS6P250T64PYRBT1	LM17702	C	3408	32068	LT-3D	
	1200	449T	95.4	1.00	460	SF6P250T64PYRBT1	LM17715	U	2185	26823	LT-1D	
	300	1800	447T	96.2	1.15	460	SF4B300T64PYRBT1	LM17743	N	1812	29885	LT-1E
		1800	449T	95.4	1.15	460	CC449S4P300T64PYCR1	LM31049		TBD	28199	TBD
		1800	449T	95.4	1.15	460	S449F4P300T64PYRBT1	LM18757	U	2185	23937	LT-1D
1800		447T	95.4	1.00	460	SF4P300T64PYRBT1	LM17716		1812	22939	LT-1D	
1200		449T	95.8	1.00	460	SF6B300T64PYRBT1	LM17744		2185	41263	LT-1E	
1200		449T	95.8	1.15	460	CCS6P300T64PYRBT1	LM17704	C	3500	40211	LT-3D	
350		1800	449T	96.2	1.15	460	SF4B350T64PYRBT1	LM17745	U	2185	36244	LT-1E
	1800	449T	95.0	1.15	460	CCS4P350T64PYRBT1	LM17705	C	3218	33147	LT-3D	
	1800	449T	95.4	1.15	460	SF4P350T64PYRBT1	LM17718		2185	23653	LT-1D	
	400	449T	95.4	1.15	460	SF4B400T64PYRBT1	LM17746	D,U	2185	41682	LT-1E	
400	1800	449T	95.8	1.15	460	CCS4P400T64PYRBT1	LM17706	C	3400	38750	LT-3D	
	1800	449T	95.4	1.00	460	SF4P400T64PYRBT1	LM17719		2185	30323	LT-1D	

Prices and data subject to change without notice.

Ask Us About Crusher Duty Motors in 5000 Series frames - up to 600 HP! Some HP sizes also available in 900 RPM.

Product numbers in red are STOCK items.

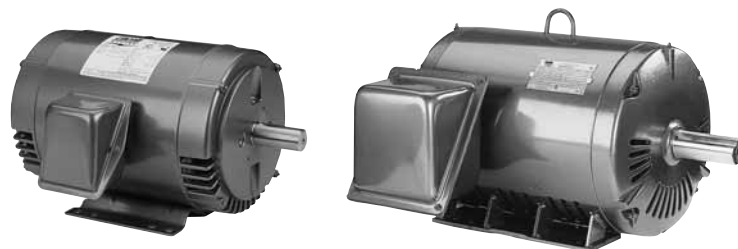
ODP • 575 VOLT MOTORS

3-PHASE
FOOT MOUNT & C-FACE
1/3 TO 450 HP



Features:

- Meets energy efficiency requirements of the United States and Canada.
- Industry leading 1.25 service factor through 200 HP*
- Superior speed-torque curves – some models* are nameplated Design B & C - see "Notes" column.
- Continuous Duty
- Construction materials –
56-256T: steel frame / cast aluminum brackets
284T-449T: steel frame / cast iron brackets
- Premium Insulation Systems –
56 frames: Class B
143T-449T frames: Class F
- Y-delta start capability frames 284T-449T (reference "Y" in Model Number).
- Warranty (sine-wave power & inverter power) –
48 & 56 frames: 18 months from date of manufacture and 12 months from date of installation which ever period expires first.
143T-256T frames: 30 months from date of manufacture and 24 months from date of installation which ever period expires first.
(sine-wave power) –
284T-449T frames: 42 months from date of manufacture and 36 months from date of installation which ever period expires first.
- Shielded ball bearing for direct coupled applications. Contact your local sales office for belted applications.
- Made in the U.S.A.



Applications:

For use where water and dust exposure is moderate. Ideally suited for use on pumps, compressors, blowers, fans and other standard industrial applications.

* P efficiency codes.

FOOT MOUNT

HP	SYN RPM	Frame	FL Nom Eff (%)	SF	Volts	Model Number	Product Number	Notes (see page 306)	Approx Shpg Wght (lbs)	List Price	Mult Sym
1/3	1800	56	65.5	1.15	575	SRD4S0.33T65	LM25054		15	\$255	LT-1A
1/2	3600	56	66.0	1.25	575	SRD2S0.5T65	LM25055		22	257	LT-1A
	1800	56	70.0	1.25	575	SRD4S0.5T65	LM24161		17	294	LT-1A
3/4	3600	56	74.0	1.25	575	SRD2S0.75T65	LM25056		21	301	LT-1A
	1800	56	75.5	1.15	575	SRD4S0.75T65	LM25057		20	326	LT-1A
1	3600	56	74.0	1.25	575	SRD2S1T65	LM25058		24	349	LT-1A
	1800	56	77.0	1.15	575	SRD4S1T65	LM25059		22	339	LT-1A
	1800	143T	82.5	1.25	575	SSD4P1T65	LM24170		34	353	LT-1B
1 1/2	3600	56	80.0	1.15	575	SRD2S1.5T65	LM25060		23	391	LT-1A
	3600	143T	82.5	1.25	575	SSD2P1.5T65	LM25065		28	421	LT-1B
	1800	56H	80.0	1.15	575	SRD4S1.5T65	LM25061		28	359	LT-1A
	1800	145T	84.0	1.25	575	SSD4P1.5T65	LM25066		40	373	LT-1B
2	3600	56H	80.0	1.15	575	SRD2S2T65	LM25062		25	457	LT-1A
	3600	145T	84.0	1.25	575	SSD2P2T65	LM25067		28	496	LT-1B
	1800	56H	81.5	1.15	575	SRD4S2T65	LM25063		36	443	LT-1A
	1800	145T	84.0	1.25	575	SSD4P2T65	LM24124		44	425	LT-1B
3	3600	56H	84.0	1.15	575	SRD2S3T65	LM25064		33	436	LT-1A
	3600	145T	84.0	1.25	575	SSD2P3T65	LM25068		33	455	LT-1B
	1800	182T	86.5	1.25	575	SSD4P3T65	LM24227		83	439	LT-1B
5	3600	182T	86.5	1.25	575	SSD2P5T65	LM25069		88	511	LT-1B
	1800	184T	87.5	1.25	575	SSD4P5T65	LM25070		87	488	LT-1B
7 1/2	3600	184T	87.5	1.15	575	SSD2P7.5T65	LM25071		88	704	LT-1B
	1800	213T	88.5	1.25	575	SSD4P7.5T65	LM24229		121	690	LT-1B
10	3600	213T	88.5	1.25	575	SSD2P10T65	TBD		-	882	LT-1B
	1800	215T	89.5	1.25	575	SSD4P10T65	LM24231	A	138	847	LT-1B

Prices and data subject to change without notice.

Product numbers in red are STOCK items.



ODP • 575 VOLT MOTORS

**3-PHASE
FOOT MOUNT & C-FACE
1/3 TO 450 HP**

FOOT MOUNT (cont'd)

HP	SYN RPM	Frame	FL Nom Eff (%)	SF	Volts	Model Number	Product Number	Notes (see page 306)	Approx Shpg Wght (lbs)	List Price	Multi Sym
15	3600	215T	89.5	1.25	575	SSD2P15T65	TBD		-	\$1179	LT-1B
	1800	254T	91.0	1.25	575	SSD4P15T65	LM24219		215	1225	LT-1B
20	3600	254T	90.2	1.25	575	SSD2P20T65	TBD		245	1484	LT-1B
	1800	256T	91.0	1.25	575	SSD4P20T65	LM24232	A	233	1539	LT-1B
25	3600	256T	91.0	1.25	575	SSD2P25T65	TBD		-	1807	LT-1B
	1800	284T	91.7	1.25	575	CCD4P25T65Y	LM29581		350	2088	LT-1C
30	3600	284TS	91.0	1.25	575	SD2P30TS65Y	LM20081		348	2422	LT-1C
	1800	286T	92.4	1.25	575	CCD4P30T65Y	LM29865		400	2422	LT-1C
40	3600	286TS	91.7	1.25	575	SD2P40TS65Y	LM15599		389	3129	LT-1C
	1800	324T	93.0	1.25	575	SD4P40T65Y	LM14402	C	469	3135	LT-1C
50	3600	324TS	92.4	1.25	575	SD2P50TS65Y	LM14401		469	4267	LT-1C
	1800	326T	93.0	1.25	575	SD4P50T65Y	LM14405	C	522	3540	LT-1C
60	3600	326TS	93.0	1.25	575	SD2P60TS65Y	LM14404		522	4437	LT-1C
	1800	364T	93.6	1.25	575	SD4P60T65Y	LM18378		712	4486	LT-1C
75	3600	364TS	93.0	1.25	575	SD2P75TS65Y	LM18379		712	5589	LT-1C
	1800	365T	94.1	1.25	575	SD4P75T65Y	LM18384		763	4748	LT-1C
100	3600	365TS	93.0	1.25	575	SD2P100TS65Y	LM18385		763	6893	LT-1C
	1800	404T	94.1	1.25	575	SD4P100T65Y	LM18298		882	6005	LT-1D
125	3600	404TS	93.6	1.25	575	SD2P125TS65Y	LM18296		882	8371	LT-1D
	1800	405T	95.4	1.25	575	SD4P125T65Y	LM18306		958	6914	LT-1D
150	3600	405TS	93.6	1.25	575	SD2P150TS65Y	LM18302		958	10010	LT-1D
	1800	444T	95.0	1.15	575	SD4P150T65Y	LM15101	C	1277	9307	LT-1D
200	3600	444TS	94.5	1.25	575	SD2P200TS65Y	LM15100		1277	12283	LT-1D
	1800	445T	95.0	1.15	575	SD4P200T65Y	LM15106	C	1449	10897	LT-1D
250	3600	445TS	94.5	1.15	575	SD2P250TS65Y	LM15103		1438	16380	LT-1D
	1800	445T	95.4	1.15	575	SD4P250T65Y	LM15104		1438	15108	LT-1D
300	3600	447TS	95.0	1.15	575	SD2P300TS65Y	LM15111		1745	19108	LT-1D
	1800	447T	95.4	1.15	575	SD4P300T65Y	LM15061		1745	15950	LT-1D
350	3600	447TS	95.0	1.15	575	SD2P350TS65Y	LM15108		1745	21019	LT-1D
	1800	447T	95.4	1.15	575	SD4P350T65Y	LM15109		1745	18355	LT-1D
400	3600	449TS	95.4	1.15	575	SD2P400TS65Y	LM15116		2112	23775	LT-1D
	1800	449T	95.4	1.15	575	SD4P400T65Y	LM15117		2112	22931	LT-1D
450	3600	449TS	95.8	1.00	575	SD2P450TS65Y	TBD		TBD	TBD	TBD
	1800	449T	95.8	1.00	575	SD4P450T65Y	TBD		TBD	TBD	TBD

♦ Cast iron design contact Lincoln Motors.
Prices and data subject to change without notice.

Product numbers in red are STOCK items.

ODP • 575 VOLT MOTORS

3-PHASE
FOOT MOUNT & C-FACE
1/3 TO 450 HP



C-FACE WITH FEET

HP	SYN RPM	Frame	FL Nom Eff (%)	SF	Volts	Model Number	Product Number	Notes (see page 306)	Approx Shpg Wght (lbs)	List Price	Mult Sym
1/3	1800	56C	67.0	1.35	575	SRD4S0.33TC65	LM25072		15	\$292	LT-1A
1/2	3600	56C	66.0	1.25	575	SRD2S0.5TC65	LM25073		18	294	LT-1A
	1800	56C	68.0	1.15	575	SRD4S0.5TC65	LM25074		17	331	LT-1A
3/4	3600	56C	74.0	1.25	575	SRD2S0.75TC65	LM25075		21	340	LT-1A
	1800	56C	75.5	1.25	575	SRD4S0.75TC65	LM25076		20	365	LT-1A
1	3600	56C	74.0	1.25	575	SRD2S1TC65	LM25077		24	388	LT-1A
	1800	56C	77.0	1.15	575	SRD4S1TC65	LM25078		22	376	LT-1A
	1800	143TC	82.5	1.25	575	SSD4P1TC65	LM25084		34	419	LT-1B
1 1/2	3600	56C	80.0	1.15	575	SRD2S1.5TC65	LM25079		23	428	LT-1A
	1800	56HC	80.0	1.15	575	SRD4S1.5TC65	LM25080		28	396	LT-1A
	1800	145TC	84.0	1.25	575	SSD4P1.5TC65	LM25085		40	440	LT-1B
2	3600	56HC	80.0	1.15	575	SRD2S2TC65	LM25081		25	473	LT-1A
	1800	56C	81.5	1.15	575	SRD4S2TC65	LM25082		36	471	LT-1A
	1800	145TC	84.0	1.25	575	SSD4P2TC65	LM25086		44	471	LT-1B
3	3600	56HC	84.0	1.15	575	SRD2S3TC65	LM25083		33	473	LT-1A
	1800	182TC	86.5	1.25	575	SSD4P3TC65	LM25087		83	552	LT-1B
5	1800	184TC	87.5	1.25	575	SSD4P5TC65	LM25088		93	630	LT-1B
7 1/2	1800	213TC	88.5	1.25	575	SSD4P7.5TC65	LM25089		115	812	LT-1B
10	1800	215TC	89.5	1.25	575	SSD4P10TC65	LM25090	A	138	999	LT-1B
15	1800	254TC	91.0	1.25	575	SSD4P15TC65	LM25091		215	1312	LT-1B
20	1800	256TC	91.0	1.25	575	SSD4P20TC65	LM25092	A	233	1627	LT-1B
25	1800	284TC	91.7	1.25	575	CCD4P25TC65	LM30138		350	2244	LT-1C
30	1800	286TC	92.4	1.25	575	CCD4P30TC65	LM30139		396	2580	LT-1C
40	1800	324TC	93.0	1.25	575	SD4P40TC65Y	LM14556	C	479	3394	LT-1C
50	1800	326TC	93.0	1.25	575	SD4P50TC65Y	LM14559	C	535	3802	LT-1C
60	1800	364TC	93.6	1.25	575	SD4P60TC65Y	LM19713		724	4800	LT-1C
75	1800	365TC	94.1	1.25	575	SD4P75TC65Y	LM19716		771	5177	LT-1C
100	1800	404TC	94.1	1.25	575	SD4P100TC65Y	LM19719		898	6506	LT-1D
125	1800	405TC	94.5	1.25	575	SD4P125TC65Y	LM19722	C	974	7416	LT-1D
150	1800	444TC	95.0	1.15	575	SD4P150TC65Y	LM19725	C	1292	9927	LT-1D
200	1800	445TC	95.0	1.25	575	SD4P200TC65Y	LM19728	C	1470	11504	LT-1D
250	1800	445TC	95.4	1.15	575	SD4P250TC65Y	LM19731		1459	15709	LT-1D
300	1800	447TC	95.4	1.15	575	SD4P300TC65Y	LM19734		1766	16609	LT-1D

Prices and data subject to change without notice.

Product numbers in red are STOCK items.

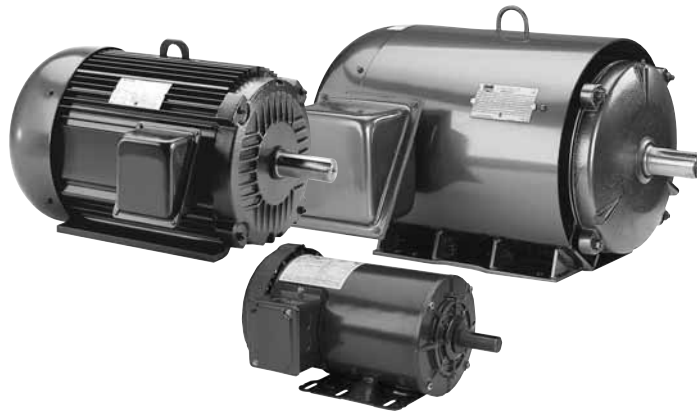


TEFC • 575 VOLT MOTORS

**3-PHASE
FOOT MOUNT & C-FACE
1/3 TO 400 HP**

Features:

- Industry leading 1.25 service factor* through 75 HP
- Superior speed-torque curves – most models* are nameplated Design B & C - see "Notes" column.
- Two levels of premium efficiency* – P efficiency codes meet and B efficiency codes exceed the energy efficiency requirements of the United States and Canada.
- Continuous Duty
- Construction materials (reference first letters of Model Number):
AF, AAF – extruded aluminum frame and cast iron brackets
SF – steel frame / cast iron end brackets
SR, SS – steel frame / cast aluminum brackets
- Premium Insulation Systems –
56 frames: Class B
143T-449T frames: Class F
- Y-delta start capability 30 HP and larger
- Warranty (sine-wave power & inverter power) –
48 & 56 frames: 18 months from date of manufacture and 12 months from date of installation which ever period expires first.
143T-256T frames: 30 months from date of manufacture and 24 months from date of installation which ever period expires first.
(sine-wave power) –
284T-449T frames: 42 months from date of manufacture and 36 months from date of installation which ever period expires first.
- Shielded ball bearing for direct coupled applications. Contact your local sales office for belted applications.
- Made in the U.S.A.



Applications:

For use where exposure to water, dust and corrosives exists. Ideally suited for use on pumps, compressors, fans, blowers, conveyors, machine tools and other industrial applications.



Cast Iron Frame Motors start on pages 207-217 and 252-255.

*P & B efficiency codes.

FOOT MOUNT

HP	SYN RPM	Frame	FL Nom Eff (%)	SF	Volts	Model Number	Product Number	Notes (see page 306)	Approx Shpg Wght (lbs)	List Price	Mult Sym
1/3	1800	56	71.0	1.15	575	SRF4S0.33T65	LM25093		16	\$293	LT-1A
1/2	3600	56	66.0	1.15	575	SRF2S0.5T65	LM25094		22	298	LT-1A
	1800	56	74.0	1.15	575	SRF4S0.5T65	LM24154		22	334	LT-1A
3/4	1200	56	68.0	1.15	575	SRF6S0.5T65	LM24295		24	484	LT-1A
	3600	56	74.0	1.15	575	SRF2S0.75T65	LM24110		23	330	LT-1A
	1800	56	75.5	1.15	575	SRF4S0.75T65	LM25095		30	359	LT-1A
1	1200	56	74.0	1.15	575	SRF6S0.75T65	TBD		28	495	LT-1A
	3600	56	74.0	1.15	575	SRF2S1T65	LM25096		24	388	LT-1A
	1800	56	77.0	1.15	575	SRF4S1T65	LM25097		27	372	LT-1A
	1800	143T	82.5	1.25	575	SSF4P1T65	LM24109		36	417	LT-1B
1 1/2	1200	145T	80.0	1.25	575	SSF6P1T65	TBD		37	543	LT-1B
	900	182T	72.0	1.15	575	AAF8S1T65	LM01655		64	795	LT-1A
	3600	56	80.0	1.15	575	SRF2S1.5T65	LM25098		25	426	LT-1A
	3600	143T	82.5	1.25	575	SSF2P1.5T65	LM25102		34	449	LT-1B
	1800	56H	80.0	1.15	575	SRF4S1.5T65	LM25099		30	395	LT-1A
2	1800	145T	84.0	1.15	575	SSF4P1.5T65	LM24142		48	398	LT-1B
	1200	182T	86.5	1.25	575	AF6B1.5T65	LM17059		83	730	LT-1E
	1200	182T	85.5	1.25	575	AF6P1.5T65	LM16379		83	618	LT-1B
	900	184T	74.0	1.15	575	AF8S1.5T65	LM01405		71	942	LT-1A

Prices and data subject to change without notice.

Product numbers in red are STOCK items.

TEFC • 575 VOLT MOTORS

3-PHASE
FOOT MOUNT & C-FACE
1/3 TO 400 HP



FOOT MOUNT (cont'd)

HP	SYN RPM	Frame	FL Nom Eff (%)	SF	Volts	Model Number	Product Number	Notes (see page 306)	Approx Shpg Wght (lbs)	List Price	Mult Sym
2	3600	56H	80.0	1.15	575	SRF2S2T65	LM25100		39	\$476	LT-1A
	3600	145T	84.0	1.25	575	SSF2P2T65	LM25103		39	518	LT-1B
	1800	56H	82.5	1.15	575	SRF4S2T65	LM25101		40	420	LT-1A
	1800	145T	84.0	1.25	575	SSF4P2T65	LM24108	A	45	420	LT-1B
	1200	184T	87.5	1.25	575	AF6B2T65	LM17062	C	92	812	LT-1E
	1200	184T	86.5	1.25	575	AF6P2T65	LM16382		102	675	LT-1B
	900	213T	75.5	1.15	575	AF8S2T65	LM01750		96	1117	LT-1A
3	3600	182T	87.5	1.25	575	AF2B3T65	LM17063		83	827	LT-1E
	3600	182T	85.5	1.25	575	AF2P3T65	LM16383		72	623	LT-1B
	1800	182T	89.5	1.25	575	AF4B3T65	LM17064		83	697	LT-1E
	1800	182T	87.5	1.25	575	AF4P3T65	LM16384		77	562	LT-1B
	1200	213T	89.5	1.25	575	AF6B3T65	LM17065		127	975	LT-1E
	1200	213T	87.5	1.25	575	AF6P3T65	LM16385		127	917	LT-1B
	900	215T	78.5	1.15	575	AF8S3T65	LM01695		119	1184	LT-1A
5	3600	184T	88.5	1.25	575	AF2B5T65	LM17066		92	917	LT-1E
	3600	184T	87.5	1.25	575	AF2P5T65	LM16386		174	759	LT-1B
	1800	184T	90.2	1.25	575	AF4B5T65	LM17067		87	816	LT-1E
	1800	184T	87.5	1.25	575	AF4P5T65	LM16387		92	649	LT-1B
	1200	215T	89.5	1.25	575	AF6B5T65	LM17068		138	1354	LT-1E
	1200	215T	87.5	1.25	575	AF6P5T65	LM16388		155	1178	LT-1B
	900	254T	81.5	1.15	575	AF8S5T65	LM01662		165	1662	LT-1A
7 1/2	3600	213T	91.0	1.25	575	AF2B7.5T65	LM17069		127	1114	LT-1E
	3600	213T	88.5	1.25	575	AF2P7.5T65	LM16389		143	1206	LT-1B
	1800	213T	91.0	1.25	575	AF4B7.5T65	LM17070		127	1073	LT-1E
	1800	213T	89.5	1.25	575	AF4P7.5T65	LM16391		160	1002	LT-1B
	1200	254T	91.0	1.25	575	AF6B7.5T65	LM17071		209	1854	LT-1E
	1200	254T	89.5	1.25	575	AF6P7.5T65	LM16392		209	1624	LT-1B
	900	256T	82.5	1.15	575	AF8S7.5T65	LM01876		211	1967	LT-1A
10	3600	215T	91.0	1.25	575	AF2B10T65	LM17072		138	1353	LT-1E
	3600	215T	89.5	1.25	575	AF2P10T65	LM16394		138	1424	LT-1B
	1800	215T	91.0	1.25	575	AF4B10T65	LM17073		138	1353	LT-1E
	1800	215T	89.5	1.25	575	AF4P10T65	LM16395		138	1034	LT-1B
	1200	256T	91.0	1.25	575	AF6B10T65	LM17074		236	2338	LT-1E
	1200	256T	89.5	1.25	575	AF6P10T65	LM16397		386	2048	LT-1B
15	3600	254T	91.7	1.25	575	AF2B15T65	LM17075		209	1854	LT-1E
	3600	254T	90.2	1.25	575	AF2P15T65	LM16398		209	1580	LT-1B
	1800	254T	92.4	1.25	575	AF4B15T65	LM17076		209	1662	LT-1E
	1800	254T	91.0	1.25	575	AF4P15T65	LM16400		240	1484	LT-1B
	1200	284T	92.4	1.25	575	AF6B15T65	LM17077	C	363	3131	LT-1E
	1200	284T	90.2	1.25	575	AF6P15T65	LM16401	C	369	2684	LT-1C
20	3600	256T	91.7	1.25	575	AF2B20T65	LM17078		236	2208	LT-1E
	3600	256T	90.2	1.25	575	AF2P20T65	LM16403		290	1875	LT-1B
	1800	256T	93.0	1.25	575	AF4B20T65	LM17079	C	275	2086	LT-1E
	1800	256T	91.0	1.25	575	AF4P20T65	LM15919		236	1759	LT-1B
	1200	286T	93.0	1.25	575	AF6B20T65	LM17080	C	408	4112	LT-1E
	1200	286T	90.2	1.25	575	AF6P20T65	LM16404	C	408	3162	LT-1C
25	3600	284TS	93.0	1.25	575	AF2B25TS65	LM17081		363	3061	LT-1E
	3600	284TS	91.7	1.25	575	AF2P25TS65	LM16406		410	2593	LT-1C
	1800	284T	94.1	1.25	575	AF4B25T65	LM17082	C	363	2762	LT-1E
	1800	284T	92.4	1.25	575	AF4P25T65	LM16407	C	320	2498	LT-1C
	1200	324T	93.0	1.25	575	SF6B25T65Y	LM14409	C	504	4688	LT-1E
	1200	324T	91.7	1.25	575	SF6P25T65Y	LM14397	C	504	4023	LT-1C

Prices and data subject to change without notice.

Product numbers in red are STOCK items.



TEFC • 575 VOLT MOTORS

3-PHASE
FOOT MOUNT & C-FACE
1/3 TO 400 HP

FOOT MOUNT (cont'd)

HP	SYN RPM	Frame	FL Nom Eff (%)	SF	Volts	Model Number	Product Number	Notes (see page 306)	Approx Shpg Wght (lbs)	List Price	Mult Sym
30	3600	286TS	93.6	1.25	575	AF2B30TS65Y	LM20085		485	\$3440	LT-1E
	3600	286TS	91.0	1.25	575	AF2P30TS65Y	LM19594		408	2943	LT-1C
	1800	286T	94.5	1.25	575	AF4B30T65Y	LM20086	C	408	3636	LT-1E
	1800	286T	92.4	1.25	575	AF4P30T65Y	LM19595	C	585	2811	LT-1C
	1200	326T	92.4	1.25	575	SF6B30T65Y	LM14412	C	558	5187	LT-1E
	1200	326T	91.7	1.25	575	SF6P30T65Y	LM14400	C	570	4740	LT-1C
40	3600	324TS	94.1	1.25	575	SF2B40TS65Y	LM14407		504	4350	LT-1E
	3600	324TS	91.7	1.25	575	SF2P40TS65Y	LM14395		504	3762	LT-1C
	1800	324T	94.1	1.25	575	SF4B40T65Y	LM14408	C	504	4183	LT-1E
	1800	324T	93.0	1.15	575	SF4P40T65Y	LM14396	C	504	3618	LT-1C
	1200	364T	94.5	1.25	575	SF6B40T65Y	LM18368	C	765	6084	LT-1E
	1200	364T	93.0	1.15	575	SF6P40T65Y	LM18365		765	5209	LT-1C
50	3600	326TS	94.1	1.25	575	SF2B50TS65Y	LM14410		558	5522	LT-1E
	3600	326TS	92.4	1.25	575	SF2P50TS65Y	LM14398		558	4774	LT-1C
	1800	326T	95.0	1.25	575	SF4B50T65Y	LM14411	C	558	5019	LT-1E
	1800	326T	93.0	1.25	575	SF4P50T65Y	LM14399	C	558	4062	LT-1C
	1200	365T	94.5	1.25	575	SF6B50T65Y	LM18374	C	822	7606	LT-1E
	1200	365T	93.0	1.25	575	SF6P50T65Y	LM18371	C	822	6513	LT-1C
60	3600	364TS	95.0	1.25	575	SF2B60TS65Y	LM18370		765	6847	LT-1E
	3600	364TS	93.0	1.25	575	SF2P60TS65Y	LM18367		765	5861	LT-1C
	1800	364T	95.0	1.25	575	SF4B60T65Y	LM18369	C	765	6693	LT-1E
	1800	364T	93.6	1.25	575	SF4P60T65Y	LM18366		765	5879	LT-1C
	1200	404T	94.5	1.15	575	SF6B60T65Y	LM18289	C	918	8937	LT-1E
	1200	404T	93.6	1.15	575	SF6P60T65Y	LM18288		918	7474	LT-1D
75	3600	365TS	95.0	1.25	575	SF2B75TS65Y	LM18376		822	8822	LT-1E
	3600	365TS	93.0	1.25	575	SF2P75TS65Y	LM18373		822	7555	LT-1C
	1800	365T	95.0	1.15	575	SF4B75T65Y	LM18375	C	822	8746	LT-1E
	1800	365T	94.1	1.25	575	SF4P75T65Y	LM18372		822	7415	LT-1C
	1200	405T	94.5	1.15	575	SF6B75T65Y	LM18293		1002	11600	LT-1E
	1200	405T	93.6	1.15	575	SF6P75T65Y	LM18294		1002	9699	LT-1D
100	3600	405TS	95.8	1.15	575	SF2B100TS65Y	LM18291		1002	12398	LT-1E
	3600	405TS	94.1	1.15	575	SF2P100TS65Y	LM18290		1002	10337	LT-1D
	1800	405T	95.4	1.15	575	SF4B100T65Y	LM18307	C	1002	11027	LT-1E
	1800	405T	94.5	1.15	575	SF4P100T65Y	LM18292		1002	8958	LT-1D
	1200	444T	95.4	1.15	575	SF6B100T65Y	LM15121	C	1351	14825	LT-1E
	1200	444T	94.1	1.15	575	SF6P100T65Y	LM15080		1351	11925	LT-1D
125	3600	444TS	95.8	1.15	575	SF2B125TS65Y	LM15119		1351	15896	LT-1E
	3600	444TS	94.5	1.15	575	SF2P125TS65Y	LM15078		1351	12590	LT-1D
	1800	444T	96.2	1.15	575	SF4B125T65Y	LM15120	C	1351	14723	LT-1E
	1800	444T	94.5	1.15	575	SF4P125T65Y	LM15079	C	1351	11974	LT-1D
	1200	445T	95.8	1.15	575	SF6B125T65Y	LM15127	C	1531	17988	LT-1E
	1200	445T	94.1	1.15	575	SF6P125T65Y	LM15086	C	1504	14245	LT-1D
150	3600	445TS	96.2	1.15	575	SF2B150TS65Y	LM15125		1531	19675	LT-1E
	3600	445TS	94.5	1.15	575	SF2P150TS65Y	LM15084		1504	15582	LT-1D
	1800	445T	96.2	1.15	575	SF4B150T65Y	LM15126	C	1531	17236	LT-1E
	1800	445T	95.0	1.15	575	SF4P150T65Y	LM15085	C	1531	13889	LT-1D
	1200	445T	95.8	1.15	575	SF6B150T65Y	LM15124	C	1531	21082	LT-1E
	1200	445T	95.0	1.15	575	SF6P150T65Y	LM15083	C	1504	16695	LT-1D
200	3600	445TS	96.2	1.15	575	SF2B200TS65Y	LM15122		1531	24932	LT-1E
	3600	445TS	95.0	1.15	575	SF2P200TS65Y	LM15081		1504	19745	LT-1D
	1800	445T	96.2	1.15	575	SF4B200T65Y	LM15123	C	1531	20750	LT-1E
	1800	445T	95.0	1.15	575	SF4P200T65Y	LM15082	C	1531	17177	LT-1D
	1200	447T	95.8	1.15	575	SF6B200T65Y	LM15131	C	1812	24094	LT-1E
	1200	447T	95.0	1.15	575	SF6P200T65Y	LM15091	C	1812	19081	LT-1D

Prices and data subject to change without notice.

Product numbers in red are STOCK items.

TEFC • 575 VOLT MOTORS

3-PHASE
FOOT MOUNT & C-FACE
1/3 TO 400 HP



FOOT MOUNT (cont'd)

HP	SYN RPM	Frame	FL Nom Eff (%)	SF	Volts	Model Number	Product Number	Notes (see page 306)	Approx Shpg Wght (lbs)	List Price	Mult Sym
250	3600	447TS	96.2	1.15	575	SF2B250TS65Y	LM15128		1812	\$30120	LT-1E
	3600	447TS	95.4	1.00	575	SF2P250TS65Y	LM15087		1812	23852	LT-1D
	1800	447T	96.2	1.15	575	SF4B250T65Y	LM15130		1812	24763	LT-1E
	1800	447T	95.0	1.15	575	SF4P250T65Y	LM15092		1812	20503	LT-1D
	1200	449T	95.4	1.00	575	SF6B250T65Y	LM15137		2185	30112	LT-1E
	1200	449T	95.0	1.15	575	SF6P250T65Y	LM15099		2185	23852	LT-1D
300	3600	449TS	96.2	1.15	575	S449F2B300TS65Y	LM15138		2185	37495	LT-1E
	3600	449TS	95.4	1.15	575	S449F2P300TS65Y	LM15098		2185	29152	LT-1D
	1800	447T	96.2	1.15	575	SF4B300T65Y	LM15129		1812	27106	LT-1E
	1800	447T	95.4	1.00	575	SF4P300T65Y	LM15089		1812	21436	LT-1D
350	3600	449TS	95.8	1.15	575	SF2B350TS65Y	LM15135		2185	40829	LT-1E
	3600	449TS	95.4	1.00	575	SF2P350TS65Y	LM15096		2185	32331	LT-1D
	1800	449T	96.2	1.15	575	SF4B350T65Y	LM15136		2185	33466	LT-1E
	1800	449T	95.4	1.15	575	SF4P350T65Y	LM15097		2185	23312	LT-1D
400	3600	449TS	95.8	1.00	575	SF2B400TS65Y	LM15132		2185	49862	LT-1E
	3600	449TS	95.4	1.00	575	SF2P400TS65Y	LM15093		2185	39489	LT-1D
	1800	449T	96.2	1.15	575	SF4B400T65Y	LM15133		2185	38484	LT-1E
	1800	449T	95.4	1.00	575	SF4P400T65Y	LM15094		2185	29363	LT-1D

C-FACE WITH FEET

HP	SYN RPM	Frame	FL Nom Eff (%)	SF	Volts	Model Number	Product Number	Notes (see page 306)	Approx Shpg Wght (lbs)	List Price	Mult Sym
1/3	1800	56C	65.5	1.15	575	SRF4S0.33TC65	LM25042		21	\$330	LT-1A
1/2	3600	56C	66.5	1.15	575	SRF2S0.5TC65	LM25043		22	336	LT-1A
	1800	56C	70.0	1.15	575	SRF4S0.5TC65	LM24355		18	371	LT-1A
3/4	3600	56C	74.0	1.15	575	SRF2S0.75TC65	LM25044		24	368	LT-1A
	1800	56C	75.5	1.15	575	SRF4S0.75TC65	LM24354		21	396	LT-1A
1	3600	56C	74.0	1.15	575	SRF2S1TC65	LM25045		25	425	LT-1A
	1800	56C	77.0	1.15	575	SRF4S1TC65	LM25046		26	410	LT-1A
	1800	143TC	82.5	1.25	575	SSF4P1TC65	LM25051		41	428	LT-1B
1 1/2	3600	143TC	82.5	1.25	575	SSF2P1.5TC65	LM25052		41	488	LT-1B
	3600	56C	80.0	1.15	575	SRF2S1.5TC65	LM25047		41	434	LT-1A
	1800	56HC	80.0	1.15	575	SRF4S1.5TC65	LM25048		31	434	LT-1A
	1800	145TC	84.0	1.15	575	SSF4P1.5TC65	LM24158		49	436	LT-1B
	1200	182TC	86.5	1.25	575	AF6B1.5TC65	LM17175		95	788	LT-1E
	1200	182TC	85.5	1.25	575	AF6P1.5TC65	LM16582		95	676	LT-1B
2	3600	56HC	80.0	1.15	575	SRF2S2TC65	LM25049		31	514	LT-1A
	3600	145TC	84.0	1.25	575	SSF2P2TC65	LM25053		40	557	LT-1B
	1800	56HC	82.5	1.15	575	SRF4S2TC65	LM25050		50	440	LT-1A
	1800	145TC	84.0	1.15	575	SSF4P2TC65	LM24137	A	47	458	LT-1B
	1200	184TC	87.5	1.25	575	AF6B2TC65	LM17179	C	104	870	LT-1E
1200	184TC	86.5	1.25	575	AF6P2TC65	LM16587		104	734	LT-1B	
3	3600	182TC	87.5	1.25	575	AF2B3TC65	LM17180		95	854	LT-1E
	3600	182TC	85.5	1.25	575	AF2P3TC65	LM16589		95	683	LT-1B
	1800	182TC	89.5	1.25	575	AF4B3TC65	LM17181		95	756	LT-1E
	1800	182TC	87.5	1.25	575	AF4P3TC65	LM16590		95	619	LT-1B
	1200	213TC	89.5	1.25	575	AF6B3TC65	LM17182		138	1041	LT-1E
	1200	213TC	87.5	1.25	575	AF6P3TC65	LM16591		138	935	LT-1B

Prices and data subject to change without notice.

Product numbers in red are STOCK items.



TEFC • 575 VOLT MOTORS

3-PHASE
FOOT MOUNT & C-FACE
1/3 TO 400 HP

C-FACE WITH FEET (cont'd)

HP	SYN RPM	Frame	FL Nom Eff (%)	SF	Volts	Model Number	Product Number	Notes (see page 306)	Approx Shpg Wght (lbs)	List Price	Mult Sym
5	3600	184TC	88.5	1.25	575	AF2B5TC65	LM17183		104	\$974	LT-1E
	3600	184TC	87.5	1.25	575	AF2P5TC65	LM16592		104	816	LT-1B
	1800	184TC	89.5	1.25	575	AF4B5TC65	LM17184		104	877	LT-1E
	1800	184TC	87.5	1.25	575	AF4P5TC65	LM16593		104	707	LT-1B
	1200	215TC	89.5	1.25	575	AF6B5TC65	LM17185		149	1420	LT-1E
	1200	215TC	87.5	1.25	575	AF6P5TC65	LM16594		149	1246	LT-1B
7 1/2	3600	213TC	91.0	1.25	575	AF2B7.5TC65	LM17186		138	1180	LT-1E
	3600	213TC	88.5	1.25	575	AF2P7.5TC65	LM16595		175	1032	LT-1B
	1800	213TC	91.0	1.25	575	AF4B7.5TC65	LM17187		138	1138	LT-1E
	1800	213TC	89.5	1.25	575	AF4P7.5TC65	LM16596		127	1019	LT-1B
	1200	254TC	91.0	1.25	575	AF6B7.5TC65	LM17188		221	1943	LT-1E
	1200	254TC	89.5	1.25	575	AF6P7.5TC65	LM16597		221	1713	LT-1B
10	3600	215TC	91.0	1.25	575	AF2B10TC65	LM17189		149	1474	LT-1E
	3600	215TC	89.5	1.25	575	AF2P10TC65	LM16598		210	1347	LT-1B
	1800	215TC	91.0	1.25	575	AF4B10TC65	LM17190		149	1419	LT-1E
	1800	215TC	89.5	1.25	575	AF4P10TC65	LM16599		200	1081	LT-1B
	1200	256TC	91.0	1.25	575	AF6B10TC65	LM17191		248	2428	LT-1E
	1200	256TC	89.5	1.25	575	AF6P10TC65	LM16600		200	2137	LT-1B
15	3600	254TC	91.7	1.25	575	AF2B15TC65	LM17192		221	1944	LT-1E
	3600	254TC	90.2	1.25	575	AF2P15TC65	LM16601		185	1807	LT-1B
	1800	254TC	92.4	1.25	575	AF4B15TC65	LM17193		221	1751	LT-1E
	1800	254TC	91.0	1.25	575	AF4P15TC65	LM16602		260	1572	LT-1B
	1200	284TC	92.4	1.25	575	AF6B15TC65	LM17194	C	370	3287	LT-1E
	1200	284TC	90.2	1.25	575	AF6P15TC65	LM16603	C	500	2839	LT-1C
20	3600	256TC	91.7	1.25	575	AF2B20TC65	LM17195		248	2296	LT-1E
	3600	256TC	90.2	1.25	575	AF2P20TC65	LM16604		248	1963	LT-1B
	1800	256TC	93.0	1.25	575	AF4B20TC65	LM17196	C	248	2174	LT-1E
	1800	256TC	91.0	1.25	575	AF4P20TC65	LM16605		300	1849	LT-1B
	1200	286TC	93.0	1.25	575	AF6B20TC65	LM17197	C	415	4264	LT-1E
	1200	286TC	90.2	1.25	575	AF6P20TC65	LM16606	C	415	3316	LT-1C
25	3600	284TSC	93.0	1.25	575	AF2B25TSC65	LM17198		370	3216	LT-1E
	3600	284TSC	91.0	1.25	575	AF2P25TSC65	LM16607		370	2654	LT-1C
	1800	284TC	94.1	1.25	575	AF4B25TC65	LM17199	C	370	2915	LT-1E
	1800	284TC	92.4	1.25	575	AF4P25TC65	LM16608	C	370	2506	LT-1C
	1200	324TC	93.0	1.25	575	SF6B25TC65Y	LM14563	C	514	4944	LT-1E
	1200	324TC	91.7	1.25	575	SF6P25TC65Y	LM14551	C	500	4279	LT-1C
30	3600	286TSC	93.0	1.25	575	AF2B30TSC65Y	LM20087		415	3593	LT-1E
	3600	286TSC	91.0	1.25	575	AF2P30TSC65Y	LM19596		415	3097	LT-1C
	1800	286TC	94.5	1.25	575	AF4B30TC65Y	LM20088	C	415	3788	LT-1E
	1800	286TC	92.4	1.25	575	AF4P30TC65Y	LM19597	C	415	2965	LT-1C
	1200	326TC	92.4	1.25	575	SF6B30TC65Y	LM14566	C	568	5442	LT-1E
	1200	326TC	91.7	1.25	575	SF6P30TC65Y	LM14554	C	580	4741	LT-1C
40	3600	324TSC	94.1	1.25	575	SF2B40TSC65Y	LM14561		514	4606	LT-1E
	3600	324TSC	91.7	1.25	575	SF2P40TSC65Y	LM14549		514	4017	LT-1C
	1800	324TC	94.1	1.25	575	SF4B40TC65Y	LM14562	C	514	4438	LT-1E
	1800	324TC	93.0	1.25	575	SF4P40TC65Y	LM14550	C	518	3874	LT-1C
	1200	364TC	94.5	1.25	575	SF6B40TC65Y	LM20035	C	777	6495	LT-1E
	1200	364TC	93.0	1.15	575	SF6P40TC65Y	LM19598		777	5618	LT-1C
50	3600	326TSC	94.1	1.25	575	SF2B50TSC65Y	LM14564		568	5777	LT-1E
	3600	326TSC	92.4	1.25	575	SF2P50TSC65Y	LM14552		568	5031	LT-1C
	1800	326TC	95.0	1.25	575	SF4B50TC65Y	LM14565	C	568	5275	LT-1E
	1800	326TC	93.0	1.25	575	SF4P50TC65Y	LM14553	C	568	4326	LT-1C
	1200	365TC	94.5	1.25	575	SF6B50TC65Y	LM20036	C	834	8016	LT-1E
	1200	365TC	93.0	1.25	575	SF6P50TC65Y	LM19599	C	834	6923	LT-1C

Prices and data subject to change without notice.

Product numbers in red are STOCK items.

TEFC • 575 VOLT MOTORS

3-PHASE
FOOT MOUNT & C-FACE
1/3 TO 400 HP



C-FACE WITH FEET (cont'd)

HP	SYN RPM	Frame	FL Nom Eff (%)	SF	Volts	Model Number	Product Number	Notes (see page 306)	Approx Shpg Wght (lbs)	List Price	Mult Sym
60	3600	364TSC	95.0	1.25	575	SF2B60TSC65Y	LM20037		777	\$7256	LT-1E
	3600	364TSC	93.0	1.25	575	SF2P60TSC65Y	LM19600		777	6271	LT-1C
	1800	364TC	95.0	1.25	575	SF4B60TC65Y	LM20038	C	778	7560	LT-1E
	1800	364TC	93.6	1.25	575	SF4P60TC65Y	LM19603		778	6296	LT-1C
	1200	404TC	94.5	1.15	575	SF6B60TC65Y	LM20039	C	934	9423	LT-1E
	1200	404TC	93.6	1.15	575	SF6P60TC65Y	LM19601		934	7960	LT-1D
75	3600	365TSC	95.0	1.25	575	SF2B75TSC65Y	LM20040		834	9233	LT-1E
	3600	365TSC	93.0	1.25	575	SF2P75TSC65Y	LM19602		834	7965	LT-1C
	1800	365TC	95.0	1.15	575	SF4B75TC65Y	LM20041	C	834	9155	LT-1E
	1800	365TC	94.1	1.25	575	SF4P75TC65Y	LM15921		835	7825	LT-1C
	1200	405TC	94.5	1.15	575	SF6B75TC65Y	LM20042		1018	12085	LT-1E
	1200	405TC	93.6	1.15	575	SF6P75TC65Y	LM19604		1018	10186	LT-1D
100	3600	405TSC	95.8	1.15	575	SF2B100TSC65Y	LM20043		1018	12883	LT-1E
	3600	405TSC	93.6	1.15	575	SF2P100TSC65Y	LM19605		1018	10824	LT-1D
	1800	405TC	95.4	1.15	575	SF4B100TC65Y	LM20044	C	1001	11515	LT-1E
	1800	405TC	94.5	1.15	575	SF4P100TC65Y	LM19606	C	1018	9457	LT-1D
	1200	444TC	95.4	1.15	575	SF6B100TC65Y	LM20045	C	1372	15428	LT-1E
	1200	444TC	94.1	1.15	575	SF6P100TC65Y	LM19607		1372	12529	LT-1D
125	3600	444TSC	95.8	1.15	575	SF2B125TSC65Y	LM20046		1372	16499	LT-1E
	3600	444TSC	94.5	1.15	575	SF2P125TSC65Y	LM19608		1372	13192	LT-1D
	1800	444TC	96.2	1.15	575	SF4B125TC65Y	LM20047	C	1372	15328	LT-1E
	1800	444TC	94.5	1.15	575	SF4P125TC65Y	LM19609	C	1372	12593	LT-1D
	1200	445TC	95.8	1.15	575	SF6B125TC65Y	LM20048	C	1552	18591	LT-1E
	1200	445TC	94.1	1.15	575	SF6P125TC65Y	LM19610	C	1525	14846	LT-1D
150	3600	445TSC	96.2	1.15	575	SF2B150TSC65Y	LM20049		1552	20366	LT-1E
	3600	445TSC	94.5	1.15	575	SF2P150TSC65Y	LM19611		1525	16186	LT-1D
	1800	445TC	96.2	1.15	575	SF4B150TC65Y	LM20050	C	1552	17840	LT-1E
	1800	445TC	95.0	1.15	575	SF4P150TC65Y	LM19612	C	1525	14502	LT-1D
	1200	445TC	95.8	1.15	575	SF6B150TC65Y	LM20051	C	1552	21687	LT-1E
	1200	445TC	95.0	1.15	575	SF6P150TC65Y	LM19613	C	1525	17299	LT-1D
200	3600	445TSC	96.2	1.15	575	SF2B200TSC65Y	LM20052		1552	25535	LT-1E
	3600	445TSC	95.0	1.15	575	SF2P200TSC65Y	LM19614		1525	20348	LT-1D
	1800	445TC	96.2	1.15	575	SF4B200TC65Y	LM20053	C	1552	21352	LT-1E
	1800	445TC	95.0	1.15	575	SF4P200TC65Y	LM17685	C	1537	17808	LT-1D
	1200	447TC	95.8	1.15	575	SF6B200TC65Y	LM20054	C	1833	24740	LT-1E
	1200	447TC	95.0	1.15	575	SF6P200TC65Y	LM19615	C	1833	19728	LT-1D
250	3600	447TSC	96.2	1.15	575	SF2B250TSC65Y	LM20055		1833	30764	LT-1E
	3600	447TSC	95.4	1.00	575	SF2P250TSC65Y	LM19616		1833	24498	LT-1D
	1800	447TC	96.2	1.15	575	SF4B250TC65Y	LM20056		1833	25409	LT-1E
	1800	447TC	95.0	1.15	575	SF4P250TC65Y	LM19617		1833	21178	LT-1D
300	3600	449TSC	96.2	1.15	575	S449F2B300TSC65Y	LM20058		2206	38141	LT-1E
	3600	449TSC	95.4	1.15	575	S449F2P300TSC65Y	LM19619		2206	29798	LT-1D
	1800	447TC	96.2	1.15	575	SF4B300TC65Y	LM20059		1833	27753	LT-1E
	1800	447TC	95.4	1.00	575	SF4P300TC65Y	LM19620		1833	22129	LT-1D
350	3600	449TSC	95.8	1.15	575	SF2B350TSC65Y	LM20061		2206	41475	LT-1E
	3600	449TSC	95.4	1.00	575	SF2P350TSC65Y	LM19623		2206	32978	LT-1D
	1800	449TC	96.2	1.15	575	SF4B350TC65Y	LM20062		2206	34112	LT-1E
	1800	449TC	95.4	1.15	575	SF4P350TC65Y	LM19624		2206	22895	LT-1D
400	3600	449TSC	95.8	1.00	575	SF2B400TSC65Y	LM20063		2206	50508	LT-1E
	3600	449TSC	95.4	1.00	575	SF2P400TSC65Y	LM19625		2206	40135	LT-1D
	1800	449TC	96.2	1.15	575	SF4B400TC65Y	LM20064		2206	39131	LT-1E
	1800	449TC	95.4	1.00	575	SF4P400TC65Y	LM19626		2206	30056	LT-1D

Prices and data subject to change without notice.

Product numbers in red are STOCK items.



TEFC • SEVERE DUTY • 575 VOLT MOTORS

3-PHASE FOOT MOUNT & C-FACE 1 TO 400 HP

Features:

- Full cast iron construction
- Industry leading 1.25 service factor
- Two levels of premium efficiency - select P efficiency codes for EPAAct requirements; or choose B efficiency codes to maximize energy savings.
- Continuous Duty
- Premium Class F Insulation System
- Y-delta start capability 30 HP and larger (reference "Y" in Model Number)
- 3 lead version meets Ford EM1-1996 spec
- Thermostats standard on B efficiency codes
- Warranty –
(sine wave power) 42 months from date of manufacture and 36 months from date of installation which ever period expires first.
(inverter power) 30 months from date of manufacture and 24 months from date of installation which ever period expires first.



Applications:

For use in the severe environments found in the process industries such as pulp and paper mills, chemical plants, foundries, textile mills and automotive manufacturing facilities.

FOOT MOUNT

HP	SYN RPM	Frame	FL Nom Eff (%)	SF	Volts	Model Number	Product Number	Notes (see page 306)	Approx Shpg Wght (lbs)	List Price	Mult Sym
1	1800	143T	82.5	1.25	575	CCS4P1T65	LM19034	F	74	\$567	LT-3B
	1200	145T	80.0	1.25	575	CCS6P1T65	LM19035	F	83	685	LT-3B
1 1/2	3600	143T	82.5	1.25	575	CCS2P1.5T65	LM19036	F	74	688	LT-3B
	1800	145T	84.0	1.25	575	CCS4P1.5T65	LM19037	F	83	590	LT-3B
	1200	182T	85.5	1.25	575	CCS6P1.5T65	LM19038	F	140	727	LT-3B
2	3600	145T	84.0	1.25	575	CCS2P2T65	LM19039	F	83	730	LT-3B
	1800	145T	84.0	1.25	575	CCS4P2T65	LM19040	F	72	631	LT-3B
	1200	184T	86.5	1.25	575	CCS6P2T65	LM19041	F	133	902	LT-3B
3	3600	182T	85.5	1.25	575	CCS2P3T65	LM19042	F	140	808	LT-3B
	1800	182T	89.5	1.15	575	CCS4B3T65T5AP25	LM19169		140	878	LT-3E
	1800	182T	87.5	1.25	575	CCS4P3T65	LM19043	F	140	708	LT-3B
	1200	213T	87.5	1.25	575	CCS6P3T65	LM19044	F	188	1017	LT-3B
5	3600	184T	87.5	1.25	575	CCS2P5T65	LM19045	F	133	958	LT-3B
	1800	184T	89.5	1.15	575	CCS4B5T65T5AP25	LM19172		130	960	LT-3E
	1800	184T	87.5	1.25	575	CCS4P5T65	LM19046	F	133	850	LT-3B
	1200	215T	87.5	1.25	575	CCS6P5T65	LM19047	F	205	1390	LT-1B
7 1/2	3600	213T	88.5	1.25	575	CCS2P7.5T65	LM19048	F	188	1083	LT-3B
	1800	213T	91.0	1.15	575	CCS4B7.5T65T5AP25	LM19175	A,	188	1302	LT-3E
	1800	213T	89.5	1.25	575	CCS4P7.5T65	LM19049	F	188	1101	LT-3B
	1200	254T	89.5	1.25	575	CCS6P7.5T65	LM19050	F	335	1882	LT-3B
10	3600	215T	89.5	1.25	575	CCS2P10T65	LM19051	F	205	1348	LT-3B
	1800	215T	91.0	1.15	575	CCS4B10T65T5AP25	LM19178		205	1568	LT-3E
	1800	215T	89.5	1.15	575	CCS4P10T65	LM19052	F	205	1382	LT-3B
	1200	256T	89.5	1.25	575	CCS6P10T65	LM19053	F	378	2321	LT-3B
15	3600	254T	90.2	1.25	575	CCS2P15T65	LM19054	F	335	1784	LT-3B
	1800	254T	92.4	1.15	575	CCS4B15T65T5AP25	LM19181		335	2066	LT-3E
	1800	254T	91.0	1.25	575	CCS4P15T65	LM19055	F	335	1731	LT-3B
	1200	284T	90.2	1.25	575	CCS6P15T65	LM19056	F	531	3225	LT-3C

Prices and data subject to change without notice.

Product numbers in red are STOCK items.

TEFC • SEVERE DUTY • 575 VOLT MOTORS

3-PHASE
FOOT MOUNT & C-FACE
1 TO 400 HP



FOOT MOUNT (cont'd)

HP	SYN RPM	Frame	FL Nom Eff (%)	SF	Volts	Model Number	Product Number	Notes (see page 306)	Approx Shpg Wght (lbs)	List Price	Mult Sym
20	3600	256T	90.2	1.15	575	CCS2P20T65	LM19057	F	378	\$2189	LT-3B
	1800	256T	93.0	1.15	575	CCS4B20T65YT5AP25	LM19184		378	2575	LT-3E
	1800	256T	91.0	1.15	575	CCS4P20T65	LM19058	F	378	2232	LT-3B
	1200	286T	90.2	1.25	575	CCS6P20T65	LM19059	F	571	3781	LT-3C
25	3600	284TS	91.0	1.25	575	CCS2P25TS65	LM19060	F	531	2985	LT-3C
	1800	284T	94.1	1.15	575	CCS4B25T65YT5AP25	LM19187	A	531	3140	LT-3E
	1800	284T	92.4	1.25	575	CCS4P25T65	LM19061	F	531	2628	LT-3C
	1200	324T	91.7	1.25	575	CCS6P25T65	LM17572	F	701	4665	LT-3C
30	3600	286TS	91.0	1.25	575	CCS2P30TS65Y	LM19703		571	3541	LT-3C
	1800	286T	94.5	1.15	575	CCS4B30T65YT5AP25	LM19877	A	571	3703	LT-3E
	1800	286T	92.4	1.25	575	CCS4P30T65Y	LM19704		571	3104	LT-3C
	1200	326T	91.7	1.25	575	CCS6P30T65Y	LM19705		835	5387	LT-3C
40	3600	324TS	91.7	1.25	575	CCS2P40TS65Y	LM19706		701	4476	LT-3C
	1800	324T	94.1	1.15	575	CCS4B40T65YT5AP25	LM19880		748	4769	LT-3E
	1800	324T	93.0	1.25	575	CCS4P40T65Y	LM19707		701	4100	LT-3C
	1200	364T	93.0	1.25	575	CCS6P40T65Y	LM15493		1053	6872	LT-3C
50	3600	326TS	92.4	1.25	575	CCS2P50TS65Y	LM19708		835	5752	LT-3C
	1800	326T	95.0	1.15	575	CCS4B50T65YT5AP25	LM19882		835	5731	LT-3E
	1800	326T	93.0	1.25	575	CCS4P50T65Y	LM19709		835	4774	LT-3C
	1200	365T	93.0	1.25	575	CCS6P50T65Y	LM15496		1132	8124	LT-3C
60	3600	364TS	93.0	1.25	575	CCS2P60TS65Y	LM15491		1053	7333	LT-3C
	1800	364T	95.0	1.15	575	CCS4B60T65YT5AP25	LM15498		1053	8722	LT-3E
	1800	364T	93.6	1.25	575	CCS4P60T65Y	LM15492		1053	7718	LT-3C
	1200	404T	93.6	1.15	575	CCS6P60T65Y	LM15443		1326	9308	LT-3D
75	3600	365TS	93.0	1.25	575	CCS2P75TS65Y	LM15494		1132	9295	LT-3C
	1800	365T	95.4	1.15	575	CCS4B75T65YT5AP25	LM15501		1132	10417	LT-3E
	1800	365T	94.1	1.15	575	CCS4P75T65Y	LM15495		1132	8757	LT-3C
	1200	405T	93.6	1.15	575	CCS6P75T65Y	LM15446		1332	11355	LT-3D
100	3600	405TS	93.6	1.15	575	CCS2P100TS65Y	LM15444		1376	12339	LT-3D
	1800	405T	95.4	1.15	575	CCS4B100T65YT5AP25	LM15449		1376	13176	LT-3E
	1800	405T	94.5	1.15	575	CCS4P100T65Y	LM15445		1305	10592	LT-3D
	1200	444T	94.1	1.15	575	CCS6P100T65Y	LM17875		1983	14561	LT-3D
125	3600	444TS	94.5	1.15	575	CCS2P125TS65Y	LM17873		1983	15214	LT-3D
	1800	444T	94.5	1.15	575	CCS4P125T65Y	LM17874		1983	13487	LT-3D
	1200	445T	94.1	1.15	575	CCS6P125T65Y	LM17881		2110	17530	LT-3D
150	3600	445TS	94.5	1.15	575	CCS2P150TS65Y	LM17877		2110	18477	LT-3D
	1800	445T	95.0	1.15	575	CCS4P150T65Y	LM17879		2110	17510	LT-3D
	1200	445T	95.0	1.15	575	CCS6P150T65Y	LM17880		2325	19947	LT-3D
200	3600	445TS	95.0	1.15	575	CCS2P200TS65Y	LM17876		2110	23391	LT-3D
	1800	445T	95.0	1.15	575	CCS4P200T65Y	LM17878		2110	19921	LT-3D
	1200	447T	95.0	1.15	575	CCS6P200T65Y	LM17885		2572	23825	LT-3D
250	3600	447TS	95.4	1.00	575	CCS2P250TS65Y	LM17882		2572	29700	LT-3D
	1800	447T	95.0	1.15	575	CCS4P250T65Y	LM17884		2572	24411	LT-3D
	1200	449T	95.0	1.00	575	CCS6P250T65Y	LM17892		2883	29700	LT-3D
300	3600	449TS	95.4	1.15	575	CC449S2P300TS65Y	LM17888		2883	36302	LT-3D
	1800	447T	95.4	1.00	575	CCS4P300T65Y	LM17883		2572	26160	LT-3D
	1200	449T	95.0	1.00	575	CCS6P300T65Y	LM17891		2883	38007	LT-3D
350	3600	449TS	95.4	1.00	575	CCS2P350TS65Y	LM17887		2883	40261	LT-3D
	1800	449T	95.4	1.15	575	CCS4P350T65Y	LM17890		2883	28957	LT-3D
400	1800	449T	95.4	1.00	575	CCS4P400T65Y	LM17889		2883	36926	LT-3D

Prices and data subject to change without notice.

Product numbers in red are STOCK items.



TEFC • SEVERE DUTY • 575 VOLT MOTORS

**3-PHASE
FOOT MOUNT & C-FACE
1 TO 400 HP**

C-FACE WITH FEET

HP	SYN RPM	Frame	FL Nom Eff (%)	SF	Volts	Model Number	Product Number	Notes (see page 306)	Approx Shpg Wght (lbs)	List Price	Mult Sym
1	1800	143TC	82.5	1.25	575	CCS4P1TC65	LM19883	F	62	\$607	LT-3B
	1200	145TC	80.0	1.25	575	CCS6P1TC65	LM19884	F	72	723	LT-3B
1 1/2	3600	143TC	82.5	1.25	575	CCS2P1.5TC65	LM19885	F	80	726	LT-3B
	1800	145TC	84.0	1.25	575	CCS4P1.5TC65	LM19886	F	89	629	LT-3B
	1200	182TC	85.5	1.25	575	CCS6P1.5TC65	LM19887	F	152	785	LT-3B
2	3600	145TC	84.0	1.25	575	CCS2P2TC65	LM19888	F	89	769	LT-3B
	1800	145TC	84.0	1.25	575	CCS4P2TC65	LM19889	F	89	669	LT-3B
	1200	184TC	86.5	1.25	575	CCS6P2TC65	LM19890	F	145	852	LT-3B
3	3600	182TC	85.5	1.25	575	CCS2P3TC65	LM19891	F	152	865	LT-3B
	1800	182TC	87.5	1.25	575	CCS4P3TC65	LM19892	F	152	765	LT-3B
	1200	213TC	87.5	1.25	575	CCS6P3TC65	LM19893	F	199	1083	LT-3B
5	3600	184TC	87.5	1.25	575	CCS2P5TC65	LM19894	F	145	1017	LT-3B
	1800	184TC	87.5	1.25	575	CCS4P5TC65	LM19895	F	145	901	LT-3B
	1200	215TC	87.5	1.25	575	CCS6P5TC65	LM19896	F	216	1456	LT-3B
7 1/2	3600	213TC	88.5	1.25	575	CCS2P7.5TC65	LM19897	F	199	1150	LT-3B
	1800	213TC	89.5	1.25	575	CCS4P7.5TC65	LM19898	F	199	1248	LT-3B
	1200	254TC	89.5	1.25	575	CCS6P7.5TC65	LM19899	F	347	1981	LT-3B
10	3600	215TC	89.5	1.25	575	CCS2P10TC65	LM19900	F	216	1415	LT-3B
	1800	215TC	89.5	1.15	575	CCS4P10TC65	LM19901	F	216	1451	LT-3B
	1200	256TC	89.5	1.25	575	CCS6P10TC65	LM19902	F	390	2409	LT-3B
15	3600	254TC	90.2	1.25	575	CCS2P15TC65	LM19903	F	347	1872	LT-3B
	1800	254TC	91.0	1.25	575	CCS4P15TC65	LM19904	F	347	1819	LT-3B
	1200	284TC	90.2	1.25	575	CCS6P15TC65	LM19905	F	537	3377	LT-3C
20	3600	256TC	90.2	1.15	575	CCS2P20TC65	LM19906	F	390	2277	LT-3B
	1800	256TC	91.0	1.15	575	CCS4P20TC65	LM19907	F	390	2319	LT-3B
	1200	286TC	90.2	1.25	575	CCS6P20TC65	LM19908	F	577	3933	LT-3C
25	3600	284TSC	91.0	1.25	575	CCS2P25TSC65	LM19909	F	537	3139	LT-3C
	1800	284TC	92.4	1.25	575	CCS4P25TC65	LM19910	F	537	2781	LT-3C
	1200	324TC	91.7	1.25	575	CCS6P25TC65	LM19911	F	708	4921	LT-3C
30	3600	286TSC	91.0	1.25	575	CCS2P30TSC65Y	LM19912		577	3694	LT-3C
	1800	286TC	92.4	1.25	575	CCS4P30TC65Y	LM19913		577	3398	LT-3C
	1200	326TC	91.7	1.25	575	CCS6P30TC65Y	LM19914		842	5643	LT-3C
40	3600	324TSC	91.7	1.25	575	CCS2P40TSC65Y	LM19915		708	4732	LT-3C
	1800	324TC	93.0	1.25	575	CCS4P40TC65Y	LM19916		708	4354	LT-3C
	1200	364TC	93.0	1.25	575	CCS6P40TC65Y	LM19917		1062	7282	LT-3C
50	3600	326TSC	92.4	1.25	575	CCS2P50TSC65Y	LM19918		842	6006	LT-3C
	1800	326TC	93.0	1.25	575	CCS4P50TC65Y	LM19919		842	5031	LT-3C
	1200	365TC	93.0	1.25	575	CCS6P50TC65Y	LM19920		1141	8535	LT-3C
60	3600	364TSC	93.0	1.25	575	CCS2P60TSC65Y	LM19921		1062	7742	LT-3C
	1800	364TC	93.6	1.25	575	CCS4P60TC65Y	LM19922		1062	7574	LT-3C
	1200	404TC	93.6	1.15	575	CCS6P60TC65Y	LM19923		1339	9166	LT-3D
75	3600	365TSC	93.0	1.25	575	CCS2P75TSC65Y	LM19924		1141	9794	LT-3C
	1800	365TC	94.1	1.15	575	CCS4P75TC65Y	LM19925		1141	9705	LT-3C
	1200	405TC	93.6	1.15	575	CCS6P75TC65Y	LM19926		1389	11841	LT-3D

Prices and data subject to change without notice.

Product numbers in red are STOCK items.

TEFC • SEVERE DUTY • 575 VOLT MOTORS

3-PHASE
FOOT MOUNT & C-FACE
1 TO 400 HP



C-FACE WITH FEET (cont'd)

HP	SYN RPM	Frame	FL Nom Eff (%)	SF	Volts	Model Number	Product Number	Notes (see page 306)	Approx Shpg Wght (lbs)	List Price	Mult Sym
100	3600	405TSC	93.6	1.15	575	CCS2P100TSC65Y	LM19927		1389	\$12826	LT-3D
	1800	405TC	94.5	1.15	575	CCS4P100TC65Y	LM19928		1389	11078	LT-3D
	1200	444TC	94.1	1.15	575	CCS6P100TC65Y	LM19929		2006	15165	LT-3D
125	3600	444TSC	94.5	1.15	575	CCS2P125TSC65Y	LM19930		2006	15817	LT-3D
	1800	444TC	94.5	1.15	575	CCS4P125TC65Y	LM19931		2006	14091	LT-3D
	1200	445TC	94.1	1.15	575	CCS6P125TC65Y	LM19932		2133	18133	LT-3D
150	3600	445TSC	94.5	1.15	575	CCS2P150TSC65Y	LM19933		2133	19080	LT-3D
	1800	445TC	95.0	1.15	575	CCS4P150TC65Y	LM19934		2133	17006	LT-3D
	1200	445TC	95.0	1.15	575	CCS6P150TC65Y	LM19935		2133	20551	LT-3D
200	3600	445TSC	95.0	1.15	575	CCS2P200TSC65Y	LM19936		2133	23994	LT-3D
	1800	445TC	95.0	1.15	575	CCS4P200TC65Y	LM19937		2133	20524	LT-3D
	1200	447TC	95.0	1.15	575	CCS6P200TC65Y	LM19938		2595	24470	LT-3D
250	3600	447TSC	95.4	1.00	575	CCS2P250TSC65Y	LM19939		2595	30346	LT-3D
	1800	447TC	95.0	1.15	575	CCS4P250TC65Y	LM19940		2595	25056	LT-3D
	1200	449TC	95.0	1.00	575	CCS6P250TC65Y	LM19941		2906	30346	LT-3D
300	3600	449TSC	95.4	1.15	575	CC449S2P300TSC65Y	LM19942		2906	36948	LT-3D
	1800	447TC	95.4	1.00	575	CCS4P300TC65Y	LM19943		2595	26806	LT-3D
	1200	449TC	95.0	1.00	575	CCS6P300TC65Y	LM19944		2906	38953	LT-3D
350	3600	449TSC	95.4	1.00	575	CCS2P350TSC65Y	LM19945		2906	40906	LT-3D
	1800	449TC	95.4	1.15	575	CCS4P350TC65Y	LM19946		2906	29604	LT-3D
400	3600	449TSC	95.4	1.00	575	CCS2P400TSC65Y	LM19947		2906	49818	LT-3D
	1800	449TC	95.4	1.00	575	CCS4P400TC65Y	LM19948		2906	37573	LT-3D

Prices and data subject to change without notice.

Product numbers in red are STOCK items.



Signature Series **TEFC**
FARM DUTY/AGRICULTURE
 115, 208 & 230 VOLTS • 1-PHASE
 FOOT MOUNT • OVERLOAD PROTECTION
 1/3 TO 10 HP

Features:

- Two designs to choose from: High Torque (HT) and Extra High Torque (EHT)
- Fully gasketed construction and shaft slingers for operation in dirty environments
- Manual reset thermal protector
- Condensate drains
- Continuous duty
- Warranty: 18 months from date of manufacture and 12 months from date of installation which ever period expires first.
- Made in U.S.A.



Applications:

High Torque – HT

Feeders, conveyors, fans, compressors, spray washers, grinders, elevators, pumps and other demanding agricultural applications that require high starting torque.

Extra High Torque – EHT

Silo unloaders, barn cleaners, bunk feeders, conveyors, and other machinery requiring extra high starting torque in demanding farm duty environments. Motors have 300% and greater starting torque.

HIGH TORQUE - HT

HP	SYN RPM	Frame	SF	Volts	Model Number	Product Number	Notes (see page 306)	Approx Shpg Wght (lbs)	List Price	Mult Sym
1/3	1800	56	1.15	115/208-230	SRF4S0.33T1C6028AP7TP1	LM24789	ML	24	\$341	AG-1
1/2	1800	56	1.15	115/208-230	SRF4S0.5T1C6028AP7TP1	LM24790	ML	25	400	AG-1
3/4	1800	56	1.15	115/208-230	SRF4S0.75T1C6028AP7TP1	LM24791	ML	30	471	AG-1
1	1800	56	1.15	115/208-230	SRF4S1T1C6028AP7TP1	LM24792	ML	32	537	AG-1
	1800	143T	1.15	115/208-230	SSF4S1T1C6028AP7TP1	LM24793	ML	35	550	AG-1
1 1/2	1800	56H*	1.15	115/208-230	SRF4S1.5T1B6028AP7TP1	LM24794	ML	41	607	AG-1
	1800	145T	1.15	115/208-230	SSF4S1.5T1B6028AP7TP1	LM24795	ML	42	607	AG-1
2	1800	182T	1.15	115/230	SS182F4S2T1C6027AP7TP1	LM24796	ML, D - 131514	64	863	AG-1
3	1800	184T	1.15	230	SS184F4S3T1C66AP7TP1	LM24797	ML, D - 131542	92	930	AG-1
5	1800	184T	1.15	230	SSF4S5T1B66AP7TP1	LM24798	ML, D - 131543	90	1216	AG-1
7 1/2	1800	215T	1.15	230	SS215F4S7.5T1B66AP7TP1	LM24799	ML	130	1500	AG-1

EXTRA HIGH TORQUE - EHT

HP	SYN RPM	Frame	SF	Volts	Model Number	Product Number	Notes (see page 306)	Approx Shpg Wght (lbs)	List Price	Mult Sym
2	1800	182TZ	1.15	115/230	SS182F4S2TZ1C6027AP8TP1-1	LM24800	ML, D - 131541	67	\$852	AG-1
3	1800	184T	1.15	230	SS184F4S3T1C66AP8TP1	LM24801	ML, D - 131542	85	976	AG-1
5	1800	184T	1.15	208-230	SSF4S5T1B6008AP8TP1	LM24802	ML	125	1173	AG-1
	1800	213TZ	1.15	230	SS213F4S5TZ1B66AP8TP1-1	LM24803	ML	126	1458	AG-1
7 1/2	1800	215TZ	1.15	230	SS215F4S7.5TZ1B66AP8TP1-1	LM24804	ML	125	1589	AG-1
10	1800	215T	1.00	230	SSF4S10T1B66AP8TP1	LM24805	ML	150	1791	AG-1

*56H, 143T and 145T Combination Base with 12 mounting holes.

Prices and data subject to change without notice.

Product numbers in red are STOCK items.

Signature Series **AGRICULTURE FAN**

**115/230 VOLTS • 1-PHASE
FOOT MOUNT, BELT DRIVE • OVERLOAD PROTECTION
1/2 TO 1 HP**



Features:

- Capacitor start/capacitor run design for higher efficiency and reduced current draw
- Ball bearings
- Continuous duty
- Fully gasketed
- Warranty: 18 months from date of manufacture and 12 months from date of installation which ever period expires first.
- Made in U.S.A.



Applications:

Designed for demanding agricultural belt drive fan applications such as poultry house fans and barn exhaust fans. The 1 HP model is totally enclosed, air over and must be mounted in the airstream for proper cooling.

HP	SYN RPM	Frame	SF	Volts	Model Number	Product Number	Notes (see page 306)	Approx Shpg Wght (lbs)	List Price	Mult Sym
1/2	1800	56Z	1.00	115/230	SRN4S0.5TZ1B6027TP2-1	LM24776	AT	21	\$502	AG-1
1	1800	56Z	1.00	115/230	SRA4S1TZ1B6027TP2-1	LM24777	AT	32	673	AG-1

Signature Series **AGRICULTURE FAN**

**115/230 VOLTS • 1-PHASE, PSC VARIABLE SPEED
RESILIENT BASE-THRU BOLT • OVERLOAD PROTECTION
1/4 TO 1/2 HP**



Features:

- TEAO, continuous duty
- Extended thru bolts
- 1/2" dia. x 2-1/2" long shaft with two flats, 90° apart
- Fully gasketed
- Warranty: 18 months from date of manufacture and 12 months from date of installation which ever period expires first.
- Made in U.S.A.



Applications:

Designed for demanding agricultural fan applications such as poultry house and barn exhaust fans. Must be mounted in the airstream for proper cooling.

Variable speed capabilities when used with a single-phase speed control unit – NOT supplied by Lincoln. AP11 models are designed for lower temperature rise throughout a greater speed range.

HP	Speed (RPM)	Frame	SF	Volts	Model Number	Product Number	Notes (see page 306)	Approx Shpg Wght (lbs)	List Price	Mult Sym
1/4	1625	48Z	1.00	115/230	SPA4S0.25TZRY1A6027AP11-1	LM24445	AT	20	\$420	AG-1
	1625	48Z	1.00	115/230	SPA4S0.25TZRY1A6027AP10-1	LM24447	AT	17	325	AG-1
	1075	48Z	1.00	115/230	SPA6S0.25TZRY1A6027AP10-1	LM24442	AT	14	388	AG-1
1/3	1625	48Z	1.00	115/230	SPA4S0.33TZRY1A6027AP11-1	LM24450	AT	23	461	AG-1
	1625	48Z	1.00	115/230	SPA4S0.33TZRY1A6027AP10-1	LM24448	AT	17	356	AG-1
	1075	48Z	1.00	115/230	SPA6S0.33TZRY1A6027AP10-1	LM24443	AT	15	444	AG-1
1/2	1625	48Z	1.00	115/230	SPA4S0.5TZRY1A6027AP11-1	LM24446	AT	23	511	AG-1
	1625	48Z	1.00	115/230	SPA4S0.5TZRY1A6027AP10-1	LM24449	AT	21	395	AG-1
	1075	48Z	1.00	115/230	SPA6S0.5TZRY1A6027AP10-1	LM24444	AT	19	511	AG-1

Prices and data subject to change without notice.

Product numbers in red are STOCK items.



Signature Series **AGRICULTURE FAN**

**115 VOLTS • 1-PHASE
DIRECT DRIVE-THRU BOLT • OVERLOAD PROTECTION
1/4 TO 1/3 HP**

Features:

- Totally Enclosed
- 1/2" extended thru-bolts
- Shafts:
48Y frame – 1/2" dia. x 1-1/2" long shaft with flat
48YZ frame – 1/2" dia. x 2-1/2" long shaft with two flats, 90° apart
- Continuous duty
- Fully gasketed
- Warranty: 18 months from date of manufacture and 12 months from date of installation which ever period expires first.
- Made in U.S.A.



Applications:

Designed for demanding direct drive agricultural fan applications such as poultry house fans and barn exhaust fans.

Two speed designs must be mounted in airstream for proper cooling.

SINGLE SPEED

HP	Speed (RPM)	Frame	SF	Volts	Model Number	Product Number	Notes (see page 306)	Approx Shpg Wght (lbs)	List Price	Mult Sym
1/4	1725	48Y	1.00	115	SPN4S0.25TZNY1S6001TP1-1	LM24488	ML	10	\$306	AG-1

TWO SPEED

HP	Speed (RPM)	Frame	SF	Volts	Model Number	Product Number	Notes (see page 306)	Approx Shpg Wght (lbs)	List Price	Mult Sym
1/4	1725/1140	48YZ	1.00	115	SPA4/6/1S0.25/0.25TZNY1S6001TP2-1	LM24492	AT	17	\$319	AG-1
1/3	1725/1140	48YZ	1.00	115	SPA4/6/1S0.33/0.33TZNY1S6001TP2-1	LM24491	AT	18	358	AG-1



Signature Series **AGRICULTURE FAN**

**115 & 230 VOLTS • 1-PHASE
RESILIENT BASE-THRU BOLT • OVERLOAD PROTECTION
1/4 TO 1/2 HP**

Features:

- Totally Enclosed, Air Over
- Extended thru-bolts on 48Z frame
- Shafts:
48Z – 1/2" diameter x 2-1/2" long shaft with two flats
56Z – 1/2" diameter x 2-1/2" long shaft with key
- Includes 5/8" dia. shaft adapter sleeve with key
- Continuous duty
- Fully gasketed
- Warranty: 18 months from date of manufacture and 12 months from date of installation which ever period expires first.
- Made in U.S.A.



Applications:

Designed for demanding agricultural fan applications such as poultry house fans and barn exhaust fans.

Motor must be mounted in airstream for proper cooling.

HP	SYN RPM	Frame	SF	Volts	Model Number	Product Number	Notes (see page 306)	Approx Shpg Wght (lbs)	List Price	Mult Sym
1/4	1800	48Z	1.00	115	SPA4S0.25TZRY1S6001TP2-1	LM24487	AT	17	\$319	AG-1
1/3	1800	48Z	1.00	115	SPA4S0.33TZRY1S6001TP2-1	LM24486	AT	21	358	AG-1
1/2	1800	56Z	1.00	115/230	SRA4S0.5TZR1S6027TP2-1	LM24809	AT	24	485	AG-1

Prices and data subject to change without notice.

Product numbers in red are STOCK items.

Signature Series **AERATION FAN, HVAC**
115 & 230 VOLTS • 1-PHASE
FOOT MOUNT • OVERLOAD PROTECTION
1 TO 3 HP



Features:

- Totally Enclosed, Air Over
- Capacitor start design provides high starting torque
- 18" leads for ease of connection
- Shaft has keyway and 1/4-20 UNC tapped hole
- Double sealed ball bearings for maintenance free operation.
- Warranty: 18 months from date of manufacture and 12 months from date of installation which ever period expires first.

Applications:

Direct drive vane axial fans. These TEAO motors must be mounted in airstream for proper cooling.

*56H, 143T and 145T Combination Base with 12 mounting holes.

HP	SYN RPM	Frame	SF	Volts	Model Number	Product Number	Notes (see page 306)	Approx Shpg Wght (lbs)	List Price	Mult Sym
1	3600	56Z	1.15	115/230	SRA2S1TZ1C6027L10MB6TP2-1	LM24786	AT	29	\$390	AG-1
1 1/2	3600	143TZ*	1.15	115/230	SSA2S1.5TZ1C6027L10MB6TP2-1	LM24787	AT	35	442	AG-1
3	3600	145TZ*	1.15	230	SS145A2S3TZ1B66L10MB6TP2-1	LM24788	AT	52	544	AG-1

Signature Series **AUGER DRIVE**
115, 208 & 230 VOLTS • 1-PHASE
N-FLANGE FOOTLESS • OVERLOAD PROTECTION
1/3 TO 1-1/2 HP



Features:

- Totally Enclosed, Fan Cooled
- NEMA "N", two bolt flange mounting
- Shafts:
 3/4 HP & smaller - 1/2" dia. x 1-1/2" long with flat
 1 HP & larger - 5/8" dia. x 2" long with key
- Continuous duty
- Fully gasketed, side mounted terminal box
- Mechanical start switch protected from overspeeded auger drive
- Extended fan-end shaft with flats for manually jogging auger drive
- Warranty: 18 months from date of manufacture and 12 months from date of installation which ever period expires first.



Applications:

Replacement motors for poultry feed auger drive systems. Bolts to existing gearbox for easy installation.

HP	SYN RPM	Frame	SF	Volts	Model Number	Product Number	Notes (see page 306)	Approx Shpg Wght (lbs)	List Price	Mult Sym
1/3	1800	48N	1.00	115/230	SPF4S0.33TADN1C6027TP1	LM24462	ML	23	\$409	AG-1
1/2	1800	48N	1.00	115/230	SPF4S0.5TADN1C6027TP1	LM24463	ML	23	466	AG-1
3/4	1800	56NZ	1.00	115/208-230	SRF4S0.75TZADN1C6028TP1-1	LM24812	ML	31	484	AG-1
1	1800	56NZ	1.00	115/208-230	SRF4S1TZADN1C6028TP1-1	LM24813	ML	32	602	AG-1
1 1/2	1800	56NZ	1.00	115/208-230	SRF4S1.5TZADN1C6028TP1-1	LM24814	ML	41	1013	AG-1

Prices and data subject to change without notice.

Product numbers in red are STOCK items.



Signature Series **CROP DRYER**

**230 VOLTS • 1-PHASE & 208-220/440 VOLTS • 3-PHASE
FOOT MOUNT • OVERLOAD PROTECTION
3 TO 15 HP**

Features:

- Dripproof/Air Over, continuous duty
- Maintenance-free double sealed ball bearings
- Keyed shaft with 1/4-20 UNC tapped hole in end
- 40" long leads for ease of installation (1-phase)
- 30" long leads exit elbow connector (3-phase)
- Fully gasketed terminal box
- Special rotor balance for reduced vibration
- Epoxy coated rotor
- Warranty: 18 months from date of manufacture and 12 months from date of installation which ever period expires first.
- Frame mounted capacitors on LM24778-80.
Capacitors shipped loose on LM24781-82.
- Extra nameplate included for remote mounting



Applications:

Crop dryers with air over/fan on shaft designs.

SINGLE PHASE

HP	SYN RPM	Frame	SF	Volts	Model Number	Product Number	Notes (see page 306)	Approx Shpg Wght (lbs)	List Price	Mult Sym
3 - 4 1/2	3600	145TZ	1.00	230	SSD2S3-4.5TZ1B66QS10-1	LM24778	AT	46	\$871	AG-1
5 - 7	3600	184TZ	1.00	230	SS184D2S5-7TZ1C66QS11-1	LM24779	TT, D - 131847	76	1076	AG-1
7 - 10	3600	184TZ	1.00	230	SSD2S7-10TZ1B66QS11-1	LM24780	TT	102	1426	AG-1
7 - 9	3600	184TZ	1.00	230	SSD2S7-9TZ1C66QS11-1	LM24781	TT, D - 131849	88	1155	AG-1
10 - 15	3600	215TZ	1.00	230	SS215D2S10-15TZ1C66QS11-1	LM24782	TT	135	1812	AG-1

THREE PHASE

HP	SYN RPM	Frame	SF	Volts	Model Number	Product Number	Notes (see page 306)	Approx Shpg Wght (lbs)	List Price	Mult Sym
5 - 7	3600	184TZ	1.00	208-220/440	SS184D2S5-7TZ6029QS12-1	LM24783	TT, D - 131849	70	\$907	AG-3
7 - 10	3600	184TZ	1.00	208-220/440	SSD2S7-10TZ6029QS12-1	LM24784	TT, D - 131850	83	962	AG-3
10 - 15	3600	215TZ	1.00	208-220/440	SS215D2S10-15TZ6029QS12-1	LM24785	TT	115	1270	AG-3



Signature Series **GRAIN STIRRING**

**115/208-230 VOLTS • 1-PHASE
FOOT MOUNT
1-1/2 HP**

Features:

- TEFC, continuous duty
- Maintenance-free double sealed ball bearings
- 7/8" diameter shaft
- Fully gasketed construction and fan/fan guard on shaft end keep grain dust out of motor
- Warranty: 18 months from date of manufacture and 12 months from date of installation which ever period expires first.



Applications:

Grain stirring systems inside grain bins.

HP	SYN RPM	Frame	SF	Volts	Model Number	Product Number	Notes (see page 306)	Approx Shpg Wght (lbs)	List Price	Mult Sym
1 1/2	1800	56HZ	1.15	115/208-230	SRF4S1.5TZ1B6028AP9-2	LM24521		47	\$636	AG-1

Prices and data subject to change without notice.

Product numbers in red are STOCK items.

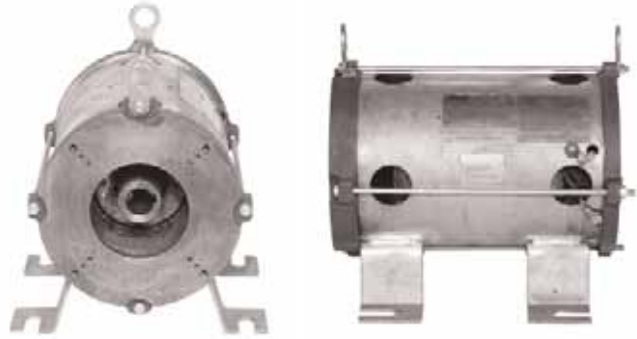
SUBMERSIBLE HYDRAULIC ELEVATOR PUMP MOTORS



3-PHASE • TOTALLY OPEN FRAME CONSTRUCTION
FOOT MOUNTED IN 160ZBS FRAME SIZE

Features:

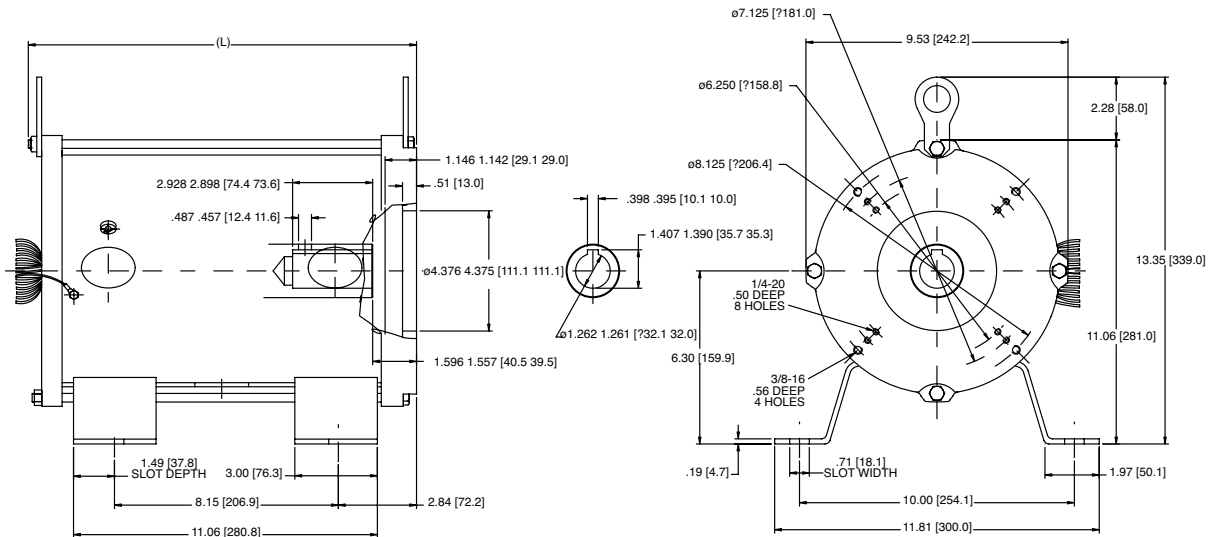
- Intermittent Duty
- Suitable for Wye-Delta Starters
- 1.0 service factor and 70°C Ambient rated
- Three bolt circles, 12 mounting holes, and face mounting to accept both the IMO and Allweiler pumps
- 10 foot long leads, spliced 40 inches from motor to prevent wicking of hydraulic fluid
- Thermostat leads are marked P1 and P2
- Class F insulation
- Two Stainless Steel nameplates, one shipped separate for remote mount
- UL Recognized Component Listing and CSA Approved



Applications:

These motors are designed to meet the demands in the Hydraulic Elevator Pump Industry. Our Submersible Hydraulic pump elevator motors are ready to be placed in elevator systems for applications in hydraulic pump passenger, service, freight and low-rise elevators. Rated up to 6 floors at speeds up to 200 fpm.

HP	SYN RPM	Frame	Volts	BTU/HR Motor Losses	KVA Code	FL Amps	Locked Rotor Amps	Model Number	Product Number	FL Eff.	Approx Shpg Wght (lbs)	List Price	Mult Sym
15	3600	160Z	200	14736	H	53	268	SD2S15Z6006YEH3	LM29656	72.2	110	\$796	SU1-A
	3600	160Z	230/460	14736	H	46/23	250/125	SD2S15Z61YEH3	LM29657	72.2	110	796	SU1-A
	3600	160Z	575	14736	H	18.4	100	SD2S15Z65YEH3	LM29658	72.2	110	796	SU1-A
20	3600	160Z	200	11792	G	64.4	363	SD2S20Z6006YEH3	LM29659	76.4	112	815	SU1-A
	3600	160Z	230/460	11792	G	56/28	316/158	SD2S20Z61YEH3	LM29660	76.4	112	815	SU1-A
	3600	160Z	575	11792	G	22.4	126	SD2S20Z65YEH3	LM29661	76.4	112	815	SU1-A
25	3600	160Z	200	10148	G	77.1	268	SD2S25Z6006YEH3	LM29662	79.0	115	888	SU1-A
	3600	160Z	230/460	10148	G	67/33.5	250/125	SD2S25Z61YEH3	LM29663	79.0	115	888	SU1-A
	3600	160Z	575	10148	G	26.8	100	SD2S25Z65YEH3	LM29664	79.0	115	888	SU1-A
30	3600	160Z	200	9603	G	92	268	SD2S30Z6006YEH3	LM29665	79.9	119	990	SU1-A
	3600	160Z	230/460	9603	G	80/40	250/125	SD2S30Z61YEH3	LM29666	79.9	119	990	SU1-A
	3600	160Z	575	9603	G	32	100	SD2S30Z65YEH3	LM29667	79.9	119	990	SU1-A
40	3600	160Z	200	7271	G	115	268	SD2S40Z6006YEH3	LM29668	84.0	132	1269	SU1-A
	3600	160Z	230/460	7271	G	100/50	250/125	SD2S40Z61YEH3	LM29669	84.0	132	1269	SU1-A
	3600	160Z	575	7271	G	40	100	SD2S40Z65YEH3	LM29670	84.0	132	1269	SU1-A
50	3600	160Z	200	7271	H	140	268	SD2S50Z6006YEH3	LM29671	84.0	143	1447	SU1-A
	3600	160Z	230/460	7271	H	122/61	250/125	SD2S50Z61YEH3	LM29672	84.0	143	1447	SU1-A
	3600	160Z	575	7271	H	48.8	100	SD2S50Z65YEH3	LM29673	84.0	143	1447	SU1-A



L32 BRACKET CONVERSION KIT

Applications:

Used to adapt the Lincoln Submersible Elevator motors to some IMO and Alweiler Pumps. Kit includes needed through bolts to mount this kit to a Lincoln Submersible Elevator Motor.

Catalog Number	Disc. Sym	App. Wgt (lbs)	List Price
LM31777	A	12	\$460

Items in red are STOCK items.



HYDRAULIC ELEVATOR PUMP MOTORS

OPEN DRIP-PROOF CONSTRUCTION • 3-PHASE
FOOT MOUNTED
10 TO 100 HP

Features:

- Dual Rated Nameplates for 80 & 120 Starts/Hour
- Designed for Belt Driven Pumps
- Wye Start/Delta Run
- Class F Insulated
- 40° C Ambient
- F-1 Mounting
- Ball Bearings with Grease Fittings and Automatic Relief
- NEMA Dimensions
- CSA Approved, UL Recognized
- Constructed for low noise and low vibration.
- Made in USA



Applications:

Hydraulic pump passenger, service, freight, and dumbwaiter low rise elevators. Typically hydraulic elevators travel up to 6 floors at speeds up to 200 fpm.

80 STARTS PER HOUR

HP	SYN RPM	Frame	Volts	80 Starts FL Amps	Locked Rotor Amps	Model Number	Product Number	Notes (see page 306)	Approx Shpg Wght (lbs)	List Price	Mult Sym
15	3600	213T	200	41	187	SSD2P10/15T6006YEH2	LM30091		114	\$929	HP1-A
	3600	213T	230/460	35.5/18	162/81	SSD2P10/15T61YEH2	LM30092		149	929	HP1-A
	1800	215T	200	45.1	170	SSD4G10/15T6006YEH2	LM28867		128	853	HP1-A
	1800	215T	230/460	39.2/19.6	148/74	SSD4G10/15T61YEH2	LM28868		124	853	HP1-A
	1800	215T	575	15.7	59.2	SSD4P10/15T65YEH2	LM28869		128	853	HP1-A
20	3600	215T	200	53	267	SSD2P15/20T6006YEH2	LM30093		135	1214	HP1-A
	3600	215T	230/460	46/23	232/116	SSD2P15/20T61YEH2	LM30094		138	1214	HP1-A
	1800	254T	200	59.1	267	SSD4G15/20T6006YEH2	LM28873		203	1163	HP1-A
	1800	254T	230/460	51.4/25.7	232/116	SSD4G15/20T61YEH2	LM28874		205	1163	HP1-A
	1800	254T	575	20.6	93	SSD4P15/20T65YEH2	LM28875		203	1163	HP1-A
25	3600	254T	200	66.5	334	SSD2P20/25T6006YEH2	LM30095		128	1539	HP1-A
	3600	254T	230/460	58/29	290/145	SSD2P20/25T61YEH2	LM30096		134	1539	HP1-A
	1800	256T	200	73.6	368	SSD4G20/25T6006YEH2	LM28879		105	1471	HP1-A
	1800	256T	230/460	64/32	320/160	SSD4G20/25T61YEH2	LM28880		233	1471	HP1-A
	1800	256T	575	25.6	128	SSD4P20/25T65YEH2	LM28881		233	1471	HP1-A
30	3600	256T	200	80	419	SSD2P25/30T6006YEH2	LM30097		235	1851	HP1-A
	3600	256T	230/460	69/34.5	364/182	SSD2P25/30T61YEH2	LM30098		235	1851	HP1-A
	1800	284T	200	84	391	CCD4G25/30T6006YEH2	LM29850		300	1944	HP1-A
	1800	284T	230/460	73/36.5	340/170	CCD4G25/30T61YEH2	LM29851		316	1944	HP1-A
	1800	284T	575	29.2	136	CCD4G25/30T65YEH2	LM29854		300	1944	HP1-A
40	3600	284T	200	112	460	CCD2P30/40T6006YEH2	LM30099		320	2384	HP1-A
	3600	284T	230/460	97/48.5	400/200	CCD2P30/40T61YEH2	LM30100		279	2384	HP1-A
	1800	286T	200	112	495	CCD4G30/40T6006YEH2	LM29852		450	2254	HP1-A
	1800	286T	230/460	97/48.5	430/215	CCD4G30/40T61YEH2	LM29853		411	2254	HP1-A
	1800	286T	575	38.8	172	CCD4G30/40T65YEH2	LM29855		653	2254	HP1-A
50	3600	286T	200	135	667	CCD2P40/50T6006YEH2	LM30101		460	3045	HP1-A
	3600	286T	230/460	117/58.5	580/290	CCD2P40/50T61YEH2	LM30102		277	3045	HP1-A
	1800	324T	200	145	630	SD4G40/50T6006YEH2	LM28897		550	3017	HP1-A
	1800	324T	230/460	126/63	548/274	SD4G40/50T61YEH2	LM28898		466	3017	HP1-A
	1800	324T	575	50.5	220	SD4G40/50T65YEH2	LM28899		550	3017	HP1-A
60	1800	326T	200	176	794	SD4G50/60T6006YEH2	LM28903		519	3351	HP1-A
	1800	326T	230/460	153/76.5	690/345	SD4G50/60T61YEH2	LM28904		530	3351	HP1-A
	1800	326T	575	61	276	SD4G50/60T65YEH2	LM28905		519	3351	HP1-A
75	1800	364T	200	206	1000	SD4G60/75T6006YEH2	LM28909		693	4149	HP1-A
	1800	364T	230/460	179/89.5	870/435	SD4S60/75T61YEH2	LM28910		709	4149	HP1-A
	1800	364T	575	71.5	350	SD4G60/75T65YEH2	LM28911		709	4149	HP1-A
100	1800	365T	230/460	250/125	1084/542	SD4G75/100T61YEH2	LM28914		754	4344	HP1-A
	1800	365T	575	100	435	SD4P75/100T65YEH2	LM28915		754	4344	HP1-A

Prices and data subject to change without notice.

SHADED FRAME INDICATES CAST IRON CONSTRUCTION

Items in red are STOCK items.

HYDRAULIC ELEVATOR PUMP MOTORS

OPEN DRIP-PROOF CONSTRUCTION • 3-PHASE
FOOT MOUNTED
10 TO 100 HP



WYE WOUND FOR ELECTRONIC START OR ACROSS THE LINE STARTING • 80 STARTS PER HOUR

HP	SYN RPM	Frame	Volts	80 Starts FL Amps	Locked Rotor Amps	Model Number	Product Number	Notes (see page 306)	Approx Shpg Wght (lbs)	List Price	Mult Sym
5	1800	182T	200	15	73.6	SSD4P5T6006YEH1	LM28918		68	\$436	HP1-A
	1800	182T	230/460	13/6.5	64/32	SSD4P5T61YEH1	LM28919		89	436	HP1-A
	1800	182T	575	5.2	25.6	SSD4P5T65YEH1	LM28920		79	436	HP1-A
7 1/2	1800	182T	200	22.8	106	SSD4G7.5T6006EH1	LM28921		98	490	HP1-A
	1800	182T	230/460	19.8/9.9	92/46	SSD4G7.5T61EH1	LM28922		61	490	HP1-A
	1800	182T	575	7.9	36.8	SSD4P7.5T65YEH1	LM28923		118	490	HP1-A
10	1800	182T	200	29.7	146	SSD4G10T6006EH1	LM28924		112	723	HP1-A
	1800	182T	230/460	25.8/12.9	127/63.5	SSD4G10T61EH1	LM28925		84	723	HP1-A
	1800	182T	575	10.3	50.8	SSD4P10T65YEH1	LM28926		123	723	HP1-A

120 STARTS PER HOUR

HP	SYN RPM	Frame	Volts	120 Starts FL Amps	Locked Rotor Amps	Model Number	Product Number	Notes (see page 306)	Approx Shpg Wght (lbs)	List Price	Mult Sym
10	3600	213T	200	27	187	SSD2P10/15T6006YEH2	LM30091		114	\$929	HP1-A
	3600	213T	230/460	23.4/11.7	162/81	SSD2P10/15T61YEH2	LM30092		149	929	HP1-A
1800	1800	215T	200	28.8	170	SSD4G10/15T6006YEH2	LM28867		128	853	HP1-A
	1800	215T	230/460	25/12.5	148/74	SSD4G10/15T61YEH2	LM28868		124	853	HP1-A
	1800	215T	575	10	59.2	SSD4P10/15T65YEH2	LM28869		128	853	HP1-A
15	3600	215T	200	39	267	SSD2P15/20T6006YEH2	LM30093		135	1214	HP1-A
	3600	215T	230/460	34/17	232/116	SSD2P15/20T61YEH2	LM30094		138	1214	HP1-A
1800	1800	254T	200	44.2	267	SSD4G15/20T6006YEH2	LM28873		203	1163	HP1-A
	1800	254T	230/460	38.4/19.2	232/116	SSD4G15/20T61YEH2	LM28874		205	1163	HP1-A
	1800	254T	575	15.4	93	SSD4P15/20T65YEH2	LM28875		203	1163	HP1-A
20	3600	254T	200	53	334	SSD2P20/25T6006YEH2	LM30095		128	1539	HP1-A
	3600	254T	230/460	46/23	290/145	SSD2P20/25T61YEH2	LM30096		134	1539	HP1-A
1800	1800	256T	200	59.6	368	SSD4G20/25T6006YEH2	LM28879		105	1471	HP1-A
	1800	256T	230/460	52/26	320/160	SSD4G20/25T61YEH2	LM28880		233	1471	HP1-A
	1800	256T	575	20.8	128	SSD4P20/25T65YEH2	LM28881		233	1471	HP1-A
25	3600	256T	200	66.5	419	SSD2P25/30T6006YEH2	LM30097		235	1851	HP1-A
	3600	256T	230/460	58/29	364/182	SSD2P25/30T61YEH2	LM30098		235	1851	HP1-A
1800	1800	284T	200	70.2	391	CCD4G25/30T6006YEH2	LM29850		300	1944	HP1-A
	1800	284T	230/460	61/30.5	340/170	CCD4G25/30T61YEH2	LM29851		316	1944	HP1-A
	1800	284T	575	24.4	136	CCD4G25/30T65YEH2	LM29854		300	1944	HP1-A
30	3600	284T	200	83	460	CCD2P30/40T6006YEH2	LM30099		320	2384	HP1-A
	3600	284T	230/460	72/36	400/200	CCD2P30/40T61YEH2	LM30100		279	2254	HP1-A
1800	1800	286T	200	82.8	495	CCD4G30/40T6006YEH2	LM29852		450	2254	HP1-A
	1800	286T	230/460	72/36	430/215	CCD4G30/40T61YEH2	LM29853		411	2254	HP1-A
	1800	286T	575	28.8	172	CCD4G30/40T65YEH2	LM29855		653	2254	HP1-A
40	3600	286T	200	108	667	CCD2P40/50T6006YEH2	LM30101		460	3045	HP1-A
	3600	286T	230/460	94/47	580/290	CCD2P40/50T61YEH2	LM30102		277	3045	HP1-A
1800	1800	324T	200	118	630	SD4G40/50T6006YEH2	LM28897		550	3017	HP1-A
	1800	324T	230/460	103/51.5	548/274	SD4G40/50T61YEH2	LM28898		466	3017	HP1-A
	1800	324T	575	41	220	SD4G40/50T65YEH2	LM28899		550	3017	HP1-A
50	1800	326T	200	150	794	SD4G50/60T6006YEH2	LM28903		519	3351	HP1-A
	1800	326T	230/460	130/65	690/345	SD4G50/60T61YEH2	LM28904		530	3351	HP1-A
	1800	326T	575	52	276	SD4G50/60T65YEH2	LM28905		51	3351	HP1-A
60	1800	364T	200	167	1000	SD4G60/75T6006YEH2	LM28909		693	4149	HP1-A
	1800	364T	230/460	146/73	870/435	SD4S60/75T61YEH2	LM28910		709	4149	HP1-A
	1800	364T	575	58	350	SD4G60/75T65YEH2	LM28911		709	4149	HP1-A
75	1800	365T	230/460	188/94	1084/542	SD4G75/100T61YEH2	LM28914		754	4344	HP1-A
	1800	365T	575	75	435	SD4P75/100T65YEH2	LM28915		754	4344	HP1-A

Prices and data subject to change without notice.

SHADED FRAME INDICATES CAST IRON CONSTRUCTION

Items in red are STOCK items.



VVVF (VARIABLE VOLTAGE VARIABLE FREQUENCY) TRACTION ELEVATOR HOIST MOTORS

3-PHASE • OPEN DRIP-PROOF CONSTRUCTION • FOOT MOUNTED • 7.5 TO 75 HP
1200 RPM & 900 RPM • HIGH ACCELERATION • 60 HZ, 40HZ & 30HZ DESIGNS

Features:

- Dynamic balanced for low vibration operation
- Normally closed thermostats, one per phase
- Low noise design
- Steel frame construction with cast iron endbells
- Class F Insulated, 40° C ambient
- Epact efficiency or better
- 1.0 Service Factor
- 1024 PPR encoder, with 1-inch shaft bore standard
- F-1 Mounting
- 1000:1 Inverter Duty capability
- Made in USA



Applications:

Designed for Geared and Gearless Traction Elevators, 100 fpm to 500 fpm operation and up to 12 or 15 floors.

FOOT MOUNTING WITH ENCODER F-1

HP	SYN RPM	No. of Poles	Frame	HZ	Volts	FL Amps	Rated Accel. Torque	Model Number	Product Number	Notes (see page 306)	Approx Shpg Wght (lbs)	List Price	Mult Sym
7 1/2	1200	6	254T	60	230/460	24/12	225%	SD6P7.5T61ET1	LM28114		221	\$2675	C
	1200	6	254T	60	200	28	225%	SD6P7.5T6006ET1	LM28115		221	2675	C
	1200	4	254T	40	230/460	19/9.5	275%	SD4P7.5T41ET1	LM28116		200	2624	C
	1200	4	254T	40	200	22	275%	SD4P7.5T4006ET1	LM28117		200	2624	C
	900	4	256T	30	230/460	19.6/9.8	275%	SD4P7.5T31ET1	LM28118		278	2914	C
	900	4	256T	30	200	23	275%	SD4P7.5T3006ET1	LM28119		278	2914	C
10	1200	6	256T	60	230/460	24/12	250%	SSD6P10T61ET1	LM28120		214	2974	C
	1200	6	256T	60	200	28	250%	SD6P10T6006ET1	LM28121		214	2974	C
	1200	4	256T	40	230/460	19/9.5	275%	SD4P10T41ET1	LM28122		232	2914	C
	1200	4	256T	40	200	22	275%	SSD4P10T4006ET1	LM28123		232	2914	C
	900	4	284T	30	230/460	19.6/9.8	330%	SD4P10T31ET1	LM28124		280	3450	C
	900	4	284T	30	200	23	330%	SD4P10T3006ET1	LM28125		280	3450	C
12 1/2	1200	6	284T	60	230/460	42/21	300%	SD6P12.5T61ET1	LM31393		338	3552	C
	1200	6	284T	60	200	48.5	300%	SD6P12.5T6006YET1	LM30676		338	3552	C
	900	4	284T	30	230/460	34/17	300%	SD4P12.5T31ET1	LM30677		365	3745	C
	900	4	284T	30	200	38.5	300%	SD4P12.5T3006ET1	LM30678		365	3745	C
15	1800	4	256T	60	230/460			SD4P15T61ET1	LM30679		233	2974	C
	1800	4	256T	60	200			SD4P15T6006ET1	LM30680		233	2974	C
	1200	6	284T	60	230/460	49/24.5	300%	SD6S15T61YET1	LM28126		341	3573	C
	1200	6	284T	60	200	56.5	300%	SD6G15T6006YET1	LM28127		338	3573	C
	1200	4	284T	40	230/460	40/20	330%	SD4P15T41ET1	LM28128		344	3450	C
	1200	4	284T	40	200	46	330%	SD4P15T4006ET1	LM28129		344	3450	C
20	900	4	286T	30	230/460	40/20	300%	SD4S15T31YET1	LM30535		392	4040	C
	900	4	286T	30	200	46	300%	SD4P15T3006ET1	LM28131		392	4040	C
	1800	4	256T	60	230/460			SD4P20T61ET1	LM30681		240	3274	C
	1800	4	256T	60	200			SD4P20T6006ET1	LM30682		240	3274	C
	1200	6	286T	60	230/460	61/30.5	275%	SD6S20T61YET1	LM28132		390	4153	C
	1200	6	286T	60	200	68	275%	SD6S20T6006YET1	LM28133		400	4153	C
25	1200	4	286T	40	230/460	52/26	330%	SD4P20T41ET1	LM28134		385	4040	C
	1200	4	286T	40	200	60	330%	SD4P20T4006ET1	LM28135		385	4040	C
	900	4	324T	30	230/460	54/27	275%	SD4P20T31ET1	LM28136		480	4603	C
	900	4	324T	30	200	62.1	275%	SD4P20T3006ET1	LM28137		471	4603	C
	1800	4	284T	60	230/460	64/32	250%	SD4P25T61ET1	LM30720		350	3573	C
	1800	4	284T	60	200	73.5	250%	SD4P25T62ET1	LM30721		350	3573	C
25	1200	6	324T	60	230/460	64/32	250%	SD6S25T61YET1	LM28138		505	5025	C
	1200	6	324T	60	200	73.6	250%	SD6P25T6006ET1	LM28139		505	5025	C
	1200	4	324T	40	230/460	65/32.5	275%	SD4P25T41ET1	LM28140		472	4603	C
	1200	4	324T	40	200	74.8	275%	SD4P25T4006ET1	LM28141		472	4603	C
	900	4	326T	30	230/460	64/32	275%	SD4P25T31ET1	LM28142		538	5228	C
	900	4	326T	30	200	73.6	275%	SD4P25T3006YET1	LM28143		525	5228	C

Prices and data subject to change without notice.

Items in red are STOCK items.

VVVF (VARIABLE VOLTAGE VARIABLE FREQUENCY) TRACTION ELEVATOR HOIST MOTORS



3-PHASE • OPEN DRIP-PROOF CONSTRUCTION • FOOT MOUNTED • 7.5 TO 75 HP
1200 RPM & 900 RPM • HIGH ACCELERATION • 60 HZ, 40HZ & 30HZ DESIGNS

FOOT MOUNTING WITH ENCODER F-1 (cont'd)

HP	SYN RPM	No. of Poles	Frame	HZ	Volts	FL Amps	Rated Accel. Torque	Model Number	Product Number	Notes (see page 306)	Approx Shpg Wght (lbs)	List Price	Mult Sym	
30	1800	4	286T	60	230/460	72/36	250%	SD4P30T61ET1	LM30722		400	\$4153	C	
	1800	4	286T	60	200	83	250%	SD4P30T62ET1	LM30723		400	4153	C	
	1200	6	326T	60	230/460	76/38	225%	SD6S30T61YET1	LM27976		535	5607	C	
	1200	6	326T	60	200	87.4	225%	SD6S30T6006YET1	LM28144		552	5607	C	
	1200	4	326T	40	230/460	74/37	275%	SD4P30T41ET1	LM28145		516	5131	C	
	1200	4	326T	40	200	85	275%	SD4P30T4006ET1	LM28146		516	5131	C	
	900	4	364T	30	230/460	74/37	275%	SD4P30T31ET1	LM28147		575	6282	C	
	900	4	364T	30	200	85	275%	SD4P30T3006ET1	LM28148		575	6282	C	
	40	1800	4	324T	60	230/460	98/49	250%	SD4P40T61ET1	LM30724		470	4756	C
		1800	4	324T	60	200	113	250%	SD4P40T62ET1	LM30725		470	4756	C
1200		6	364T	60	230/460	98/49	250%	SD6S40T61YET1	LM28149		755	7087	C	
1200		6	364T	60	200	113	250%	SD6S40T6006YET1	LM28150		755	7087	C	
1200		4	364T	40	230/460	96/48	275%	SD4P40T41ET1	LM28151		715	6282	C	
1200		4	364T	40	200	111	275%	SD4P40T4006ET1	LM28152		715	6282	C	
900		4	365T	30	230/460	97/48.5	275%	SD4P40T31ET1	LM28153		783	6996	C	
900		4	365T	30	200	112	275%	SD4P40T3006ET1	LM28154		783	6996	C	
50		1800	4	326T	60	230/460	121/60.5	250%	SD4P50T61ET1	LM30647		522	5306	C
		1800	4	326T	60	200	139	250%	SD4P50T6006ET1	LM30648		522	5306	C
	1200	6	365T	60	230/460	129/64.5	275%	SD6S50T61YET1	LM28155		800	7281	C	
	1200	6	365T	60	200	148	275%	SD6S50T6006YET1	LM28156		800	7281	C	
	1200	4	365T	40	230/460	120/60	275%	SD4P50T41ET1	LM28157		765	6996	C	
	1200	4	365T	40	200	138	275%	SD4P50T4006ET1	LM28158		765	6996	C	
	900	4	405T	30	230/460	118/59	275%	SD4P50T31ET1	LM28159		964	9300	C	
	900	4	405T	30	200	136	275%	SD4S50T3006YET1	LM28160		964	9300	C	
	60	1800	4	364T	60	230/460	140/70		SD4P60T61ET1	LM30649		715	6533	C
		1800	4	364T	60	200	161		SD4P60T6006ET1	LM30650		715	6533	C
1200		6	404T	60	230/460	167/83.5	250%	SD6P60T61YET1	LM28161		888	8234	C	
1200		6	404T	60	200	192	250%	SD6P60T6006YET1	LM28162		888	8234	C	
1200		4	404T	40	230/460	136/68		SD4P60T41ET1	LM28163		870	7905	C	
1200		4	404T	40	200	157		SD4P60T4006ET1	LM28164		870	7905	C	
900		4	444T	30	230/460	140/70	275%	SD4P60T31ET1	LM28165		1277	11253	C	
900		4	444T	30	200	161	275%	SD4P60T3006ET1	LM28166		1277	11253	C	
75		1800	4	365T	60	230/460	45.5/91		SD4P75T61ET1	LM30651		765	7281	C
		1800	4	365T	60	200	209		SD4P75T6006ET1	LM30652		765	7281	C
	1200	6	405T	60	230/460	178/89	250%	SD6P75T61YET1	LM28167		943	9695	C	
	1200	6	405T	60	200	205	250%	SD6P75T6006YET1	LM28168		943	9695	C	
	1200	4	405T	40	230/460	170/85		SD4P75T41ET1	LM28169		960	9300	C	
	1200	4	405T	40	200	196		SD4P75T4006ET1	LM28170		960	9300	C	

WITH ENCODER • F-1 CONDUIT BOX • C-FACE • NO FEET

HP	SYN RPM	No. of Poles	Frame	HZ	Volts	FL Amps	Rated Accel. Torque	Model Number	Product Number	Notes (see page 306)	Approx Shpg Wght (lbs)	List Price	Mult Sym
7 1/2	1200	6	254T	60	230/460	24/12	225%	SD6P7.5TCN61ET1	LM28200		150	\$2754	C
	1200	6	254T	60	200	28	225%	SD6P7.5TCN6006ET1	LM28201		150	2754	C
	1200	4	254T	40	230/460	19/9.5	275%	SD4P7.5TCN41ET1	LM30655		145	2702	C
	1200	4	254T	40	200	22	275%	SD4P7.5TCN4006ET1	LM30663		145	2702	C
	900	4	256T	30	230/460	19.6/9.8	275%	SD4P7.5TCN31ET1	LM28202		225	2992	C
	900	4	256T	30	200	23	275%	SD4P7.5TCN3006ET1	LM28203		225	2992	C
10	1200	6	256T	60	230/460	24/12	250%	SSD6P10TCN61ET1	LM28204		202	3053	C
	1200	6	256T	60	200	28	250%	SD6P10TCN6006ET1	LM28205		202	3053	C
	1200	4	256T	40	230/460	19/9.5	275%	SD4P10TCN41ET1	LM30732		230	2992	C
	1200	4	256T	40	200	22	275%	SD4P10TCN4006ET1	LM30733		230	2992	C
	900	4	284T	30	230/460	19.6/9.8	330%	SD4P10TCN31ET1	LM28206		355	3587	C
	900	4	284T	30	200	23	330%	SD4P10TCN3006ET1	LM28207		355	3587	C

Prices and data subject to change without notice.

Items in red are STOCK items.



VVVF (VARIABLE VOLTAGE VARIABLE FREQUENCY) TRACTION ELEVATOR HOIST MOTORS

3-PHASE • OPEN DRIP-PROOF CONSTRUCTION • FOOT MOUNTED • 7.5 TO 75 HP
1200 RPM & 900 RPM • HIGH ACCELERATION • 60 HZ, 40HZ & 30HZ DESIGNS

WITH ENCODER • F-1 CONDUIT BOX • C-FACE • NO FEET (cont'd)

HP	SYN RPM	No. of Poles	Frame	HZ	Volts	FL Amps	Rated Accel. Torque	Model Number	Product Number	Notes (see page 306)	Approx Shpg Wght (lbs)	List Price	Mult Sym
12 1/2	1200	6	284T	60	230/460	42/21	300%	SD4P12.5TCN61ET1	LM30734		305	\$3411	C
	1200	6	284T	60	200	48.5	300%	SD4P12.5TCN6006ET1	LM30735		305	3411	C
	900	4	284T	30	230/460	34/17	300%	SD4P12.5TCN3006ET1	LM30736		355	3882	C
	900	4	284T	30	200	38.5	300%	SD4P12.5TCN3006ET1	LM30737		355	3882	C
15	1800	4	256T	60	230/460			SD4P15TCN61ET1	LM30748		220	3053	C
	1800	4	256T	60	200			SD4P15TCN6006ET1	LM30749		220	3053	C
	1200	6	284T	60	230/460	49/24.5	300%	SD6P15TCN61ET1	LM28208		330	3710	C
	1200	6	284T	60	200	56.5	300%	SD6S15TCN6006YET1	LM28209		330	3710	C
	1200	4	284T	40	230/460	40/20	330%	SD4P15TCN41ET1	LM30750		355	3587	C
	1200	4	284T	40	200	46	330%	SD4P15TCN4006ET1	LM30751		355	3587	C
	900	4	286T	30	230/460	40/20	300%	SD4P15TCN31ET1	LM28210		388	4176	C
	900	4	286T	30	200	46	300%	SD4S15TCN3006ET1	LM28211		388	4176	C
20	1800	4	256T	60	230/460			SD4P20TCN61ET1	LM30752		249	3353	C
	1800	4	256T	60	200			SD4P20TCN6006ET1	LM30753		249	3353	C
	1200	6	286T	60	230/460	61/30.5	275%	SD6S20TCN61YET1	LM28212		379	4452	C
	1200	6	286T	60	200	68	275%	SD6S20TCN6006YET1	LM28213		379	4452	C
	1200	4	286T	40	230/460	52/26	330%	SD4P20TCN41ET1	LM30739		396	4176	C
	1200	4	286T	40	200	60	330%	SD4P20TCN6006ET1	LM30740		396	4176	C
	900	4	324T	30	230/460	54/27	275%	SD4P20TCN31ET1	LM28214		480	4830	C
	900	4	324T	30	200	62.1	275%	SD4S20TCN3006YET1	LM28215		480	4830	C
25	1800	4	284T	60	230/460	64/32	250%	SD4P25TCN61ET1	LM31607		355	3763	C
	1800	4	284T	60	200	73.5	250%	SD4P25TCN6006ET1	LM30760		355	3763	C
	1200	6	324T	60	230/460	64/32	250%	SD6S25TC61YET1	LM28216		499	5407	C
	1200	6	324T	60	200	73.6	250%	SD6P25TCN6006ET1	LM28217		499	5407	C
	1200	4	324T	40	230/460	65/32.5	275%	SD4P25TCN41ET1	LM30754		480	4830	C
	1200	4	324T	40	200	74.8	275%	SD4P25TCN4006ET1	LM30755		480	4830	C
	900	4	326T	30	230/460	64/32	275%	SD4P25TCN31ET1	LM28218		533	5814	C
	900	4	326T	30	200	73.6	275%	SD4P25TCN3006ET1	LM28219		533	5814	C
30	1800	4	286T	60	230/460	72/36	250%	SD4S30TCN61YET1	LM30702		397	4290	C
	1800	4	286T	60	200	83	250%	SD4P30TCN6006ET1	LM30762		397	4290	C
	1200	6	326T	60	230/460	76/38	225%	SD6S30TCN61YET1	LM27971		537	6004	C
	1200	6	326T	60	200	87.4	225%	SD6S30TCN6006YET1	LM28220		557	6004	C
	1200	4	326T	40	230/460	74/37	275%	SD4P30TCN41ET1	LM30756		532	5359	C
	1200	4	326T	40	200	85	275%	SD4P30TCN4006ET1	LM30757		532	5359	C
	900	4	364T	30	230/460	74/37	275%	SD4P30TCN31ET1	LM28221		720	6647	C
	900	4	364T	30	200	85	275%	SD4P30TCN3006ET1	LM28222		720	6647	C
40	1800	4	324T	60	230/460	98/49	250%	SD4P40TCN61ET1	LM30763		480	4984	C
	1800	4	324T	60	200	113	250%	SD4P40TCN6006ET1	LM30764		480	4984	C
	1200	6	364T	60	230/460	98/49	250%	SD6P40TCN61ET1	LM28223		724	7289	C
	1200	6	364T	60	200	113	250%	SD6P40TCN6006ET1	LM28224		724	7289	C
	1200	4	364T	40	230/460	96/48	275%	SD4P40TCN41ET1	LM30758		715	6647	C
	1200	4	364T	40	200	111	275%	SD4P40TCN4006ET1	LM30765		715	6647	C
	900	4	365T	30	230/460	97/48.5	275%	SD4P40TCN31ET1	LM28225		775	7501	C
	900	4	365T	30	200	112	275%	SD4P40TCN3006ET1	LM28226		775	7501	C
50	1800	4	326T	60	230/460	121/60.5	250%	SD4P50TCN61ET1	LM30746		532	5534	C
	1800	4	326T	60	200	139	250%	SD4P50TCN6006ET1	LM30747		532	5534	C
	1200	6	365T	60	230/460	129/64.5	275%	SD6P50TCN61ET1	LM28227		775	7647	C
	1200	6	365T	60	200	148	275%	SD6P50TCN6006ET1	LM28228		775	7647	C

Prices and data subject to change without notice.

ENCODER PIGTAIL KITS - VVVF ELEVATOR MOTORS

Applications:

Encoder Pigtail Kits are used to extend the length of the existing encoder leads.

Kit Number	Description	List Price
LM30531	30 ft. encoder cable kit	\$455
LM31752	40 ft. encoder cable kit	\$555
LM33081	50 ft. encoder cable kit	\$656

Items in red are STOCK items.

ODP – ENCAPSULATED MULTIGUARD®



230/460 & 460 VOLTS • 3-PHASE
FOOT MOUNT, C-FACE & DOUBLE C-FACE/DOUBLE SHAFT
15 TO 250 HP

Features:

- Encapsulated Windings
- NEMA Design B performance
- Durable steel frame, cast iron end brackets
- Premium Class F Plus Insulation System
- Continuous Duty, 40°C ambient
- Reduced voltage start capability –
284T-405T: Y-delta start on either voltage
444T-445T: Y-delta start and part-winding start
- Warranty: 42 months from date of manufacture or 36 months from date of installation, whichever period expires first.
- Made in U.S.A.

Applications:

Multiguard motors utilize an ODP enclosure with a winding protection system unique to the motor industry. The windings are impregnated and encapsulated in a thermosetting, specially formulated polyester based resin using a high pressure injection-molding process. When compared to a standard ODP and in some cases TEFC, it performs better in applications involving moisture, vibration, dust and some chemical action.



Stator/frame assembly pictured – end brackets removed to show encapsulation.

FOOT MOUNT

HP	SYN RPM	Frame	FL Nom Eff (%)	SF	Volts	Model Number	Product Number	Notes (see page 306)	Approx Shpg Wght (lbs)	List Price	Mult Sym
15	1200	284T	86.5	1.00	230/460	MD6S15T61	LM03614		280	\$2489	LT-1A
	1200	284TS	86.5	1.00	230/460	MD6S15TS61	LM10636		280	2489	LT-1A
20	1200	286T	84.0	1.00	230/460	MD6S20T61	LM03631		328	2749	LT-1A
	1200	286TS	84.0	1.00	230/460	MD6S20TS61	LM10637		328	2748	LT-1A
25	1800	284T	87.5	1.00	230/460	MD4S25T61	LM03618		296	2446	LT-1A
	1800	284TS	87.5	1.00	230/460	MD4S25TS61	LM10638		296	2446	LT-1A
	1200	324T	89.5	1.00	230/460	MD6S25T61	LM03665		422	3610	LT-1A
	1200	324TS	89.5	1.00	230/460	MD6S25TS61	LM10639		422	3610	LT-1A
30	3600	284T	82.5	1.00	230/460	MD2S30T61	LM03628		306	3026	LT-1A
	3600	284TS	82.5	1.00	230/460	MD2S30TS61	LM03627		306	3026	LT-1A
	1800	286T	87.5	1.00	230/460	MD4S30T61	LM03636		334	2679	LT-1A
	1800	286TS	87.5	1.00	230/460	MD4S30TS61	LM03637		334	2679	LT-1A
	1200	326T	89.5	1.00	230/460	MD6S30T61	LM03865		482	3955	LT-1A
	1200	326TS	89.5	1.00	230/460	MD6S30TS61	LM10640		482	3955	LT-1A
40	3600	286T	84.0	1.00	230/460	MD2S40T61	LM03651		350	3490	LT-1A
	3600	286TS	84.0	1.00	230/460	MD2S40TS61	LM03650		350	3490	LT-1A
	1800	324T	90.2	1.00	230/460	MD4S40T61	LM03669		420	3502	LT-1A
	1800	324TS	90.2	1.00	230/460	MD4S40TS61	LM03670		420	3502	LT-1A
	1200	364T	91.7	1.00	230/460	MD6S40T61	LM03703		655	7206	LT-1A
	1200	364TS	91.7	1.00	230/460	MD6S40TS61	LM10641		655	7206	LT-1A
50	3600	324T	86.5	1.00	230/460	MD2S50T61	LM03682		425	4191	LT-1A
	3600	324TS	86.5	1.00	230/460	MD2S50TS61	LM03681		425	4191	LT-1A
	1800	326T	91.7	1.00	230/460	MD4S50T61	LM03683		476	3722	LT-1A
	1800	326TS	91.7	1.00	230/460	MD4S50TS61	LM03684		476	3722	LT-1A
	1200	365T	91.7	1.00	230/460	MD6S50T61	LM03720		690	5630	LT-1A
	1200	365TS	91.7	1.00	230/460	MD6S50TS61	LM10642		690	5630	LT-1A
60	3600	326T	87.5	1.00	230/460	MD2S60T61	LM03692		484	4841	LT-1A
	3600	326TS	87.5	1.00	230/460	MD2S60TS61	LM03691		484	4841	LT-1A
	1800	364T	92.4	1.00	230/460	MD4S60T61	LM03709		627	5059	LT-1A
	1800	364TS	92.4	1.00	230/460	MD4S60TS61	LM03708		627	5059	LT-1A
	1200	404T	92.4	1.00	230/460	MD6S60T61	LM03785		855	7858	LT-1A
	1200	404TS	92.4	1.00	230/460	MD6S60TS61	LM10643		855	7858	LT-1A

Prices and data subject to change without notice.

Product numbers in red are STOCK items.



ODP - ENCAPSULATED MULTIGUARD®

230/460 & 460 VOLTS • 3-PHASE
FOOT MOUNT, C-FACE & DOUBLE C-FACE/DOUBLE SHAFT
15 TO 250 HP

FOOT MOUNT (cont'd)

HP	SYN RPM	Frame	FL Nom Eff (%)	SF	Volts	Model Number	Product Number	Notes (see page 306)	Approx Shpg Wght (lbs)	List Price	Mult Sym
75	3600	364T	88.5	1.00	230/460	MD2S75T61	LM03719		644	\$7377	LT-1A
	3600	364TS	88.5	1.00	230/460	MD2S75TS61	LM03718		644	7377	LT-1A
	1800	365T	91.7	1.00	230/460	MD4S75T61	LM03729		697	5375	LT-1A
	1800	365TS	91.7	1.00	230/460	MD4S75TS61	LM03728		697	5375	LT-1A
	1200	405T	92.4	1.00	230/460	MD6S75T61	LM03799		948	7967	LT-1A
	1200	405TS	92.4	1.00	230/460	MD6S75TS61	LM03800		948	7967	LT-1A
100	3600	365T	88.5	1.00	230/460	MD2S100T61	LM03740		712	6945	LT-1A
	3600	365TS	88.5	1.00	230/460	MD2S100TS61	LM03739		712	6945	LT-1A
	1800	404T	93.0	1.00	230/460	MD4S100T61	LM03791		865	7155	LT-1A
	1800	404TS	93.0	1.00	230/460	MD4S100TS61	LM03790		865	7155	LT-1A
	1200	444T	94.1	1.00	460	MD6S100T64PY	LM03752		1,213	10847	LT-1A
	1200	444TS	94.1	1.00	460	MD6S100TS64PY	LM03753		1,213	10847	LT-1A
125	3600	404T	89.5	1.00	230/460	MD2S125T61	LM10644		875	9916	LT-1A
	3600	404TS	89.5	1.00	230/460	MD2S125TS61	LM03797		875	9916	LT-1A
	1800	405T	93.0	1.00	230/460	MD4S125T61	LM03809		972	8124	LT-1A
	1800	405TS	93.0	1.00	230/460	MD4S125TS61	LM03808		972	8124	LT-1A
	1200	445T	94.1	1.00	460	MD6S125T64PY	LM03768		1,377	12668	LT-1A
	1200	445TS	94.1	1.00	460	MD6S125TS64PY	LM10645		1,377	12668	LT-1A
150	3600	405T	89.5	1.00	230/460	MD2S150T61	LM03816		978	9975	LT-1A
	3600	405TS	89.5	1.00	230/460	MD2S150TS61	LM03815		978	9975	LT-1A
	1800	444T	93.6	1.00	460	MD4S150T64PY	LM03761		1,230	10725	LT-1A
	1800	444TS	93.6	1.00	460	MD4S150TS64PY	LM03760		1,230	10725	LT-1A
200	1800	445T	94.5	1.00	460	MD4S200T64PY	LM03773		1,440	13088	LT-1A
	1800	445TS	94.5	1.00	460	MD4S200TS64PY	LM03772		1,440	13088	LT-1A
250	1800	445T	93.6	1.00	460	MD4S250T64PY	LM03780		1,500	13680	LT-1A
	1800	445TS	93.6	1.00	460	MD4S250TS64PY	LM03779		1,500	13680	LT-1A

C-FACE WITH FEET

HP	SYN RPM	Frame	FL Nom Eff (%)	SF	Volts	Model Number	Product Number	Notes (see page 306)	Approx Shpg Wght (lbs)	List Price	Mult Sym
15	1200	284TC	86.5	1.00	230/460	MD6S15TC61	LM03616		287	\$2643	LT-1A
	1200	284TSC	86.5	1.00	230/460	MD6S15TSC61	LM03615		287	2643	LT-1A
20	1200	286TC	84.0	1.00	230/460	MD6S20TC61	LM03633		335	2900	LT-1A
	1200	286TSC	84.0	1.00	230/460	MD6S20TSC61	LM03632		335	2900	LT-1A
25	1800	284TC	87.5	1.00	230/460	MD4S25TC61	LM03623		303	2587	LT-1A
	1800	284TSC	87.5	1.00	230/460	MD4S25TSC61	LM03619		303	2587	LT-1A
	1200	324TC	89.5	1.00	230/460	MD6S25TC61	LM03666		432	3866	LT-1A
30	1800	286TC	87.5	1.00	230/460	MD4S30TC61	LM03643		343	2627	LT-1A
	1800	286TSC	87.5	1.00	230/460	MD4S30TSC61	LM03639		343	2627	LT-1A
	1200	326TC	89.5	1.00	230/460	SE6S30TC61	LM20488		482	4210	LT-1A
40	1800	324TC	90.2	1.00	230/460	MD4S40TC61	LM03673		439	3758	LT-1A
	1800	324TSC	90.2	1.00	230/460	MD4S40TSC61	LM03671		439	3758	LT-1A
	1200	364TC	91.7	1.00	230/460	MD6S40TC61	LM03705		667	6006	LT-1A
50	1800	326TC	91.7	1.00	230/460	MD4S50TC61	LM03686		486	3977	LT-1A
	1800	326TSC	91.7	1.00	230/460	MD4S50TSC61	LM03685		486	3977	LT-1A
	1200	365TC	91.7	1.00	230/460	MD6S50TC61	LM03724		702	6550	LT-1A
60	1800	364TC	92.4	1.00	230/460	MD4S60TC61	LM03711		639	5802	LT-1A
	1800	364TSC	92.4	1.00	230/460	MD4S60TSC61	LM03713		639	5802	LT-1A
75	1800	365TC	91.7	1.00	230/460	MD4S75TC61	LM03730		709	6508	LT-1A
	1800	365TSC	91.7	1.00	230/460	MD4S75TSC61	LM03733		709	6508	LT-1A
	1200	405TC	92.4	1.00	230/460	MD6S75TC61	LM03804		964	8454	LT-1A
100	1800	404TC	93.0	1.00	230/460	MD4S100TC61	LM03792		881	7644	LT-1A
	1800	404TSC	93.0	1.00	230/460	MD4S100TSC61	LM03794		881	7640	LT-1A
	1200	444TSC	94.1	1.00	460	MD6S100TSC64PY	LM03755		1234	11450	LT-1A

Prices and data subject to change without notice.

Product numbers in red are STOCK items.

ODP - ENCAPSULATED MULTIGUARD®



230/460 & 460 VOLTS • 3-PHASE
FOOT MOUNT, C-FACE & DOUBLE C-FACE/DOUBLE SHAFT
15 TO 250 HP

C-FACE WITH FEET (cont'd)

HP	SYN RPM	Frame	FL Nom Eff (%)	SF	Volts	Model Number	Product Number	Notes (see page 306)	Approx Shpg Wght (lbs)	List Price	Mult Sym
125	1800	405TC	93.0	1.00	230/460	MD4S125TC61	LM03810		988	\$8610	LT-1A
	1800	405TSC	93.0	1.00	230/460	MD4S125TSC61	LM03812		988	8610	LT-1A
	1200	445TSC	94.1	1.00	460	MD6S125TSC64PY	LM03770		1398	13270	LT-1A
150	1800	444TSC	93.6	1.00	460	MD4S150TSC64PY	LM03763		1251	11327	LT-1A
200	1800	445TSC	94.5	1.00	460	MD4S200TSC64PY	LM03776		1435	13690	LT-1A
250	1800	445TSC	93.6	1.00	460	SE4S250TSC64PY	LM16564		1600	14282	LT-1A

DOUBLE C-FACE/DOUBLE SHAFT

HP	SYN RPM	Frame	FL Nom Eff (%)	SF	Volts	Model Number	Product Number	Notes (see page 306)	Approx Shpg Wght (lbs)	List Price	Mult Sym
15	1200	284TC	86.5	1.00	230/460	MD6S15TCTMC61	LM10725		295	\$2986	LT-1A
	1200	284TSC	86.5	1.00	230/460	MD6S15TSC61	LM10726		295	2986	LT-1A
20	1200	286TC	84.0	1.00	230/460	MD6S20TCTMC61	LM10727		342	3244	LT-1A
	1200	286TSC	84.0	1.00	230/460	MD6S20TSC61	LM03634		342	3244	LT-1A
25	1800	284TC	87.5	1.00	230/460	MD4S25TCTMC61	LM03624		310	2930	LT-1A
	1800	284TSC	87.5	1.00	230/460	MD4S25TSC61	LM03625		310	2930	LT-1A
	1200	324TC	89.5	1.00	230/460	MD6S25TCTMC61	LM03667		442	4170	LT-1A
	1200	324TSC	89.5	1.00	230/460	MD6S25TSC61	LM03668		442	4170	LT-1A
30	1800	286TC	87.5	1.00	230/460	MD4S30TCTMC61	LM03644		348	3175	LT-1A
	1800	286TSC	87.5	1.00	230/460	MD4S30TSC61	LM03645		348	3175	LT-1A
	1200	326TC	89.5	1.00	230/460	MD6S30TCTMC61	LM10730		502	4516	LT-1A
	1200	326TSC	89.5	1.00	230/460	MD6S30TSC61	LM03866		502	4516	LT-1A
40	1800	324TC	90.2	1.00	230/460	MD4S40TCTMC61	LM03674		440	4062	LT-1A
	1800	324TSC	90.2	1.00	230/460	MD4S40TSC61	LM03675		440	4061	LT-1A
	1200	364TC	91.7	1.00	230/460	MD6S40TCTMC61	LM03706		679	5709	LT-1A
	1200	364TSC	91.7	1.00	230/460	MD6S40TSC61	LM03707		679	5709	LT-1A
50	1800	326TC	91.7	1.00	230/460	MD4S50TCTMC61	LM03687		496	4282	LT-1A
	1800	326TSC	91.7	1.00	230/460	MD4S50TSC61Y	LM27884		496	4282	LT-1A
	1200	365TC	91.7	1.00	230/460	MD6S50TCTMC61	LM03725		714	7330	LT-1A
	1200	365TSC	91.7	1.00	230/460	MD6S50TSC61	LM03726		714	7330	LT-1A
60	1800	364TC	92.4	1.00	230/460	MD4S60TCTMC61	LM03714		651	5904	LT-1A
	1800	364TSC	92.4	1.00	230/460	MD4S60TSC61	LM03715		651	5905	LT-1A
	1200	404TC	92.4	1.00	230/460	MD6S60TCTMC61	LM03787		887	8757	LT-1A
	1200	404TSC	92.4	1.00	230/460	MD6S60TSC61	LM03788		887	8758	LT-1A
75	1800	365TC	91.7	1.00	230/460	MD4S75TCTMC61	LM03735		721	6221	LT-1A
	1800	365TSC	91.7	1.00	230/460	MD4S75TSC61	LM03736		721	6221	LT-1A
	1200	405TC	92.4	1.00	230/460	MD6S75TCTMC61	LM03805		980	8866	LT-1A
	1200	405TSC	92.4	1.00	230/460	MD6S75TSC61	LM03806		980	8866	LT-1A
100	1800	404TC	93.0	1.00	230/460	MD4S100TCTMC61	LM10741		897	8054	LT-1A
	1800	404TSC	93.0	1.00	230/460	MD4S100TSC61	LM03795		897	8054	LT-1A
	1200	444TC	94.1	1.00	460	MD6S100TCTMC64PY	LM03757		1234	12104	LT-1A
	1200	444TSC	94.1	1.00	460	MD6S100TSC64PY	LM03758		1234	12105	LT-1A
125	1800	405TC	93.0	1.00	230/460	SE4S125TCTMC61	LM10744		1004	9022	LT-1A
	1800	405TSC	93.0	1.00	230/460	MD4S125TSC61	LM03813		1004	9023	LT-1A
	1200	445TC	94.1	1.00	460	MD6S125TCTMC64PY	LM10745		1419	13925	LT-1A
	1200	445TSC	94.1	1.00	460	MD6S125TSC64PY	LM03771		1419	13925	LT-1A
150	1800	444TC	93.6	1.00	460	MD4S150TCTMC64PY	LM10748		1272	11982	LT-1A
	1800	444TSC	93.6	1.00	460	MD4S150TSC64PY	LM03764		1272	11982	LT-1A
200	1800	445TC	94.5	1.00	460	MD4S200TCTMC64PY	LM10749		1482	14345	LT-1A
	1800	445TSC	94.5	1.00	460	MD4S200TSC64PY	LM03777		1482	14345	LT-1A
250	1800	445TC	93.6	1.00	460	MD4S250TCTMC64PY	LM10750		1600	14938	LT-1A
	1800	445TSC	93.6	1.00	460	MD4S250TSC64PY	LM10751		1600	14938	LT-1A

Prices and data subject to change without notice.

Product numbers in red are STOCK items.



ODP & TEFC 200/400 VOLT MOTORS

3-PHASE FOOT MOUNT & C-FACE 1/3 TO 125 HP

Features:

- Perfect choice for 208 V systems
- Premium Insulation Systems
56 frames: Class B
143T-445T frames: Class F
- Continuous Duty
- Y-delta start capability frames 284T and larger
- Warranty:
(sine-wave power & inverter power) –
48 & 56 frames: 18 months from date of manufacture and 12 months from date of installation which ever period expires first.
143T-256T frames: 30 months from date of manufacture and 24 months from date of installation which ever period expires first.
(sine-wave power) –
284T-449T frames: 42 months from date of manufacture and 36 months from date of installation which ever period expires first.
- Made in U.S.A.



Applications:

ODP: Ideally suited for use where water and dust exposure is minimal.
TEFC: Ideally suited for use where exposure to water, dust and corrosives exists.
Both for use on pumps, compressors, fans, blowers, conveyors, direct-coupled or belt driven applications.

Supporting Information:

Dimensions and Performance: contact your local sales office.

ODP • FOOT MOUNT

HP	SYN RPM	Frame	FL Nom Eff (%)	SF	Volts	Model Number	Product Number	Notes (see page 306)	Approx Shpg Wght (lbs)	List Price	Mult Sym
1/3	1800	56	67.0	1.35	200/400	SRD4S0.33T62	TBD		-	\$249	LT-1A
1/2	1800	56	70.0	1.25	200/400	SRD4S0.5T62	LM24156		17	287	LT-1A
	1200	56	74.0	1.25	200/400	SRD6S0.5T62	LM25599		-	411	LT-1A
3/4	3600	56	72.0	1.25	200/400	RD2S0.75T62	LM05332		26	275	LT-1A
	1800	56	75.5	1.25	200/400	SRD4S0.75T62	LM24163		23	307	LT-1A
	1200	56	72.0	1.15	200/400	RD6S0.75T62	LM05345		26	417	LT-1A
1	3600	56	75.5	1.25	200/400	RD2S1T62	LM05342		26	318	LT-1A
	1800	143T	77.0	1.15	200/400	SD4S1T62	LM05378		28	347	LT-1A
	1200	145T	72.0	1.15	200/400	SD6S1T62	LM05388		34	418	LT-1A
1 1/2	3600	143T	77.0	1.15	200/400	SD2S1.5T62	LM05383		28	364	LT-1A
	1800	145T	80.0	1.15	200/400	SD4S1.5T62	LM05393		35	364	LT-1A
	1200	182T	81.5	1.15	200/400	SSD6S1.5T62	TBD		-	511	LT-1A
2	3600	145T	80.0	1.15	200/400	SSD2S2T62	TBD		-	423	LT-1A
	1800	145T	84.0	1.15	200/400	SSD4S2T62	LM24147		44	372	LT-1A
	1200	184T	85.5	1.15	200/400	SSD6S2T62	TBD		-	494	LT-1A
3	3600	145T	77.0	1.15	200/400	SD2S3T62	LM05409		36	449	LT-1A
	1800	182T	84.0	1.15	200/400	SSD4S3T62	LM24212		-	424	LT-1A
	1200	213T	78.5	1.15	200/400	SD6S3T62	LM05463		99	673	LT-1A
5	3600	182T	80.0	1.15	200/400	SD2S5T62	LM05427		58	540	LT-1A
	1800	184T	85.5	1.15	200/400	SSD4S5T62	LM24218		-	489	LT-1A
	1200	215T	82.5	1.15	200/400	SD6S5T62	LM05488		115	822	LT-1A
7 1/2	3600	184T	84.5	1.15	200/400	SSD2S7.5T62	LM25470		-	620	LT-1A
	1800	213T	84.0	1.15	200/400	SSD4S7.5T62	LM24220		103	697	LT-1A
	1200	254T	88.5	1.15	200/400	SSD6S7.5T62	TBD		-	1177	LT-1A
10	3600	213T	85.5	1.15	200/400	SSD2S10T62	TBD		-	830	LT-1A
	1800	215T	87.5	1.15	200/400	SSD4S10T62	LM24215		118	822	LT-1A
	1200	256T	90.2	1.15	200/400	SSD6S10T62	TBD		-	1401	LT-1A

Prices and data subject to change without notice.

Product numbers in red are STOCK items.

ODP & TEFC 200/400 VOLT MOTORS



**3-PHASE
FOOT MOUNT & C-FACE
1/3 TO 125 HP**

ODP • FOOT MOUNT (cont'd)

HP	SYN RPM	Frame	FL Nom Eff (%)	SF	Volts	Model Number	Product Number	Notes (see page 306)	Approx Shpg Wght (lbs)	List Price	Mult Sym
15	3600	215T	86.5	1.15	200/400	SSD2S15T62	TBD		-	\$954	LT-1A
	1800	254T	87.5	1.15	200/400	SSD4S15T62	LM24216		164	1170	LT-1A
20	3600	254T	88.5	1.15	200/400	SSD2S20T62	LM05525		-	1429	LT-1A
	1800	256T	88.5	1.15	200/400	SSD4S20T62	LM24217		197	1396	LT-1A
25	3600	256T	89.5	1.15	200/400	SSD2S25T62	LM26181		-	1613	LT-1A
	1800	284T	87.5	1.15	200/400	SD4S25T62	LM04125		278	1792	LT-1A
30	3600	284TS	82.5	1.15	200/400	SD2S30TS62	LM04136		282	2285	LT-1A
	1800	286T	87.5	1.15	200/400	SD4S30T62	LM04142		319	2255	LT-1A
40	3600	286TS	82.5	1.15	200/400	SD2S40TS62	LM04152		325	2611	LT-1A
	1800	324T	90.2	1.15	200/400	SD4S40T62	LM04278		378	2521	LT-1A
50	3600	324TS	85.5	1.15	200/400	SD2S50TS62	LM04288		410	3531	LT-1A
	1800	326T	91.7	1.15	200/400	SD4S50T62	LM04292		444	2901	LT-1A
60	3600	326TS	89.5	1.15	200/400	SD2S60TS62	LM04299		462	3835	LT-1A
	1800	364T	91.7	1.15	200/400	SD4S60T62	LM04416		575	3958	LT-1A
75	3600	364TS	88.5	1.15	200/400	SD2S75TS62	LM04421		618	5049	LT-1A
	1800	365T	93.0	1.15	200/400	SD4S75T62	LM04425		660	4139	LT-1A
100	3600	365TS	88.5	1.15	200/400	SD2S100TS62	LM04431		680	5745	LT-1A
	1800	404T	93.6	1.15	200/400	SD4S100T62	LM04604		767	5502	LT-1A
125	1800	405T	93.6	1.15	200/400	SD4S125T62	LM04705		910	6118	LT-1A

ODP • C-FACE WITH FEET

HP	SYN RPM	Frame	FL Nom Eff (%)	SF	Volts	Model Number	Product Number	Notes (see page 306)	Approx Shpg Wght (lbs)	List Price	Mult Sym
1/2	1800	56C	74.0	1.25	200/400	RD4S0.5TC62	LM05329		31	\$325	LT-1A
3/4	1800	G56C	77.0	1.25	200/400	RD4S0.75TC62	LM05339		31	347	LT-1A
1	1800	143TC	-	1.15	200/400	SSD4S1TC62	TBD		-	385	LT-1A
	1200	56HC	72.0	1.15	200/400	RD6S1TC62	LM05356		39	485	LT-1A
1 1/2	3600	143TC	77.0	1.15	200/400	SD2S1.5TC62	LM05384		33	402	LT-1A
	1800	145TC	78.5	1.15	200/400	SD4S1.5TC62	LM05394		40	402	LT-1A
2	3600	145TC	77.0	1.15	200/400	SD2S2TC62	LM05405		40	461	LT-1A
	1800	145TC	-	1.15	200/400	SSD4S2TC62	TBD		-	410	LT-1A
	1200	184TC	80.0	1.15	200/400	SD6S2TC62	LM05440		73	550	LT-1A
3	3600	145TC	-	1.15	200/400	SSD2S3TC62	TBD		-	488	LT-1A
	1800	182TC	84.0	1.15	200/400	SD4S3TC62	LM05422		67	482	LT-1A
5	3600	182TC	-	1.15	200/400	SSD2S5TC62	TBD		-	597	LT-1A
	1800	184TC	-	1.15	200/400	SSD4S5TC62	TBD		-	546	LT-1A
7 1/2	3600	184TC	81.5	1.15	200/400	SD2S7.5TC62	LM05454		76	678	LT-1A
	1800	213TC	85.5	1.15	200/400	SD4S7.5TC62	LM05471		126	764	LT-1A
10	3600	213TC	-	1.15	200/400	SSD2S10TC62	TBD		-	896	LT-1A
	1800	215TC	86.5	1.15	200/400	SD4S10TC62	LM05496		134	888	LT-1A
15	3600	215TC	-	1.15	200/400	SSD2S15TC62	TBD		-	1021	LT-1A
	1800	254TC	-	1.15	200/400	SSD4S15TC62	LM26039		-	1256	LT-1A
20	3600	254TC	-	1.15	200/400	SSD2S20TC62	TBD		-	1517	LT-1A
	1800	256TC	89.5	1.15	200/400	SD4S20TC62	LM05546		216	1484	LT-1A

Prices and data subject to change without notice.

Product numbers in red are STOCK items.



ODP & TEFC 200/400 VOLT MOTORS

3-PHASE
FOOT MOUNT & C-FACE
1/3 TO 125 HP

TEFC • FOOT MOUNT

HP	SYN RPM	Frame	FL Nom Eff (%)	SF	Volts	Model Number	Product Number	Notes (see page 306)	Approx Shpg Wght (lbs)	List Price	Mult Sym
0.33	1800	56	72.0	1.15	200/400	RF4S0.33T62	LM02676		28	\$284	LT-1A
0.5	3600	56	-	1.15	200/400	SRF2S0.5T62	TBD		TBD	269	LT-1A
	1800	56	74.0	1.15	200/400	RF4S0.5T62	LM02682		28	348	LT-1A
	1200	56	70.0	1.15	200/400	RF6S0.5T62	LM02679		28	440	LT-1A
0.75	3600	56	74.0	1.15	200/400	RF2S0.75T62	LM02694		28	295	LT-1A
	3600	56	74.0	1.15	200/400	RF4S0.75T62	LM02691		TBD	356	LT-1A
	1200	G56	74.0	1.15	200/400	RF6S0.75T62	LM02688		28	449	LT-1A
1	3600	56	75.5	1.15	200/400	RF2S1T62	LM02703		28	356	LT-1A
	1800	G56	78.5	1.15	200/400	RF4S1T62	LM02700		28	372	LT-1A
	1800	143T	82.5	1.15	200/400	SS4S1T62	LM24358		TBD	391	LT-1A
	1200	56H	72.0	1.15	200/400	RF6S1T62	LM02697		36	455	LT-1A
	1200	145T	80.0	1.15	200/400	SSF6S1T62	LM24357		TBD	476	LT-1A
	900	182T	70.0	1.15	200/400	AF8S1T62	LM01365		64	795	LT-1A
1.5	3600	143T	80.0	1.15	200/400	SSF2S1.5T62	LM25221		TBD	411	LT-1A
	1800	56H	80.0	1.15	200/400	RF4S1.5T62	LM02706		36	391	LT-1A
	1800	145T	80.0	1.15	200/400	SF4S1.5T62	LM02834		40	424	LT-1A
	1200	182T	77.0	1.15	200/400	AF6S1.5T62	LM01272		68	532	LT-1A
	900	184T	72.0	1.15	200/400	AF8S1.5T62	LM01386		71	942	LT-1A
2	3600	56H	78.5	1.15	200/400	RF2S2T62	LM02715		36	432	LT-1A
	3600	145T	-	1.15	200/400	SSF2S2T62	TBD		TBD	432	LT-1A
	1800	56H	80.0	1.15	200/400	RF4S2T62	LM02712		36	462	LT-1A
	1800	145T	84.0	1.15	200/400	SSF4S2T62	LM24359	A	TBD	407	LT-1A
	1200	184T	78.5	1.15	200/400	AF6S2T62	LM01349		72	737	LT-1A
3	900	213T	75.5	1.15	200/400	AF8S2T62	LM01875		101	1117	LT-1A
	3600	182T	80.0	1.15	200/400	AF2S3T62	LM01346		68	558	LT-1A
	1800	182T	82.5	1.15	200/400	AF4S3T62	LM01285		72	510	LT-1A
	1200	213T	77.0	1.15	200/400	AF6S3T62	LM01516		95	788	LT-1A
5	900	215T	77.0	1.15	200/400	AF8S3T62	LM01924		119	1184	LT-1A
	3600	184T	84.0	1.15	200/400	AF2S5T62	LM01352		74	674	LT-1A
	1800	184T	82.5	1.15	200/400	AF4S5T62	LM01324		72	580	LT-1A
	1200	215T	81.5	1.15	200/400	AF6S5T62	LM01546		116	919	LT-1A
7.5	900	254T	81.5	1.15	200/400	AF8S5T62	LM01562		161	1662	LT-1A
	3600	213T	80.0	1.15	200/400	AF2S7.5T62	LM01523		106	905	LT-1A
	1800	213T	81.5	1.15	200/400	AF4S7.5T62	LM01451		104	817	LT-1A
	1200	254T	82.5	1.15	200/400	AF6S7.5T62	LM01663		157	1414	LT-1A
10	900	256T	82.5	1.15	200/400	AF8S7.5T62	LM01699		195	1967	LT-1A
	3600	215T	81.5	1.15	200/400	AF2S10T62	LM01543		118	1099	LT-1A
	1800	215T	84.0	1.15	200/400	AF4S10T62	LM01486		119	896	LT-1A
15	1200	256T	84.0	1.15	200/400	AF6S10T62	LM01666		198	1605	LT-1A
	3600	254T	82.5	1.15	200/400	AF2S15T62	LM01608		162	1526	LT-1A
	1800	254T	85.5	1.15	200/400	AF4S15T62	LM01577		148	1440	LT-1A
20	3600	256T	85.5	1.15	200/400	AF2S20T62	LM01732		197	1774	LT-1A
	1800	256T	86.5	1.15	200/400	AF4S20T62	LM01626		194	1636	LT-1A
25	1200	324T	90.2	1.15	200/400	SF6H25T62	LM08447		504	3770	LT-1A

Prices and data subject to change without notice.

Product numbers in red are STOCK items.

ODP & TEFC 200/400 VOLT MOTORS



3-PHASE FOOT MOUNT & C-FACE 1/3 TO 125 HP

TEFC • FOOT MOUNT (cont'd)

HP	SYN RPM	Frame	FL Nom Eff (%)	SF	Volts	Model Number	Product Number	Notes (see page 306)	Approx Shpg Wght (lbs)	List Price	Mult Sym
30	1200	326T	91.0	1.15	200/400	SF6H30T62	LM02157		542	\$4100	LT-1A
40	3600	324TS	90.2	1.15	200/400	SF2H40TS62	LM02323		508	3451	LT-1A
	1800	324T	91.7	1.15	200/400	SF4H40T62	LM02005		496	3253	LT-1A
	1200	364T	91.7	1.15	200/400	SF6H40T62	LM02578		682	4986	LT-1A
	3600	326TS	91.0	1.15	200/400	SF2H50TS62	LM02159		556	4276	LT-1A
50	1800	326T	92.4	1.15	200/400	SF4H50T62	LM02010		552	3691	LT-1A
	1200	365T	91.7	1.15	200/400	SF6H50T62	LM02460		764	5581	LT-1A
	3600	364TS	91.7	1.15	200/400	SF2H60TS62	LM02579		698	6197	LT-1A
60	1800	364T	93.0	1.15	200/400	SF4H60T62	LM02386		682	5120	LT-1A
	3600	365TS	92.4	1.15	200/400	SF2H75TS62	LM02921		768	6739	LT-1A
75	1800	365T	93.0	1.15	200/400	SF4H75T62	LM02394		755	5668	LT-1A
	100	1800	405T	93.6	1.15	200/400	SF4H100T62	LM02444		986	7669

TEFC • C-FACE WITH FEET

HP	SYN RPM	Frame	FL Nom Eff (%)	SF	Volts	Model Number	Product Number	Notes (see page 306)	Approx Shpg Wght (lbs)	List Price	Mult Sym
1/3	1800	56C	-	1.15	200/400	SRF4S0.33TC62	TBD		-	\$337	LT-1A
1/2	3600	56C	70.0	1.15	200/400	RF2S0.5TC62	LM02686		33	307	LT-1A
	1800	56C	74.0	1.15	200/400	RF4S0.5TC62	LM02683		33	386	LT-1A
	1200	56C	-	1.15	200/400	SRF6S0.5TC62	TBD		-	479	LT-1A
3/4	3600	56C	-	1.15	200/400	SRF2S0.75TC62	TBD		-	333	LT-1A
	1800	56C	75.5	1.15	200/400	SRF4S0.75TC62	LM25927		-	394	LT-1A
	1200	56C	-	1.15	200/400	SRF6S0.75TC62	TBD		-	488	LT-1A
1	3600	56C	74.0	1.15	200/400	SRF2S1TC62	LM25539		-	394	LT-1A
	1800	56C	77.0	1.15	200/400	SRF4S1TC62	LM26028		-	410	LT-1A
	1800	143TC	-	1.15	200/400	SSF4S1TC62	TBD		-	410	LT-1A
1 1/2	1800	56HC	80.0	1.15	200/400	RF4S1.5TC62	LM02707		41	462	LT-1A
	1800	145TC	-	1.15	200/400	SSF4S1.5TC62	TBD		-	428	LT-1A
2	1800	56HC	80.0	1.15	200/400	RF4S2TC62	LM02713		41	501	LT-1A
	1800	145TC	-	1.15	200/400	SSF4S2TC62	LM24294	A	50	504	LT-1A
3	1800	182TC	82.5	1.15	200/400	AF4S3TC62	LM01288		72	567	LT-1A
5	1800	184TC	84.0	1.15	200/400	AF4S5TC62	LM01327		76	637	LT-1A
7 1/2	1800	213TC	81.5	1.15	200/400	AF4S7.5TC62	LM01454		110	877	LT-1A
10	1800	215TC	84.0	1.15	200/400	AF4S10TC62	LM01489		125	964	LT-1A
15	1800	254TC	85.5	1.15	200/400	AF4S15TC62	LM01579		156	1477	LT-1A
20	1800	256TC	86.5	1.15	200/400	AF4S20TC62	LM01628		202	1726	LT-1A
40	1800	324TC	91.7	1.15	200/400	SF4H40TC62	LM02009		506	3509	LT-1A
50	1800	326TC	92.4	1.15	200/400	SF4H50TC62	LM02013		562	3894	LT-1A

Prices and data subject to change without notice.

Product numbers in red are STOCK items.



TABLE OF CONTENTS FACTORY OPTIONS

Option	Page
Additional Lead Length	.275
Bearings – Double Sealed (Both Ends)	.275
Bearings – Insulated (Both Ends)	.275
Bearings – Roller (Drive End)	.275
Brakes	.276-277
Brake Provisions	.277
CE Factory Option	.278
C-Face Normal Drive End	.278
C-Face Both Ends of Double Shaft	.279
C-Face Opposite Normal Drive End of Double Shaft	.279
Close-Coupled Pump Motors – NEMA JM and JP	.279
Connections	.280
Design C – High Starting Torque	.279
Design D – High Slip (5-8%, 8-13%)	.279
D-Flange – Normal Drive End	.280
Feedback Devices –	
Encoders	.281
Fire Pump Motors	.281
Frequency	.281
Fungus Proofing	.281
IEEE 841 Specification	.282
Insulation – Class H	.282
NEMA Mounting Variations –	
Floor: F2	.283
F3	.283
Wall: W1 to W8	.283
W9 to W12	.283
Ceiling: C1 to C2	.283
C3	.283

Option	Page
Nameplates – Special Information	.283
No Feet – Round Body (Footless)	.284
Paint – Colors other than Standard	.284
Precision Balance	.284
Shafts – Single End (T or TS; U or US) – NEMA	.285
Shafts – Double End Extension – NEMA	.285
Shafts – Single or Double End - Special Dimensions	.286
Software Data	.287
Space Heaters	.288
Terminal Blocks	.288
Terminal Box –	
Omit	.288
Resized	.288
12 O’Clock Position	.289
Temperature Sensors – Bearing	
RTD’s	.289
Thermocouple	.289-290
Test Report	.290-291
Thermal Sensors – Winding	
RTD’s	.289
Thermocouple	.290
Thermal Protection – Winding	
Thermistors	.292
Thermostats	.292
Two Speed	.293
Vertical Solid Shaft (P-Base)	.293
60 Hz Voltages (3-PH) Other Than Standard	.294
50 Hz Voltages (3-PH) Other Than Standard	.281

For field kits and accessories contact your local sales office.

Prices and data subject to change without notice.

ADDITIONAL LEAD LENGTH (from 16 to 32 inches, in 4 inch increments)

AVAILABLE ON ALL MOTORS except those with NN in NOTES column and XP. Aeration Fan and Crop Dryer motors have extended lead lengths as standard.

HOW TO ORDER EXAMPLE: Modify the root Model Number SD 4 P 25 TC 61 **L16** or use Generic Description.

Additional lead length in inches follows suffix letter "L". For example, L16 adds 16 inches to normal lead length.

Option	Model Number Symbol	List Price (\$) Addition - Frame Size Family										
		56	140	180	210	250	280	320	360	400	440	5000
Additional Lead Length – 16 to 32 inches (available in 4 inch increments)*	L16, L20, L24, L28, or L32	\$30	\$30	\$40	\$48	\$53	\$75	\$85	\$119	\$160	\$199	Contact Sales Office

* Contact your local sales office for longer lengths.

BEARINGS - DOUBLE SEALED (BOTH ENDS)

Also available as a Mod. See LEESON/Lincoln Modification section.

AVAILABLE ON ALL MOTORS except those with NN in NOTES column. Frame sizes 48, 56 and 143T-145T, Agriculture/Farm Duty, Wash-Thru™ and Washdown motors typically have double sealed bearings as standard.

HOW TO ORDER EXAMPLE: Modify the root Model Number SD 4 P 50 T 61Y **MB6** or use Generic Description.

Option	Model Number Symbol	List Price (\$) Addition - Frame Size Family										
		56	140	180	210	250	280	320	360	400	440	5000
Bearings – Double Sealed (Both Ends)	MB6	Standard	\$21	\$40	\$45	\$59	\$72	\$94	\$168	Contact Sales Office		

BEARING CURRENT PROTECTION FOR INVERTER-FED MOTORS

(Contact your local sales office for Grounding Provisions, Insulated Bearing and Shaft Grounding Brush)

Today's inverters produce a common mode voltage that can damage motor bearings. Newer three level control inverters significantly reduce this voltage but do not eliminate it. To protect a motor from this voltage, both bearings must be insulated or the motor shaft must be effectively grounded. Grounding the motor shaft bleeds the voltage to zero and will help protect the bearings of the connected load. The chart below lists Lincoln Motors' current practice for bearing protection for the standard motor product offering. Special application motors can deviate from this practice.

Installation Site	Model Frames	Shaft Grounding Brush			Insulated Bearings		
		Std	Optional	Qty	Std	Optional	Qty
Non-Hazardous Locations	48-405T		X	1	and/or	X	2
	444T-5011& 6811	X		1	and/or	X	2
	505-5011, 685 & 6811 Bar Rotor	X		1	and/or	X	1
	449T-5811 Form Wound	X		1	and/or	X	1
Division I or II	48-5011 & 6811	Not Permitted			Not Permitted		

UL and CSA prohibit the installation of shaft grounding brushes or insulated bearings on Hazardous Locations motors for use in Division I or Division II locations. For these installations shaft voltage mitigation techniques outside the motor must be employed. Inverter output-side R-C filters with ungrounded inverter input circuits are effective in reducing shaft voltages and may be used where permitted by the NEC. Certain motor construction designs may prohibit the installation of a shaft grounding brush or insulated bearing. In that event, no mitigation techniques can be employed within Lincoln Motors' control. The customer is then responsible for alternative protective options, such as special grounding or VFD output-side filters.

Grounding brushes must be maintained per the instructions on the motor decal. Bearing failures caused by inverter-source bearing currents are not covered under warranty.

BEARINGS – ROLLER (DRIVE END)

AVAILABLE ON MOTORS in frame sizes 284T and larger except those with NN in NOTES column. A drive end roller bearing is standard on Crusher Duty motors.

Option	Model Number Symbol	List Price (\$) Addition - Frame Size Family											
		56	140	180	210	250	280	320	360	400	444-445	447-510	5000
Bearings – Roller (Drive End)	RB						\$410	\$431	\$431	\$513	\$977	\$1150	Contact Sales Office

Prices and data subject to change without notice.

BRAKES

What is a Brake Motor?

The purpose of a brake is to stop and hold a load (absorb the kinetic energy or hold the potential energy). A spring-set disc brake is an electromechanical friction device that is spring engaged and electrically released. This style is commonly referred to as a “safety” or “fail-safe” brake since the brake mechanism automatically engages when power to the brake is turned off. A brake motor results from mounting a brake to an electric motor. It is only used in direct-coupled applications.

A brakeless-brake motor has the features necessary to mount a brake including:

- a shaft extension on opposite drive end (O.D.E.); ie, NEMA double end shaft
- C-Face bracket on the O.D.E.

Determining Brake Torque

Brake torque rating (size) is normally stated as nominal static torque and is expressed in pound-foot (lb-ft). The customer typically specifies the brake size required for an application. If the customer does not, the standard practice is to quote a brake with torque capability at least equal to 150% of the motor’s full load torque, a brake service factor of 1.5. For service factors below 1.4, contact your local sales office for review.

Brake Torque Values for 60 Hz, Design B Motors

Multiply the motor’s rated HP by the appropriate value listed below to forecast the proper brake size in lb-ft.

Motor Syn RPM	3600	1800	1200	900
Static	1.5	3.0	4.5	6.0
Dynamic	2.25	4.5	6.7	9.0

These Brake Torque Values are intended as a rule-of-thumb. Some applications such as frequent stops, high inertia loads and overhauling loads (loads which change elevation or height) require a more detailed analysis.

Manually-Adjusted versus Self-Adjusting Brakes

On manually-adjusted brakes, the user must periodically adjust the pressure pins in the brake to compensate for lining wear. The self-adjusting friction brake has an internal clutch that automatically adjusts the brake’s solenoid air gap to compensate for wear of the friction disks. Manually-adjusted brakes are less expensive, but are only available in the smaller torque ratings.

Brake Enclosures

Stearns® brakes are supplied unless otherwise specified. They have a one (1) year warranty and are made in the U.S.A. Request the Spring-Set Disc Brake catalog (Catalog No. 200) from Stearns by phone 414-272-1100 or fax 414-277-4364. Web: www.rexnord.com

Standard: This enclosure is the normal selection for ODP and totally-enclosed, general purpose and hostile duty motors. The brake is enclosed, but not sealed and carries a NEMA 2 (IP 23) enclosure protection rating. The housing is stamped steel and the endplate is die cast aluminum for brakes with torque ratings less than 125 lb-ft. For brake torques 125 lb-ft and higher, the housing and endplate are cast iron. A manual release knob is standard.

Cast Iron: These brakes are similar to “Standard” except they have a cast iron end plate.

Dust-Tight Waterproof (DTWP): This enclosure adds a seal between the endplate and hub, housing to endplate and at the manual release. A drain plug is commonly provided. Enclosure protection rating is NEMA 4 (IP 54). This brake is mostly used for outdoor installations and in moist, abrasive or dusty environments. A manual release knob is standard. A full cast iron DTWP brake is available on special request for some torque ratings.

General Information - Pricing Guidelines

Standard brake voltages are listed in “Note 2” page 277. Other voltages require “Special Voltage” price addition. Unless otherwise specified, a brake with the same voltage and frequency rating as the motor will be furnished.

Brakes for vertically mounted motors may require factory modification. The direction of motor mounting, shaft-up or shaft-down, must be specified. See page 277 for List Price Addition.

Standard brake insulation is Class B with an ambient rating of 40°C. Operation in higher temperatures requires the Class H Insulation option. See page 277 for List Price Addition.

Two separate power conduits, one for the motor and one for the brake, are required.

Contact your local sales office if the system inertia is large or the required number of stops per minute exceed four.

In cases where a small motor and a large brake are combined (ie. a 182T frame with self-adjusting brake) the bottom of the brake may be below the motor feet. Check brake dimensions when designing the motor.

Contact your local sales office for brakes and options not listed.

Stearns is a registered trademark of Stearns Division, Rexnord Corporation. Prices and data subject to change without notice.

BRAKES AND BRAKE PROVISIONS

Motor HP	Static Torque Rating of Brake (lb-ft) Brakemotor Shaft speed (RPM)						
	700	900	1200	1500	1800	3000	3600
1/6	3	1.5	1.5	1.5	0.75	0.5	0.5
1/4	3	3	3	1.5	1.5	0.75	0.5
1/3	6	3	3	3	1.5	1.5	0.75
1/2	6	6	3	3	3	1.5	1.5
3/4	10	6	6	6	6	3	3
1	15	10	6	6	6	3	3
1 1/2	20	15	10	10	10	6	3
2	25	20	15	10	10	6	6
3	35	25	20	15	15	10	6
5	75	50	35	25	20	15	10
7 1/2	105	75	50	50	35	25	15
10	105	105	75	50	50	25	25
15	175	125	105	75	75	50	35
20	230	175	125	105	105	50	50
25	330	230	175	125	105	75	50
30	330	330	230	175	125	75	75
40	440	330	330	230	175	105	105
50	550	440	330	330	230	—	—
60	750	550	440	330	330	—	—
75	1000	750	550	440	330	—	—
100	—	1000	750	500	440	—	—
125	—	1000	1000	750	500	—	—
150	—	—	1000	750	750	—	—
200	—	—	—	1000	1000	—	—
250	—	—	—	—	1000	—	—

Brake Torque (lb-ft) Continuous	Brake Enclosures – List Prices (Note 1)						Brake Options – List Price Additions			
	Stearns® Standard NEMA 2 (IP 23)		Stearns® Cast Iron NEMA 2 (IP 23)		Stearns® DTWP NEMA 4 (IP 54)		Special Voltage (Note 3)	Vertical Mount – Self Adjusting Type Only	Class H Insulation	Space Heaters 115V or 230
	Manually Adjusted	Self-Adjusting	Manually Adjusted	Self-Adjusting	Manually Adjusted	Self-Adjusting				
3	\$614	-	\$1079	-	\$806	-	\$172	-	\$137	
6	717	\$962	1147	\$1852	902	\$1250	172	\$112	166	
10	855	962	1236	1852	1042	1250	172	112	166	
15	983	1256	1686	2363	1167	1885	172	112	166	
25	1243	1420	1872	2650	1434	2212	172	112	166	
35	-	1625	-	2848	-	2445	172	112	166	
50	-	1994	-	3224	-	2869	172	124	166	
75	-	2199	-	3578	-	3346	172	124	166	
105	-	2861	-	3838	-	3742	172	166	166	
125	-	7567	-	Note 2	-	8809	246	280	342	
175	-	7785	-	Note 2	-	9083	246	280	342	
230	-	8359	-	Note 2	-	9766	246	355	342	
330	-	9233	-	Note 2	-	10831	246	355	342	
440	-	10339	-	Note 2	-	11746	246	601	342	
500	-	18609	-	Note 2	-	17306	246	792	342	
550	-	11527	-	Note 2	-	13413	246	601	342	
750	-	17073	-	Note 2	-	18904	246	792	342	
1000	-	18680	-	Note 2	-	20512	246	792	342	

Brake Provisions Only Add C-Face - Opposite Drive and Double Shaft Extension to Brake Price - See pages 197 & 285.

Note 1: Brake prices **DO NOT** include Double Shaft and Opposite Drive End C-Face - See pages 279 & 285.

Note 2: Use "Stearns Standard". Brakes with 125 lb-ft of torque capability or more are cast iron as standard.

Note 3: Standard brake voltages (single phase) are as follows: **60 Hz** – 115, 200, 230, 460, 575, 115/208-230, 200/400 & 208-230/460 V; **50 Hz** – 110, 190, 220, 380, 415, 110/220 & 190/380 V.

Stearns is a registered trademark of Stearns Division, Rexnord Corporation.

Prices and data subject to change without notice.



FACTORY OPTIONS

CE - FACTORY OPTION Also available as a Mod. See LEESON/Lincoln Modification section.

HOW TO ORDER EXAMPLE: Modify the root Model Number SD 4 P 100 T 61Y **AP1** or use Generic Description.

Available on motors having a Model Number which begins with...	Motor Efficiency Code(s)	Model Number Symbol	List Price (\$) Addition – Frame Size Family											
			56H	140	180	210	250	280	320	360	400	444/445	447/449	
CCD, SRD, SSD, SD SRF & SRN	S, H	AP1	\$99	\$99	\$99	\$143	\$143							
AF, AAF & SF (also includes AA, AB, AN, SB*)	P, B	AP1		99	99	99	99	\$106	\$106	\$328	\$529	\$683	\$683	
	S, H	AP1		99	99	143	143	143	143	161	161	490		
	P, B	AP1		99	99	99	99	143	143	361	161	217	591	
CCS and CCF	P, B	AP1		99	99	99	99	143	143	161	161	217	591	
MD and SE	S, G	AP1						131	142	142	409	574		

*Blower motor on TEBC CTAC® models, 284T frames and larger, is not CE compliant.

AB, AF, AAF, AN, SB, SF and CCS models qualify to IP54.

RD, SD, MD and SE models qualify to IP22.

Contact your local sales office for information on CCD, SPD, SRD and SSD models.

Useable voltage range is 380 to 575V (for other voltages, contact your local sales office). Price includes special nameplate with appropriate IEC data and CE mark, terminal strip suitable for six connections, and grounding lug. Some kits also include a larger than standard terminal box.

Copies of Lincoln's Declaration of Conformity for the Low Voltage Directive and Manufacturer's Declaration for the Machinery Directive are available on request.

Contact your local sales office for CE kit.

C-FACE - NORMAL DRIVE END (Factory Installed, NEMA Dimensions) Also available as a Mod. See LEESON/Lincoln Modification section.

AVAILABLE ON ALL MOTORS EXCEPT Crusher Duty, Close-Coupled Pump, Resilient Mount, certain Agriculture/Farm Duty and CCS models with B efficiency codes. Also excluded are motors with NN in NOTES column unless individually listed on pages 184-273.

HOW TO ORDER EXAMPLE: Modify the root Model Number CCF 4 P 75 T **C** 6Y or use Generic Description.

Option	Model Number Symbol	List Price (\$) Addition – Frame Size Family											
		48/56	140	180	210	250	280	320	360	400	444/445	447/449	5000
C-Face – Normal Drive End	C	\$36	\$36	\$54	\$63	\$84	\$145	\$240	\$387	\$459	\$570	\$609	Contact Sales Office

For Footless models see **NO FEET – ROUND BODY** on page 284.

Contact your local sales office for addition of C-face kit.

Prices and data subject to change without notice.

C-FACE - BOTH ENDS OF DOUBLE SHAFT (Factory Installed, NEMA Dimensions)

HOW TO ORDER EXAMPLE: Modify the root Model Number SD 4 P 75 T C TM C 61Y or use Generic Description.

Available on motors having a Model Number which begins with...	Model Number Symbol	List Price (\$) Addition(1) - Frame Size Family											
		56	140	180	210	250	280	320	360	400	444/445	447/449	5000
SD, MD, CCD(4)	C C						\$289	\$482	\$773	\$918	\$1138	\$1220	
CCF, CCN, CCS(3), SRN		\$108	\$108	\$163	\$190	\$249	433	722	1161	1376	1708	1829	
SRD, SRF, SSDS		Contact your local sales office for price and availability											

(1) Price does not include double shaft. See pages 285-286 for double shaft list price additions.
 (3) Not available on Crusher Duty motors and CCS models with B efficiency codes.
 (4) Cast iron construction for 280 frame.

C-FACE - OPPOSITE NORMAL DRIVE END OF DOUBLE SHAFT (Factory Installed, NEMA Dimensions)

HOW TO ORDER EXAMPLE: Modify the root Model Number SD 4 P 75 TS TS C 61Y or use Generic Description.

Available on motors having a Model Number which begins with...	Model Number Symbol	List Price (\$) Addition(1) - Frame Size Family											
		56	140	180	210	250	280	320	360	400	444/445	447/449	5000
SD, MD, CCD(4)	C						\$145	\$240	\$387	\$459	\$570	\$609	
CCF, CCN, CCS(3), SRN		\$72	\$72	\$108	\$127	\$165	289	482	773	918	1138	1220	
SRD, SRF, SSDS		Contact your local sales office for price and availability											

(1) Price does not include double shaft. See pages 285-286 for double shaft list price additions.
 (3) Not available on Crusher Duty motors and CCS models with B efficiency codes.
 (4) 280 cast iron construction.

NEMA DESIGN C – High Starting Torque - 1 to 200 HP

Most Ultimate E® motors and some Signature Series™ motors meet or exceed the NEMA starting torque (locked rotor) requirements for Design C motors. See individual catalog pages for details (look for the letter C in the NOTES column).

NEMA DESIGN D – High Slip (5-8%, 8-13%) - 444T Frame and Larger

Contact your local sales office for price and availability.



FACTORY OPTIONS

CONNECTIONS

PART WINDING START (PWS); WYE – DELTA (Y-D)
 CONNECTIONS Y – WITH NEUTRAL

	List Price (\$) Addition - Frame Size Family											
	140	180	210	250	280	320	360	400	444/448	447/449	500	5000
PWS	\$31	\$48	\$71	\$99	\$119	\$143	\$210	\$330	\$549	\$549	\$549	
YD	31	48	71	99	119	143	210	330	549	549	549	
CONNECTIONS Y – WITH NEUTRAL	31	48	71	99	119	143	210	330	549	549	549	

NOTE: Most 284T-449T motors are designed for Y-delta start. Please check the features section of the catalog motor information page to verify this.

D-FLANGE - NORMAL DRIVE END (Factory Installed)

AVAILABLE ON AF, AAF, CCF, CCN and CCS Model Numbers with G, P and B efficiency codes. Excludes Crusher Duty motors, CCS Model Numbers with B efficiency codes and those motors with NN in NOTES column.

HOW TO ORDER EXAMPLE: Modify the root Model Number CCF 6 P 40 T **D** 61Y or use Generic Description.

Available on motors having a Model Number which begins with...	Model Number Symbol	List Price (\$) Addition – Frame Size Family											
		48/56	140	180	210	250	280	320	360	400	444/445	447/449	5000
CCF, CCN, CCS, CCD	D (Note 2)		\$113	\$157	\$269	\$357	\$432	\$530	\$773	\$1121	\$1205	\$1282	Contact Sales Office

See “NO FEET – ROUND BODY” option on page 283 for footless models.

NOTES:

1. Most Ultimate E® motors with a factory installed D-Flange have a non-NEMA BA dimension (centerline of mounting hole in nearest foot to the shoulder on the drive end shaft). The Ultimate E® motor and NEMA standard values for BA are listed in the following chart. **All other motor and flange mounting dimensions meet NEMA standards.** The BA dimension is irrelevant on footless models.

Frame Sizes	NEMA BA	Ultimate E AF & AAF
182TD-184TD	3.50"	3.75"
213TD-215TD	4.25"	4.25"
254TD-256TD	4.75"	6.25"
284TD-286TD	4.75"	6.25"

2. Some Signature Series cast iron frame motors with factory installed D-Flange have a non-NEMA BA dimension (centerline of mounting hold in nearest foot to the shoulder on the drive end shaft). The Signature Series™ motor and NEMA standard values for BA are listed in the following chart. **All other motor and flange mounting dimensions meet NEMA standards.** The BA dimension is irrelevant on footless models.

Frame Sizes	NEMA T-Frame BA	NEMA U-Frame BA	Signature Series CCF,CCN,CCS,CCD
143-145	2.75"		Contact sales office for value
182-184	3.50"	2.75"	
213-215	4.25"	3.50"	
254-256	4.75"	4.25"	4.25"
284-286	4.75"	4.75"	4.75"

Frame Sizes	NEMA T-Frame BA	NEMA U-Frame BA	Signature Series CCF,CCN,CCS
324-326	5.25"	5.25"	5.25"
364-365	5.88"	5.88"	5.88"
404-405	6.62"	6.62"	6.62"
444-445	7.50"	7.50"	7.50"
447-449	7.50"		7.50"

Prices and data subject to change without notice.

FEEDBACK DEVICES - ENCODERS

Also available as a Mod. See LEESON/Lincoln Modification section.

AVAILABLE ON INVERTER DUTY CTAC® MOTORS THAT HAVE a Model Number ending with Q10

General purpose encoder feedback devices are suitable for all single and bidirectional velocity and position feedback system requirements. Encoder features include quadrature output, separate marker pulse and differential line drivers. Encoders are mounted and wired to terminals in a separate terminal box to preserve signal integrity. Other features include 2.5" mounting flange, 0.375" output shaft with heavy duty bearings, shaft seal, 80°C ambient rating and 5000 RPM maximum speed.

HOW TO ORDER EXAMPLE: Modify the root Q10 Model Number SB 4 H 60 T 61 **Q15D** or use Generic Description.

For Inverter Duty and Vector Duty CTAC® motors having a combination of space heater, thermostats or thermistors, order using Generic Description instead of a Model Number or Product Number.

Encoder Option	PPR Rating	Model Number Symbol Replace Q10 with...	List Price (\$) Addition - Frame Size Family										5000
			56	140	180	210	250	280	320	360	400	440	
Dynapar HS35 Series	100	Q15A	\$1441										Contact Sales Office
	240	Q15B											
	600	Q15C											
	2048	Q15D											
	2500	Q15E											
	4096	Q15F											
BEI HS35 Series	100	Q15L	\$1441										Contact Sales Office
	240	Q15M											
	600	Q15N											
	1024	Q15P											
	2048	Q15R											
	2500	Q15S											

For encoders not listed contact your local sales office.

FIRE PUMP MOTORS - UL Listed (UL1004A) for Fire Pump Applications Per NFPA 20

Contact your local sales office.

FREQUENCY

On a production basis, 50 HZ designs can be furnished for three-phase ratings. Apply the following percentage price adder to the basic modified 60 HZ continuous duty rating of the required enclosure and rpm.

ADD 15% TO THE BASIC MOTOR LIST PRICE

See page 294 for voltage chart and "special voltage pricing."

FUNGUS PROOFING (Tropicalization)

Also available as a Mod. See LEESON/Lincoln Modification section.

AVAILABLE ON ALL MOTORS except those with Class H Insulation option, CCS models with B efficiency codes and motors with NN in NOTES column.

HOW TO ORDER EXAMPLE: Modify the root Model Number A F 4 P 7.5 T 61 **F** or use Generic Description.

Varnish per MIL-V-173C to coil winding surfaces and leads. Procedure per MIL-T-142B Type II.

Option	Model Number Symbol	List Price (\$) Addition - Frame Size Family											
		48	56	140	180	210	250	280	320	360	400	440	5000
Fungus Proofing	F	\$113	\$113	\$113	\$135	\$164	\$206	\$206	\$255	\$255	\$308	\$308	

Prices and data subject to change without notice.



FACTORY OPTIONS

IEEE 841 SPECIFICATION

Available on CCS models with B efficiency codes, frames 182T to 365T.

HOW TO ORDER EXAMPLE: Modify the root Model Number CCS 4 B 100 T 61Y **AP20** T5 or use Generic Description.

Modifications to stock motor as follows:

- Rust-inhibiting coatings of all internal motor components (except bearings).
- Motor component sealing of end brackets, terminal box and cover, and bearing caps using high temp RTV silicone, latex or anaerobic cure materials.
- All fastening hardware is hex head type with zinc, chrome, nickel or cadmium plating to prevent rust.
- Shaft extensions are sealed from the motor using positive lip-seals or labyrinth seals or a combination of both to exclude moisture and dirt from contaminating the motor bearings.
- The exterior of the motor is painted with a two-part epoxy.
- Cross-drilled replaceable brass/bronze condensate drains.
- Mounting foot flatness within +/-0.005 inches.
- Additional grounding lug on the motor frame (same side as terminal box).
- Fan rotation sticker.
- Additional nameplate detailing wattage, voltage and connection provided inside the terminal box when space heaters are included.
- Test card providing the following mechanical and electrical tests:
 - (1) Motor precision balance/testing where by unfiltered vibration will not exceed 0.08 in/sec peak velocity.
 - (2) Filtered vibration not to exceed 0.05 in/sec peak velocity at twice speed (2n) of twice frequency (2f).
 - (3) Unfiltered axial vibration not to exceed 0.06 in/sec at the bearing housing.
 - (4) Winding resistance.
 - (5) No-load readings of current and speed at rated voltage and frequency.
 - (6) Hi-potential test.
- Nameplate stamped IEEE 841-1994.

Option	Model Number Symbol	List Price (\$) Addition – Frame Size Family					
		180	210	250	280	320	360
IEEE 841 Modification – Includes DE labyrinth seal and ODE lip seal	AP19	\$330	\$403	\$470	\$668	\$1079	\$1755
IEEE 841 Modification – Includes labyrinth seal on both ends	AP20	378	459	534	761	1227	1994

Contact your local sales office for availability.

INSULATION – CLASS H

AVAILABLE ON ALL MOTORS except those with Fungus Proofing option, CCS models with B efficiency codes and motors with NN in NOTES column.

HOW TO ORDER EXAMPLE: Modify the root Model Number CCS 4 P 150 T 61 **E3** or use Generic Description.

For heat stabilized bearings, contact your local sales office for price and availability.

Option	Model Number Symbol	List Price (\$) Addition – Frame Size Family										
		56	140	180	210	250	280	320	360	400	440	5000
Class H Insulation and High Temperature Bearing Grease	E5	\$216	\$216	\$257	\$295	\$350	\$513	\$667	\$823	\$1144	\$1588	Contact Sales Office
Class H Insulation only	E3	192	192	235	269	311	458	610	768	1091	1486	Contact Sales Office

Prices and data subject to change without notice.

MOUNT - NEMA FLOOR (F-2), WALL (W1-W8) or CEILING (C1-C2) MOUNT

Also available as a Mod. See LEESON/Lincoln Modification section.

End brackets are rotated to position weep holes at the lowest point. Ineffective weep holes are sealed.

AVAILABLE ON ALL MOTORS except those with NN in NOTES column and as defined in Notes #1 and #2.

HOW TO ORDER EXAMPLE: Modify the root Model Number SD 4 P 40 T 61 **W1** or use Generic Description.

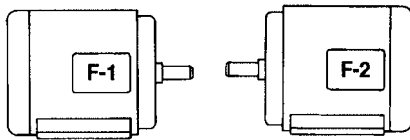
Option	Model Number Symbol	List Price (\$) Addition – Frame Size Family										5000
		48/56	140	180	210	250	280	320	360	400	440	
NEMA Floor (F-2), Wall (W1-W) or Ceiling Mount (C1-C2)	B W1 - W8 C1 - C2	N/C Note #1	N/C Note #2	N/C	N/C	N/C	N/C					Floor: N/C Wall & Ceiling: contact sales office

N.C. = No Charge
 Note #1 = 56 Frame sizes available only as W2, W3, W6, W8 and C2.
 Note #2 = Not available on SF Model Numbers.

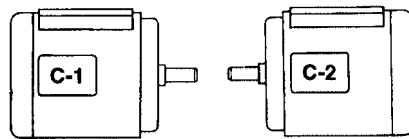
Drip Covers are available for some motors mounted vertically – contact your local sales office.

See **Terminal Box - 12 o'clock position** on page 289 for F3 mount and its Wall (W9-W12) and Ceiling (C3) derivatives.

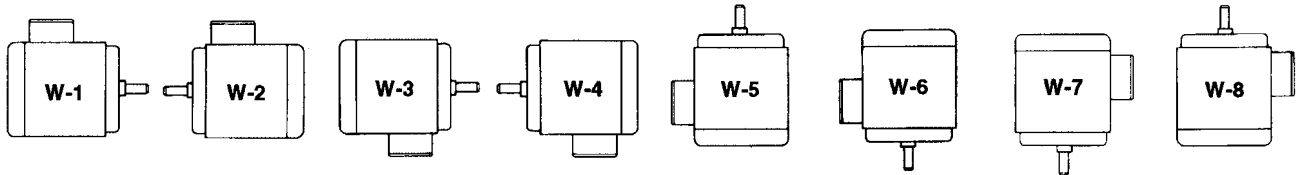
Floor Mount



Ceiling Mount



Wall Mount



NAMEPLATES - CHANGES and SPECIAL INFORMATION

AVAILABLE ON ALL MOTORS except CCS models with B efficiency codes and those with NN in NOTES column. Special information subject to approval by Lincoln/LEESON.

HOW TO ORDER: Use Generic Description and include HP, RPM, Frame size, Frame material, Enclosure, Voltage, Frequency, Ambient Rating, Service Factor and Altitude (if appropriate). Limited customer information such as a part number can also be included.

Option	Model Number Symbol	Net Price (\$) Addition - Frame Size Family										
		56	140	180	210	250	280	320	360	400	440	5000
Special Information Required	—	\$34										

Prices and data subject to change without notice.



FACTORY OPTIONS

NO FEET - ROUND BODY (FOOTLESS)

AVAILABLE ON ALL MOTORS except those motors with NN in NOTES column unless specifically listed on pages 184-273. Normally requires C-Face or D-Flange option.

HOW TO ORDER EXAMPLE: Modify the root Model Number CCF 4 P 75 TC **N** 61Y or use Generic Description.

Option	Model Number Symbol	List Price (\$) Addition – Frame Size Family										
		48/56	140	180	210	250	280	320	360	400	440	5000
No Feet (Footless)	N	No Charge										

PAINT - COLORS OTHER THAN STANDARD

Also available as a Mod. See LEESON/Lincoln Modification section.

AVAILABLE ON ALL MOTORS except Wash-Thru™, Washdown and those motors with NN in NOTES column. A minimum order quantity may apply to motors in frame sizes 48, 56 and 143T-145T.

HOW TO ORDER EXAMPLE: **Use Generic Description**; do not use a Model Number or Product Number. Stock Colors include Smoke Gray (X1), Severe Duty Blue (X3), Black and FDA Gloss White (X7). For Custom Colors, detail the paint specifications as much as possible with paint manufacturer's number and color. A paint chip is helpful. Prices do not include special finishes.

40 HP 1800 RPM 324T Ultimate E1® TEFC (steel) 230/460/3/60 painted (Brand Name) Yellow #2364.

Option	Model Number Symbol	Net Price (\$) Setup Charge	List Price (\$) Addition – Frame Size Family									
			48, 56 & 140	180	210	250	280	320	360	400	440	5000
Stock Colors	Note 1	No Charge	11 (Note 2)	\$19	\$19	\$21	\$74	\$74	\$84	\$84	\$113	\$188
Custom Colors	Note 1	\$137	79 (Note 2)	146	146	218	218	218	437	437	437	437

NOTES:

1. Model Number symbol for **PAINT – COLORS OTHER THAN STANDARD** is the letter "X" followed by a Lincoln assigned number.
2. Minimum order quantity may apply. Contact your local sales office for details.

PRECISION BALANCE

AVAILABLE ON ALL MOTORS except CCS models with B efficiency codes and motors with NN in NOTES column. Inverter Duty CTAC® motors are precision balanced as standard.

HOW TO ORDER EXAMPLE: Modify the root Model Number A F 4 B 7.5 T 61 **HS** or use Generic Description.

Option	Model Number Symbol	List Price (\$) Addition – Frame Size Family											
		48	56	140	180	210	250	280	320	360	400	440	5000
Precision Balance	HS	\$175	\$175	\$175	\$175	\$175	\$201	\$201	\$228	\$228	\$288	\$288	\$888

Balanced per IEEE841:

3600,1800,1200 RPM (0.08 in/sec)
 900RPM (0.06 in/sec)

Prices and data subject to change without notice.

SHAFTS - SINGLE AND DOUBLE END EXTENSION - NEMA DIMENSIONS

HOW TO ORDER: Use Generic Description or Modify the root Model Number.

EX1: SF 4 P 50 **T** 61 becomes SF 4 P 50 **TS** 61.

EX2: CCF 6 P 5 **T TM** 61

EX3: SD 4 B 25 **TS C TS** 61

T Frame Motors

	Available on T-Frame motors having a Model Number which begins with...	Model Number Symbol	List Price (\$) Addition – T Frame Size Family									
			48/56	140	180	210	250	280	320	360	400	440(4)
Single End	Any(2)(3)	T or TS	No Charge									
Double End	AF(1), AAF, CCF(2), CCS(2)(3), MD, SD, SE, SPD, SRD & SSD	T TM	\$34	\$44	\$49	\$88	\$113	\$139	\$182	\$188	\$237	\$270
	SRN	T T	131									
	AF(1), AAF, CCF(2), CCS(2)(3) & SD(1)	T T	Contact your local sales office for price & availability									
	CCD, CCF(2), CCS(2)(3), MD, SD & SE	TS TS							139	182	188	237

U Frame Motors

	Available on T-Frame motors having a Model Number which begins with...	Model Number Symbol	List Price (\$) Addition – T Frame Size Family									
			56	140	180	210	250	280	320	360	400	440(4)
Single End		U or US	No Charge									
Double End	CCF or CCN	U U			\$49	\$88	\$113	\$141	\$182	\$188	\$237	\$271
		U UM				88	113	141	182	188	237	271
		US US						141	182	188	237	271

(1) P and B efficiency codes only.

(2) Excludes motors with NN in NOTES column.

(3) Excludes Crusher Duty motors.

(4) 2-pole (3600 or 3000 RPM) motors in frames 444-449 are available only as "TS" or "US".

Double End Extensions - Dimensions (all values in inches)

Frame Size	T		TM		TS		U		UM		US	
	Diameter (U or FU)	Length (N-W or FN-FW)	Diameter (FU)	Length (FN-FW)	Diameter (U or FU)	Length (N-W or FN-FW)	Diameter (U or FU)	Length (N-W or FN-FW)	Diameter (FU)	Length (FN-FW)	Diameter (U or FU)	Length (N-W or FN-FW)
56	5/8	1 7/8	5/8	1 5/8	-	-	-	-	-	-	-	-
56Z	7/8	2 1/4	-	-	-	-	-	-	-	-	-	-
143-145	7/8	2 1/4	5/8	1 5/8	-	-	-	-	-	-	-	-
182-184	1 1/8	2 3/4	7/8	2 1/4	-	-	7/8	2 1/4	-	-	-	-
213-215	1 3/8	3 3/8	1 1/8	2 3/4	-	-	1 1/8	3	7/8	2 1/4	-	-
254-256	1 5/8	4	1 3/8	3 3/8	-	-	1 3/8	3 3/4	1 1/8	3	-	-
284-286	1 7/8	4 5/8	1 5/8	4	1 5/8	3 1/4	1 5/8	4 7/8	1 3/8	3 3/4	-	-
324-326	2 1/8	5 1/4	1 7/8	4 5/8	1 7/8	3 3/4	1 7/8	5 5/8	1 5/8	4 7/8	1 5/8	3 1/4
364-365	2 3/8	5 7/8	1 7/8	4 5/8	1 7/8	3 3/4	2 1/8	6 3/8	1 7/8	5 5/8	1 7/8	3 3/4
404-405	2 7/8	7 1/4	2 1/8	5 1/4	2 1/8	4 1/4	2 3/8	7 1/8	1 7/8	6 3/8	2 1/8	4 1/4
444-449	3 3/8	8 1/2	2 3/8	5 7/8	2 3/8	4 3/4	2 7/8	8 5/8	2 1/8	7 1/8	2 1/8	4 1/4

Prices and data subject to change without notice.



FACTORY OPTIONS

SHAFT • SINGLE AND DOUBLE END • SPECIAL DIMENSIONS

Special shafts of standard material are available at the price additions and setup charges listed below, subject to the following restrictions.

SHAFT DIAMETER (U, FU)	Requested diameter must not exceed standard shaft diameter, but must be large enough to accept key seat and a 5/8" center.
SHAFT LENGTH (N-W, FN-FW, V, FV, AH, FAH)	Single End Shaft – Any length in 1/8" increments up to 5 inches longer than standard. Double End Shaft – Any overall length up to 5 inches longer than standard. For example, you may add 3 inches to the drive end shaft and add 2 inches to the opposite drive end shaft, but not 5 inches to both ends of the shaft. Each end's length must be in 1/8" increments.
KEY AND KEY SEAT (KEY, F KEY)	Size and length of key must be specified on order. See NEMA Standard MG-1 4.05 for square key sizes with appropriate shaft diameters or Lincoln dimension sheets for standard shaft and key dimensions. Unless otherwise specified, the useable length of the key seat will be 1/8" longer than the requested key length.
SPECIAL MACHINING OR MATERIALS	Consult your local sales office for price and availability on drilled and tapped, tapered, and threaded shafts or shafts of special materials.

HOW TO ORDER: Use Generic Description when ordering a motor with a special single or double end shaft. Include HP, Speed (RPM), Frame Size, Frame Material, Enclosure, efficiency code, Voltage and Frequency with all electrical and mechanical modifications detailed, plus values for the following "drive end" and "opposite drive end" dimensions when applicable.

DRIVE END	OPPOSITE DRIVE END
N-W (AH for motors with C-face or D-flange)	FN-FW (FAH for motors with C-face or D-flange)
V	FV
U	FU
KEY	F KEY

Single End Shaft - Special Dimensions - T and U Frame Motors

Available on motors having a Model Number which begins with...	List Price (\$) Setup Charge	List Price (\$) Addition – Frame Size Family												
		56	140	180	210	250	280	320	360	400	444/445	447/449	5000	
Any prefix except those listed in (1) & (2)	\$458	\$61	\$61	\$70	\$88	\$113								
	523						\$150	\$201	\$208	\$253	\$301	\$339	\$452	

Double End Shaft - Special Dimensions - T and U Frame Motors

Available on motors having a Model Number which begins with...	List Price (\$) Setup Charge	List Price (\$) Addition – Frame Size Family												
		56	140	180	210	250	280	320	360	400	444/445	447/449	5000	
AF(3), AAF, CCD, CCF(2), CCS(1)(2), MD, SD, SE,	\$458	\$113	\$113	\$145	\$173	\$226								
SPD, SRD & SSD	523						\$285	\$360	\$437	\$512	\$602	\$677		

- (1) Excludes Crusher Duty, Wash-Thru, Washdown, Pump and Agriculture/Farm Duty motors.
- (2) Excludes motors with NN in NOTES column.
- (3) P & B efficiency codes only.

Prices and data subject to change without notice.

FACTORY OPTION PRICES FOR PRODUCTION MOTORS (BUILD UP)

Data, Prints and Software

Item	Description	FOR EACH MOTOR RATING			
		Initial		Supplicate Additional	
		Qty.	Net \$	Min. Qty.	Net \$
1	Standard Data Transmittal and Certification Sheet	1	N/C	5	\$8
2	External Wiring / Connection Diagram (Includes Accessories Where Applicable)	1	N/C	5	\$8
3	Certified Dimension Print (Standard 8.5" x 11")	1	N/C	5	\$8
4	Bulletins	1	N/C	5	\$8
5	Parts List (Exploded View)	1	N/C	5	\$8
6	Standard Tabulation Performance Data Sheet - Apply Addition For Each Specific Voltage Condition	1	\$34	5	\$5
7	Motor MFG & Bearing Manufactures Part Number	1	N/C	N/A	N/A
8	Customer Data Sheet Filled Out By Motor Mfg. Using Typical Performance Data Only	1	\$68	N/A	N/A
9	Nameplate Data	1	N/C	N/A	N/A
10	City of New York Data Sheet	1	\$68	N/A	N/A
11	Acceleration Time vs. AMPS Curve (Requires Customer's WK2 & Load Speed Torque Curve)	1	\$205	1	\$5
12	Performance Curve (Slip or RPM, AMPS, EFF., PF, KW vs. HP)	1	\$205	1	\$5
13	Performance Data (Same As Curve Except In Data Form)	1	\$34	1	\$5
14	Equivalent Circuit Parameters At Full Load, 3/4 Load, 1/2 Load and Lock	1	\$68	1	\$5
15	Speed vs. Torque & AMPS Curve	1	\$68	1	\$5
16	Safe Stall Time Curve (Time vs. AMPS) Thermal Limit/Damage Curve	1	\$205	1	\$5
17	Deflection	1	\$34	1	\$5
18	Rotor Inertia	1	\$34	1	\$5
19	Shaft Stiffness / Modulus of Elasticity	1	\$205	1	\$5
20	Non-standard Outline Drawings or Special Construction or Accessories	1	\$68	N/A	N/A
21	Special Calculated Data - Apply Addition For Each Specified Data	1	\$205		
22	Certification of Compliance - A Copy of the Original Customer P.O. Must Accompany The Order	1	\$54	1	\$5
23	Special Tagging Or Special Marks On Software Not A Part Of Lincoln's Standard Format Will Be Charged On A Per Sheet Basis	1	\$68	N/A	N/A
24	UL Certificate	1	\$478	N/A	N/A

This data is provided on quality black print on white paper, suitable for reproduction. Any data, curves or drawing can be supplied on vellum or mylar. Add an additional \$50 net per each software item.

Prices and data subject to change without notice.



FACTORY OPTIONS

SPACE HEATERS

Also available as a Mod. See LEESON/Lincoln Modification section.

AVAILABLE ON ALL MOTORS except those with NN in NOTES column. Contact your local sales office for price and availability on space heaters for explosion-proof motors.

HOW TO ORDER EXAMPLE: Modify the root Model Number A F 4 P 7.5 T 61 **HT1** or use Generic Description.

For motors having a combination of space heater and thermal protection, order by Generic Description instead of a Model Number or Product Number.

Space heater leads on low voltage motors are located in the same terminal box as the motor leads. Space heater leads on medium voltage motors are located in a separate terminal box.

NOTE: List Price Addition varies based on Low Voltage (LV) or Medium Voltage (MV) motor in frames 444T & up.

Option	Model Number Symbol	List Price (\$) Addition – Frame Size Family											5000
		48/56	140	180	210	250	280	320	360	440	444/445	447/449	
		Contact LEESON for Explosion-Proof Motors											
Space Heater - single voltage, 120V	HT1	\$199	\$199	\$199	\$259	\$259	\$284	\$284	\$284	\$389	LV: \$389 MV: \$775	LV: \$407 MV: \$775	
Space Heater - single voltage, 240V	HT2	210	210	230	285	304	322	329	338	407	LV: \$435 MV: \$806	LV: \$480 MV: \$851	
Space Heater - dual voltage, 120/240V	HT3	X											LV: \$735 MV: \$1192

TERMINAL BLOCKS

See CE FACTORY Option on page 278 or CE Field Conversion Kits – contact your local sales office for price and availability.

TERMINAL BOX - OMIT

AVAILABLE ON ALL MOTORS except those with NN in NOTES column and some single phase motors with capacitors mounted in the terminal box.

HOW TO ORDER EXAMPLE: Modify the root Model Number SD 4 P 75 TSC 61Y **K** or use Generic Description.

Option	Model Number Symbol	Net Price (\$) Addition – Frame Size Family											
		56	56H	140	180	210	250	280	320	360	400	440	5000
Omit Terminal Box	K			\$9	\$9	\$9	\$9	\$9	\$9	\$9	\$9	\$9	

TERMINAL BOX - RESIZED

Also available as a Mod. See LEESON/Lincoln Modification section.

Contact your local sales office for price and availability on a resized terminal box.

Prices and data subject to change without notice.

**TERMINAL BOX – 12 O’CLOCK POSITION
NEMA FLOOR (F3), WALL (W9-W12) or CEILING (C3) MOUNT**

HOW TO ORDER EXAMPLE: Modify the root Model Number SSF 4 P 1 T 61 **H4** or use the Generic Description.

Available on motors having a Model Number which begins with...	Model Number Symbol	List Price (\$) Addition - Frame Size Family											
		48	56	140	180	210	250	280	320	360	400	440	5000
SPD, SRD, SSD, SPF, SRF, SSF & SRN	H4 (floor) W9 - W12 C3	\$84	\$84	\$165	\$237	\$330	\$388						
Contact Local Sales Office for availability of cast iron frame motors													
CCF, CCS, SD, SF	H4					\$819	\$819	\$819	\$819	\$1229	\$1229	\$1639	\$1639

TEMPERATURE SENSORS – BEARING – RTD’s and THERMOCOUPLE

HOW TO ORDER: Use Generic Description. Make sure your specify “one or both ends” (and if “one end”, is it on the drive or fan end) and type of RTD or thermocouple.

Thermal Protection – Bearing RTDs (pair)	List Price											
	56	143-145	182-184	213-215	254-256	284-286	324-326	364-365	404-405	444-445	447-510	5000
10 ohm Copper	—	—	—	—	\$1259	\$1259	\$1259	\$1259	\$1259	\$1259	\$1259	\$4097
120ohm Nickel	—	—	—	—	\$1259	\$1259	\$1259	\$1259	\$1259	\$1259	\$1259	\$4097
100 ohm Platinum	—	—	—	—	\$2502	\$2502	\$2502	\$2502	\$2502	\$2502	\$2502	\$4097
Thermocouples (specify type J, K or T)	\$1254	\$1254	\$1639	\$1639	\$1639	\$1639	\$1639	\$1639	\$1639	\$1639	\$1639	\$4097

TEMPERATURE SENSORS – WINDING – RTD’s

Resistance Temperature Detectors (RTD’s) imbedded in the stator winding. Leads are brought into a motor-mounted terminal box (separate box on medium voltage motors). When used with temperature indicator control, detector can monitor winding temperature. Lincoln does not supply control circuit or logic. Note: UL and CSA logos do not appear on the motor nameplate for this option.

HOW TO ORDER EXAMPLE: Modify the root Model Number CCF 6 P 30 TS 61Y **TD1** or use Generic Description.

For motors having any combination of space heaters and thermal protection, order by Generic Description instead of using a Model Number or Product Number.

NOTE: List Price Addition varies based on Low Voltage (LV) or Medium Voltage (MV) motor.

Thermal Protection – Bearing RTDs (pair)	List Price (\$) Addition - Frame Size Family												
	48/56	140	180	210	250	254-256	284-286	324-326	364-365	404-405	444-445	447-510	5000
10 ohm Copper	—	—	—	—	\$1620	\$1620	\$1620	\$1620	\$1620	\$1620	\$1620	\$1620	\$1953
120 ohm Nickel	—	—	—	—	\$1620	\$1620	\$1620	\$1620	\$1620	\$1620	\$1620	\$1620	\$2131
100 ohm Platinum	—	—	—	—	\$3226	\$3226	\$3226	\$3226	\$3226	\$3226	\$3226	\$3226	\$3226

Prices and data subject to change without notice.



FACTORY OPTIONS

TEMPERATURE SENSORS • WINDING • THERMOCOUPLE

Contact your local sales office for price and availability (444T frame and larger) on Type J, K or T thermocouples.

Test Reports and Cost for Built up motors

Test and Reports

All testing costs are net prices and are per motor for single speed designs, double price for two speeds.

All motors are tested prior to leaving any plant facility to assure their compliance with design standards. They are tested in accordance with NEMA and IEEE-112 test method B.

Short Commercial or Routine Test

This test is designed to meet the requirements of NEMA MG1-12.55.2

This test consists of no load current, locked rotor current (interpolated from a single-phase impedance test), winding resistance, high potential test and bearing inspection.

Complete Test

This test provides actual characteristics of each motor tested is made upon request and includes:

Full load heat run	Full, 3/4, and 1/2 load efficiency
Full load RPM	Full, 3/4, and 1/2 load power factor
No-load current	Locked rotor current
Starting torque	Winding resistance
Locked rotor torque	High potential test
Breakdown torque	Bearing inspection
Temperature rise	

Calibration Test

In addition to a complete test this test offers full range of data from 0-125% load efficiency, power factor speed, amp, kilowatts, and horsepower.

Duplicate Tests

Copies of tests done on electronically duplicate motors can be provided for the adder given.

Polarization Index Test

Knowing the polarization index of a motor or generator can be useful in appraising the fitness of the machine for service. The index is calculated from measurements of the winding insulation resistance.

$$\text{Polarization Index} = \frac{\text{Resistance after 10 minutes}}{\text{Resistance after 1 minute}}$$

The recommended minimum value of polarization index for ac and dc motors, and, generators is 2.0. Machines having windings with a lower index are less likely to be suited for operation.

The purpose of a polarization index test is useful in evaluating windings for:

- Buildup of dirt or moisture
- Gradual deterioration of the insulation (by comparing results of tests made earlier on the same machine)
- Fitness for over-potential tests
- Suitability for operation

The procedure for determining the polarization index is covered in detail by IEEE-43.

Prices and data subject to change without notice.

Inverter Tests

All requests should be forwarded to the home office. These tests are available after engineering and marketing approval.

Sound Test

This test is completed per test methods established by IEEE-85; any other requests should be forwarded to the home office for review.

Vibration Test

This is a certified copy of vibration test per NEMA standards on 2 vertical, two-horizontal and one-axial plane.

Witnessed Test

Are available for all designs at the net price given per frame size.

Table 1 Net Price Additions Per Frame Size

Test & Analysis	56	140	180	210	250	280	320	360	400	444/445	447/510	5000
Certified Routine	\$75	\$75	\$75	\$75	\$75	\$75	\$75	\$75	\$75	\$75	\$75	\$75
Certified Complete	414	414	414	414	414	640	828	978	1355	2785	2785	2784
Calibration	414	414	414	414	414	497	564	648	806	1054	1054	1054
Duplicate Short Commercial	75	75	75	75	75	75	75	75	75	75	75	75
Duplicate Complete	113	113	113	113	113	113	113	113	113	113	113	113
Polarization Index	452	452	452	452	452	752	752	752	752	752	752	752
Sound	452	452	452	452	452	452	752	752	752	752	752	752
Vibration	226	226	226	226	226	226	226	226	226	226	226	226
Witnessed Short Commercial	414	414	414	414	414	573	573	648	806	1054	1054	1054
Witnessed Complete	632	632	632	632	632	978	1242	1468	2033	4177	4177	4177
Witnessed Sound	677	677	677	677	677	677	1130	1130	1130	1130	1130	1130
Witnessed Vibration	414	414	414	414	414	497	564	648	806	1054	1054	1054

Prices and data subject to change without notice.



FACTORY OPTIONS

THERMAL PROTECTION - WINDING - THERMISTORS

Also available as a Mod. See LEESON/Lincoln Modification section.

AVAILABLE ON ALL LOW VOLTAGE (< 601 V) MOTORS. Contact your local sales office for price and availability on thermistors for medium voltage (> 600 V) motors.

Three phase motors have three (3) Texas Instruments® PTC thermistors wired in series; single phase motors have one (1). Control module available from Lincoln – contact your local sales office for price and availability.

HOW TO ORDER EXAMPLE: Modify the root Model Number CCS 4 P 75 T 61 **TX1** or use Generic Description.

For motors having any combination of space heaters and thermal protection, order by Generic Description instead of using a Model Number or Product Number.

Option	Model Number Symbol	List Price (\$) Addition – Frame Size Family										
		56	140	180	210	250	280	320	360	400	440	5000
Thermistors - 3-Phase Motors	TX1	\$273	\$273	\$273	\$273	\$273	\$273	\$273	\$273	\$273	\$273	\$273
Thermistors - 1-Phase Motors	TX2	273	273	273	273							

Prices and data subject to change without notice.

THERMAL PROTECTION - WINDING - THERMOSTATS (CLASS F)

Also available as a Mod. See LEESON/Lincoln Modification section.

AVAILABLE ON ALL LOW VOLTAGE (< 601 V) MOTORS. Inverter Duty CTAC®, Explosion-Proof (CCFX models), Crop Dryer motors and CCS models with B efficiency codes have thermostats as standard. Contact your local sales office for price and availability on thermostats for medium voltage (> 600 V) motors.

Three phase motors have three (3) thermostats wired in series; single phase motors have one (1).

HOW TO ORDER EXAMPLE: Modify the root Model Number A F 4 B 7.5 T 61 **T1** or use Generic Description.

For motors having any combination of space heaters and thermal protection, order by Generic Description instead of using a Model Number or Product Number.

Option	Model Number Symbol	List Price (\$) Addition – Frame Size Family										
		56	140	180	210	250	280	320	360	400	440	5000
Thermostats - 3-Phase Motors	T1	\$85	\$85	\$85	\$85	\$85	\$85	\$85	\$85	\$85	\$85	\$85
Thermostats - 1-Phase Motors	T2	53	53	53	53							

TWO SPEED - ONE WINDING, VARIABLE OR CONSTANT TORQUE

Contact your local sales office for price and availability.

VERTICAL SOLID SHAFT MOTORS (P-BASE)

Contact your local sales office for price and availability.

Prices and data subject to change without notice.



FACTORY OPTIONS

60 HZ VOLTAGES • 3-PHASE • OTHER THAN STANDARD • FACTORY OPTIONS ONLY DOES NOT APPLY TO 911 RE-NAMEPLATES - Contact Your Local Sales Office

AVAILABLE ON ALL MOTORS except Fire Pump Motors (AP5 suffix), CCS models with B efficiency codes, those motors with NN in NOTES column, and others as noted in the following table.

HOW TO ORDER:

1. Use the following table to verify the required voltage and voltage code are available for a particular frame size or horsepower.
2. Determine which of the available voltage codes provides the required starting method.
3. Replace the voltage code in the root Model Number (e.g. 61, 61Y, 64, 64Y) with the voltage code identified in Step 2.
 EXAMPLE: CCS 4 P 10 T 61 becomes CCS 4 P 10 T **68Y** for 380 V with YDS capability. You may also order using a Generic Description. Contact your local sales office for availability of combinations not listed in the table.

3-Phase Voltage	Model Number Voltage Code	*Number of Leads	Voltage Availability by Frame Sizes			Starting Capabilities			Voltage Adders List Price Addition per Motor
			56-256T	284T-405T	444T-449T	Across the Line	YDS	PWS	
200/400	62 (1)	9	YES	NO	NO	•			\$75
	62Y(1)	12(4)	YES	YES	NO	•	BOTH		\$75
208	63(1)	3	YES	YES	NO	•			\$75
	63Y(1)	6	YES	YES	NO	•	•		\$75
220/380	6003(1)	6	YES	YES	NO	•	LOW ONLY		\$75
220/440	6004(1)	9	YES	NO	NO	•			\$75
	6004Y(1)	12(4)	YES	YES	up to 250 HP	•	BOTH		\$75
230/460	61	9	YES(2)	NO	NO	•			\$75
	61Y	12	YES	YES(2)	up to 250 HP	•	BOTH		\$75
230	66	3	YES	YES	up to 250 HP	•			\$75
	66Y	6	YES	YES	up to 250 HP	•	•		\$75
	66P	6(3)	NO	YES	up to 250 HP	•		•	\$75
	66PY	12(5)	NO	YES	up to 250 HP	•	•	•	\$75
380	68(1)	3	YES	YES	YES	•			\$75
	68Y(1)	6	YES	YES	YES	•	•		\$75
	68P(1)	6	NO	YES	YES	•		•	\$301
	68PY(1)	12(5)	NO	YES	YES	•	•	•	\$301
440	67(1)	3	YES	YES	YES	•			\$75
	67Y(1)	6	YES	YES	YES	•	•		\$75
	67P(1)	6	NO	YES	YES	•		•	\$301
	67PY(1)	12(5)	NO	YES	YES	•	•	•	\$301
460	64	3	YES(2)	YES(2)	YES(2)	•			\$75
	64Y	6	YES	YES	YES(2)	•	•		\$75
	64P	6(3)	NO	YES	YES	•		•	\$75
	64PY	12(5)	NO	YES	YES	•	•	•	\$75
480	69	3	YES	YES	YES	•			\$75
	69Y	6(4)	YES	YES	YES	•	•		\$75
	69P	6(3)	NO	YES	YES	•		•	\$301
	69PY	12(5)	NO	YES	YES	•	•	•	\$301
575	65	3	YES(2)	YES(2)	YES(2)	•			\$75
	65Y	6	YES	YES	YES(2)	•	•		\$75
	65P	6(3)	NO	YES	YES	•		•	\$75
	65PY	12(5)	NO	YES	YES	•	•	•	\$75

(1) Available on motors with B and PY (except CCS models), S efficiency codes.
 (2) Voltage code is standard on some models. Check individual item listings.
 (3) Part winding start - PWS
 (4) Wye - delta start - YDS
 (5) PWS & YDS
 * Adders for PWS, YDS, PWS – YDS see page 280

KEY: "YES" Identifies voltage codes which are available in the given frame sizes but are not typically a stock item.
 • Designed for the particular starting method on voltage(s) listed.
 "BOTH" Designed for YDS on both voltages.
 "LOW ONLY" Designed for YDS on low voltage connection only.

Prices and data subject to change without notice.

C-FACE FIELD CONVERSION KITS FOR ULTIMATE E, ODP & WASHTHRU™ MOTORS



**SRD, SSD, SD, SREW, SSEW, MD & SE MODEL NUMBERS
S, P & B EFFICIENCY CODES**

Mount On Drive End Only

Frame Size(s)	SYN RPM	Model Number Prefix								Product Number	Notes (see pg 306)	Approx Shpg Wght (lbs)	List Price	Mult Sym
		SREW	SSEW	SRD	SSD	SD (cast Iron Brkt)	MD & SE	CCD						
56	All	*		*						LM24631	2	2	\$ 49	LM-1
56	All	*		*						LM24807	3	2	49	LM-1
143T-145T	All		*		*					LM24807	1, 3	2	49	LM-1
213T-215T	All		*		*					LM25737	1	15	112	LM-1
254T-256T	All				*					LM25740	1	15	144	LM-1
254T-256T	All								*	LM31014	1	15	144	LM-1
284T/TS-286T/TS	All								*	LM31019		15	269	LM-1
284T/TS-286T/TS	All					*				LM24062	4	25	269	LM-1
324T/TS-326T/TS	All					*				LM24063		47	350	LM-1
364T/TS-365T/TS	All					*				LM24064		53	585	LM-1
404T/TS-405T/TS	All					*				LM24065		56	771	LM-1
444T/TS-445T/TS	3600					*				LM24066		88	842	LM-1
444T/TS-445T/TS	1200					*				LM24067		88	842	LM-1
447T/TS-449T/TS	3600					*				LM24068		98	932	LM-1
447T/TS-449T/TS	1200					*				LM24069		98	932	LM-1

Frame	NEMA C-Face BA	C-Face Kit BA	D.E. Brg	* M/N Prefix
143T-145T	2.75"	2.40"	6203	SSF
143T-145T	2.75"	2.38"	6205	CCF, CCN
182T-184T	3.50"	2.75"	STD.	N/A
213T-215T	4.25"	3.50"	STD.	N/A
254T-256T	4.75"	4.25"	STD.	N/A

*All except ODP

Notes: P=Epact, B=Preimum, S=Standard Eff.

1. These kits create a T-Frame C-Face motor having a non NEMA BA dimension. See chart for further explanation
2. 56 frames with 203 drive end bearing
3. 56 frames with 205 drive end bearing
4. For 2-Pole and 6-Pole motors

For motors with steel end brackets – no C-Face Kits are available

180 frame motors – no C-Face Kits are available



C-FACE FIELD CONVERSION KITS FOR ULTIMATE TEFC MOTORS

SRF, SSF, SREW, SSEW, AF, AAF, CCN, CCF, CCS & SF MODEL NUMBERS
G, P & B EFFICIENCY CODES

Mount On Drive End Only

Frame Size(s)	SYN RPM	Model Number Prefix							Product Number	Notes (see pg 306)	Approx Shpg Wght (lbs)	List Price	Mult Sym
		SRF	SSF	AF/AAF	SF (cast Iron Brkt)	CCN	CCF	CCS					
56	All	*							LM24808	1,2	2	\$ 49	LM-1
56	All	*							LM24810	1,3	1	49	LM-1
143T	All					*	*	*	LM24811	1	18	49	LM-1
143T	All		*						LM24810	1	1	49	LM-1
145T	All		*						LM24810	1	1	49	LM-1
145	All					*	*	*	LM24815	1	7	49	LM-1
182T-184T	All		*					*	LM25736	1	12	59	LM-1
182T-184T	All			AAF					LM26679	1	10	95	LM-1
213T-215T	All		*						LM25738	1	10	112	LM-1
213T-215T	All						*	*	LM25739	1	10	112	LM-1
213T215T, 213-215	All			*					LM20121	1	10	112	LM-1
254T-256T	All						*	*	175191.60 =AP21	1	25	194	LM-1
254T-256T	All						*	*	LM27681	1	25	194	LM-1
254U-256U	All			*					LM30147	1	26	194	LM-1
284T-286T	All						*	*	LM27576		20	269	LM-1
284T/TS-286T/TS	All			*					LM20116		20	269	LM-1
324T/TS-326T/TS, 324U/US-326U/US	All						*	*	LM28624		33	389	LM-1
324T/TS-326T/TS, 324U/US-326U/US	All				*				LM24057		33	389	LM-1
364T/TS-365T/TS	All				*				LM24058		30	585	LM-1
364T-365T							*	*	TBD				
364TS-365TS							*	*	TBD				
364U-365U							*	*	TBD				
404T-405T 404U-405U	All						*	*	LM28501		53	771	LM-1
404T-405T							*	*	TBD				
404TS-405TS							*	*	TBD				
404U-405U							*	*	TBD				
404T/TS-405T/TS	All				*				LM24059		53	771	LM-1
444T/TS-449T/TS	3600				*				LM24060		98	932	LM-1
444T-445T							*	*	TBD				
444TS-445TS							*	*	TBD				
444U-445U													
444T/TS-449T/TS	1800				*				LM24061		98	932	LM-1
447T-449T							*	*	TBD				
447TS-449TS	1800				*		*	*	TBD		98	932	LM-1

Notes: P=Epact, B=Preimum, S=Standard Eff., G=U-Frame Standard

- These kits create a T-Frame C-Face motor having a non NEMA BA dimension. See chart for further explanation
- 56 frames with 203 drive end bearing
- 56 frames with 205 drive end bearing
- For AK dimension of 4.5"
- For AK dimension of 8.5"

For motors with steel end brackets - no C-Face Kits are available

Frame	NEMA C-Face BA	C-Face Kit BA	D.E. Brg	* M/N Prefix
143T-145T	2.75"	2.40"	6203	SSF
143T-145T	2.75"	2.38"	6205	CCF, CCN
182T-184T	3.50"	2.75"	STD.	N/A
213T-215T	4.25"	3.50"	STD.	N/A
254T-256T	4.75"	4.25"	STD.	N/A

*All except ODP

LINCOLN CATALOG NUMBER INDEX

Product Number	Weight	List Price	Mult Sym	Page	Product Number	Weight	List Price	Mult Sym	Page	Product Number	Weight	List Price	Mult Sym	Page	Product Number	Weight	List Price	Mult Sym	Page
LM01260	64	795	LT-1A	198	LM03301	670	12626	LS-1	226	LM03740	712	6945	LT-1A	268	LM05463	99	673	LT-1A	270
LM01263	68	833	LT-1A	202	LM03332	490	7288	LS-1	224	LM03752	1213	10847	LT-1A	268	LM05471	126	764	LT-1A	271
LM01272	68	532	LT-1A	272	LM03333	550	8547	LS-1	226	LM03753	1213	10847	LT-1A	268	LM05488	115	822	LT-1A	270
LM01285	72	510	LT-1A	272	LM03348	740	13902	LS-1	224	LM03755	1234	11450	LT-1A	268	LM05496	134	888	LT-1A	271
LM01288	72	567	LT-1A	273	LM03349	740	15158	LS-1	226	LM03757	1234	12104	LT-1A	269	LM05525	160	1429	LT-1A	271
LM01301	71	942		198	LM03376	670	8548	LS-1	224	LM03758	1234	12105	LT-1A	269	LM05546	216	1484	LT-1A	271
LM01304	75	1001	LT-1A	202	LM03377	690	9806	LS-1	226	LM03760	1230	10725	LT-1A	268	LM06103	78	1178	LS-1	223
LM01324	72	580	LT-1A	272	LM03396	880	14595	LS-1	224	LM03761	1230	10725	LT-1A	268	LM06105	90	1469	LS-1	223
LM01327	76	637	LT-1A	273	LM03397	1000	15853	LS-1	226	LM03763	1251	11327	LT-1A	269	LM06109	90	1271	LS-1	223
LM01346	68	558	LT-1A	272	LM03424	740	10073	LS-1	224	LM03764	1272	11982	LT-1A	269	LM06111	121	2053	LS-1	223
LM01349	72	737	LT-1A	272	LM03425	740	11332	LS-1	226	LM03768	1377	12668	LT-1A	268	LM06113	74	1254	LS-1	223
LM01352	74	674	LT-1A	272	LM03444	1000	18369	LS-1	224	LM03770	1398	13270	LT-1A	269	LM06115	121	1739	LS-1	223
LM01365	64	795	LT-1A	272	LM03445	1000	19628	LS-1	226	LM03771	1419	13925	LT-1A	269	LM06117	121	2312	LS-1	223
LM01386	71	942	LT-1A	272	LM03472	1000	15232	LS-1	224	LM03772	1440	13088	LT-1A	268	LM06119	86	1459	LS-1	224
LM01405	71	942	LT-1A	246	LM03473	1000	16488	LS-1	226	LM03773	1440	13088	LT-1A	268	LM06121	135	2327	LS-1	224
LM01423	101	1117	LT-1A	198	LM03490	1290	19447	LS-1	224	LM03776	1435	13690	LT-1A	269	LM06123	186	4115	LS-1	224
LM01426	107	1184	LT-1A	202	LM03491	1290	20706	LS-1	226	LM03777	1482	14345	LT-1A	269	LM06125	115	1674	LS-1	224
LM01451	104	817	LT-1A	272	LM03516	1290	20254	LS-1	224	LM03779	1500	13680	LT-1A	268	LM06127	200	3732	LS-1	224
LM01454	110	877	LT-1A	273	LM03517	1290	21511	LS-1	226	LM03780	1500	13680	LT-1A	268	LM06129	219	4811	LS-1	224
LM01475	125	1251	LT-1A	202	LM03536	1480	24788	LS-1	224	LM03785	855	7858	LT-1A	267	LM06131	115	2232	LS-1	224
LM01486	119	896	LT-1A	272	LM03537	1480	26047	LS-1	226	LM03787	887	8757	LT-1A	269	LM06133	219	4283	LS-1	224
LM01489	125	964	LT-1A	273	LM03564	1480	24140	LS-1	224	LM03788	887	8758	LT-1A	269	LM06135	211	2415	LS-1	224
LM01516	95	788	LT-1A	272	LM03565	1490	25400	LS-1	226	LM03790	865	7155	LT-1A	268	LM08447	504	3770	LT-1A	272
LM01523	106	905	LT-1A	272	LM03596	1480	25526	LS-1	224	LM03791	865	7155	LT-1A	268	LM10336	26	411	LS-1	223
LM01543	118	1099	LT-1A	272	LM03597	1500	26782	LS-1	226	LM03792	881	7644	LT-1A	268	LM10337	28	479	LS-1	223
LM01546	116	919	LT-1A	272	LM03614	280	2489	LT-1A	267	LM03794	881	7640	LT-1A	268	LM10338	41	562	LS-1	223
LM01562	161	1662	LT-1A	272	LM03615	287	2643	LT-1A	268	LM03795	897	8054	LT-1A	269	LM10339	36	534	LS-1	223
LM01569	167	1750	LT-1A	202	LM03616	287	2643	LT-1A	268	LM03797	875	9916	LT-1A	268	LM10340	41	1028	LS-1	223
LM01577	148	1440	LT-1A	272	LM03618	296	2446	LT-1A	267	LM03799	948	7967	LT-1A	268	LM10346	43	1552	LS-1	225
LM01579	156	1477	LT-1A	273	LM03619	303	2587	LT-1A	268	LM03800	948	7967	LT-1A	268	LM10347	43	1621	LS-1	225
LM01608	162	1526	LT-1A	272	LM03623	303	2587	LT-1A	268	LM03804	964	8454	LT-1A	268	LM10348	43	1703	LS-1	225
LM01614	203	2056	LT-1A	203	LM03624	310	2930	LT-1A	269	LM03805	980	8866	LT-1A	269	LM10349	54	1677	LS-1	225
LM01626	194	1636	LT-1A	272	LM03625	310	2930	LT-1A	269	LM03806	980	8866	LT-1A	269	LM10350	54	2286	LS-1	225
LM01628	202	1726	LT-1A	273	LM03627	306	3026	LT-1A	267	LM03808	972	8124	LT-1A	268	LM10636	280	2489	LT-1A	267
LM01655	64	795	LT-1A	246	LM03628	306	3026	LT-1A	267	LM03809	972	8124	LT-1A	268	LM10637	328	2748	LT-1A	267
LM01662	165	1662	LT-1A	247	LM03631	328	2749	LT-1A	267	LM03810	988	8610	LT-1A	269	LM10638	296	2446	LT-1A	267
LM01663	157	1414	LT-1A	272	LM03632	335	2900	LT-1A	268	LM03812	988	8610	LT-1A	269	LM10639	422	3610	LT-1A	267
LM01666	198	1605	LT-1A	272	LM03633	335	2900	LT-1A	268	LM03813	1004	9023	LT-1A	269	LM10640	482	3955	LT-1A	267
LM01695	119	1184	LT-1A	247	LM03634	342	3244	LT-1A	269	LM03815	978	9975	LT-1A	268	LM10641	655	7206	LT-1A	267
LM01699	195	1967	LT-1A	272	LM03636	334	2679	LT-1A	267	LM03816	978	9975	LT-1A	268	LM10642	690	5630	LT-1A	267
LM01732	197	1774	LT-1A	272	LM03637	334	2679	LT-1A	267	LM03865	482	3955	LT-1A	267	LM10643	855	7858	LT-1A	267
LM01750	96	1117	LT-1A	247	LM03639	343	2627	LT-1A	268	LM03866	502	4516	LT-1A	269	LM10644	875	9916	LT-1A	268
LM01875	101	1117	LT-1A	247	LM03643	343	2627	LT-1A	268	LM03973	98	2801	LS-1	225	LM10645	1377	12668	LT-1A	268
LM01876	211	1967	LT-1A	272	LM03644	348	3175	LT-1A	269	LM03975	110	2746	LS-1	225	LM10725	295	2986	LT-1A	269
LM01924	119	1184	LT-1A	272	LM03645	348	3175	LT-1A	269	LM03981	110	2550	LS-1	225	LM10726	295	2986	LT-1A	269
LM02005	496	3253	LT-1A	273	LM03650	350	3490	LT-1A	267	LM03983	141	3331	LS-1	225	LM10727	342	3244	LT-1A	269
LM02009	506	3509	LT-1A	273	LM03651	350	3490	LT-1A	267	LM03987	98	2531	LS-1	225	LM10730	502	4516	LT-1A	269
LM02010	552	3691	LT-1A	273	LM03665	422	3610	LT-1A	267	LM03989	141	3019	LS-1	225	LM10741	897	8054	LT-1A	269
LM02013	562	3894	LT-1A	273	LM03666	422	3610	LT-1A	268	LM03991	141	3591	LS-1	225	LM10744	1004	9022	LT-1A	269
LM02157	542	4100	LT-1A	273	LM03667	442	4170	LT-1A	269	LM03995	110	2738	LS-1	226	LM10745	1419	13925	LT-1A	269
LM02159	556	4276	LT-1A	273	LM03668	442	4170	LT-1A	269	LM03997	155	3605	LS-1	226	LM10748	1272	11982	LT-1A	269
LM02323	508	3451	LT-1A	273	LM03669	420	3502	LT-1A	267	LM03999	206	5393	LS-1	226	LM10749	1482	14345	LT-1A	269
LM02386	682	5120	LT-1A	273	LM03670	420	3502	LT-1A	267	LM04003	115	2953	LS-1	226	LM10750	1600	14938	LT-1A	269
LM02394	755	5668	LT-1A	273	LM03671	439	3758	LT-1A	268	LM04005	220	5011	LS-1	226	LM10751	1600	14938	LT-1A	269
LM02444	986	7669	LT-1A	273	LM03673	439	3758	LT-1A	268	LM04007	239	6091	LS-1	226	LM12831	522	3505	LT-1C	192
LM02460	764	5581	LT-1A	273	LM03674	440	4062	LT-1A	269	LM04013	239	5562	LS-1	226	LM13455	701	4665	LT-3C	212
LM02578	682	4986	LT-1A	273	LM03675	440	4061	LT-1A	269	LM04125	278	1792	LT-1A	271	LM13457	835	5388	LT-3C	213
LM02579	698	6197	LT-1A	273	LM03681	425	4191	LT-1A	267	LM04136	282	2285	LT-1A	271	LM13458	701	4100	LT-3C	213
LM02676	28	284	LT-1A	272	LM03682	425	4191	LT-1A	267	LM04142	319	2255	LT-1A	271	LM13459	1053	6872	LT-3C	213
LM02679	28	440	LT-1A	272	LM03683	476	3722	LT-1A	267	LM04152	325	2611	LT-1A	271	LM13460	835	4774	LT-3C	213
LM02682	28	348	LT-1A	272	LM03684	476	3722	LT-1A	267	LM04278	378	2521	LT-1A	271	LM13461	8124	7664	LT-3C	209
LM02683	33	386	LT-1A	273	LM03685	486	3977	LT-1A	268	LM04288	410	3531	LT-1A	271	LM13462	1053	7718	LT-3C	213
LM02686	33	307	LT-1A	273	LM03686	486	3977	LT-1A	268	LM04292	444	2901	LT-1A	271	LM13463	1326	9309	LT-3D	213
LM02688	28	449	LT-1A	272	LM03687	496	4282	LT-1A	269	LM04299	462	3835	LT-1A	271	LM13464	1132	8756	LT-3C	213
LM02694	28	356	LT-1A	272	LM03691	484	4841	LT-1A	267	LM04416	575	3958	LT-1A	271	LM13465	1376	12095	LT-3D	213
LM02697	36	455	LT-1A	272	LM03692	484	4841	LT-1A	267	LM04421	618	5049	LT-1A	271	LM13466	1376	10592	LT-3D	

LINCOLN CATALOG NUMBER INDEX

Product Number	Weight	List Price	Mult Sym	Page	Product Number	Weight	List Price	Mult Sym	Page	Product Number	Weight	List Price	Mult Sym	Page	Product Number	Weight	List Price	Mult Sym	Page
LM13564	2185	39489	LT-1D	201	LM13754	1277	9101	LT-1D	192	LM13929	1002	10337	LT-1D	200	LM14810	822	8822	LT-1E	200
LM13565	2185	29363	LT-1D	201	LM13755	1938	9826	LT-1D	192	LM13930	1002	8958	LT-1D	200	LM14811	822	8746	LT-1E	200
LM13566	514	5151	LT-1C	203	LM13756	1277	9307	LT-1D	192	LM13931	1002	10183	LT-1D	200	LM14812	712	7866	LT-1E	192
LM13567	580	5161	LT-1C	203	LM13757	1438	11740	LT-1D	192	LM13932	882	8371	LT-1D	192	LM14813	712	7154	LT-1E	192
LM13568	514	4458	LT-1C	203	LM13758	1277	12164	LT-1D	193	LM13933	882	6005	LT-1D	192	LM14814	763	8227	LT-1E	192
LM13569	514	3874	LT-1C	203	LM13759	1449	10897	LT-1D	193	LM13934	882	6819	LT-1D	192	LM14815	763	7322	LT-1E	192
LM13570	568	5031	LT-1C	203	LM13760	1745	13785	LT-1D	193	LM13935	958	9718	LT-1D	192	LM15061	1745	15950	LT-1D	244
LM13571	568	4119	LT-1C	203	LM13761	1438	16380	LT-1D	193	LM13936	958	6914	LT-1D	192	LM15062	775	7315	LT-1C	195
LM13572	1372	12529	LT-1D	204	LM13762	1438	15108	LT-1D	193	LM13937	958	8117	LT-1D	192	LM15078	1351	12590	LT-1D	248
LM13573	1372	13192	LT-1D	204	LM13764	1745	19108	LT-1D	193	LM13938	918	8937	LT-1E	200	LM15079	1351	11974	LT-1D	248
LM13574	1372	12593	LT-1D	204	LM13765	1745	15950	LT-1D	193	LM13939	1002	12398	LT-1E	200	LM15080	1351	11925	LT-1D	248
LM13575	1525	14846	LT-1D	204	LM13767	1745	21630	LT-1D	193	LM13940	1002	11027	LT-1E	200	LM15081	1504	19745	LT-1D	248
LM13576	1525	16186	LT-1D	204	LM13768	1745	18355	LT-1D	193	LM13941	1002	11600	LT-1E	200	LM15082	1531	17177	LT-1D	248
LM13577	1525	14502	LT-1D	204	LM13770	2112	24468	LT-1D	193	LM13942	882	10575	LT-1E	192	LM15083	1504	16695	LT-1D	248
LM13578	1525	17299	LT-1D	204	LM13771	2112	22931	LT-1D	193	LM13943	882	7519	LT-1E	192	LM15084	1504	15582	LT-1D	248
LM13579	1525	20348	LT-1D	204	LM13774	479	4778	LT-1C	194	LM13944	882	7786	LT-1E	192	LM15085	1531	13889	LT-1D	248
LM13580	1525	17808	LT-1D	204	LM13775	532	5005	LT-1C	194	LM13945	958	12533	LT-1E	192	LM15086	1504	14245	LT-1D	248
LM13582	1833	24498	LT-1D	204	LM13776	479	3362	LT-1C	195	LM13946	958	8539	LT-1E	192	LM15087	1812	23852	LT-1D	249
LM13583	1833	21178	LT-1D	204	LM13777	479	4228	LT-1C	195	LM13947	958	9983	LT-1E	192	LM15089	1812	21436	LT-1D	249
LM13585	2206	29798	LT-1D	204	LM13778	532	3802	LT-1C	195	LM13948	363	2879	LT-1C	199	LM15091	1812	19081	LT-1D	248
LM13588	2206	32978	LT-1D	205	LM13779	532	4407	LT-1C	195	LM13949	363	2539	LT-1C	199	LM15092	1812	20503	LT-1D	249
LM13590	2206	40135	LT-1D	205	LM13780	1298	9684	LT-1D	195	LM13950	363	2762	LT-1C	199	LM15093	2185	39489	LT-1D	249
LM13591	2206	30056	LT-1D	205	LM13782	1298	9927	LT-1D	195	LM13951	408	3143	LT-1C	200	LM15094	2185	29363	LT-1D	249
LM13654	934	7960	LT-1D	204	LM13784	1298	12779	LT-1D	195	LM13952	408	2811	LT-1C	200	LM15096	2185	32331	LT-1D	249
LM13655	1018	10186	LT-1D	204	LM13785	1470	11504	LT-1D	195	LM13953	408	3161	LT-1C	199	LM15097	2185	23312	LT-1D	249
LM13656	1018	10824	LT-1D	204	LM13786	1766	14587	LT-1D	195	LM13954	348	3311	LT-1C	191	LM15098	2185	29152	LT-1D	249
LM13657	1018	9457	LT-1D	204	LM13787	1459	7001	LT-1D	196	LM13957	389	3650	LT-1C	192	LM15099	2185	23852	LT-1D	249
LM13662	85	695	LT-1B	202	LM13788	1459	15709	LT-1D	196	LM13960	363	3545	LT-1E	199	LM15100	1277	12283	LT-1D	244
LM13665	104	734	LT-1B	202	LM13790	1766	19773	LT-1D	196	LM13961	363	2790	LT-1E	199	LM15101	1277	9307	LT-1D	244
LM13666	95	683	LT-1B	202	LM13791	1298	12067	LT-1E	195	LM13962	363	3131	LT-1E	199	LM15103	1438	16380	LT-1D	244
LM13667	95	632	LT-1B	202	LM13792	1459	13032	LT-1E	195	LM13963	408	3773	LT-1E	200	LM15104	1438	15108	LT-1D	244
LM13668	138	985	LT-1B	202	LM13793	1298	12372	LT-1E	195	LM13964	408	3636	LT-1E	200	LM15106	1449	10897	LT-1D	244
LM13669	104	816	LT-1B	202	LM13794	1459	15442	LT-1E	195	LM13965	408	4112	LT-1E	199	LM15108	1745	21019	LT-1D	244
LM13673	755	4589	LT-3E	210	LM13795	1298	15976	LT-1E	195	LM13966	348	4489	LT-1E	191	LM15109	1745	18355	LT-1D	244
LM13675	731	5466	LT-3E	210	LM13796	1459	14508	LT-1E	195	LM13969	389	4757	LT-1E	192	LM15111	1745	19108	LT-1D	244
LM13696	504	5159	LT-1E	199	LM13797	1766	18246	LT-1E	195	LM14395	504	3762	LT-1C	248	LM15116	2112	23775	LT-1D	244
LM13697	558	5187	LT-1E	200	LM13798	1459	21096	LT-1E	196	LM14396	504	3618	LT-1C	248	LM15117	2112	22931	LT-1D	244
LM13698	504	5289	LT-1E	200	LM13799	1459	20259	LT-1E	196	LM14397	504	4023	LT-1C	247	LM15119	1351	15896	LT-1E	248
LM13699	504	5630	LT-1E	200	LM13800	149	1246	LT-1B	202	LM14398	558	4774	LT-1C	248	LM15120	1351	14723	LT-1E	248
LM13700	558	5522	LT-1E	200	LM13801	2133	23637	LT-1D	196	LM14399	558	4062	LT-1C	248	LM15121	1351	14825	LT-1E	248
LM13701	558	6224	LT-1E	200	LM13802	1766	22315	LT-1D	196	LM14400	570	4740	LT-1C	248	LM15122	1531	24932	LT-1E	248
LM13702	1351	14825	LT-1E	200	LM13803	1766	19039	LT-1D	196	LM14401	469	4267	LT-1C	244	LM15123	1531	20750	LT-1E	248
LM13703	1351	15896	LT-1E	200	LM13805	2133	24440	LT-1D	196	LM14402	469	3135	LT-1C	244	LM15124	1531	21082	LT-1E	248
LM13704	1351	14723	LT-1E	200	LM13806	2133	23597	LT-1D	196	LM14404	522	4437	LT-1C	244	LM15125	1531	19675	LT-1E	248
LM13705	1531	17988	LT-1E	200	LM13807	2133	26089	LT-1D	196	LM14405	522	3540	LT-1C	244	LM15126	1531	17236	LT-1E	248
LM13706	1531	19675	LT-1E	201	LM13808	2133	26089	LT-1D	196	LM14407	504	4350	LT-1E	248	LM15127	1531	17988	LT-1E	248
LM13707	1531	17236	LT-1E	201	LM13809	469	3781	LT-1E	191	LM14408	504	4183	LT-1E	248	LM15128	1812	30120	LT-1E	249
LM13708	1531	21082	LT-1E	201	LM13810	522	5254	LT-1E	191	LM14409	504	4688	LT-1E	247	LM15129	1812	27106	LT-1E	249
LM13709	1531	24932	LT-1E	201	LM13811	469	5188	LT-1E	192	LM14410	558	5522	LT-1E	248	LM15130	1812	24763	LT-1E	249
LM13710	1531	20750	LT-1E	201	LM13812	469	4744	LT-1E	192	LM14411	558	5019	LT-1E	248	LM15131	1812	24094	LT-1E	248
LM13711	1812	24094	LT-1E	201	LM13813	522	5235	LT-1E	192	LM14412	558	5187	LT-1E	248	LM15132	2185	49862	LT-1E	249
LM13712	1812	30120	LT-1E	201	LM13814	522	4872	LT-1E	192	LM14435	479	4081	LT-1E	194	LM15133	2185	38484	LT-1E	249
LM13713	1812	24763	LT-1E	201	LM13815	1277	11445	LT-1E	192	LM14549	514	4017	LT-1C	250	LM15135	2185	40829	LT-1E	249
LM13715	2185	37495	LT-1E	201	LM13816	1438	12409	LT-1E	192	LM14550	518	3874	LT-1C	250	LM15136	2185	33466	LT-1E	249
LM13716	1812	27106	LT-1E	201	LM13817	1277	11408	LT-1E	192	LM14551	500	4279	LT-1C	250	LM15137	2185	30112	LT-1E	249
LM13718	2133	38295	LT-1E	196	LM13818	1438	15265	LT-1E	192	LM14552	568	5031	LT-1C	250	LM15138	2185	37495	LT-1E	249
LM13719	2185	40829	LT-1E	201	LM13819	1277	15360	LT-1E	193	LM14553	568	4326	LT-1C	250	LM15159	1745	18355	LT-1D	193
LM13720	2185	33466	LT-1E	201	LM13820	1438	14031	LT-1E	193	LM14554	580	4741	LT-1C	250	LM15263	1018	11515	LT-1E	204
LM13721	2185	49862	LT-1E	201	LM13821	1745	17408	LT-1E	193	LM14556	479	3394	LT-1C	245	LM15308	1833	22129	LT-1D	204
LM13722	2185	38484	LT-1E	201	LM13822	1438	20482	LT-1E	193	LM14559	535	3802	LT-1C	245	LM15312	1766	16609	LT-1D	196
LM13723	514	4944	LT-1E	203	LM13823	1438	19648	LT-1E	193	LM14561	514	4606	LT-1E	250	LM15400	2206	22895	LT-1D	205
LM13724	568	5442	LT-1E	203	LM13824	1745	23438	LT-1E	193	LM14562	514	4438	LT-1E	250	LM15435	1326	9308	LT-3D	213
LM13725	514	5652	LT-1E	203	LM13825	1745	24129	LT-1E	193	LM14563	514	4944	LT-1E	250	LM15436	1376	12339	LT-3D	213
LM13726	514	5482	LT-1E	203	LM13826	1745	20336	LT-1E	193	LM14564	568	5777	LT-1E	250	LM15437	1376	10592	LT-3D	213
LM13727																			

LINCOLN CATALOG NUMBER INDEX

Product Number	Weight	List Price	Mult Sym	Page	Product Number	Weight	List Price	Mult Sym	Page	Product Number	Weight	List Price	Mult Sym	Page	Product Number	Weight	List Price	Mult Sym	Page
LM15555	834	7965	LT-1C	204	LM15826	188	1017	LT-3B	212	LM16259	93	716	LT-3B	209	LM16564	1600	14282	LT-1A	269
LM15556	834	7825	LT-1C	204	LM15827	205	1348	LT-3B	212	LM16260	71	689	LT-3B	209	LM16582	95	676	LT-1B	249
LM15557	834	6923	LT-1C	203	LM15828	205	1382	LT-3B	212	LM16261	63	617	LT-3B	209	LM16587	104	734	LT-1B	249
LM15558	724	4800	LT-1C	195	LM15829	205	1390	LT-3B	212	LM16262	132	782	LT-3B	209	LM16589	95	683	LT-1B	249
LM15559	724	5315	LT-1C	195	LM15836	335	1784	LT-3B	212	LM16263	88	782	LT-3B	209	LM16590	95	619	LT-1B	249
LM15560	775	5177	LT-1C	195	LM15837	335	1731	LT-3B	212	LM16264	95	703	LT-3B	209	LM16591	138	935	LT-1B	249
LM15561	775	6131	LT-1C	195	LM15838	335	1882	LT-3B	212	LM16265	182	935	LT-3B	209	LM16592	104	816	LT-1B	250
LM15562	777	7710	LT-1E	204	LM15839	378	2189	LT-3B	212	LM16266	113	890	LT-3B	209	LM16593	104	707	LT-1B	250
LM15563	777	7340	LT-1E	204	LM15841	378	2321	LT-3B	212	LM16267	129	763	LT-3B	209	LM16594	149	1246	LT-1B	250
LM15565	777	7180	LT-1E	203	LM15854	54	761	LT-3E	207	LM16268	213	1333	LT-3B	209	LM16595	175	1032	LT-1B	250
LM15566	834	9233	LT-1E	204	LM15856	56	722	LT-3E	207	LM16269	197	1080	LT-3B	210	LM16596	127	1019	LT-1B	250
LM15567	834	9155	LT-1E	204	LM15857	71	838	LT-3E	207	LM16270	204	1134	LT-3B	210	LM16597	221	1713	LT-1B	250
LM15568	834	8016	LT-1E	203	LM15866	107	877	LT-3E	207	LM16271	315	1824	LT-3B	210	LM16598	210	1347	LT-1B	250
LM15569	724	7587	LT-1E	195	LM15868	112	797	LT-3E	207	LM16272	228	1297	LT-3B	210	LM16599	200	1081	LT-1B	250
LM15570	724	7106	LT-1E	195	LM15869	108	988	LT-3E	207	LM16273	238	1297	LT-3B	210	LM16600	200	2137	LT-1B	250
LM15571	724	6495	LT-1E	195	LM15871	126	1029	LT-3E	207	LM16274	413	2278	LT-3B	210	LM16601	185	1807	LT-1B	250
LM15572	775	8649	LT-1E	195	LM15878	192	1236	LT-3E	207	LM16275	509	1923	LT-3B	210	LM16602	260	1572	LT-1B	250
LM15573	775	6004	LT-1E	195	LM15880	173	1345	LT-3E	207	LM16276	389	1898	LT-3B	210	LM16603	500	2839	LT-1C	250
LM15574	775	7276	LT-1E	195	LM15881	218	3357	LT-3E	208	LM16277	383	3084	LT-3C	210	LM16604	248	1963	LT-1B	250
LM15595	396	3840	LT-1C	195	LM15883	203	1503	LT-3E	207	LM16278	536	2187	LT-3B	210	LM16605	300	1849	LT-1B	250
LM15599	389	3129	LT-1C	244	LM15890	384	2052	LT-3E	208	LM16279	351	1969	LT-3B	210	LM16606	415	3316	LT-1C	250
LM15634	83	623	LT-1B	198	LM15892	223	2029	LT-3E	207	LM16280	504	3590	LT-3C	210	LM16607	370	2654	LT-1C	250
LM15635	83	585	LT-1B	198	LM15893	385	2512	LT-3E	208	LM16281	400	2866	LT-3C	210	LM16608	370	2506	LT-1C	250
LM15636	83	626	LT-1B	198	LM15895	368	2512	LT-3E	208	LM16282	460	2541	LT-3C	210	LM16644	104	878	LT-3E	212
LM15637	92	759	LT-1B	199	LM15919	236	1759	LT-1B	247	LM16283	290	3373	LT-3C	210	LM16650	109	960	LT-3E	212
LM15638	92	649	LT-1B	199	LM15921	835	7825	LT-1C	251	LM16284	455	2975	LT-3C	210	LM16656	249	2169	LT-3E	212
LM15639	92	675	LT-1B	198	LM15941	1504	17177	LT-1D	201	LM16287	983	7076	LT-3C	210	LM16716	934	9423	LT-1E	204
LM15646	83	964	LT-1E	198	LM16016	127	989	LT-1B	199	LM16288	989	6923	LT-3C	210	LM16717	1018	12085	LT-1E	204
LM15647	83	697	LT-1E	198	LM16017	127	954	LT-1B	199	LM16290	1051	8859	LT-3C	210	LM16719	1018	12883	LT-1E	204
LM15648	83	730	LT-1E	198	LM16018	127	939	LT-1B	198	LM16291	1030	8370	LT-3C	210	LM16728	95	788	LT-1E	202
LM15649	92	1034	LT-1E	199	LM16019	138	1174	LT-1B	199	LM16294	1270	10116	LT-3D	210	LM16739	104	870	LT-1E	202
LM15650	92	816	LT-1E	199	LM16020	138	1056	LT-1B	199	LM16298	95	619	LT-1B	205	LM16741	95	862	LT-1E	202
LM15651	92	812	LT-1E	198	LM16021	138	1178	LT-1B	199	LM16299	104	707	LT-1B	206	LM16742	95	756	LT-1E	202
LM15658	209	1580	LT-1B	199	LM16029	127	1073	LT-1E	199	LM16300	138	895	LT-1B	206	LM16744	138	1238	LT-1E	202
LM15659	209	1484	LT-1B	199	LM16030	127	1168	LT-1E	198	LM16301	149	1073	LT-1B	206	LM16745	104	975	LT-1E	202
LM15660	209	1803	LT-1B	199	LM16031	138	1353	LT-1E	199	LM16302	221	1572	LT-1B	206	LM16747	104	877	LT-1E	202
LM15661	236	1875	LT-1B	199	LM16032	138	1353	LT-1E	199	LM16303	248	1849	LT-1B	206	LM16748	149	1420	LT-1E	202
LM15662	236	1759	LT-1B	199	LM16033	138	1354	LT-1E	199	LM16307	83	618	LT-1B	246	LM16750	138	1180	LT-1E	203
LM15663	236	2048	LT-1B	199	LM16050	479	3362	LT-1C	195	LM16382	102	675	LT-1B	247	LM16752	138	1154	LT-1E	203
LM15670	209	1854	LT-1E	199	LM16052	514	3874	LT-1C	203	LM16383	72	623	LT-1B	247	LM16753	221	1943	LT-1E	203
LM15671	209	1662	LT-1E	199	LM16054	532	3802	LT-1C	195	LM16384	77	562	LT-1B	247	LM16755	149	1420	LT-1E	203
LM15672	209	1990	LT-1E	199	LM16055	568	4119	LT-1C	203	LM16385	127	917	LT-1B	247	LM16757	149	1419	LT-1E	203
LM15673	236	2415	LT-1E	199	LM16057	724	4800	LT-1C	195	LM16386	174	759	LT-1B	247	LM16759	248	2428	LT-1E	203
LM15674	236	2086	LT-1E	199	LM16059	777	6296	LT-1C	204	LM16387	92	649	LT-1B	247	LM16761	221	1943	LT-1E	203
LM15675	236	2338	LT-1E	199	LM16061	775	5177	LT-1C	195	LM16388	155	1178	LT-1B	247	LM16762	221	1999	LT-1E	203
LM15713	1983	15214	LT-3D	213	LM16063	834	7825	LT-1C	204	LM16389	143	1206	LT-1B	247	LM16764	370	3285	LT-1E	203
LM15714	1983	14562	LT-3D	213	LM16082	701	4664	LT-3C	212	LM16391	160	1002	LT-1B	247	LM16766	248	2445	LT-1E	203
LM15715	2110	18477	LT-3D	214	LM16083	701	4100	LT-3C	213	LM16392	209	1624	LT-1B	247	LM16767	248	2174	LT-1E	203
LM15716	2110	17530	LT-3D	213	LM16084	701	4477	LT-3C	213	LM16394	138	1424	LT-1B	247	LM16769	415	4264	LT-1E	203
LM15717	2572	29699	LT-3D	214	LM16088	835	5387	LT-3C	213	LM16395	138	1034	LT-1B	247	LM16770	370	3215	LT-1E	203
LM15718	2572	23825	LT-3D	214	LM16090	835	5752	LT-3C	213	LM16397	386	2048	LT-1B	247	LM16772	370	2915	LT-1E	203
LM15720	2883	40261	LT-3D	214	LM16158	1504	13889	LT-1D	201	LM16398	209	1580	LT-1B	247	LM16773	415	3788	LT-1E	203
LM15721	2883	36302	LT-3D	214	LM16219	1812	20735	LT-1D	201	LM16400	240	1484	LT-1B	247	LM16774	415	3788	LT-1E	203
LM15722	2883	38007	LT-3D	214	LM16220	1812	17727	LT-1D	201	LM16401	369	2684	LT-1C	247	LM16775	66	640	LT-3E	209
LM15723	2883	29700	LT-3D	214	LM16221	1812	17530	LT-1D	201	LM16403	290	1875	LT-1B	247	LM16777	66	799	LT-3E	209
LM15773	531	2985	LT-3C	212	LM16222	2185	25043	LT-1D	201	LM16404	408	3162	LT-1C	247	LM16778	66	678	LT-3E	209
LM15774	531	2627	LT-3C	212	LM16223	2185	21530	LT-1D	201	LM16406	410	2593	LT-1C	247	LM16780	66	876	LT-3E	209
LM15775	531	3223	LT-3C	212	LM16226	2112	22714	LT-1D	193	LM16407	320	2498	LT-1C	247	LM16781	66	713	LT-3E	209
LM15776	571	3541	LT-3C	213	LM16227	2112	17101	LT-1D	193	LM16484	59	567	LT-3B	211	LM16783	120	933	LT-3E	209
LM15777	571	3105	LT-3C	213	LM16228	2112	13785	LT-1D	193	LM16485	83	705	LT-3B	211	LM16784	120	897	LT-3E	209
LM15778	571	3780	LT-3C	212	LM16229	1812	26180	LT-1E	201	LM16486	74	688	LT-3B	211	LM16786	120	1008	LT-3E	209
LM15785	384	2714	LT-3C	208	LM16230	1812	21786	LT-1E	201	LM16488	80	590	LT-3B	211	LM16787	120	981	LT-3E	209
LM15786	440	2169	LT-3C	208	LM16231	1812	22136	LT-1E	201	LM16490	140	728	LT-3B	211	LM16789	183	1304	LT-3E	210
LM15786	440	2169	LT-3C	208	LM16232	2185	31625	LT-1E	201	LM16492	85	731	LT-3B	211	LM16790	183	1265	LT-3E	210
LM15787	485	2930	LT-3C	208	LM16233	2185	26002	LT-1E	201	LM16493	83	631	LT-3B	211	LM16792	183	1474	LT-3E	210
LM15788	428	3220	LT-3C	208	LM16235	1745	20030	LT-1E	193	LM16494	133	795	LT-3B	211	LM16793	183	1513		

LINCOLN CATALOG NUMBER INDEX

Product Number	Weight	List Price	Mult Sym	Page	Product Number	Weight	List Price	Mult Sym	Page	Product Number	Weight	List Price	Mult Sym	Page	Product Number	Weight	List Price	Mult Sym	Page
LM16888	199	1083	LT-3B	215	LM17183	104	974	LT-1E	250	LM17878	2110	19921	LT-3D	253	LM18294	1002	9699	LT-1D	248
LM16889	145	1017	LT-3B	215	LM17184	104	877	LT-1E	250	LM17879	2110	17510	LT-3D	253	LM18296	882	8371	LT-1D	244
LM16890	185	993	LT-3B	215	LM17185	149	1420	LT-1E	250	LM17880	2325	19947	LT-3D	253	LM18298	882	6005	LT-1D	244
LM16891	216	1456	LT-3B	215	LM17186	138	1180	LT-1E	250	LM17881	2110	17530	LT-3D	253	LM18302	958	10010	LT-1D	244
LM16892	199	1151	LT-3B	215	LM17187	138	1138	LT-1E	250	LM17882	2572	29700	LT-3D	253	LM18306	958	6914	LT-1D	244
LM16893	199	1229	LT-3B	215	LM17188	221	1943	LT-1E	250	LM17883	2572	26160	LT-3D	253	LM18307	1002	11027	LT-1E	248
LM16894	347	2049	LT-3B	215	LM17189	149	1474	LT-1E	250	LM17884	2572	24411	LT-3D	253	LM18319	1812	21436	LT-1D	201
LM16895	216	1414	LT-3B	215	LM17190	149	1419	LT-1E	250	LM17885	2572	23825	LT-3D	253	LM18320	378	2232	LT-3B	212
LM16896	216	1451	LT-3B	215	LM17191	248	2428	LT-1E	250	LM17887	2883	40261	LT-3D	253	LM18347	2185	22506	LT-1D	201
LM16897	390	2409	LT-3B	215	LM17192	221	1944	LT-1E	250	LM17888	2883	36302	LT-3D	253	LM18365	765	5209	LT-1C	248
LM16898	347	1872	LT-3B	215	LM17193	221	1751	LT-1E	250	LM17889	2883	36926	LT-3D	253	LM18366	765	5879	LT-1C	248
LM16899	402	1819	LT-3B	215	LM17194	370	3287	LT-1E	250	LM17890	2883	28957	LT-3D	253	LM18367	765	5861	LT-1C	248
LM16900	537	3377	LT-3C	215	LM17195	248	2296	LT-1E	250	LM17891	2883	38007	LT-3D	253	LM18368	765	6084	LT-1E	248
LM16927	390	2276	LT-3B	215	LM17196	248	2174	LT-1E	250	LM17892	2883	29700	LT-3D	253	LM18369	765	6693	LT-1E	248
LM16928	390	2319	LT-3B	215	LM17197	415	4264	LT-1E	250	LM17893	152	22506	LT-1D	201	LM18370	765	6847	LT-1E	248
LM16929	577	3933	LT-3C	215	LM17198	370	3216	LT-1E	250	LM17894	89	769	LT-3B	215	LM18371	822	6513	LT-1C	248
LM16930	537	3139	LT-3C	215	LM17199	370	2915	LT-1E	250	LM17895	2185	28461	LT-1E	201	LM18372	822	7415	LT-1C	248
LM16931	537	2781	LT-3C	215	LM17382	355	3075	LT-1E	194	LM17957	2112	26818	LT-1E	193	LM18373	822	7555	LT-1C	248
LM16932	708	4921	LT-3C	215	LM17384	396	4817	LT-1E	195	LM17958	2112	24612	LT-1E	193	LM18374	822	7606	LT-1E	248
LM16934	577	3694	LT-3C	216	LM17385	898	8060	LT-1E	195	LM17989	84	607	LT-3B	214	LM18375	822	8746	LT-1E	248
LM16935	582	3257	LT-3C	216	LM17386	974	10294	LT-1E	195	LM17990	89	723	LT-3B	214	LM18376	822	8822	LT-1E	248
LM16936	842	5643	LT-3C	216	LM17387	898	7554	LT-1E	195	LM17991	80	726	LT-3B	215	LM18378	712	4486	LT-1C	244
LM16937	708	4732	LT-3C	216	LM17388	898	11075	LT-1E	195	LM17992	89	629	LT-3B	215	LM18379	712	5589	LT-1C	244
LM16938	708	4354	LT-3C	216	LM17389	974	9040	LT-1E	195	LM17993	152	785	LT-3B	215	LM18384	763	4748	LT-1C	244
LM16939	1062	7284	LT-3C	216	LM17390	974	13035	LT-1E	195	LM17994	89	769	LT-3B	215	LM18385	763	6893	LT-1C	244
LM16940	842	6006	LT-3C	216	LM17556	558	4264	LT-1C	200	LM17995	89	669	LT-3B	215	LM18394	504	3798	LT-1C	200
LM16942	842	5031	LT-3C	216	LM17562	701	4477	LT-3C	213	LM17996	145	852	LT-3B	215	LM18395	504	4334	LT-1C	200
LM16943	1145	8535	LT-3C	216	LM17565	835	5752	LT-3C	213	LM17997	152	865	LT-3B	215	LM18397	558	5264	LT-1C	200
LM16944	1062	7742	LT-3C	216	LM17572	701	4665	LT-3C	253	LM17998	152	765	LT-3B	215	LM18398	765	5879	LT-1C	200
LM16945	1066	7574	LT-3C	216	LM17585	1983	13487	LT-3D	213	LM17999	199	1083	LT-3B	215	LM18399	822	7415	LT-1C	200
LM16946	1339	9794	LT-3D	216	LM17586	1983	15214	LT-3D	213	LM18000	145	1017	LT-3B	215	LM18536	389	3650	LT-1C	192
LM16947	1141	9704	LT-3C	216	LM17587	2110	17530	LT-3D	213	LM18001	145	901	LT-3B	215	LM18540	469	3138	LT-1C	192
LM16948	1141	9166	LT-3C	216	LM17588	2110	19947	LT-3D	214	LM18002	216	1456	LT-3B	215	LM18542	522	3505	LT-1C	192
LM16949	1389	11841	LT-3D	216	LM17589	2110	17510	LT-3D	214	LM18003	199	1150	LT-3B	215	LM18543	522	4353	LT-1C	192
LM16950	1389	12826	LT-3D	216	LM17590	2110	19921	LT-3D	214	LM18004	199	1405	LT-3B	215	LM18724	1449	10897	LT-1D	193
LM16952	1389	11078	LT-3D	216	LM17591	2110	18477	LT-3D	214	LM18005	347	1971	LT-3B	215	LM18725	712	4540	LT-1C	192
LM16954	2006	15948	LT-3D	216	LM17592	2110	23390	LT-3D	214	LM18006	216	1415	LT-3B	215	LM18727	763	4748	LT-1C	192
LM16955	2006	15817	LT-3D	216	LM17594	2572	24410	LT-3D	214	LM18007	216	1484	LT-3B	215	LM18729	882	6005	LT-1D	192
LM16956	2006	14091	LT-3D	216	LM17597	2883	29700	LT-3D	214	LM18008	390	2409	LT-3B	215	LM18731	712	6872	LT-1C	192
LM16957	2133	18133	LT-3D	216	LM17598	2883	38007	LT-3D	214	LM18009	347	1872	LT-3B	215	LM18746	974	7416	LT-1D	195
LM16958	2133	19080	LT-3D	216	LM17599	2883	28957	LT-3D	214	LM18010	347	1819	LT-3B	215	LM18748	958	6914	LT-1D	192
LM16959	2133	17006	LT-3D	216	LM17600	2883	36926	LT-3D	214	LM18011	537	3377	LT-3C	215	LM18751	898	6506	LT-1D	195
LM16960	2133	20551	LT-3D	216	LM17601	2883	36302	LT-3D	214	LM18012	390	2277	LT-3B	215	LM18752	1277	9307	LT-1D	195
LM16961	2133	23993	LT-3D	216	LM17602	2883	40261	LT-3D	214	LM18013	390	2319	LT-3B	215	LM18753	1298	9927	LT-1D	195
LM16962	2133	20524	LT-3D	216	LM17627	1376	12339	LT-3D	213	LM18014	577	3933	LT-3C	215	LM18754	1470	11504	LT-1D	195
LM16963	2595	24470	LT-3D	216	LM17648	1053	7333	LT-3C	213	LM18016	537	2781	LT-3C	215	LM18755	1338	12465	LT-3D	241
LM16964	2595	30346	LT-3D	217	LM17654	1132	9295	LT-3C	213	LM18017	708	4921	LT-3C	215	LM18756	1002	10852	LT-1D	241
LM16965	2581	25056	LT-3D	217	LM17685	1537	17808	LT-1D	251	LM18018	577	3695	LT-3C	216	LM18757	2185	23937	LT-1D	242
LM16966	2906	30346	LT-3D	217	LM17694	1690	16538	LT-3D	241	LM18019	577	3257	LT-3C	216	LM18759	1002	12883	LT-1E	241
LM16967	2906	36948	LT-3D	217	LM17695	1727	16045	LT-3D	241	LM18020	842	5643	LT-3C	216	LM18897	370	2531	LT-1C	203
LM16968	2595	26806	LT-3D	217	LM17696	1960	19879	LT-3D	241	LM18021	708	4732	LT-3C	216	LM18899	363	2879	LT-1C	199
LM16969	2906	38654	LT-3D	217	LM17697	2070	18651	LT-3D	241	LM18022	708	4354	LT-3C	216	LM18902	408	3142	LT-1C	200
LM16970	2906	40908	LT-3D	217	LM17698	2458	21909	LT-3D	241	LM18023	1062	7282	LT-3C	216	LM18907	415	2965	LT-1C	203
LM16971	2906	29604	LT-3D	217	LM17700	3087	26344	LT-3D	241	LM18024	842	6006	LT-3C	216	LM19034	74	567	LT-3B	252
LM16973	2906	37573	LT-3D	217	LM17701	2760	26899	LT-3D	242	LM18025	842	5031	LT-3C	216	LM19035	83	685	LT-3B	252
LM17036	355	2127	LT-1C	194	LM17702	3408	32068	LT-3D	242	LM18026	1141	8535	LT-3C	216	LM19036	74	688	LT-3B	252
LM17043	898	7191	LT-1D	195	LM17704	3500	40211	LT-3D	242	LM18027	1062	7742	LT-3C	216	LM19037	83	590	LT-3B	252
LM17044	974	9136	LT-1D	195	LM17705	3218	33147	LT-3D	242	LM18028	1062	7574	LT-3C	216	LM19038	140	727	LT-3B	252
LM17045	898	6506	LT-1D	195	LM17706	3400	38750	LT-3D	242	LM18029	1339	9794	LT-3D	216	LM19039	83	730	LT-3B	252
LM17046	898	8872	LT-1D	195	LM17707	1351	14351	LT-1D	241	LM18030	1141	9704	LT-3C	216	LM19040	72	631	LT-3B	252
LM17047	974	7416	LT-1D	195	LM17708	1351	14086	LT-1D	241	LM18031	1141	9166	LT-3C	216	LM19041	133	902	LT-3B	252
LM17048	974	10510	LT-1D	195	LM17709	1504	17059	LT-1D	241	LM18032	1389	11841	LT-3D	216	LM19042	140	808	LT-3B	252
LM17059	83	730	LT-1E	246	LM17710	1504	16466	LT-1D	241	LM18033	1389	12826	LT-3D	216	LM19043	140	708	LT-3B	252
LM17062	92	812	LT-1E	247	LM17711	1504	19510	LT-1D	241	LM18034	1389	11078	LT-3D	216	LM19044	188	1017	LT-3B	252
LM17063	83	827	LT-1E	247	LM17712	1504	19245	LT-1D	241	LM18044	2006	15164	LT-3D	216	LM19045</				

LINCOLN CATALOG NUMBER INDEX

Product Number	Weight	List Price	Mult Sym	Page	Product Number	Weight	List Price	Mult Sym	Page	Product Number	Weight	List Price	Mult Sym	Page	Product Number	Weight	List Price	Mult Sym	Page
LM19252	80	607	LT-3B	217	LM19607	1372	12529	LT-1D	251	LM19918	842	6006	LT-3C	254	LM20394	260	2047	LU-1	236
LM19253	80	726	LT-3B	217	LM19608	1372	13192	LT-1D	251	LM19919	842	5031	LT-3C	254	LM20488	482	4210	LT-1A	268
LM19254	89	629	LT-3B	217	LM19609	1372	12593	LT-1D	251	LM19920	1141	8535	LT-3C	254	LM20642	1525	14502	LT-1D	204
LM19256	89	669	LT-3B	217	LM19610	1525	14846	LT-1D	251	LM19921	1062	7742	LT-3C	254	LM20655	26	764	LT-1A	229
LM19257	152	865	LT-3B	217	LM19611	1525	16186	LT-1D	251	LM19922	1062	7574	LT-3C	254	LM20656	35	802	LT-1A	230
LM19258	152	765	LT-3B	217	LM19612	1525	14502	LT-1D	251	LM19923	1339	9166	LT-3D	254	LM20657	35	802	LT-1A	231
LM19259	145	1017	LT-3B	217	LM19613	1525	17299	LT-1D	251	LM19924	1141	9794	LT-3C	254	LM20658	24	792	LT-1A	229
LM19260	145	901	LT-3B	217	LM19614	1525	20348	LT-1D	251	LM19925	1141	9705	LT-3C	254	LM20659	35	830	LT-1A	230
LM19261	199	1151	LT-3B	217	LM19615	1833	19728	LT-1D	251	LM19926	1389	11841	LT-3D	254	LM20660	35	830	LT-1A	231
LM19262	199	1203	LT-3B	217	LM19616	1833	24498	LT-1D	251	LM19927	1389	12826	LT-3D	255	LM20661	35	866	LT-1A	230
LM19263	216	1415	LT-3B	217	LM19617	1833	21178	LT-1D	251	LM19928	1389	11078	LT-3D	255	LM20662	35	866	LT-1A	231
LM19264	216	1451	LT-3B	217	LM19619	2206	29798	LT-1D	251	LM19929	2006	15165	LT-3D	255	LM20663	35	904	LT-1A	230
LM19265	347	1872	LT-3B	217	LM19620	1833	22129	LT-1D	251	LM19930	2006	15817	LT-3D	255	LM20664	35	904	LT-1A	231
LM19266	347	1819	LT-3B	217	LM19623	2206	32978	LT-1D	251	LM19931	2006	14091	LT-3D	255	LM20665	40	1098	LT-1A	230
LM19267	390	2278	LT-3B	217	LM19624	2206	22895	LT-1D	251	LM19932	2133	18133	LT-3D	255	LM20666	40	1098	LT-1A	231
LM19268	390	2319	LT-3B	217	LM19625	2206	40135	LT-1D	251	LM19933	2133	19080	LT-3D	255	LM20667	35	829	LT-1A	229
LM19269	80	726	LT-3B	217	LM19626	2206	30056	LT-1D	251	LM19934	2133	17006	LT-3D	255	LM20668	40	866	LT-1A	230
LM19270	80	606	LT-3B	217	LM19703	571	3541	LT-3C	253	LM19935	2133	20551	LT-3D	255	LM20669	40	866	LT-1A	231
LM19271	89	629	LT-3B	217	LM19704	571	3104	LT-3C	253	LM19936	2133	23994	LT-3D	255	LM20670	35	864	LT-1A	229
LM19272	89	769	LT-3B	217	LM19705	835	5387	LT-3C	253	LM19937	2133	20524	LT-3D	255	LM20671	40	904	LT-1A	230
LM19273	89	669	LT-3B	217	LM19706	701	4476	LT-3C	253	LM19938	2595	24470	LT-3D	255	LM20672	40	904	LT-1A	231
LM19274	152	865	LT-3B	217	LM19707	701	4100	LT-3C	253	LM19939	2595	30346	LT-3D	255	LM20673	35	1034	LT-1A	229
LM19275	152	765	LT-3B	217	LM19708	835	5752	LT-3C	253	LM19940	2595	25056	LT-3D	255	LM20674	40	1073	LT-1A	230
LM19276	145	1017	LT-3B	217	LM19709	835	4774	LT-3C	253	LM19941	2906	30346	LT-3D	255	LM20675	40	1072	LT-1A	231
LM19277	145	900	LT-3B	217	LM19713	724	4800	LT-1C	245	LM19942	2906	36948	LT-3D	255	LM20676	64	1350	LT-1A	230
LM19278	199	1150	LT-3B	217	LM19716	771	5177	LT-1C	245	LM19943	2595	26806	LT-3D	255	LM20677	73	1409	LT-1A	230
LM19279	199	1160	LT-3B	217	LM19719	898	6506	LT-1D	245	LM19944	2906	38653	LT-3D	255	LM20678	73	1409	LT-1A	231
LM19280	216	1415	LT-3B	217	LM19722	974	7416	LT-1D	245	LM19945	2906	40906	LT-3D	255	LM20679	70	1536	LT-1A	230
LM19281	216	1450	LT-3B	217	LM19725	1292	9927	LT-1D	245	LM19946	2906	29604	LT-3D	255	LM20680	79	1594	LT-1A	230
LM19282	347	1872	LT-3B	217	LM19728	1470	11504	LT-1D	245	LM19947	2906	49818	LT-3D	255	LM20681	79	1594	LT-1A	231
LM19283	347	1819	LT-3B	217	LM19731	1459	15709	LT-1D	245	LM19948	2906	37573	LT-3D	255	LM20695	1459	15709	LT-1D	196
LM19284	390	2277	LT-3B	217	LM19734	1766	16609	LT-1D	245	LM20028	525	3248	LU-1	236	LM20707	120	1007	LU-1	235
LM19285	390	2319	LT-3B	217	LM19747	637	4990	LT-3E	208	LM20029	525	3734	LU-1	236	LM20708	120	909	LU-1	235
LM19327	537	3139	LT-3C	215	LM19748	689	5664	LT-3E	208	LM20030	748	5458	LU-1	236	LM20709	108	1085	LU-1	235
LM19530	1063	8445	LU-1	237	LM19749	664	4706	LT-3E	208	LM20031	750	5341	LU-1	236	LM21031	30	708	LT-1A	229
LM19531	1160	7299	LU-1	236	LM19750	602	4334	LT-3E	208	LM20032	989	8339	LT-3E	210	LM21032	35	746	LT-1A	230
LM19532	1130	8443	LU-1	237	LM19751	835	7297	LT-3E	208	LM20035	777	6495	LT-1E	250	LM21033	35	746	LT-1A	231
LM19533	1110	10859	LU-1	237	LM19752	732	6047	LT-3E	208	LM20036	834	8016	LT-1E	250	LM21034	30	752	LT-1A	229
LM19534	1787	16075	LU-1	237	LM19753	744	5412	LT-3E	208	LM20037	777	7256	LT-1E	251	LM21035	35	790	LT-1A	230
LM19535	1787	15116	LU-1	237	LM19754	955	8625	LT-3E	208	LM20038	778	7560	LT-1E	251	LM21036	35	790	LT-1A	231
LM19545	633	4898	LT-3C	208	LM19755	918	7787	LT-3E	208	LM20039	934	9423	LT-1E	251	LM21037	30	817	LT-1A	229
LM19546	565	4240	LT-3C	208	LM19756	980	7929	LT-3E	208	LM20040	834	9233	LT-1E	251	LM21038	35	858	LT-1A	230
LM19547	540	4069	LT-3C	208	LM19757	1156	7960	LT-3E	208	LM20041	834	9155	LT-1E	251	LM21039	35	856	LT-1A	231
LM19549	799	6248	LT-3C	208	LM19758	1001	9868	LT-3E	208	LM20042	1018	12085	LT-1E	251	LM21040	30	872	LT-1A	229
LM19550	581	5228	LT-3C	208	LM19759	1018	9469	LT-3E	208	LM20043	1018	12883	LT-1E	251	LM21041	35	911	LT-1A	230
LM19552	1063	7385	LT-3C	208	LM19760	1280	12343	LT-3E	208	LM20044	1001	11515	LT-1E	251	LM21042	35	911	LT-1A	231
LM19553	936	6665	LT-3C	208	LM19762	1338	11979	LT-3E	209	LM20045	1372	15428	LT-1E	251	LM21043	34	970	LT-1A	229
LM19554	920	6450	LT-3C	208	LM19765	1874	15287	LT-3E	209	LM20046	1372	16499	LT-1E	251	LM21044	40	1008	LT-1A	230
LM19555	1227	8462	LT-3D	208	LM19768	2070	17874	LT-3E	209	LM20047	1372	15328	LT-1E	251	LM21045	40	1008	LT-1A	231
LM19556	1001	8449	LT-3C	208	LM19795	1098	9879	LT-3E	210	LM20048	1552	18591	LT-1E	251	LM21046	35	906	LT-1A	229
LM19557	1088	7946	LT-3C	208	LM19798	1213	12466	LT-3E	210	LM20049	1552	20366	LT-1E	251	LM21047	40	943	LT-1A	230
LM19558	1289	10322	LT-3D	208	LM19877	571	3703	LT-3E	253	LM20050	1552	17840	LT-1E	251	LM21048	40	943	LT-1A	231
LM19559	1296	11218	LT-3D	209	LM19880	748	4769	LT-3E	253	LM20051	1552	21687	LT-1E	251	LM21049	35	1010	LT-1A	229
LM19560	1338	9611	LT-3D	209	LM19882	835	5731	LT-3E	253	LM20052	1552	25535	LT-1E	251	LM21050	40	1048	LT-1A	230
LM19561	1874	13237	LT-3D	209	LM19883	62	607	LT-3B	254	LM20053	1552	21352	LT-1E	251	LM21051	40	1048	LT-1A	231
LM19562	1874	13831	LT-3D	209	LM19884	72	723	LT-3B	254	LM20054	1833	24740	LT-1E	251	LM21052	64	1206	LT-1A	230
LM19563	1874	12261	LT-3D	209	LM19885	80	726	LT-3B	254	LM20055	1833	30764	LT-1E	251	LM21053	73	1264	LT-1A	230
LM19564	2042	15936	LT-3D	209	LM19886	89	629	LT-3B	254	LM20056	1833	25409	LT-1E	251	LM21054	73	1264	LT-1A	231
LM19565	2099	16797	LT-3D	209	LM19887	152	785	LT-3B	254	LM20058	2206	38141	LT-1E	251	LM21055	70	1707	LT-1A	230
LM19566	2116	14911	LT-3D	209	LM19888	89	769	LT-3B	254	LM20059	1833	27753	LT-1E	251	LM21056	79	1765	LT-1A	230
LM19567	2042	18133	LT-3D	209	LM19889	89	669	LT-3B	254	LM20061	2206	41475	LT-1E	251	LM21057	79	1765	LT-1A	231
LM19568	2332	21264	LT-3D	209	LM19890	145	852	LT-3B	254	LM20062	2206	34112	LT-1E	251	LM21061	30	829	LT-1A	229
LM19569	2305	18110	LT-3D	209	LM19891	152	865	LT-3B	254	LM20063	2206	50508	LT-1E	251	LM21062	30	864	LT-1A	229
LM19570	3087	21659	LT-3D	209	LM19892	152	765	LT-3B	254	LM20064	2206	39131	LT-1E	251	LM21063	34	1060	LT-1A	229
LM19571	2685	26999	LT-3D	209	LM19893	199	1083	LT-3B	254	LM20081	348	2422	LT-1C	244	LM21084	108	741	LU-1	235
LM19572	2760	22192	LT-3D	209	LM19894	145	1017	LT-3B	254	LM20085	485	3440	LT-1E	248	LM21085	120	817		

LINCOLN CATALOG NUMBER INDEX

Product Number	Weight	List Price	Mult Sym	Page	Product Number	Weight	List Price	Mult Sym	Page	Product Number	Weight	List Price	Mult Sym	Page	Product Number	Weight	List Price	Mult Sym	Page
LM21177 *	389	2685	LS-1	221	LM21800	1130	8443	LU-1	237	LM22163	33	971	LT-1A	229	LM23728	170	1011	LU-1	235
LM21180	469	3411	LS-1	221	LM21801	1685	11094	LU-1	237	LM22207	2920	55097	LL-2	228	LM23729	170	1191	LU-1	236
LM21188	83	777	LS-1	218	LM21802	1685	14662	LU-1	237	LM22210	5500	54901	LL-1	214	LM23730	170	1159	LU-1	235
LM21189	83	795	LS-1	218	LM21807	748	3571	LU-1	236	LM22211	5500	79640	LL-1	214	LM23731	260	1456	LU-1	236
LM21190	83	732	LS-1	218	LM21808	748	4672	LU-1	236	LM22212	5500	75727	LL-1	214	LM23732	260	1938	LU-1	236
LM21191	92	833	LS-1	218	LM21809	750	4371	LU-1	236	LM22213	5500	87886	LL-1	214	LM23733	260	1769	LU-1	236
LM21192	92	924	LS-1	218	LM21810	748	4307	LU-1	236	LM22214	5500	76901	LL-2	228	LM23734	332	2117	LU-1	236
LM21193	92	816	LS-1	218	LM21811	748	5459	LU-1	236	LM22215	5500	81176	LL-2	228	LM23735	525	2431	LU-1	236
LM21194	127	1054	LS-1	218	LM21812	750	5341	LU-1	236	LM22216	2850	59990	LL-2	228	LM23736	525	2594	LU-1	236
LM21195	127	1249	LS-1	219	LM21813	977	7198	LU-1	236	LM22217	2875	64607	LL-2	228	LM23737	525	2984	LU-1	236
LM21196	127	1077	LS-1	219	LM21814	1160	6449	LU-1	236	LM22218	2850	47661	LL-2	228	LM23738	748	3734	LU-1	236
LM21197	138	1405	LS-1	218	LM21815	1063	8445	LU-1	237	LM22219	2875	50683	LL-2	228	LM23739	750	3492	LU-1	236
LM21198	138	1367	LS-1	219	LM21816	1160	7299	LU-1	236	LM22220	2970	61971	LL-2	228	LM23740	748	4363	LU-1	236
LM21199	138	1203	LS-1	219	LM21817	1110	9401	LU-1	236	LM22221	5500	65776	LL-2	228	LM23741	750	4269	LU-1	236
LM21200	209	1789	LS-1	219	LM21818	1110	10484	LU-1	237	LM22222	5500	69796	LL-2	228	LM23742	977	6374	LU-1	236
LM21201	209	1825	LS-1	219	LM21819	1110	10859	LU-1	237	LM22223	5500	75416	LL-2	228	LM23743	1160	5155	LU-1	236
LM21202	209	1729	LS-1	219	LM21821	1787	12931	LU-1	237	LM22224	5500	80379	LL-2	228	LM23744	1063	7559	LU-1	237
LM21203	236	2293	LS-1	219	LM21822	1787	12750	LU-1	237	LM22225	5500	65121	LL-2	228	LM23745	1160	6167	LU-1	236
LM21204	236	2119	LS-1	219	LM21823	1787	16075	LU-1	237	LM22226	5500	67145	LL-2	228	LM23746	1110	7512	LU-1	236
LM21205	236	2003	LS-1	219	LM21824	1787	15118	LU-1	237	LM22227	5500	71447	LL-2	228	LM23747	1110	8380	LU-1	237
LM21206	363	3023	LS-1	219	LM21826	120	798	LU-1	237	LM22423	109	2125	LT-1A	230	LM23748	1110	8679	LU-1	237
LM21207	363	2840	LS-1	219	LM21827	120	863	LU-1	237	LM22424	121	2192	LT-1A	230	LM23749	1787	10892	LU-1	237
LM21208	363	2631	LS-1	219	LM21828	120	914	LU-1	237	LM22425	121	2192	LT-1A	231	LM23750	1787	10190	LU-1	237
LM21209	408	3501	LS-1	219	LM21829	132	1048	LU-1	237	LM22426	125	2536	LT-1A	230	LM23751	1787	13067	LU-1	237
LM21210	408	3281	LS-1	219	LM21831	132	877	LU-1	237	LM22427	139	2602	LT-1A	230	LM23752	1787	12083	LU-1	237
LM21211	408	3078	LS-1	219	LM21832	132	967	LU-1	237	LM22428	139	2602	LT-1A	231	LM23758	108	684	LU-1	237
LM21212	504	4396	LS-1	219	LM21833	120	920	LU-1	237	LM22435	109	1954	LT-1A	230	LM23769	108	722	LU-1	237
LM21213	504	4134	LS-1	219	LM21834	120	1144	LU-1	237	LM22436	121	2021	LT-1A	230	LM23770	170	763	LU-1	237
LM21214	504	3990	LS-1	219	LM21835	120	1041	LU-1	237	LM22437	121	2021	LT-1A	231	LM23771	108	728	LU-1	237
LM21215	570	5365	LS-1	219	LM21836	181	1171	LU-1	238	LM22438	125	2232	LT-1A	230	LM23772	108	902	LU-1	237
LM21216	558	5147	LS-1	219	LM21837	181	1112	LU-1	237	LM22439	139	2299	LT-1A	230	LM23773	108	822	LU-1	237
LM21217	558	4281	LS-1	219	LM21838	181	1270	LU-1	237	LM22440	139	2299	LT-1A	231	LM23774	170	943	LU-1	237
LM21218	765	5625	LS-1	219	LM21839	181	1409	LU-1	238	LM22488	5500	75745	LL-2	228	LM23775	170	1085	LU-1	237
LM21219	765	7672	LS-1	219	LM21840	181	1453	LU-1	238	LM22489	5500	120731	LL-1	214	LM23776	170	1207	LU-1	238
LM21220	765	6203	LS-1	219	LM21841	181	1557	LU-1	237	LM22644	28	423	LS-1	218	LM23778	170	1225	LU-1	237
LM21221	822	6977	LS-1	219	LM21842	272	1694	LU-1	238	LM22645	33	461	LS-1	220	LM23779	260	1543	LU-1	238
LM21222	822	8019	LS-1	219	LM21843	272	1910	LU-1	238	LM22646	28	408	LS-1	218	LM23780	260	1928	LU-1	238
LM21223	822	7881	LS-1	219	LM21844	272	2160	LU-1	238	LM22647	28	447	LS-1	220	LM23781	120	863	LU-1	239
LM21224	918	8030	LS-1	219	LM21845	272	2135	LU-1	238	LM22648	28	487	LS-1	218	LM23782	132	967	LU-1	239
LM21225	1002	10281	LS-1	219	LM21846	272	2300	LU-1	238	LM22649	33	525	LS-1	220	LM23783	120	920	LU-1	239
LM21226	1002	10919	LS-1	219	LM21847	344	2738	LU-1	238	LM22650	28	581	LS-1	218	LM23784	272	1910	LU-1	239
LM21227	1002	10209	LS-1	219	LM21848	531	3193	LU-1	238	LM22651	33	619	LS-1	220	LM23799	260	1857	LU-1	238
LM21228	1351	12948	LS-1	219	LM21849	531	3400	LU-1	238	LM22652	28	434	LS-1	218	LM23800	260	2206	LU-1	238
LM21229	1351	13610	LS-1	219	LM21850	531	2937	LU-1	238	LM22653	33	472	LS-1	220	LM23801	525	2584	LU-1	238
LM21230	1351	12682	LS-1	219	LM21851	531	3886	LU-1	238	LM22654	28	495	LS-1	218	LM23802	525	2749	LU-1	238
LM21231	1504	15265	LS-1	219	LM21852	755	4395	LU-1	238	LM22655	28	533	LS-1	220	LM23803	525	3137	LU-1	238
LM21232	1504	16604	LS-1	219	LM21853	755	4927	LU-1	238	LM22656	36	588	LS-1	218	LM23804	748	4065	LU-1	238
LM21233	1504	14671	LS-1	219	LM21854	757	4627	LU-1	238	LM22657	36	626	LS-1	220	LM23805	750	3748	LU-1	238
LM21234	1504	17717	LS-1	219	LM21855	755	4563	LU-1	238	LM22658	28	495	LS-1	218	LM23806	748	4618	LU-1	238
LM21235	1504	20766	LS-1	219	LM21856	755	5712	LU-1	238	LM22659	33	533	LS-1	220	LM23807	750	4524	LU-1	238
LM21236	1504	17453	LS-1	219	LM21857	757	5597	LU-1	238	LM22660	28	511	LS-1	218	LM23808	977	6164	LU-1	238
LM21237	1812	20473	LS-1	219	LM21858	917	6034	LU-1	238	LM22661	33	548	LS-1	220	LM23809	1160	5565	LU-1	238
LM21238	1812	21003	LS-1	219	LM21859	986	7608	LU-1	238	LM22662	28	530	LS-1	218	LM23810	1063	7159	LU-1	239
LM21239	2185	22731	LS-1	220	LM21860	1169	6858	LU-1	238	LM22663	33	568	LS-1	220	LM23811	1160	6244	LU-1	238
LM21240	2185	26806	LS-1	219	LM21861	989	7507	LU-1	239	LM22664	28	563	LS-1	218	LM23812	1110	7999	LU-1	238
LM21242	2185	30915	LS-1	220	LM21862	1072	8855	LU-1	239	LM22665	28	600	LS-1	220	LM23813	1110	8867	LU-1	239
LM21243	2185	42592	LS-1	220	LM21863	1169	7707	LU-1	238	LM22666	36	571	LS-1	218	LM23814	1110	9166	LU-1	239
LM21244	2185	22444	LS-1	220	LM21864	1123	9889	LU-1	238	LM22667	36	610	LS-1	220	LM23815	1787	10940	LU-1	239
LM21378	108	807	LU-1	235	LM21865	1143	8929	LU-1	239	LM22758	1745	15950	LT-1D	193	LM23816	1787	10793	LU-1	239
LM21379	108	858	LU-1	235	LM21866	1123	10971	LU-1											

LINCOLN CATALOG NUMBER INDEX

Product Number	Weight	List Price	Mult Sym	Page	Product Number	Weight	List Price	Mult Sym	Page	Product Number	Weight	List Price	Mult Sym	Page	Product Number	Weight	List Price	Mult Sym	Page
LM24076	20	396	LT-1A	202	LM24164	62	560	LT-3B	207	LM24295	24	484	LT-1A	246	LM24608	30	495	SP-1	189
LM24077	27	383	LT-1A	205	LM24165	22	298	LT-1A	198	LM24315	1810	13534	LU-1	240	LM24609	30	471	SP-1	189
LM24078	27	372	LT-1A	198	LM24167	57	614	LT-3B	207	LM24343	40	440	LT-1B	194	LM24610	32	466	SP-1	187
LM24079	28	410	LT-1A	202	LM24169	48	585	LT-1E	191	LM24344	34	419	LT-1B	194	LM24611	32	555	SP-1	189
LM24080	27	409	LT-1A	205	LM24170	34	353	LT-1B	243	LM24345	36	471	LT-1A	194	LM24612	32	536	SP-1	189
LM24081	50	440	LT-1A	202	LM24171	138	847	LT-1B	191	LM24346	22	376	LT-1A	194	LM24613	30	383	SP-1	188
LM24082	44	402	LT-1B	191	LM24172	87	487	LT-1B	191	LM24347	39	476	LT-1A	198	LM24614	32	409	SP-1	188
LM24083	17	369	LT-1A	205	LM24173	121	690	LT-1B	191	LM24349	38	538	LT-1A	202	LM24615	30	481	SP-1	188
LM24084	39	463	LT-1A	205	LM24174	138	882	LT-1B	191	LM24354	21	396	LT-1A	249	LM24616	32	543	SP-1	188
LM24085	41	428	LT-1B	202	LM24175	215	1225	LT-1B	191	LM24355	18	371	LT-1A	249	LM24622	41	435	SP-1	188
LM24086	44	436	LT-1B	202	LM24177	83	439	LT-1B	191	LM24357	TBD	476	LT-1A	272	LM24624	35	585	SP-1	184
LM24087	46	458	LT-1B	202	LM24178	135	1179	LT-1B	191	LM24358	TBD	391	LT-1A	272	LM24627	24	341	SP-1	187
LM24088	41	391	LT-1B	198	LM24179	233	1539	LT-1B	191	LM24359	TBD	407	LT-1A	272	LM24628	24	401	SP-1	188
LM24089	31	518	LT-1B	198	LM24180	123	651	LT-3B	199	LM24442	14	388	AG-1	257	LM24631	2	49	LM-1	295
LM24090	41	420	LT-1B	198	LM24180	123	651	LT-3B	207	LM24443	15	444	AG-1	257	LM24674	21	296	SP-1	184
LM24091	45	398	LT-1B	198	LM24181	88	704	LT-1B	191	LM24444	19	511	AG-1	257	LM24675	33	461	SP-1	184
LM24092	34	543	LT-1B	198	LM24182	365	1489	LT-3B	199	LM24445	20	420	AG-1	257	LM24676	30	440	SP-1	184
LM24093	15	303	LT-1A	205	LM24182	365	1489	LT-3B	208	LM24446	23	511	AG-1	257	LM24677	49	607	SP-1	184
LM24094	24	388	LT-1A	198	LM24183	194	830	LT-3B	199	LM24447	17	325	AG-1	257	LM24678	65	621	SP-1	184
LM24095	31	434	LT-1A	202	LM24183	194	830	LT-3B	207	LM24448	17	356	AG-1	257	LM24679	57	707	SP-1	184
LM24096	26	428	LT-1A	205	LM24184	200	1807	LT-1B	191	LM24449	21	395	AG-1	257	LM24680	78	668	SP-1	184
LM24097	40	420	LT-1A	198	LM24185	227	1010	LT-3B	199	LM24450	23	461	AG-1	257	LM24681	78	843	SP-1	184
LM24098	17	294	LT-1A	190	LM24185	227	1010	LT-3B	208	LM24457	17	265	SP-1	184	LM24682	87	797	SP-1	184
LM24099	20	326	LT-1A	190	LM24186	420	1765	LT-3B	199	LM24458	17	268	SP-1	186	LM24683	118	1170	SP-1	184
LM24100	28	496	LT-1B	191	LM24186	420	1765	LT-3B	208	LM24462	23	409	AG-1	259	LM24684	140	1659	SP-1	184
LM24101	40	373	LT-1B	190	LM24187	161	1484	LT-1B	191	LM24463	23	466	AG-1	259	LM24685	50	673	SP-1	186
LM24102	53	600	LT-1E	198	LM24188	108	833	LT-3B	207	LM24465	18	241	SP-1	184	LM24687	41	510	SP-1	184
LM24102	56	600	LT-3E	207	LM24189	90	564	LT-3B	198	LM24467	16	218	SP-1	184	LM24688	16	230	SP-1	185
LM24103	29	495	LT-1A	198	LM24189	90	564	LT-3B	207	LM24486	21	358	AG-1	258	LM24689	17	241	SP-1	185
LM24104	24	522	LT-1A	202	LM24190	300	1898	LT-1E	191	LM24487	17	319	AG-1	258	LM24690	19	313	SP-1	185
LM24105	24	484	LT-1A	198	LM24191	370	1736	LT-3B	208	LM24488	10	306	AG-1	258	LM24691	37	703	SP-1	185
LM24106	36	387	LT-1A	191	LM24193	155	1054	LT-1E	191	LM24491	18	358	AG-1	258	LM24692	32	480	SP-1	185
LM24107	16	293	LT-1A	198	LM24194	125	944	LT-1E	191	LM24492	17	319	AG-1	258	LM24693	40	607	SP-1	185
LM24108	45	420	LT-1B	247	LM24195	117	922	LT-3E	207	LM24496	36	650	SP-1	187	LM24694	50	608	SP-1	185
LM24109	36	417	LT-1B	246	LM24196	334	2098	LT-3B	208	LM24497	41	752	SP-1	187	LM24695	85	690	SP-1	185
LM24110	23	330	LT-1A	246	LM24198	188	1054	LT-3B	207	LM24502	26	378	SP-1	184	LM24696	94	967	SP-1	185
LM24111	22	339	LT-1A	190	LM24199	350	1814	LT-1E	191	LM24503	25	436	SP-1	186	LM24697	22	378	SP-1	185
LM24112	29	435	LT-1A	205	LM24200	104	820	LT-1B	191	LM24504	25	473	SP-1	186	LM24698	50	575	SP-1	185
LM24113	40	557	LT-1B	202	LM24201	217	1231	LT-3B	208	LM24505	25	419	SP-1	185	LM24699	26	438	SP-1	185
LM24114	21	330	LT-1A	202	LM24202	91	670	LT-1E	191	LM24507	45	604	SP-1	185	LM24700	30	500	SP-1	185
LM24115	57	577	LT-3B	198	LM24205	105	860	LT-1B	194	LM24513	41	528	SP-1	187	LM24701	40	535	SP-1	185
LM24115	57	577	LT-3B	207	LM24206	93	630	LT-1B	194	LM24514	41	659	SP-1	189	LM24705	19	255	SP-1	187
LM24116	34	353	LT-1B	190	LM24207	368	2283	LT-3E	208	LM24515	41	607	SP-1	189	LM24706	23	293	SP-1	187
LM24117	28	359	LT-1A	190	LM24208	322	1880	LT-3E	208	LM24521	47	636	AG-1	260	LM24707	30	325	SP-1	187
LM24118	30	395	LT-1A	198	LM24209	194	1111	LT-3E	207	LM24523	26	459	SP-1	185	LM24708	31	381	SP-1	187
LM24119	32	449	LT-1B	198	LM24212	112	424	LT-1A	270	LM24524	25	440	SP-1	184	LM24709	34	513	SP-1	187
LM24120	33	454	LT-1B	191	LM24213	213	1445	LT-3E	208	LM24525	23	312	SP-1	184	LM24710	39	500	SP-1	187
LM24121	38	514	LT-1A	202	LM24214	150	1102	LT-1B	191	LM24526	24	331	SP-1	185	LM24711	42	528	SP-1	187
LM24122	47	581	LT-1B	202	LM24215	118	822	LT-1A	270	LM24527	35	600	SP-1	185	LM24712	41	653	SP-1	187
LM24123	48	500	LT-1B	190	LM24216	164	1170	LT-1A	271	LM24530	40	488	SP-1	188	LM24713	54	749	SP-1	187
LM24124	44	425	LT-1B	243	LM24217	197	1396	LT-1A	271	LM24531	35	500	SP-1	187	LM24714	48	704	SP-1	187
LM24125	39	513	LT-1B	205	LM24218	86	489	LT-1A	270	LM24532	35	586	SP-1	189	LM24715	69	765	SP-1	187
LM24126	25	425	LT-1A	202	LM24219	215	1225	LT-1B	244	LM24533	40	653	SP-1	187	LM24716	99	875	SP-1	187
LM24127	64	674	LT-1E	198	LM24220	103	697	LT-1A	270	LM24534	40	687	SP-1	189	LM24717	98	1057	SP-1	187
LM24127	64	674	LT-3E	207	LM24222	56	598	LT-1E	191	LM24535	35	428	SP-1	188	LM24718	98	1043	SP-1	187
LM24128	23	499	LT-1A	205	LM24224	126	724	LT-3B	207	LM24539	35	527	SP-1	188	LM24719	120	1430	SP-1	187
LM24129	22	336	LT-1A	202	LM24225	106	994	LT-1A	191	LM24540	24	400	SP-1	184	LM24720	133	1380	SP-1	187
LM24130	33	514	LT-1A	205	LM24227	83	439	LT-1B	243	LM24541	17	435	SP-1	184	LM24721	138	1755	SP-1	187
LM24131	33	472	LT-1A	196	LM24228	134	1184	LT-1A	191	LM24542	30	605	SP-1	184	LM24722	155	1791	SP-1	187
LM24132	29	488	LT-1A	205	LM24229	121	690	LT-1B	243	LM24543	38	683	SP-1	184	LM24723	17	312	SP-1	188
LM24133	23	380	LT-1A	198	LM24230	154	962	LT-3B	207	LM24544	33	629	SP-1	185	LM24724	21	308	SP-1	188
LM24134	22	368	LT-1A	202	LM24231	138	847	LT-1B	243	LM24545	25	436	SP-1	187	LM24725	23	313	SP-1	188
LM24135	41	463	LT-1A	202	LM24232	233	1539	LT-1B	244	LM24546	28	457	SP-1	187	LM24726	30	353	SP-1	188
LM24136	28	495	LT-1A	198	LM24233	221	1425	LT-1B	191	LM24549	18	313	SP-1	186	LM24727	31	405	SP-1	188
LM24137	47	458	LT-1B	249	LM24234	93	613	LT-1B	196	LM24550	18	316	SP-1	186	LM24728	41	642	SP-1	188
LM24138	22	315	LT-1A	205	LM24237	74	577	LT-1B	191	LM24551	22	306	SP-1	184	LM24729	40	692	SP-1	188
LM24139	24	391	LT-1A	205	LM24238	88	756	LT-1A	190	LM24552	22	356	SP-1	186	LM24730	40	692	SP-1	188
LM24140	26	533	LT-1A	202	LM24239	88	511	LT-1B	191	LM24553	23	375	SP-1	186	LM24731	52	871	SP-1	188
LM24142	48	398	LT-1B	246	LM24240	115	812	LT-1B	194	LM24555	21	346	SP-1	185	LM24				

LINCOLN CATALOG NUMBER INDEX

Product Number	Weight	List Price	Mult Sym	Page	Product Number	Weight	List Price	Mult Sym	Page	Product Number	Weight	List Price	Mult Sym	Page	Product Number	Weight	List Price	Mult Sym	Page
LM24781	88	1155	AG-1	260	LM24919	23	409	LT-1A	196	LM25061	28	359	LT-1A	243	LM25159	46	534	LJ-1	233
LM24782	135	1812	AG-1	260	LM24920	29	440	LT-1A	196	LM25062	25	457	LT-1A	243	LM25160	27	463	LJ-1	233
LM24783	70	907	AG-3	260	LM24921	25	472	LT-1A	196	LM25063	36	443	LT-1A	243	LM25161	31	534	LJ-1	233
LM24784	83	962	AG-3	260	LM24922	35	472	LT-1A	196	LM25064	33	436	LT-1A	243	LM25163	27	505	LJ-1	234
LM24785	115	1270	AG-3	260	LM24923	31	504	LT-1A	196	LM25065	28	421	LT-1B	243	LM25164	29	619	LJ-1	233
LM24786	29	390	AG-1	259	LM24924	33	504	LT-1A	196	LM25066	40	373	LT-1B	243	LM25165	31	576	LJ-1	234
LM24787	35	442	AG-1	259	LM24925	63	491	LT-1A	196	LM25067	28	496	LT-1B	243	LM25203	181	1171	LU-1	239
LM24788	52	544	AG-1	259	LM24926	84	562	LT-1A	196	LM25068	33	455	LT-1B	243	LM25221	TBD	411	LT-1A	272
LM24789	24	341	AG-1	256	LM24927	95	761	LT-1A	196	LM25069	88	511	LT-1B	243	LM25419	28	948	LT-1A	229
LM24790	25	400	AG-1	256	LM24928	128	958	LT-1A	196	LM25070	87	488	LT-1B	243	LM25420	34	1070	LT-1A	229
LM24791	30	471	AG-1	256	LM24929	17	261	LT-1A	198	LM25071	88	704	LT-1B	243	LM25421	35	1561	LT-1A	229
LM24792	32	537	AG-1	256	LM24930	20	311	LT-1A	198	LM25072	15	292	LT-1A	245	LM25422	70	1725	LT-1A	229
LM24793	35	550	AG-1	256	LM24931	22	448	LT-1A	198	LM25073	18	294	LT-1A	245	LM25423	109	2165	LT-1A	230
LM24794	41	607	AG-1	256	LM24932	23	364	LT-1A	198	LM25074	17	331	LT-1A	245	LM25424	125	2850	LT-1A	230
LM24795	42	607	AG-1	256	LM24933	54	918	LT-1B	198	LM25075	21	340	LT-1A	245	LM25470	76	620	LT-1A	270
LM24796	64	863	AG-1	256	LM24934	72	674	LT-1B	198	LM25076	20	365	LT-1A	245	LM25496	132	877	LU-1	239
LM24797	92	930	AG-1	256	LM24935	51	558	LT-1A	198	LM25077	24	388	LT-1A	245	LM25539	TBD	394	LT-1A	273
LM24798	90	1216	AG-1	256	LM24936	64	595	LT-1B	198	LM25078	22	376	LT-1A	245	LM25541	89	769	LT-3B	217
LM24799	130	1500	AG-1	256	LM24937	77	500	LT-1B	198	LM25079	23	428	LT-1A	245	LM25599	TBD	411	LT-1A	270
LM24800	67	852	AG-1	256	LM24938	125	850	LT-1B	198	LM25080	28	396	LT-1A	245	LM25631	54	614	LT-3B	207
LM24801	85	976	AG-1	256	LM24939	81	728	LT-1B	199	LM25081	25	473	LT-1A	245	LM25633	89	651	LT-3B	207
LM24802	125	1173	AG-1	256	LM24940	85	570	LT-1B	199	LM25082	36	471	LT-1A	245	LM25634	84	724	LT-3B	207
LM24803	126	1458	AG-1	256	LM24941	140	1023	LT-1B	199	LM25083	33	473	LT-1A	245	LM25635	300	1940	LT-3B	207
LM24804	125	1589	AG-1	256	LM24942	109	886	LT-1B	199	LM25084	34	419	LT-1B	245	LM25636	393	2189	LT-3B	208
LM24805	150	1791	AG-1	256	LM24943	115	764	LT-1B	199	LM25085	40	440	LT-1B	245	LM25637	63	640	LT-1E	198
LM24806	40	626	SP-1	184	LM24944	126	1127	LT-1B	199	LM25086	44	471	LT-1B	245	LM25638	82	841	LT-3E	207
LM24807	2	49	LM-1	295	LM24945	135	944	LT-1B	199	LM25087	83	552	LT-1B	245	LM25639	56	542	LT-3B	198
LM24808	2	49	LM-1	296	LM24946	21	298	LT-1A	202	LM25088	93	630	LT-1B	245	LM25667	181	1557	LU-1	239
LM24809	24	485	AG-1	258	LM24948	22	487	LT-1A	202	LM25089	115	812	LT-1B	245	LM25736	12	59	LM-1	296
LM24810	1	49	LM-1	296	LM24949	31	749	LT-1A	202	LM25090	138	999	LT-1B	245	LM25737	15	112	LM-1	295
LM24811	18	49	LM-1	296	LM24950	41	488	LT-1B	202	LM25091	215	1312	LT-1B	245	LM25738	10	112	LM-1	296
LM24812	31	484	AG-1	259	LM24951	54	685	LT-1B	202	LM25092	233	1627	LT-1B	245	LM25739	10	112	LM-1	296
LM24813	32	602	AG-1	259	LM24952	56	732	LT-1B	202	LM25093	16	293	LT-1A	246	LM25740	15	144	LM-1	295
LM24814	41	1013	AG-1	259	LM24953	53	595	LT-1A	202	LM25094	22	298	LT-1A	246	LM25927	TBD	394	LT-1A	273
LM24815	7	49	LM-1	296	LM24954	66	626	LT-1B	202	LM25095	30	359	LT-1A	246	LM25962	57	657	LS-1	220
LM24858	21	463	LT-1A	205	LM24955	79	563	LT-1B	202	LM25096	24	388	LT-1A	246	LM25991	51	604	LS-1	218
LM24866	19	236	LT-1A	190	LM24956	90	916	LT-1B	202	LM25097	27	372	LT-1A	246	LM26008	57	617	LS-1	220
LM24867	18	241	LT-1A	190	LM24957	85	787	LT-1B	202	LM25098	25	426	LT-1A	246	LM26028	TBD	410	LT-1A	273
LM24868	19	405	LT-1A	190	LM24958	90	629	LT-1B	202	LM25099	30	395	LT-1A	246	LM26039	TBD	1256	LT-1A	271
LM24869	22	255	LT-1A	190	LM24959	115	1089	LT-1B	202	LM25100	39	476	LT-1A	247	LM26081	52	612	LS-1	220
LM24870	21	301	LT-1A	190	LM24960	118	953	LT-1B	203	LM25101	40	420	LT-1A	247	LM26097	46	573	LS-1	218
LM24871	35	494	LT-1E	190	LM24961	135	904	LT-1B	203	LM25102	34	449	LT-1B	246	LM26098	51	580	LS-1	218
LM24872	29	461	LT-1A	190	LM24962	125	1193	LT-1B	203	LM25103	39	518	LT-1B	247	LM26109	82	2286	LS-1	225
LM24873	55	623	LT-1A	190	LM24963	135	999	LT-1B	203	LM25112	41	538	LJ-1	234	LM26181	TBD	1613	LT-1A	271
LM24874	23	391	LT-1A	190	LM24964	14	281	LT-1A	205	LM25113	28	423	LJ-1	233	LM26233	65	1156	LS-1	223
LM24875	45	517	LT-1E	190	LM24965	31	749	LT-1A	205	LM25114	26	528	LJ-1	234	LM26278	85	2456	LS-1	225
LM24876	80	590	LT-1B	190	LM24966	29	522	LT-1A	205	LM25115	22	425	LJ-1	233	LM26323	57	730	LS-1	220
LM24877	25	457	LT-1A	191	LM24967	49	852	LT-1A	205	LM25116	29	577	LJ-1	233	LM26359	62	1041	LS-1	223
LM24878	33	436	LT-1A	191	LM24968	28	409	LT-1A	205	LM25117	29	465	LJ-1	234	LM26383	51	690	LS-1	218
LM24879	18	294	LT-1A	193	LM24969	33	514	LT-1A	205	LM25118	37	576	LJ-1	234	LM26679	10	95	LM-1	296
LM24880	17	331	LT-1A	193	LM24970	27	425	LT-1A	205	LM25119	34	484	LJ-1	234	LM27283	5500	83530	LL-2	228
LM24881	33	485	LT-1A	193	LM24971	31	421	LT-1A	205	LM25120	27	504	LJ-1	234	LM27284	5500	96268	LL-2	228
LM24882	21	340	LT-1A	194	LM24972	69	607	LT-1A	205	LM25121	30	581	LJ-1	234	LM27285	5500	106005	LL-2	228
LM24883	26	522	LT-1A	194	LM24973	30	488	LT-1A	205	LM25122	42	678	LJ-1	234	LM27286	7200	86665	LL-2	228
LM24884	24	388	LT-1A	194	LM24974	80	673	LT-1A	205	LM25123	22	400	LJ-1	233	LM27287	7200	92287	LL-2	228
LM24885	29	499	LT-1A	194	LM24975	40	558	LT-1A	205	LM25124	20	359	LJ-1	233	LM27288	5500	125487	LL-2	228
LM24886	48	538	LT-1B	194	LM24976	40	558	LT-1A	205	LM25125	41	538	LJ-1	234	LM27289	7200	129213	LL-2	228
LM24887	23	428	LT-1A	194	LM24977	72	615	LT-1A	205	LM25126	23	386	LJ-1	233	LM27292	5500	93293	LL-1	214
LM24888	28	459	LT-1B	194	LM24978	50	581	LT-1A	205	LM25127	28	571	LJ-1	233	LM27293	7200	108099	LL-1	214
LM24889	28	396	LT-1A	194	LM24979	76	550	LT-1A	205	LM25128	21	467	LJ-1	234	LM27294	5500	125456	LL-1	214
LM24890	80	648	LT-1B	194	LM24980	75	849	LT-1A	205	LM25129	41	498	LJ-1	233	LM27295	7200	129122	LL-1	214
LM24891	25	473	LT-1A	194	LM24981	79	706	LT-1A	206	LM25130	37	534	LJ-1	233	LM27576	20	269	LM-1	296
LM24892	28	534	LT-1B	194	LM24982	92	632	LT-1A	206	LM25131	22	440	LJ-1	233	LM27681	25	194	LM-1	296
LM24893	74	668	LT-1B	194	LM24983	80	1150	LT-1A	206	LM25132	46	576	LJ-1	234	LM27810	630	4342	LT-3C	208
LM24894	33	473	LT-1A	194	LM24984	100	914	LT-1A	206	LM25133	34	442	LJ-1	233	LM27812	575	3721	LT-3C	208
LM24895	33	492	LT-1B	194	LM24985	80	925	LT-1A	206	LM25134	42	678	LJ-1	234	LM27816	835	4774	LT-3C	213
LM24896	83	562	LT-1B	194	LM24986	103	812	LT-1A	206	LM25135	28	613	LJ-1	233	LM27884	269	4282	LT-1A	269
LM24897	104	810	LT-1B	194	LM24987	102	1193	LT-1A	206	LM25136	21	440	LJ-1	234	LM27971	537	6004	C	266
LM24898	83	591	LT-1B	194	LM24988	135	976	LT-1A	206	LM25137</									

LINCOLN CATALOG NUMBER INDEX

Product Number	Weight	List Price	Mult Sym	Page	Product Number	Weight	List Price	Mult Sym	Page	Product Number	Weight	List Price	Mult Sym	Page	Product Number	Weight	List Price	Mult Sym	Page	
LM28135	385	4040	C	264	LM28920	79	436	HP1-A	263	LM30535	392	4040	C	264						
LM28136	480	4603	C	264	LM28921	98	490	HP1-A	263	LM30568	159	1662	LT-1A	199						
LM28137	471	4603	C	264	LM28922	61	490	HP1-A	263	LM30572	235	3693	LS-1	226						
LM28138	505	5025	C	264	LM28923	118	490	HP1-A	263	LM30647	522	5306	C	265						
LM28139	505	5025	C	264	LM28924	112	723	HP1-A	263	LM30648	522	5306	C	265						
LM28140	472	4603	C	264	LM28925	84	723	HP1-A	263	LM30649	715	6533	C	265						
LM28141	472	4603	C	264	LM28926	123	723	HP1-A	263	LM30650	715	6533	C	265						
LM28142	538	5228	C	264	LM28968	127	1113	LT-1E	199	LM30651	765	7281	C	265						
LM28143	525	5228	C	264	LM29189	27	595	LT-1A	232	LM30652	765	7281	C	265						
LM28144	552	5607	C	265	LM29190	22	590	LT-1A	232	LM30655	145	2702	C	265						
LM28145	516	5131	C	265	LM29191	30	613	LT-1A	232	LM30663	145	2702	C	265						
LM28146	516	5131	C	265	LM29192	23	607	LT-1A	232	LM30676	338	3552	C	264						
LM28147	575	6282	C	265	LM29193	35	708	LT-1A	232	LM30677	365	3745	C	264						
LM28148	575	6282	C	265	LM29194	31	706	LT-1A	232	LM30678	365	3745	C	264						
LM28149	755	7087	C	265	LM29213	44	739	LT-1A	232	LM30679	233	2974	C	264						
LM28150	755	7087	C	265	LM29214	39	795	LT-1B	232	LM30680	233	2974	C	264						
LM28151	715	6282	C	265	LM29215	37	736	LT-1A	232	LM30681	240	3274	C	264						
LM28152	715	6282	C	265	LM29216	38	758	LT-1B	232	LM30682	240	3274	C	264						
LM28153	783	6996	C	265	LM29217	45	770	LT-1A	232	LM30702	397	4290	C	266						
LM28154	783	6996	C	265	LM29218	46	827	LT-1B	232	LM30720	350	3573	C	264						
LM28155	800	7281	C	265	LM29219	44	767	LT-1A	232	LM30721	350	3573	C	264						
LM28156	800	7281	C	265	LM29220	45	789	LT-1B	232	LM30722	400	4153	C	265						
LM28157	765	6996	C	265	LM29221	49	878	LT-1A	232	LM30723	400	4153	C	265						
LM28158	765	6996	C	265	LM29222	53	982	LT-1B	232	LM30724	470	4756	C	265						
LM28159	964	9300	C	265	LM29223	51	875	LT-1A	232	LM30725	470	4756	C	265						
LM28160	964	9300	C	265	LM29224	52	902	LT-1B	232	LM30732	230	2992	C	265						
LM28161	888	8234	C	265	LM29441	48	769	SP-1	188	LM30733	230	2992	C	265						
LM28162	888	8234	C	265	LM29574	350	2017	LT-1C	191	LM30734	305	3411	C	266						
LM28163	870	7905	C	265	LM29575	375	2795	LT-1C	191	LM30735	305	3411	C	266						
LM28164	870	7905	C	265	LM29576	350	2503	LT-1E	191	LM30736	355	3882	C	266						
LM28165	1277	11253	C	265	LM29577	400	2887	LT-1	191	LM30737	355	3882	C	266						
LM28166	1277	11253	C	265	LM29578	400	2580	LT-1C	194	LM30739	396	4176	C	266						
LM28167	943	9695	C	265	LM29579	350	2360	LS-1	221	LM30740	396	4176	C	266						
LM28168	943	9695	C	265	LM29580	350	2244	LT-1C	194	LM30746	532	5534	C	266						
LM28169	960	9300	C	265	LM29581	350	2088	LT-1C	244	LM30747	532	5534	C	266						
LM28170	960	9300	C	265	LM29600	37	739	LT-1A	232	LM30748	220	3053	C	266						
LM28200	150	2754	C	265	LM29601	45	736	LT-1A	232	LM30749	220	3053	C	266						
LM28201	150	2754	C	265	LM29656	110	796	SU1-A	261	LM30750	355	3587	C	266						
LM28202	225	2992	C	265	LM29657	110	796	SU1-A	261	LM30751	355	3587	C	266						
LM28203	225	2992	C	265	LM29658	110	796	SU1-A	261	LM30752	249	3353	C	266						
LM28204	202	3053	C	265	LM29659	112	815	SU1-A	261	LM30753	249	3353	C	266						
LM28205	202	3053	C	265	LM29660	112	815	SU1-A	261	LM30754	480	4830	C	266						
LM28206	355	3587	C	265	LM29661	112	815	SU1-A	261	LM30755	480	4830	C	266						
LM28207	355	3587	C	265	LM29662	115	888	SU1-A	261	LM30756	532	5359	C	266						
LM28208	330	3710	C	266	LM29663	115	888	SU1-A	261	LM30757	532	5359	C	266						
LM28209	330	3710	C	266	LM29664	115	888	SU1-A	261	LM30758	715	6647	C	266						
LM28210	388	4176	C	266	LM29665	119	990	SU1-A	261	LM30760	355	3763	C	266						
LM28211	388	4176	C	266	LM29666	119	990	SU1-A	261	LM30762	397	4290	C	266						
LM28212	379	4452	C	266	LM29667	119	990	SU1-A	261	LM30763	480	4984	C	266						
LM28213	379	4452	C	266	LM29668	132	1269	SU1-A	261	LM30764	480	4984	C	266						
LM28214	480	4830	C	266	LM29669	132	1269	SU1-A	261	LM30765	715	6647	C	266						
LM28215	480	4830	C	266	LM29670	132	1269	SU1-A	261	LM30826	3408	26999	LT-3D	209						
LM28216	499	5407	C	266	LM29671	143	1447	SU1-A	261	LM30874	2554	25443	LT-1D	193						
LM28217	499	5407	C	266	LM29672	143	1447	SU1-A	261	LM31014	15	144	LM-1	295						
LM28218	533	5814	C	266	LM29673	143	1447	SU1-A	261	LM31019	15	269	LM-1	295						
LM28219	533	5814	C	266	LM29850	300	1944	SU1-A	262	LM31049	TBD	28199	TBD	242						
LM28220	557	6004	C	266	LM29851	316	1944	SU1-A	262	LM31244	420	2375	LT-1E	191						
LM28221	720	6647	C	266	LM29852	450	2254	SU1-A	262	LM31245	430	2686	LT-1E	194						
LM28222	720	6647	C	266	LM29853	411	2254	SU1-A	262	LM31246	489	3075	LT-1E	194						
LM28223	724	7289	C	266	LM29854	300	1944	SU1-A	262	LM31247	420	2529	LT-1E	194						
LM28224	724	7289	C	266	LM29855	653	2254	SU1-A	262	LM31248	462	3005	LT-1E	194						
LM28225	775	7501	C	266	LM29865	400	2422	LT-1C	244	LM31393	338	3552	C	264						
LM28226	775	7501	C	266	LM29923	400	2398	LT-1C	191	LM31434	149	1472	LS-1	220						
LM28227	775	7647	C	266	LM29934	350	2244	LT-1C	194	LM31463	155	3511	LS-1	226						
LM28228	775	7647	C	266	LM29935	400	2398	LT-1C	191	LM31607	355	3763	C	266						
LM28501	53	771	LM-1	296	LM29936	400	2685	LS-1	221	LM31752		555		266						
LM28624	33	369	LM-1	296	LM29937	348	2068	LT-1C	191	LM31777	12	460		261						
LM28867	128	853	HP1-A	262	LM29938	375	2505	LT-1C	194	LM31902	2345	22075	LT-3D	241						
LM28868	124	853	HP1-A	262	LM29940	396	2580	LT-1C	194	LM31961	490	7865	LS-1	226						
LM28869	128	853	HP1-A	262	LM30091	114	929	HP1-A	262	LM33081		656		266						
LM28873	203	1163	HP1-A	262	LM30092	149	929	HP1-A	262	LM70001	60	455	LT-1B	198						
LM28874	205	1163	HP1-A	262	LM30093	135	1214	HP1-A	262	LM70002	75	498	LT-1B	199						
LM28875	203	1163	HP1-A	262	LM30094	138	1214	HP1-A	262	LM70003	110	714	LT-1B	199						
LM28879	105	1471	HP1-A	262	LM30095	128	1539	HP1-A	262	LM70004	125	783	LT-1B	199						
LM28880	233	1471	HP1-A	262	LM30096	134	1539	HP1-A	262											
LM28881	233	1471	HP1-A	262	LM30097	235	1851	HP1-A	262											
LM28897	550	3017	HP1-A	262	LM30098	235	1851	HP1-A	262											
LM28898	466	3017	HP1-A	262	LM30099	320	2384	HP1-A	262											
LM28899	550	3017	HP1-A	262	LM30100	279	2384	HP1-A	262											
LM28903	519	3351	HP1-A	262	LM30101	460	3045	HP1-A	262											
LM28904	530	3351	HP1-A	262	LM30102	277	3045	HP1-A	262											

NOTES AND SYMBOLS

- A = NEMA Design A
- AG = Conforms to GM-7EH
- AH = Conforms to GM-7EH and satisfies Chrysler NPEM-100 and Ford EM-1 specifications.
- AQ = Conforms to GM-7EQ, Chrysler NPEM-100 and Ford EM-1 specifications.
- AT = Auto rest overload protection
- C = Meets or exceeds NEMA Design C starting (locked rotor) torque requirements for 1 - 200 HP, 1800 & 1200 RPM.
- D = Item to be discontinued when present stock is depleted.
- E3 = Class H Insulation
- F = Meets Ford EM1-1996 specifications
- NN = No-Nafta
- ML = Manual reset overload protection
- TT = Thermostat overload protection

Nameplated for the following operation:

- H = 208 V, 60 Hz @ 1.15 SF
- J = 208 V, 60 Hz @ 1.05 SF
- K = 208 V, 60 Hz @ 1.00 SF
- M = 380-415 V, 50 Hz @ 1.15 SF
- N = 380-415 V, 50 Hz @ 1.00 SF
- P = 208/415 V, 50 Hz @ 1.15 SF
- Q = 208/415 V, 50 Hz @ 1.00 SF
- T = 415 V, 50 Hz @ 1.15 SF
- U = 415 V, 50 Hz @ 1.00 SF
- V = 190-208/380-415, 50 Hz @ 1.15 SF
- W = 190-208/380-415, 50 Hz @ 1.00 SF
- X = 190/380, 50 Hz @ 1.15 SF
- Y = 190/380, 50 Hz @ 1.00 SF
- Z = 200/400, 50 Hz @ 1.15 SF
- ▼ = 190/380, 50 Hz at next lower HP @ 1.00 SF
- ◆ = 190/380, 50 Hz at next lower HP @ 1.15 SF
- ♣ = 190-208/380-415, 50 Hz at next lower HP @ 1.15 SF
- ♥ = 190-208/380-415, 50 Hz at next lower HP @ 1.00 SF

THREE WAYS TO ORDER QUALITY LINCOLN MOTORS

I. Product Number
LM16110

II. Model Number
SF2P50TSC61YB

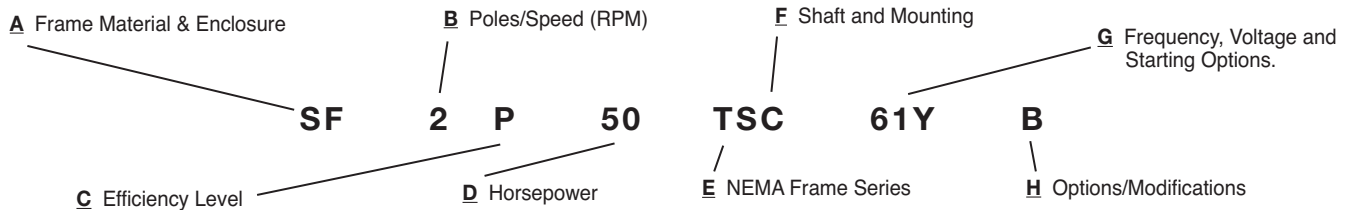
III. Generic Description
50HP 3600RPM 326TS Steel Frame Ultimate E1® (P) TEFC 230/460/3/60 with drive end C-Face and F-2 mount.

- I. The **Product Number**, LM16110, is a unique letter and number combination that permanently identifies a motor and its options/modifications. It is assigned by the factory. Any change to a motor already assigned a Product Number dictates a different Product Number.
- II. The **Model Number**, SF2P50TSC61YB, is a unique letter/number combination that permanently identifies a motor. Each character in conjunction with its position in the

Model Number has significance (see Quick Reference). Options/modifications are addressed by additional letters/numbers inserted in the appropriate slot.

- III. The **Generic Description** completely describes the motor by listing HP (50), speed (3600 RPM), frame size (326TS), construction material (steel), efficiency code (P), enclosure (TEFC), voltage (230/460), frequency (60) and options/modifications (C-Face, F-2 mount).

MODEL NUMBER - QUICK REFERENCE - SEE PAGES 175-176 FOR DETAILS



- A Frame Material (first letter):** A = extruded aluminum; C = cast iron, M = steel with encapsulated windings; R (56-56H) and S (143T-449T) = steel.
Enclosure (second letter): A = TEAO; B = TEBC; C and F = TEFC; D = ODP; E = ODP w/encapsulated windings; EW = Wash-Thru™ motor, J and N = TENV; P = IEEE 841 Severe Duty; S = Severe Duty.
- B Poles/Speed (rpm):** this leads to motor synchronous speed
60 Hz: 2 = 3600, 4 = 1800, 6 = 1200, 8 = 900.
50 Hz: 2 = 3000, 4 = 1500, 6 = 1000, 8 = 750.
- C Efficiency Level:** B = exceeds NEMA MG-1 Table 12-10 values; P = meets NEMA MG-1 Table 12-10.
- D Horsepower:** Fractional thru largest available. 0.25 (1/4 HP) to 800 (800 HP).

- E NEMA Frame Series and Dimensions:**
T or U = sets frame number and dimensions in accordance with NEMA design standards.
- F Shaft and Mounting:** C = C-Face; JM & JP = NEMA Pump bracket and shaft; N = No feet; R = Resilient mount; S = NEMA short shaft.
- G Frequency (first digit):** 6 = 60 Hz; 5 = 50 Hz.
Voltage (all digits): 61 = 230/460; 62 = 200/400; 64 = 460; 65 = 575; 6024 = 2300/4000; 51 = 220/380; 55 = 380.
Reduced voltage start capability:
P = Part winding start; Y = Y delta start.
- H Options/Modifications:** Listed in alphabetical sequence.
B = F-2 mount; Q10 = CTAC® w/feedback mount provision; Q15 = CTAC w/1024 ppr encoder; Q20 = CTAC w/o encoder mount; Q40 = Premium efficient CTAC w/o encoder mount; RB = Roller Bearing.

MOTOR SELECTION

Electric motors are the workhorses of industry. Many applications exist where more than one motor can be used and/or the exact replacement is not available. LEESON makes every effort to maximize interchangeability, mechanically and electrically, where compromise does not interfere with reliability and safety standards. If you are not certain of a replacement condition, contact any LEESON Authorized Distributor or the LEESON District Sales Office.

SELECTION

Identifying a motor for replacement purposes or specifying a motor for new applications can be done easily if the following information is known:

1. Nameplate Data
2. Motor Type
3. Electrical and Performance Characteristics
4. Mechanical Construction

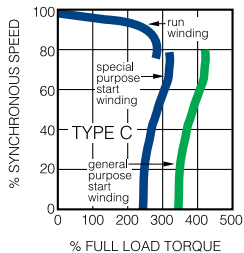
NAMEPLATE DATA

Nameplate data is the most important first step in determining motor replacement. Much of the information needed can generally be obtained from the nameplate of the motor to be replaced. Take time to record all the nameplate information because it can save time, avoid confusion and MISAPPLICATION.

MOTOR TYPE

Alternating current (AC) induction motors are divided into two electrical categories, based on power source—single phase and polyphase (three phase). Direct current (DC) motors are used in applications where precise speed control is required or when battery or generated direct current is the available power source.

TYPICAL SPEED TORQUE CURVES



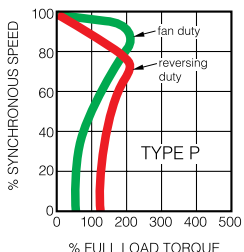
Capacitor Start/Induction Run

A single phase general purpose design, with an electrolytic capacitor in series with the start winding, offering maximum starting torque per ampere.

A centrifugal switch removes the auxiliary winding and capacitor when the motor approaches full load speed. The design is a heavy-duty unit which has approximately 300% (of full load) starting torque. Common applications include compressors, pumps, conveyors and other “hard-to-start” applications.

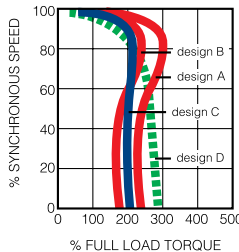
Capacitor Start/Capacitor Run

This design has two capacitors of different values. A centrifugal switch is used to remove the electrolytic capacitor when the motor approaches full load speed. A second run capacitor remains in series with the auxiliary winding during full load operation. This type of design has lower full-load amps as a result of the run capacitor and is consequently used on most higher horsepower single phase motors.



Permanent Split Capacitor (PSC)

This design has an auxiliary winding with a “run” capacitor, but unlike the capacitor start/induction run motor, the capacitor and auxiliary winding remain in the circuit under running conditions. (There is no centrifugal switch on this type motor.) A permanent split capacitor design has low starting torque and low starting current. They are generally used on direct-drive fans and blowers. They can also be designed for higher starting torque and intermittent applications, where rapid reversing is desired.

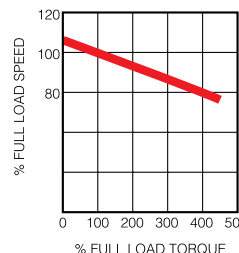


Three Phase or Polyphase

General purpose three phase motors have different electrical design classifications as defined by NEMA. NEMA Design A and B motors are of normal starting torque with normal starting current. NEMA Design C motors have higher starting torque with normal starting current. All three types have slip of less than 5%. (“Slip” being a term which expresses, as a percentage, the difference between synchronous motor speed and full load motor speed, for example, 1800 rpm synchronous versus a full load speed of 1740 rpm.

NEMA’s Design B and C standards are minimum performance standards. In practice, some manufacturers (including LEESON) build small integral HP Design B motors with locked rotor and breakdown torque levels equalling NEMA Design C standards.

NEMA T frame motors 1 through 200 HP covered by EPACT (identified with a “G” catalog prefix) are labeled Design B, exceed NEMA Design B performance levels, and have efficiencies equal to EPACT mandated levels. EPACT exempt three phase, base-mounted motors are labeled Design C and have performance characteristics meeting NEMA’s Design C standards, with standard motor efficiencies. Motors 250 HP and larger are exempt from EPACT legislation.



Permanent Magnet DC

This design has linear speed/torque characteristics over the entire speed range. SCR rated motor features include high starting torque for heavy load applications and dynamic braking, variable speed and reversing capabilities. Designs are also available for use on generated low voltage DC power or remote applications requiring battery power.

ELECTRICAL AND PERFORMANCE CHARACTERISTICS

One of the best ways to guarantee economical performance and long motor life is to make sure your motors operate at nameplate voltage. Applying too high a voltage may reduce the motor’s efficiency and increase operating temperatures. The net result is shorter motor life.

Under-voltage can also shorten motor life. Operating on too low a voltage reduces the motor’s effective horsepower. The motor will attempt to drive the load it was intended to drive, become overloaded, draw more current than normal, and overheat. Again, the result will be premature failure.

ENCLOSURES AND ENVIRONMENT

DRIP-PROOF: Venting in end frame and/or main frame located to prevent drops of liquid from falling into motor within a 15° angle from vertical. Designed for use in areas that are reasonably dry, clean, and well ventilated (usually indoors). If installed outdoors, it is recommended that the motor be protected with a cover that does not restrict the flow of air to the motor.

TOTALLY ENCLOSED AIR OVER (TEAO): Dust-tight fan and blower duty motors designed for shaft mounted fans or belt driven fans. The motor must be mounted within the airflow of the fan.

TOTALLY ENCLOSED NON-VENTILATED (TENV): No vent openings, tightly enclosed to prevent the free exchange of air, but not airtight. Has no external cooling fan and relies on convection for cooling. Suitable for use where exposed to dirt or dampness, but not for hazardous (explosive) locations.

TOTALLY ENCLOSED FAN COOLED (TEFC): Same as the TENV except has external fan as an integral part of the motor, to provide cooling by blowing air around the outside frame of the motor.

TOTALLY ENCLOSED, HOSTILE AND SEVERE ENVIRONMENT MOTORS: Designed for use in extremely moist or chemical environments, but not for hazardous locations.

TOTALLY ENCLOSED BLOWER COOLED MOTORS (TEBC): Used to extend the safe speed range of inverter-fed motors. Similar to TEFC except a small, constant-speed fan provides uniform airflow regardless of the drive motor’s operating speed.

EXPLOSION-PROOF MOTORS: These motors meet Underwriters Laboratories and Canadian Standards Association standards for use in hazardous (explosive) locations, as indicated by the UL label affixed to the motor. Locations are considered hazardous because the atmosphere does or may contain gas, vapor, or dust in explosive quantities.

NEMA SERVICE FACTORS

HP	ENCLOSURE	RPM		
		3600	1800	1200
1/4-1/3	Open	1.35	1.35	1.35
1/2-3/4	Open	1.25	1.25	1.25
1 & Larger	Open	1.15	1.15	1.15
All	Totally Enclosed	1.00	1.00	1.00

Most LEESON Totally Enclosed Motors have 1.15 Service Factor. Refer to the Service Factor information on each page to identify specific totally enclosed motors with NEMA 1.00 Service Factor or LEESON 1.15 Service Factor. All drip-proof motors have NEMA Service Factors of 1.15 or higher. **All three phase totally enclosed motors have NEMA Service Factors of 1.15 except when noted (♣).**

SCR PM DC MOTORS ON PWM POWER SUPPLIES

Pulse width modulated DC controls have a voltage output similar to pure direct current which has a form factor of 1.00. SCR thyristor drives, such as the SPEEDMASTER® controls listed on page 117, have a form factor of 1.4.

LEESON stock SCR rated motors can also be used with PWM controls. In fact, the motor's HP rating can be increased because of less heating in the motor. In addition, the motor will operate quieter and the brush life will be extended.

Rated HP 1.40 FF	Rated RPM	Rated Volts	Catalog Number	Rated HP 1.05 FF
1/4	1750	90	098002	0.40
	1750	180	098003	0.50
1/3	1750	90	098004	0.50
	1750	90	108424	0.56
	1750	180	098005	0.50
1/2	2500	90	098006	0.75
	2500	180	098007	0.70
	1750	90	098000	0.70
	1750	90	108014	0.75
	1750	90	108226	0.75
	1750	180	098008	0.56
	1750	180	108015	0.70
1750	180	108227	0.70	
3/4	2500	90	098009	1.00
	2500	90	108016	1.00
	2500	180	098010	1.00
	2500	180	108017	0.86
	1750	90	098032	1.00
	1750	90	108018	1.00
	1750	90	108228	1.25
	1750	180	098069	1.00
1750	180	108019	1.00	
1750	180	108229	1.25	
1	2500	90	108020	1.50
	2500	180	108021	1.50
	1750	90	108022	1.25
	1750	90	108230	1.25
	1750	180	108023	1.25
1750	180	108231	1.25	
1 1/2	2500	180	108265	2.00
	1750	180	108092	1.75
	1750	180	108262	1.75
	1750	180	108232	1.75
	1750	180	128000	--
2	2500	180	108266	3.00
	1750	180	128001	--
	1750	180	128010	--
3	2500	180	128008	--
	1750	180	108502	--

METRIC (IEC) DESIGNATIONS

The International Electrotechnical Commission (IEC) is a European-based organization that publishes and promotes worldwide mechanical and electrical standards for motors, among other things. In simple terms, it can be said that IEC is the international counterpart to the National Electrical Manufacturers Association (NEMA), which publishes the motor standards used in the United States.

IEC standards are expressed in metric units.

IEC ENCLOSURE PROTECTION INDEXES

Like NEMA, IEC has designations indicating the protection provided by a motor's enclosure. However, where NEMA designations are word descriptive, such as Open Drip-Proof or Totally Enclosed Fan Cooled. IEC uses a two-digit Index of Protection (IP) designation. The first digit indicates how well-protected the motor is against the entry of solid objects, the second digit refers to water entry.

By way of general comparison, an IP22 motor relates to Open Drip-Proof, IP54 to totally enclosed.

Protection Against Solid Objects		Protection Against Liquids	
Number	Definition	Number	Definition
0	No protection	0	No protection
1	Protected against solid objects of over 50 mm (e.g. accidental hand contact)	1	Protected against water vertically dripping (condensation)
2	Protected against solid objects of over 12 mm (e.g. finger)	2	Protected against water dripping up to 15° from the vertical
3	Protected against solid objects of over 2.5 mm (e.g. tools, wire)	3	Protected against rain falling at up to 60° from the vertical
4	Protected against solid objects of over 1 mm (e.g. thin wire)	4	Protected against water splashes from all directions
5	Protected against dust	5	Protected against jets of water from all directions
6	Totally protected against dust.	6	Protected against jets of water comparable to heavy seas
		7	Protected against the effects of immersion to depths of between 0.15 and 1m
		8	Protected against the effects of prolonged immersion at depth

IEC DESIGN TYPES

The electrical performance characteristics of IEC Design N motors in general mirror those of NEMA Design B—the most common type of motor for industrial applications. By the same token, the characteristics of IEC Design H are nearly identical to those of NEMA Design C. There is no specific IEC equivalent to NEMA Design D.

MOTOR EFFICIENCY TEST METHODS

Performance data of single phase motors is determined by using I.E.E. Std. 114 (Method B), three phase motors by I.E.E. Std. 112 (Method B). Motor efficiency is calculated using CSA C390. These testing methods meet the requirements of EPA of 1992 and most utility companies.

For complete performance data on all LEESON motors, please review the Find-A-Product section on www.leeson.com.

U.L., CSA, ISO AND OTHER STANDARDS & APPROVALS – MOTORS

UNDERWRITERS LABORATORIES INC.

- All motor models listed with prefix “C” have U.L. component recognition (without thermal overload). File Number E57948, Guide Number PRGY2.
- All units have U.L. recognized Class B, F or H insulation systems unless otherwise noted. File Number E55555, Guide Number OBJY2.
- Single phase motors with a model number prefix of “A” or “M” (automatic or manual protectors) have U.L. recognized protector winding combinations and component recognition. File Number E57955, Guide Number XEWR2.
- Three phase motors with a model number prefix of “A” or “M” (automatic or manual protectors) have U.L. recognized protector winding combinations plus have capability of providing U.L. recognized primary single phasing which is included in our U.L. file E57955, Guide Number XEWR2.
- Explosion-Proof, single and three phase for 56, 143T and 145T frames: File Number E75276, Guide Number PTDR.
Explosion-Proof motors 182T and larger: File Number E12044, Guide Number PTDR.
Explosion-Proof motors DC motors 48 frame: File Number E75276, Guide Number PTDR..
- Permanent Magnet DC motors except PZ and P300 gearmotors are recognized components under File Number E57948, Guide Number PRGY2.
- PZ and P300 Permanent Magnet DC gearmotors: File number E49849 or E49747, Guide Number PRGY2.
- Speedmaster SCR Drives, Component Recognition, File E132235, Guide Number NMMS2, except catalog numbers 174902 and 174903.
- Speedmaster SCR Drives, catalog numbers 174902 and 174903. File Number E154901, Guide Number NMFT2.
- Speedmaster AC Adjustable Speed Drives, File Number E161242. Canadian UL covered by File Number E161242 also, Guide Number NMMS.
- FHP Adjustable Speed Drives, file number E132235. Canadian UL covered by file number E132235, Guide Number NMMS7.

CANADIAN STANDARDS ASSOCIATION

- Motor construction for all single and three phase NEMA 42 through S254T frame, IEC/metric 63 through 90L frame, and all sub-fractional horsepower motors: Report Number LR33543, Guide Number 260-0-0..
- Motor construction for all steel or cast iron three phase NEMA 182T through 447T frame and IEC/metric 100L through 250M frame motors: Report Number LR62104.
- Thermally protected single phase motors through 7¹/₂ HP, Report Number LR33543.
- All Farm Duty motors 1/3 HP through 7¹/₂ HP, Report Number LR33543
- Explosion proof single and three phase for 56, 143T and 145T frames: File Number LR47667.
Explosion-Proof motors 182T and larger: File Number LR21839 and LR47504.
Explosion-Proof DC motors 48 frame: File Number LR701080.
- Permanent Magnet DC motors are listed under File Number LR33543.
- Multi-Speed Motors, steel or cast iron, 182T through 447T frames are listed under file number LR33543.
- Speedmaster SCR Drives, catalog numbers 174902 and 174903. File Number LR75790.
- Speedmaster SCR Drives, except 174902 and 174903, file number LR41380.

U.S. DEPARTMENT OF ENERGY (DOE)

Compliance Certification (CC) number: CC005A

MOTOR EFFICIENCY VERIFICATION

Energy Efficiency Verification - Full load efficiency ratings of three phase, single speed, NEMA/EEMAC Design A or B squirrel cage induction motors, 1 through 200 HP, 230, 460 or 575 volts, 60 Hz, in totally enclosed and open, drip-proof enclosures for non-hazardous applications, CSA Report Number EEV 78720-1. Tested to CSA 390 (IEEE 112B) Standards. The Grafton testing facility is qualified for CSA energy efficiency performance testing of polyphase induction motors. The Grafton Testing Facility is NVLAB recognized for energy efficiency testing of electric motors to EPACT requirements of the Department of Energy.

ISO QUALITY CERTIFICATION

Grafton, Wisconsin administrative and design engineering facility, ISO 9001:2000, Certificate Number A2239

Black River Falls, Wisconsin; Neillsville, Wisconsin; and West Plains, Missouri manufacturing facilities have been recommended for certification, ISO 9001:2000, Certificate Number A2239

Hanover, Ontario design engineering and manufacturing facility, ISO9001:2000 Certificate Number BSI #FM62785

BAKING INDUSTRY SANITATION STANDARDS COMMITTEE

WASHGUARD II, stainless steel washdown duty motors, NEMA frames 56, 143T, 145T, 182T and 184T are certified to Standard No. 29 for Electric Motors and Accessory Equipment, authorization number 769. The WBMQ Series of gear reducers are BISSC certified to Standard No. 29 for Electric Motors and Accessory Equipment, authorization number 941.

SAUDI ARABIAN STANDARDS ORGANIZATION

SCCP Ref. No.: R-100157

ROHS

A European directive. Restriction of Use of Certain Hazardous Substances (RoHS), 2002/95/EC. Applies to AC And DC 140 frame and below motors that are shipped into the EU (European Union) on or after July 1, 2006.

The CE Mark

CE is an acronym for the French phrase “*Conformite Europeene*” and is similar to the UL or CSA marks of North America. However, unlike UL or CSA which require independent laboratory testing, the CE mark can be applied by the motor manufacturer through “self certifying” that its products are designed to the appropriate standards. The European Union has issued 24 directives related to the **CE** mark. Three Directives apply to electric motors.

Low Voltage Directive (2006/95/EC) This directive applies to electrical equipment operating in the voltage range of 50-1000 volts AC or 75-1500 volts DC. Virtually all LEESON motors (except low voltage DC) are included in this directive.

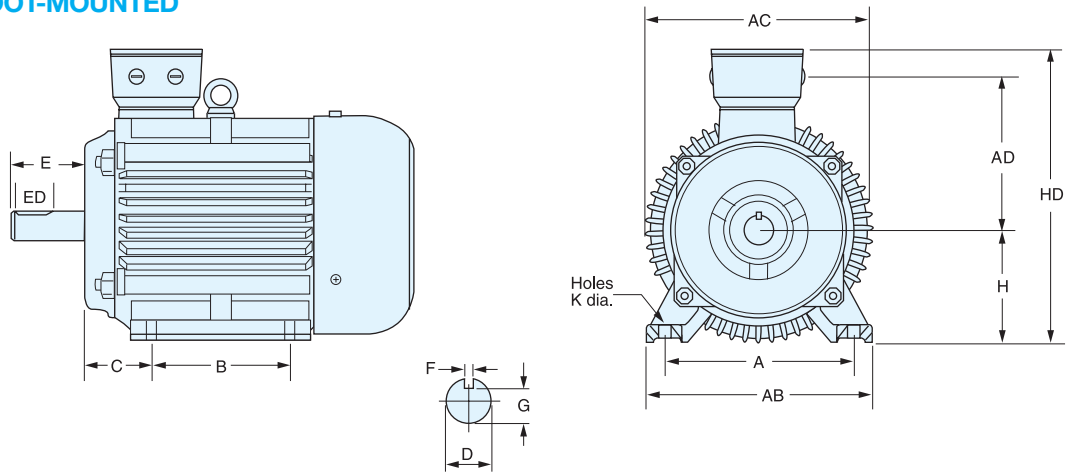
Based on our testing to the applicable electrical and mechanical standards EN60034 and IEC 34, LEESON certifies conformity to this directive. All three phase 50 Hz stock motors comply with the nameplate designations, lead markings and connection diagrams required. A “Declaration of Conformity” accompanies these motors and a CE label is applied.

Machinery Directive (89/3392/EEC) This directive applies to machinery that may contain certain motors. This is an issue with equipment manufacturers and requires the use of a motor meeting the Low Voltage Directive and requires a “Declaration of Incorporation” document which means that only the motor complies with the requirements of the Low Voltage Directive. A CE label is applied to the motor but it remains the responsibility of the equipment manufacturer to obtain certification for the finished product.

Electromagnetic Compatibility (EMC) Directive (2004/108/EC) This directive addresses the final product and is again a concern for the equipment manufacturer. Since this Directive addresses electromagnetic interference (EMI) concerns, it does not affect three phase AC motors because they do not produce EMI. DC motors, however, do produce EMI. How much of the “noise” is emitted outside the machine depends on a host of factors. LEESON’s Engineering Department can assist OEM’s in applying DC motors in machinery destined for Europe and requiring certification to the EMC Directive.



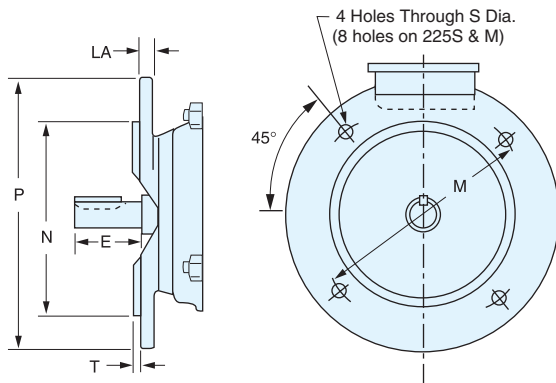
B3 FOOT-MOUNTED



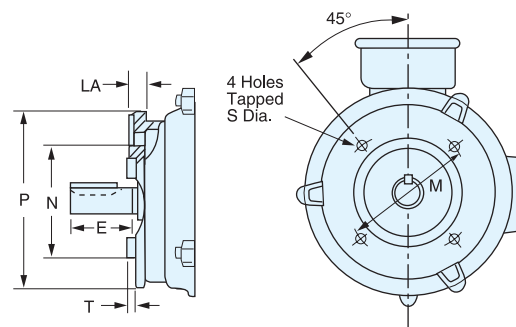
METRIC (IEC) FRAME DIMENSIONS (Millimeters)

Frame	Mounting						Shaft						General			B5 Flange						B14 Face					
	A	B	C	H	AB	K	D	E	F	G	ED	DH	AC	AD	HD	M	N	P	S	T	LA	M	N	P	S	T	LA
D56	90	71	36	56	107	6	9	20	3	7.5	8	M3 x 8	-	-	-	100	80	120	7	2.5	7	65	50	80	M5	2.5	7
D63	100	80	40	63	122	7	11	23	4	8.5	10	M4 x 10	126	84	171	115	95	140	10	3.0	7	75	60	90	M5	2.5	7
D71	112	90	45	71	136	7	14	30	5	11.0	20	M5 x 12.5	141	94	191	130	110	160	10	3.5	7	85	70	105	M6	2.5	9
D80	125	100	50	80	154	10	19	40	6	15.5	25	M6 x 16	159	102	206	165	130	200	12	3.5	12	100	80	120	M6	3.0	9
D90S	140	100	56	90	172	10	24	50	8	20.0	32	M8 x 19	180	112	229	165	130	200	12	3.5	12	115	95	140	M8	3.0	9
D90L	140	125	56	90	172	10	24	50	8	20.0	32	M8 x 19	180	112	229	165	130	200	12	3.5	12	115	95	140	M8	3.0	9
DF100L	160	140	63	100	205	12	28	60	8	24.0	40	M10 x 22	205	130	270	215	180	250	15	4.0	11	130	110	160	M8	3.5	14
DF112M	190	140	70	112	230	12	28	60	8	24.0	40	M10 x 22	240	150	300	215	180	250	15	4.0	12	130	110	160	M8	3.5	11
DF132S	216	140	89	132	270	12	38	80	10	33.0	56	M12 x 28	275	180	345	265	230	300	15	4.0	12	165	130	200	M10	3.5	14
DF132M	216	178	89	132	270	12	38	80	10	33.0	56	M12 x 28	275	180	345	265	230	300	15	4.0	12	165	130	200	M10	3.5	14
DF160M	254	210	108	160	320	15	42	110	12	37.0	80	M16 x 36	330	210	420	300	250	350	19	5.0	13	215	180	250	M12	4.0	13
DF160L	254	254	108	160	320	15	42	110	12	37.0	80	M16 x 36	330	210	420	300	250	350	19	5.0	13	215	180	250	M12	4.0	13
DF180M	279	241	121	180	355	15	48	110	14	42.5	80	M16 x 36	360	236	455	300	250	350	19	5.0	15	-	-	-	-	-	-
DF180L	279	279	121	180	355	15	48	110	14	42.5	80	M16 x 36	360	236	455	300	250	350	19	5.0	15	-	-	-	-	-	-
DF200L	318	305	133	200	395	19	55	110	16	49.0	100	M20 x 42	420	260	505	350	300	400	19	5.0	18	-	-	-	-	-	-
DF225S	356	286	149	225	435	19	55*/60	110*/140	16*/18	49*/53	100*/125	M20 x 42	450	275	580	400	350	450	19	5.0	18	-	-	-	-	-	-
DF225M	356	311	149	225	435	19	55*/60	110*/140	16*/18	49*/53	100*/125	M20 x 42	450	275	580	400	350	450	19	5.0	18	-	-	-	-	-	-
DF250M	406	349	168	250		24	60*/65	140*/140	18*/18	53*/58	125*/125	M20 x 42	508	300	625	-	-	-	-	-	-	-	-	-	-	-	-

* 2 Pole Dimensions
The overall length dimension for each catalog item is listed on pages 76-86 of this catalog.
Frames DF100L through DF132M, conduit box is located in the center of the frame.

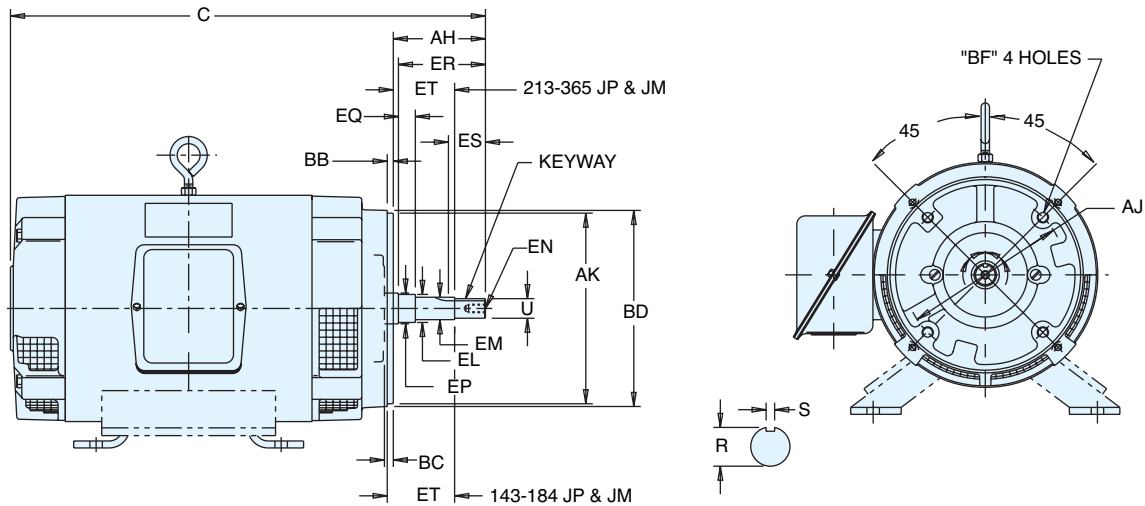


B5 FLANGE



B14 FACE

TYPICAL CLOSE COUPLED PUMP MOTOR



For standard NEMA base dimensions, see chart on back cover

DIMENSIONS FOR TYPE JM

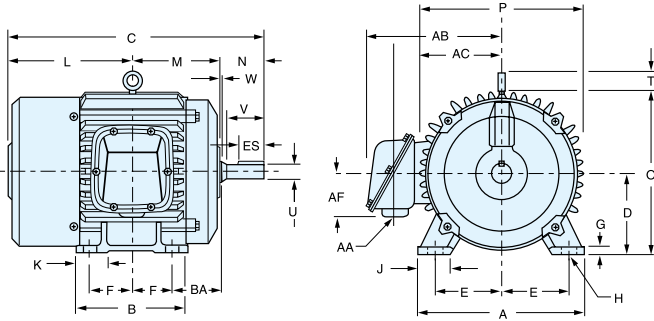
Frame Desig.	U	AH	AJ	AK	BB	BD Max.	BF				EN				Keyseat						
							No.	Tap Size	Bolt Pen. Allow.	EL	EM	Tap Size	Tap Drill Depth Max.	Bolt Pen. Allow.	EP Min.	EQ	ER Min.	R	ES Min.	S	ET
143 & 145JM	0.8745 0.8740	4.15 4.10	5.890 5.860	4.500 4.497	0.150 0.10	6.62	4	3/8-16	0.56	1.156 1.154	1.0000 0.9995	3/8-16	1.12	0.75	1.156 0.610	0.640 0.610	4.25	0.771 0.756	1.65	0.190 0.188	2.890 2.860
182 & 184JM	0.8745 0.8740	4.13 4.09	5.89 5.86	4.500 4.497	0.16 0.125	6.62	4	3/8-16	0.56	1.250 1.248	1.0000 0.9995	3/8-16	1.12	0.75	1.250 0.610	0.640 0.610	4.25	0.771 0.756	1.65	0.190 0.188	2.890 2.860
213 & 215JM	0.8750 0.8745	4.25 4.235	7.265 7.235	8.500 8.497	0.312 0.250	9.00	4	1/2-13	0.75	1.250 1.248	1.0000 0.9995	3/8-16	1.12	0.75	1.750 0.610	0.640 0.610	4.25	0.771 0.756	1.65	0.190 0.188	2.890 2.860
254 & 256JM	1.2495 1.2490	5.25 5.219	7.250 7.235	8.500 8.497	0.312 0.250	10.00	4	1/2-13	0.75	1.750 1.748	1.3750 1.3745	1/2-13	1.50	1.00	1.750 0.610	0.640 0.610	5.25	1.112 1.097	2.53	0.252 0.250	3.015 2.985
284 & 286JM	1.2495 1.2490	5.281 5.219	11.00 10.99	12.500 12.495	0.312 0.250	14.00	4	5/8-11	0.94	1.750 1.748	1.3750 1.3745	1/2-13	1.50	1.00	2.125 0.605	0.645 0.605	5.25	1.112 1.097	2.53	0.252 0.250	3.020 2.980
324 & 326JM	1.2495 1.2490	5.281 5.219	11.00 10.99	12.500 12.495	0.312 0.250	14.00	4	5/8-11	0.94	1.750 1.478	1.3750 1.3745	1/2-13	1.50	1.00	2.125 0.605	0.645 0.605	5.25	1.112 1.097	2.53	0.252 0.250	3.020 2.980

DIMENSIONS FOR TYPE JP

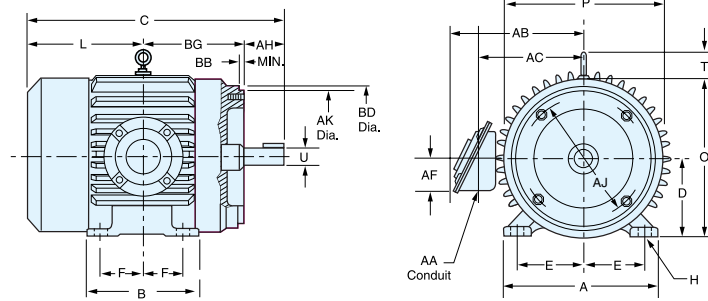
Frame Desig.	U	AH	AJ	AK	BB	BD Max.	BF				EN				Keyseat						
							No.	Tap Size	Bolt Pen. Allow.	EL	EM	Tap Size	Tap Drill Depth Max.	Bolt Pen. Allow.	EP Min.	EQ	ER Min.	R	ES Min.	S	ET
143 & 145JP	0.8745 0.8740	7.19 7.15	5.890 5.860	4.500 4.497	0.156 0.125	6.62	4	3/8-16	0.56	1.156 1.154	1.0000 0.9995	3/8-16	1.12	0.75	1.156 1.548	1.578 1.548	7.312	0.771 0.756	1.65	0.190 0.188	5.952 5.922
182 & 184JP	0.8745 0.8740	7.21 7.15	5.890 5.860	4.500 4.497	0.156 0.100	6.62	4	3/8-16	0.56	1.250 1.248	1.0000 0.9995	3/8-16	1.12	0.75	1.250 1.548	1.578 1.548	7.312	0.771 0.756	1.65	0.190 0.188	5.952 5.922
213 & 215JP	1.2495 1.2490	8.12 8.12	7.250 7.235	8.500 8.497	0.312 0.250	9.00	4	1/2-13	0.75	1.750 1.748	1.3750 1.3745	1/2-13	1.50	1.00	1.750 2.360	2.390 2.360	8.125	1.112 1.097	2.53	0.252 0.250	5.890 5.860
254 & 256JP	1.2495 1.2490	8.156 8.094	7.250 7.235	8.500 8.497	0.312 0.250	10.00	4	1/2-13	0.75	1.750 1.748	1.3750 1.3745	1/2-13	1.50	1.00	1.750 2.360	2.390 2.360	8.125	1.112 1.097	2.53	0.252 0.250	5.890 5.855
284 & 286JP	1.2495 1.2490	8.156 8.094	11.00 10.99	12.500 12.495	0.312 0.250	14.00	4	5/8-11	0.94	1.750 1.748	1.3750 1.3745	1/2-13	1.50	1.00	2.125 2.360	2.390 2.360	8.125	1.112 1.097	2.53	0.252 0.250	5.895 5.860
324JP & 326JP	1.2495 1.2490	8.12 8.12	11.00 10.99	12.500 12.495	0.312 0.250	14.00	4	5/8-11	0.94	1.750 1.748	1.3750 1.3745	1/2-13	1.50	1.00	2.125 2.355	2.395 2.355	8.125	1.112 1.097	2.53	0.252 0.250	5.895 5.855
364JP & 365JP	1.6245 1.6240	8.12 8.12	11.00 10.99	12.500 12.495	0.312 0.250	14.00	4	5/8-11	0.94	2.125 2.13	1.7500 1.7495	1/2-13	1.50	1.00	2.500 2.355	2.395 2.355	8.125	1.416 1.401	2.53	0.377 0.375	5.895 5.855

All dimensions are measured in inches. For "C" dimensions, refer to the appropriate catalog page. Certified drawings are available upon request - contact LEESON for details.

RIGID MOUNT 158 SERIES



C FACE 158 SERIES



NEMA EXPLOSION-PROOF • 158 SERIES • RIGID MOUNT DIMENSIONS (Inches)

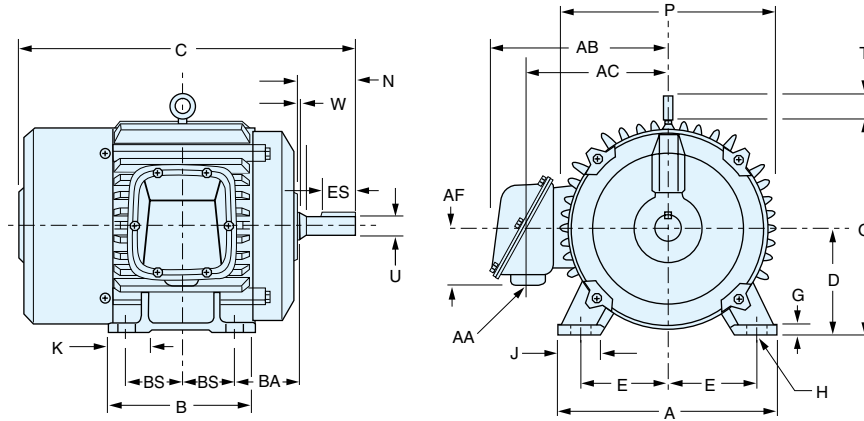
Frame Size	A	B	D	E	F	G	H	J	K	L	M	N	O	P	T	U	V	N-W	ES	AA	AB	AC	AF	BA	KEY		
182T	9	6	4 1/2	3 3/4	2 1/4	7/16	7/16	1 3/4	1 7/8	6 13/16	4 15/16	2 13/16	9 1/8	9 1/4	—	1.125	2 1/2	2 3/4	1 7/8	3/4	7 13/16	6 9/16	3 1/8	2 3/4	1/4		
184T		7			2 3/4					5 7/16	2 15/16	7 7/16														5 7/16	2 15/16
213T	10 1/2	7	5 1/4	4 1/4	2 3/4	7/16	7/16	2	1 7/8	8 1/8	6 2/16	3 7/16	10 1/2	10 1/2	2 5/16	1.375	3 1/8	3 1/4	2 7/16	1	9 1/4	7 5/8	3 1/2	3 1/2	5/16		
215T		8 1/2			3 1/2					6 15/16	8 7/8															6 15/16	
254T	12 1/2	10 1/4	6 1/4	5	4 1/8	5/8	9/16	2 1/2	2 5/8	10 3/8	8 9/16	4 1/16	12 1/2	12 1/2	2 5/16	1.625	3 3/4	3 3/8	2 15/16	1 1/4	10 1/4	8 7/8	3 7/8	4 1/4	3/8		
256T		12			5					11 1/4	9 3/16																
284T	13 3/4	11 1/2	7	5 1/2	4 3/4	5/8	9/16	2 1/2	2 3/4	11 13/16	9 7/16	4 11/16	14	14	2 7/16	1.875	4 3/8	4 1/2	3 1/4	1 1/2	12 1/8	10	4 7/16	4 3/4	1/2		
284TS										3 5/16	1.625	3														3 1/8	1 15/16
286T		13		5 1/2	12 29/16			10 9/16	4 11/16	1.875	4 3/8	4 1/2														3 1/4	1/2
286TS					3 5/16			1.625	3	3 1/8	1 15/16	3/8															
324T	15 1/2	13 1/4	8	6 1/4	5 1/4	5/8	1 1/16	2 3/4	3 1/8	13 39/16	10 7/16	5 5/16	16	16	2 5/8	2.125	5	5 1/8	4	2	14 3/8	11 3/4	5 3/8	5 1/4	1/2		
324TS										3 19/16	1.875	3 1/2														3 3/8	2
326T		14 3/4		6	13 15/16			11 3/16	5 5/16	2.125	5	5 1/8														3	2
326TS					3 13/16			1.875	3 1/2	3 3/8	2 1/16																
364T	17	15	9	7	5 5/8	7/8	1 1/16	2 3/4	3 7/8	16 1/16	11 3/8	6	18 1/2	19	12 7/16	2.375	5 5/8	5 3/4	4 1/4	3	16 1/16	13 5/16	6 7/8	5 7/8	5/8		
364TS										3 7/8	1.875	3 1/2														3 3/8	2 1/16
365T		15		6 1/8	15 9/16			11 7/8	6	2.375	5 5/8	5 3/4														4 1/4	5/8
365TS					3 7/8			1.875	3 1/2	3 3/8	2 1/16	1/2															
405T	19	16	10	8	6 7/8	1 1/8	1 3/16	3 1/4	3 1/4	17 9/16	13 1/8	7 5/8	21 5/16	22 5/16	2 15/16	2.875	7	7 1/8	5 11/16	4	16 3/8	13 1/4	7 1/2	6 5/8	3/4		
405TS										4 5/8	2.125	4														4 1/8	2 7/8

NEMA EXPLOSION-PROOF • 158 SERIES • C FACE DIMENSIONS (Inches)

Frame Size	A	B	D	E	F	H	L	O	P	T	U	V	AH	AJ		BB	AK	BD	BG	AA	AB	AC	AF	KEYWAY
														DIA.	BARR.									
182T	9	6	4 1/2	3 3/4	2 1/4	7/16	6 5/8	9 1/8	9 1/4	—	1.1250	2 1/2	2 5/8	7 1/4	4	9/32	8.500	8 3/4	5 7/8	3/4	9 3/8	7 1/8	2 1/2	1/4
184T		7			2 3/4		7 1/8												6 3/8					

The condensed dimensions shown on these pages are for general reference only and are not for construction. The overall length or "C" dimension for each catalog item is included in this catalog. [Certified drawings of all ratings are available for construction purposes.](#)

RIGID MOUNT G-SERIES

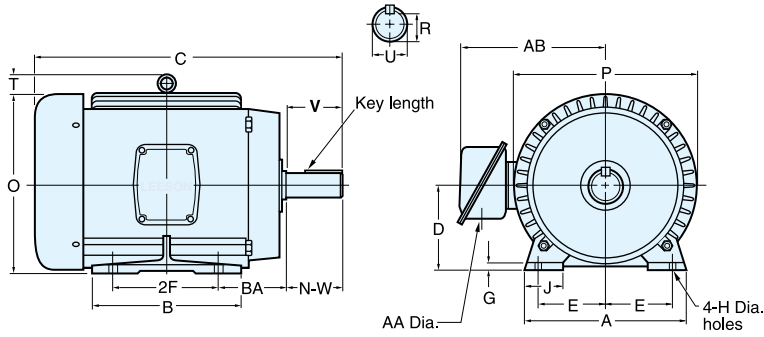


NEMA EXPLOSION-PROOF • G-SERIES • RIGID MOUNT DIMENSIONS (Inches)

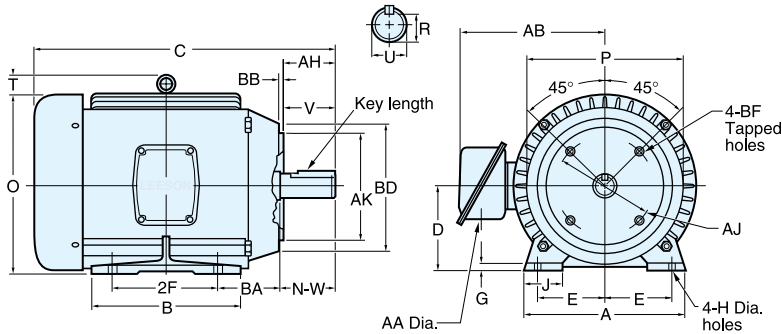
Frame Size	A	B	D	E	2F*	G	H	J	K	N	O	P	T	U	N-W	ES	AA	AB	AC	AF	BA	BS	KEY	C Dim
182T 184T	8.88	7.75	—	3.75	6.75	0.45	0.41-0.46	1.56	—	2.78	9.36	9.76	2.62	1.125	2.75	1.75	0.75	9.73	7.13	—	2.75	3.37	0.25	17.12
213T 215T	10.38	8.50	5.19 5.25	4.25	7.00	0.60	0.44	1.87	—	3.41	10.60	11.50	2.62	1.375	3.38	2.38	0.75	10.94	8.32	2.55	3.50	3.50	0.31	20.18
254T 256T	12.12	10.25	6.19 6.25	5.00	8.25 10.00	0.55	0.53-0.58	2.08	—	4.19	14.07	14.12	—	1.625	4.00	2.88	1.25	13.67	10.65	3.12	4.25	4.12 5.00	0.38	23.52 25.27
284T 284TS 286T 286TS	13.00	11.50 13.00	6.94 7.00	5.50	9.50 11.00	0.88	0.53-0.58	2.50	2.50	4.81 3.44 4.81 3.44	14.74	15.50	3.25	1.875 1.625 1.875 1.625	3.25 4.62 3.25 1.88	—	1.50	15.33	11.44	5.38	4.75	4.75 5.50	0.50 0.38	26.30 24.94 27.80 26.44
324T 324TS 326T 326TS	15.75	13.00 14.50	7.94 8.00	6.25	10.50 12.00	0.86	0.66-0.71	3.50	—	5.50 4.00 5.50 4.00	17.10	16.00	3.25	2.125 1.875 2.125 1.875	5.25 3.75 5.25 3.75	3.88 2.00 3.88 2.00	2.00	16.50	12.64	5.38	5.25	5.25 6.00	0.50 0.50	28.87 27.37 30.37 28.87
364T 364TS 365T 365TS	17.75	13.25 14.25	8.94 9.00	7.00	11.25 12.25	1.12	0.66-0.71	4.00	3.25	6.12 4.00 6.12 4.00	19.00	20.00	3.62	2.375 1.875 2.375 1.875	5.88 3.75 5.88 3.75	4.24	2.50	19.75	14.50	5.38	5.88	5.62 6.12	0.62	31.50 29.38 32.50 30.38
405T 405TS	19.25	16.25	—	8.00	13.75	1.12	0.81-0.86	4.25	3.75	7.50 4.50	20.87	21.75	3.62	2.875 2.125	7.25 4.25	5.62 2.75	2.50	21.50	16.38	5.38	6.62	6.88	0.75 0.50	37.12 34.12
444T 444TS 445T 445TS 449T 449TS	21.50	18.00 19.75 28.25	10.94 11.00	9.00	14.50 16.50 25.00	1.25 1.22 1.25	0.81-0.86	3.75	4.50 5.12 9.88	8.75 5.00 8.75 5.00 8.75 5.00	23.12 24.11 24.19	24.25 26.31 26.31	3.62 2.44 0.77	3.375 2.375 3.375 2.375 3.375 2.375	8.50 4.75 8.50 4.75 8.50 4.75	6.88 3.00 6.88 3.00 6.88 3.00	2.50 3.00 3.00	22.75 27.24 20.06 26.09	17.50 20.06 18.88	5.38 6.18	7.50	7.25 8.25 1.78	0.88 0.62 0.88 0.62 0.88 0.62	41.25 37.50 43.19 39.44 51.69 47.97

* 182-4T and 213-5T frames have eight-hole bases. 449T and TS frames have six-hole bases. Others have four-hole bases.

RIGID MOUNT 150 & 170 SERIES



C FACE 150 & 170 SERIES



NEMA SHAFT AND KEYWAY DIMENSIONS ■ (Inches)

NEMA SHAFT (U)	KEYWAY DIMENSIONS (R)	(S)	NEMA SHAFT (U)	KEYWAY DIMENSIONS (R)	(S)
3/8	21/64	FLAT	1-7/8	1-19/32	1/2
1/2	29/64	FLAT	2-1/8	1-27/32	1/2
5/8	33/64	3/16	2-3/8	2-1/64	5/8
7/8	49/64	3/16	2-1/2	2-3/16	5/8
1-1/8	63/64	1/4	2-7/8	2-29/64	3/4
1-3/8	1-13/64	5/16	3-3/8	2-7/8	7/8
1-5/8	1-13/32	3/8	3-7/8	3-5/16	1

■ S is keyway width.
U minus R is keyway depth.

NEMA CAST IRON FRAME • 150 & 170 SERIES DIMENSIONS (Inches)

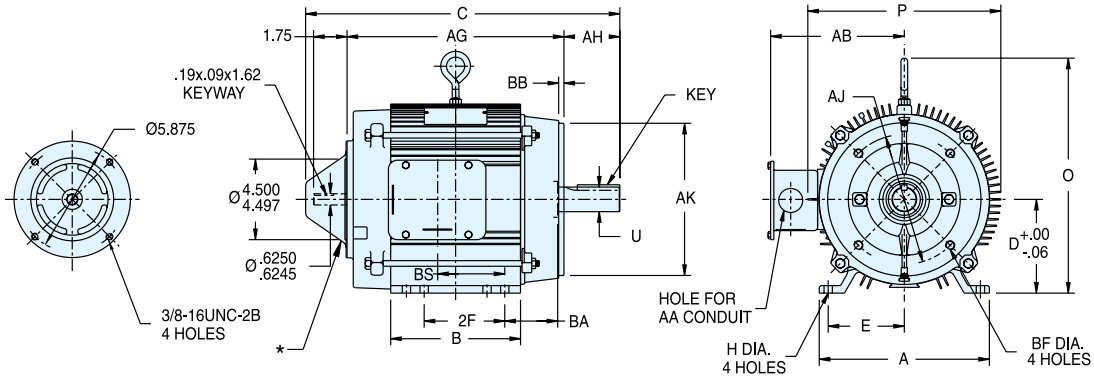
Frame Size ▲	B		D	E	2F	H	N	O	P	U	N-W	AA	AB	AH	AJ	AK	BA	BB	BD	T ^{TEFC} ODP	V ^T TS	TAP ^{**}	KEY																
182T	7 ^{1/4}	6 ^{7/8}	4 ^{1/2}	3 ^{3/4}	4 ^{1/2}	13 ^{3/32}	2 ^{7/8}	8 ^{3/4}	8 ^{15/32}	1 ^{1/8}	2 ^{3/4}	3 ^{3/4}	6 ^{3/8}	2 ^{5/8}	7 ^{1/4}	8 ^{1/2}	*2 ^{3/4}	1 ^{1/4}	8 ^{7/8}	1 ^{9/16}	2 ^{1/2}	1/2-13	1/4																
184T					5 ^{1/2}															1 ^{3/4}																			
213T	7 ^{1/2}	7 ^{1/2}	5 ^{1/4}	4 ^{1/4}	5 ^{1/2}	13 ^{3/32}	—	10 ^{11/16}	10 ^{13/16}	1 ^{3/8}	3 ^{3/8}	1	8 ^{5/16}	3 ^{1/8}	7 ^{1/4}	8 ^{1/2}	*3 ^{1/2}	1 ^{1/4}	9	1 ^{15/16}	3 ^{1/8}	1/2-13	5 ^{1/16}																
215T	9	9			7															2																			
254T	10 ^{3/8}	10 ^{3/8}	6 ^{1/4}	5	8 ^{1/4}	17 ^{3/32}	—	12 ^{15/16}	13 ^{1/4}	1 ^{5/8}	4	1 ^{1/4}	11 ^{5/8}	3 ^{3/4}	7 ^{1/4}	8 ^{1/2}	*4 ^{1/4}	1 ^{1/4}	9 ^{5/8}	2 ^{19/32}	3 ^{3/4}	1/2-13	3/8																
256T	12 ^{1/8}	12 ^{1/8}			10															2 ^{11/16}																			
284TS	11 ^{3/4}	11 ^{3/4}	7	5 ^{1/2}	9 ^{1/2}	17 ^{3/32}	—	14 ^{1/2}	14 ^{3/4}	1 ^{5/8}	3 ^{1/4}	1 ^{1/2}	11 ^{3/4}	3	9	10 ^{1/2}	4 ^{3/4}	1 ^{1/4}	11	2 ^{19/32}	4 ^{3/8}	1/2-13	3/8																
284T																																						1/2	
286TS	13 ^{1/4}	13 ^{1/4}									11														1 ^{5/8}	3 ^{1/4}			3									3/8	
286T																										1 ^{7/8}	4 ^{5/8}			4 ^{3/8}									1/2
324TS	12 ^{7/8}	13 ^{3/8}	8	6 ^{1/4}	10 ^{1/2}	21 ^{3/32}	—	15 ^{3/4}	15 ^{3/4}	1 ^{7/8}	3 ^{3/4}	2	13 ^{1/2}	3 ^{1/2}	11	12 ^{1/2}	5 ^{1/4}	1 ^{1/4}	13 ^{3/8}	2 ^{3/4}	5	5/8-11	1/2																
324T																										2 ^{1/8}	5 ^{1/4}			5									
326TS	14 ^{3/8}	14 ^{7/8}									12															1 ^{7/8}	3 ^{3/4}			3 ^{1/2}									
326T																											2 ^{1/8}	5 ^{1/4}			5								
364TS	13 ^{3/8}	14 ^{7/16}	9	7	11 ^{1/4}	21 ^{3/32}	—	17 ^{13/16}	16	1 ^{7/8}	3 ^{3/4}	3	15 ^{7/16}	3 ^{1/2}	11	12 ^{1/2}	5 ^{7/8}	1 ^{1/4}	14	2 ^{1/2}	5 ^{5/8}	5/8-11	1/2																
364T																									2 ^{3/8}	5 ^{7/8}			3 ^{1/2}									5/8	
365TS	14 ^{3/8}	15 ^{7/16}									12 ^{1/4}														1 ^{7/8}	3 ^{3/4}			3 ^{1/2}										1/2
365T																										2 ^{3/8}	5 ^{7/8}			5 ^{7/8}									
404TS	15 ^{15/16}	15 ^{15/16}	10	8	12 ^{1/4}	13 ^{1/16}	—	19 ^{5/16}	19 ^{1/8}	2 ^{1/8}	4 ^{1/4}	3	16 ^{5/16}	4	11	12 ^{1/2}	6 ^{5/8}	1 ^{1/4}	15 ^{1/2}	2 ^{25/32}	7	5/8-11	1/2																
404T																									2 ^{7/8}	7 ^{1/4}			7										3/4
405TS	17 ^{7/16}	17 ^{7/16}									13 ^{3/4}														2 ^{1/8}	4 ^{1/4}			4										1/2
405T																										2 ^{7/8}	7 ^{1/4}			7									
444T	18 ^{11/16}	20 ^{5/8}	11	9	14 ^{1/2}	13 ^{1/16}	—	22 ^{1/4}	22	3 ^{3/8}	8 ^{1/2}	3	21 ^{11/16}	8 ^{1/4}	14	16	7 ^{1/2}	1 ^{1/4}	18	3	8 ^{1/4}	5/8-11	7/8																
444TS																									2 ^{3/8}	4 ^{3/4}			3									5/8	
445T	20 ^{5/8}	20 ^{5/8}									16 ^{1/2}														3 ^{3/8}	8 ^{1/2}			3 ^{3/4}										7/8
445TS																															4 ^{1/2}								
447T	24 ^{3/16}	29 ^{1/8}	11	9	20	13 ^{1/16}	—	24 ^{1/4}	26 ^{1/2}	3 ^{3/8}	8 ^{1/2}	3	25 ^{15/16}	8 ^{1/4}	14	16	7 ^{1/2}	1 ^{1/4}	18	3 ^{3/16}	8 ^{1/4}	5/8-11	7/8																
449T																																							

* 182-184TC NEMA C face BA dimension is 3^{1/2}", 213-215TC NEMA C face BA dimension is 4^{1/4}", 254-256T NEMA C face BA dimension is 4^{3/4}".

** 326TC and smaller have 4 mounting holes in NEMA C face, 364TC and larger have 8 mounting holes.

▲ Blue shading denotes dimensions established by NEMA standard MG1, others are unique to LEESON, and will vary with each manufacturer.

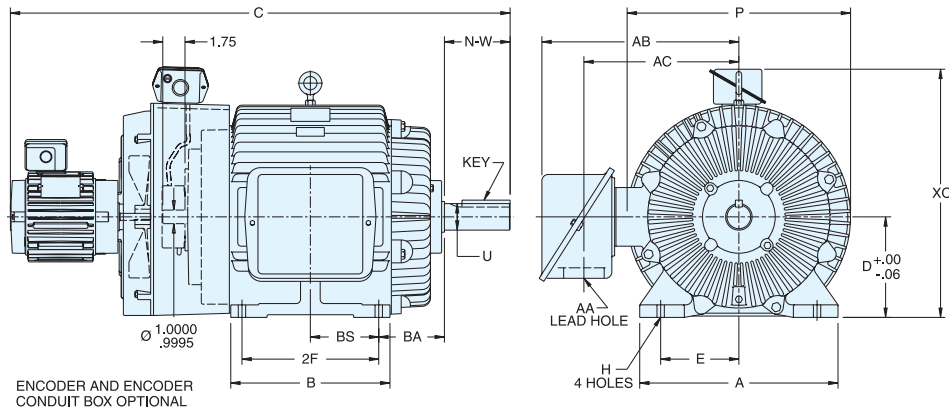
TENV—C FACE, RIGID BASE



TENV • C FACE • RIGID BASE • DIMENSIONS (Inches)

Frame Size	D	E	2F	H	O MAX.	P MAX.	U	AA	AB MAX.	AG MAX.	AH	AJ	AK	BA	BB	BF	BS	KEY
143TC	3.50	2.75	4.00	.38	7.45	7.98	.875	1.09	7.04	9.25	2.12	5.875	4.50	2.62	.13	3/8-16	2.81	.19 x .19 x 1.38
145TC	3.50	2.75	5.00	.35	7.45	7.98	.875	1.09	7.04	10.25	2.12	5.875	4.50	2.62	.13	3/8-16	3.81	.19 x .19 x 1.38
182TC	4.50	3.75	4.50	.41	9.36	9.76	1.125	1.09	8.08	11.75	2.62	7.250	8.50	3.50	.27	1/2-13	2.25	.25 x .25 x 1.75
184TC	4.50	3.75	5.50	.41	9.36	9.76	1.125	1.09	8.08	12.75	2.62	7.250	8.50	3.50	.27	1/2-13	2.75	.25 x .25 x 1.75
213TC	5.25	4.25	5.50	.44	10.97	11.50	1.375	1.09	9.31	15.12	3.12	7.250	8.50	4.25	.27	1/2-13	3.50	.31 x .31 x 2.38
215TC	5.25	4.25	7.00	.44	10.97	11.50	1.375	1.09	9.31	17.31	3.12	7.250	8.50	4.25	.27	1/2-13	6.18	.31 x .31 x 2.38
254TC	6.25	5.00	8.25	.53	14.09	14.27	1.625	1.25	9.83	19.06	3.75	7.250	8.50	4.75	.27	1/2-13	6.31	.38 x .38 x 2.88
256TC	6.25	5.00	10.00	.56	14.09	14.27	1.625	1.25	11.08	18.82	3.75	7.250	8.50	4.75	.27	1/2-13	5.00	.38 x .38 x 2.88
284TC	7.00	5.50	9.50	.56	14.16	14.32	1.875	1.50	12.31	20.57	4.38	9.000	10.50	4.75	.27	1/2-13	5.50	.50 x .50 x 3.25

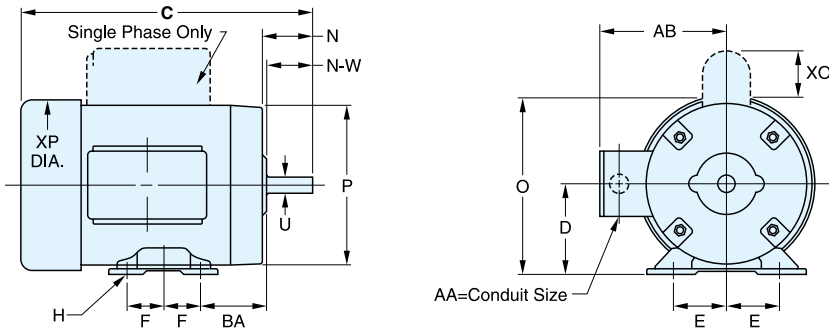
TBEC—TOTALLY ENCLOSED BLOWER COOLED, RIGID BASE



TBEC • TOTALLY ENCLOSED BLOWER COOLED • RIGID BASE • DIMENSIONS (Inches)

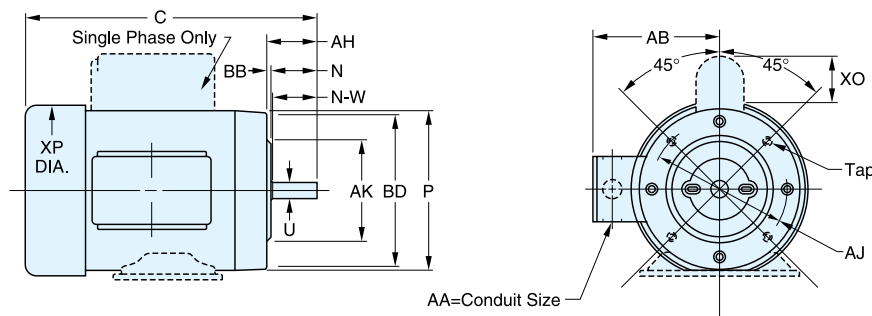
Frame Size	D	E	2F	H	O MAX.	P MAX.	U	AA	AB MAX.	AC MAX.	BA	BS	FU	N-W	KEY
325T	8.00	6.25	10.50	.66	16.00	15.88	2.12	2.00	13.69	10.69	5.25	5.25	1.00	5.25	.50 x .50 x 3.88
326T	8.00	6.25	12.00	.66	16.00	15.88	2.12	2.00	13.69	10.69	5.25	6.00	1.00	5.25	.50 x .50 x 3.88
364T	9.00	7.00	11.25	.66	19.00	20.00	2.38	3.62	17.85	14.56	5.88	5.62	1.00	5.88	.62 x .62 x 4.25
365T	9.00	7.00	12.25	.66	19.00	20.00	2.38	3.62	17.85	14.56	5.88	6.12	1.00	5.88	.62 x .62 x 4.25
404T	10.00	8.00	12.25	.81	20.88	21.75	2.88	3.62	18.75	14.75	6.62	6.12	1.00	7.25	.75 x .75 x 5.62
405T	10.00	8.00	13.75	.81	20.88	21.75	2.88	3.62	19.75	16.25	6.62	6.88	1.00	7.25	.75 x .75 x 5.62
444T	11.00	9.00	14.50	.81	24.19	25.31	3.38	3.62	20.94	17.38	7.50	7.25	1.00	8.50	.88 x .88 x 6.88
445T	11.00	9.00	16.50	.81	24.19	26.31	3.38	3.62	20.94	17.38	7.50	8.25	1.00	8.50	.88 x .88 x 6.88
449T	11.00	9.00	25.00	.81	24.22	26.31	3.38	4.62	25.90	19.31	7.50	1.78	1.00	8.50	.88 x .88 x 6.88

RIGID MOUNT



The condensed dimensions shown on these pages are for general reference only and are not for construction. The overall length or "C" dimension for each catalog item is included in this catalog. **Certified drawings of all ratings are available for construction purposes.**

C FACE



NEMA SHAFT AND KEYWAY DIMENSIONS (Inches)

NEMA SHAFT (U)	KEYWAY DIMENSIONS		NEMA SHAFT (U)	KEYWAY DIMENSIONS	
	(R)	(S)		(R)	(S)
3/8	21/64	FLAT	1-7/8	1-19/32	1/2
1/2	29/64	FLAT	2-1/8	1-27/32	1/2
5/8	33/64	3/16	2-3/8	2-1/64	5/8
7/8	49/64	3/16	2-1/2	2-3/16	5/8
1-1/8	63/64	1/4	2-7/8	2-29/64	3/4
1-3/8	1-13/64	5/16	3-3/8	2-7/8	7/8
1-5/8	1-13/32	3/8	3-7/8	3-5/16	1

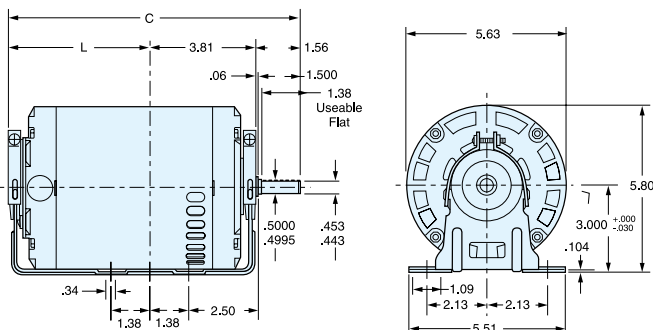
■ S is keyway width.
U minus R is keyway depth.

NEMA STEEL FRAME DIMENSIONS (Inches)

Frame Size ▲	D	E	F	H	N	O	P	U	N-W	AA	AB	AH	AJ	AK	BA	BB	BD	XO	XP	TAP **	KEY
42	2 ⁵ / ₈	1 ³ / ₄	27 ¹ / ₃₂	9 ¹ / ₃₂ Slot	1 ⁹ / ₁₆	5 ¹ / ₁₆	4 ⁷ / ₈	3 ³ / ₈	1 ¹ / ₈	3 ³ / ₈	4 ¹ / ₂	1 ⁵ / ₁₆	3 ³ / ₄	3	2 ¹ / ₁₆	1 ⁷ / ₈	4 ⁷ / ₈	1 ⁵ / ₈	5 ¹ / ₈	1/4-20	3/64 Flat
48	3	2 ¹ / ₈	1 ³ / ₈	11 ¹ / ₃₂ Slot	1 ⁹ / ₁₆	5 ¹³ / ₁₆	5 ¹⁹ / ₃₂	1 ¹ / ₂	1 ¹ / ₂	1 ¹ / ₂	4 ⁷ / ₈	1 ¹¹ / ₁₆	3 ³ / ₄	3	2 ¹ / ₂	1 ⁷ / ₈	5	2 ¹ / ₄	5 ⁷ / ₈	1/4-20	3/64 Flat
S56 56	3 ¹ / ₂	2 ⁷ / ₁₆	1 ¹ / ₂	11 ¹ / ₃₂ Slot	1 ¹⁵ / ₁₆	6 ⁵ / ₁₆ 6 ¹³ / ₁₆	5 ¹⁹ / ₃₂ 6 ¹⁹ / ₃₂	5 ⁵ / ₈	1 ⁷ / ₈	1 ¹ / ₂	4 ⁷ / ₈ 5 ⁵ / ₁₆	2 ¹ / ₁₆	5 ⁷ / ₈	4 ¹ / ₂	2 ³ / ₄	1 ⁷ / ₈	6 ¹ / ₂	2 ¹ / ₄	5 ⁷ / ₈ 7 ⁵ / ₃₂	3/8-16	3/16
143T 145T	3 ¹ / ₂	2 ⁹ / ₄	2 2 ¹ / ₂	11 ¹ / ₃₂	2 ⁹ / ₈	6 ¹³ / ₁₆	6 ¹⁹ / ₃₂	7 ⁷ / ₈	2 ¹ / ₄	3 ³ / ₄	5 ⁹ / ₁₆	2 ¹ / ₈	5 ⁷ / ₈	4 ¹ / ₂	*2 ¹ / ₄	1 ⁷ / ₈	6 ¹ / ₂	2 ¹ / ₄	7 ⁹ / ₃₂	3/8-16	3/16
182T 184T	4 ¹ / ₂	3 ³ / ₄	2 ¹ / ₄ 2 ³ / ₄	13 ¹ / ₃₂	2 ⁷ / ₈	8 ³ / ₄	8 ¹⁵ / ₃₂	1 ¹ / ₈	2 ³ / ₄	3 ³ / ₄	6 ⁷ / ₁₆	2 ⁵ / ₈	7 ¹ / ₄	8 ¹ / ₂	*2 ³ / ₄	1 ¹ / ₄	8 ⁷ / ₈	2 ¹ / ₄	9 ⁷ / ₃₂	1/2-13	1/4
S213T 213T 215T	5 ¹ / ₄	4 ¹ / ₄	2 ³ / ₄ 2 ³ / ₄ 3 ¹ / ₂	13 ¹ / ₃₂	3 ¹ / ₂	9 ²⁷ / ₃₂	8 ¹³ / ₃₂	1 ³ / ₈	3 ³ / ₈	3 ³ / ₄	7 ¹⁹ / ₃₂	3 ¹ / ₈	7 ¹ / ₄	8 ¹ / ₂	*3 ¹ / ₂	1 ¹ / ₄	8 ⁷ / ₈ 8 ⁵ / ₈	2 ¹ / ₄	9 ⁷ / ₃₂ 10 ¹³ / ₁₆	1/2-13	5/16

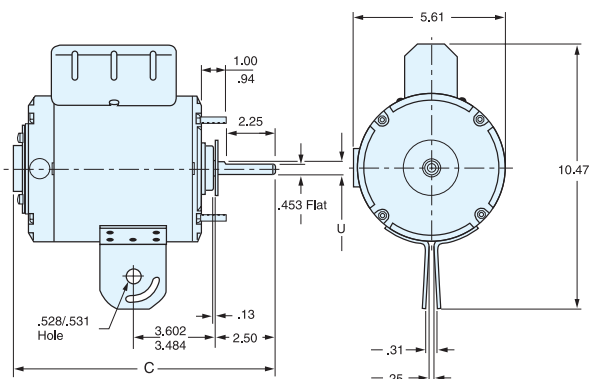
* 143-5TC NEMA C face BA dimension is 2³/₄". 182-4TC NEMA C face BA dimension is 3¹/₂". 213-5TC NEMA C face BA dimension is 4¹/₄".
** 326TC and smaller have 4 mounting holes in NEMA C face, 364TC and larger have 8 mounting holes.
▲ Blue shading denotes dimensions established by NEMA standard MG1, others are unique to LEESON, and will vary with each manufacturer.

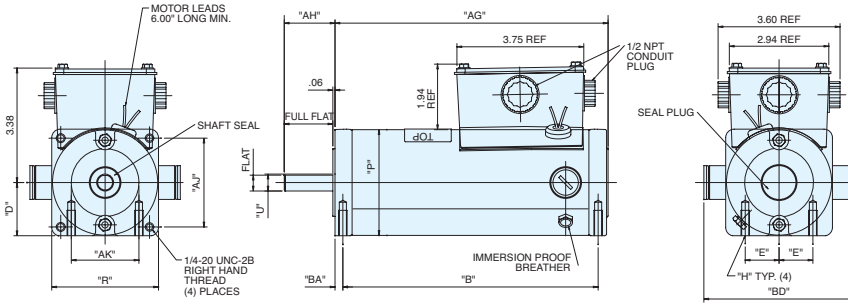
Split-Phase Motors - 191868, 191869 & 191870 (page 59)



Pedestal Fan Motors (page 59)

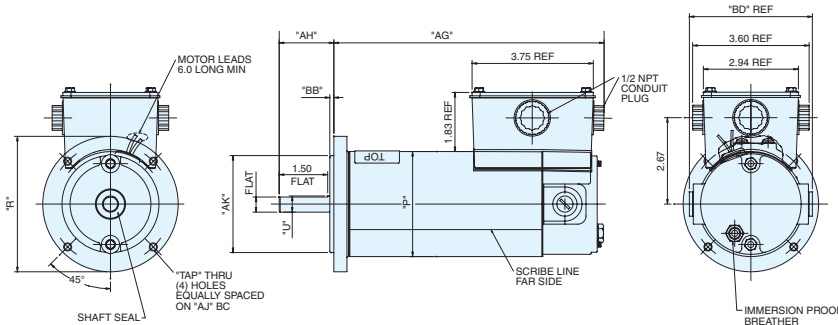
Note: Motors with U = .625 have a 3/16" keyway.





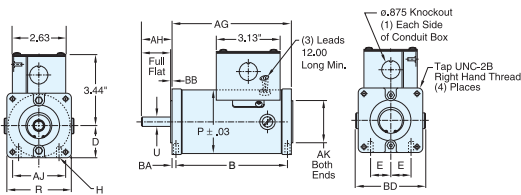
WASHGUARD 31 FRAME SQUARE FLANGE MOUNT STYLE DIMENSIONS (Inches)

Catalog Number	Frame	AG	P	BD	U	AH	AH-BB	AJ	Tap	R	AK	BB	D	BA	E	F	H
M1120181	31S	7.07	3.13	3.80	.50000	1.5	1.44	2.63	1/4-20	3.16	1.99	.07	1.57	.235	1.000	6.55	1/4-20
M1120182	31S	6.57	3.13	4.45	.50000	1.5	1.44	2.63	1/4-20	3.16	1.99	.07	1.57	.235	1.000	6.05	1/4-20
M1120183	31S	8.57	3.13	3.80	.50000	1.5	1.44	2.63	1/4-20	3.16	1.99	.07	1.57	.235	1.000	8.05	1/4-20
M1120184	31S	8.07	3.13	4.45	.50000	1.5	1.44	2.63	1/4-20	3.16	1.99	.07	1.57	.235	1.000	7.55	1/4-20



WASHGUARD 42C FACE MOUNT STYLE DIMENSIONS (Inches)

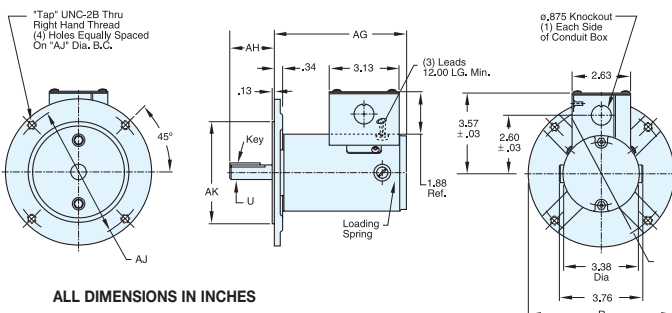
Catalog Number	Frame	AG	P	U	AH	AH-BB	KEY	AJ	TAP	AK	R	BD
M1120185	32F42CZ	8.36	3.25	.500	1.69	1.50	.13 SQ	3.750	1/4-20	3.00	4.19	3.80
M1120186	32F42CZ	7.86	3.25	.500	1.69	1.50	.13 SQ	3.750	1/4-20	3.00	4.19	4.43



25 & 31 FRAME SQUARE FLANGE MOUNT DIMENSIONS (Inches)

Frame & Type	AG	P	BD	U	AH	AH-BB	AJ	TAP	R	AK	BB	D	BA	E	B	H	
25	AS	4.08	2.50	3.00	.312	1.5	1.00	1.73	8-32	2.62	.997	.03	1.28	.125	.625	3.83	8-32
	CS	4.94	2.50	3.00	.312	1.5	1.00	1.73	8-32	2.62	.997	.03	1.28	.125	.625	4.69	8-32
31	BS	5.39	3.07	3.45	.5000	1.5	1.00	2.63	1/4-20	3.16	1.99	.07	1.57	.235	1.000	4.92	1/4-20
	CS**	5.89	3.07	3.45	.5000	1.5	1.00	2.63	1/4-20	3.16	1.99	.07	1.57	.235	1.000	5.42	1/4-20
	ES**	6.89	3.07	3.45	.5000	1.5	1.00	2.63	1/4-20	3.16	1.99	.07	1.57	.235	1.000	6.42	1/4-20
	GS	7.89	3.07	3.45	.5000	1.5	1.00	2.63	1/4-20	3.16	1.99	.07	1.57	.235	1.000	7.42	1/4-20

**Catalog numbers M1120041 & M1120044 have an 'AG' & 'F' dimension that is .5" longer than stated in table.



ALL DIMENSIONS IN INCHES

42C FACE MOUNT DIMENSIONS (Inches)

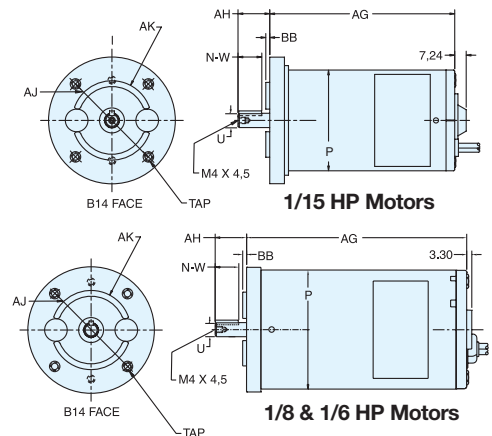
Frame	AG	P	U	AH	AH-BB	KEY	AJ	TAP	AK	R
34D42C	6.43	3.38	.500	1.38	1.25	.13 SQ	3.750	1/4-20	3.00	4.25

56C FACE MOUNT DIMENSIONS (Inches)

Frame	AG	P*	U	AH	AH-BB	KEY	AJ	TAP	AK	R
34E56C	6.87	3.38	.625	2.06	1.93	.19 SQ	5.875	3/8-16	4.50	6.50
34G56C	8.59	3.38	.625	2.06	1.93	.19 SQ	5.875	3/8-16	4.50	6.50

*For 1/4 HP 34 frame TEFC designs. Fan cover diameter is 3.88".

COMMERCIAL DUTY METRIC (IEC) FRAME MOTORS

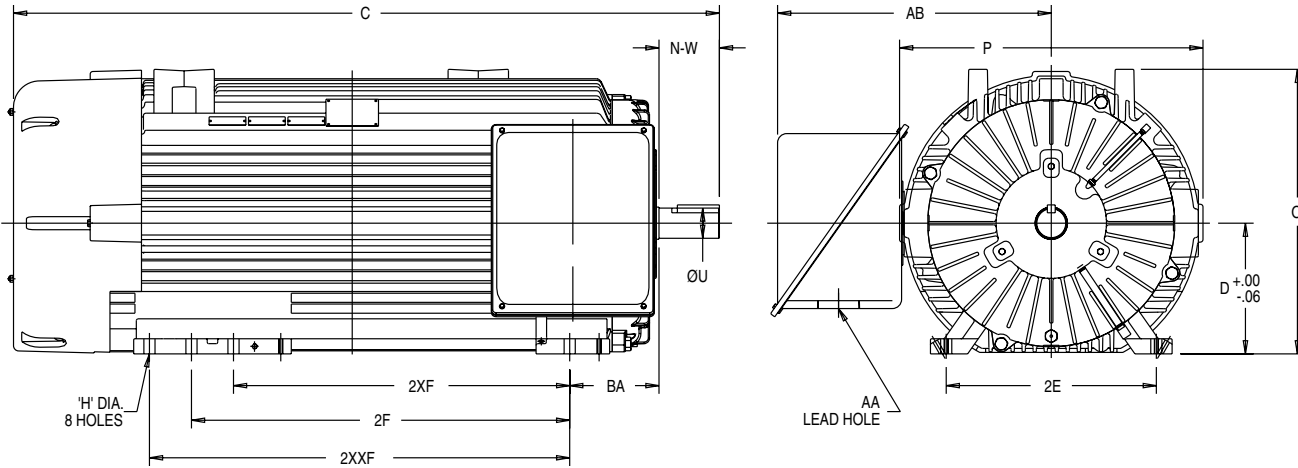


DIMENSIONS (Inches)

Frame Voltage	AG	P	U	AH	N-W	AJ	TAP	AK	BB
2.50	12	4.59	2.50	.35	.787	.591	2.56	M5x.8	1.97 .10
	24	4.59	2.50	.35	.787	.591	2.56	M5x.8	1.97 .10
	90	4.59	2.50	.35	.787	.591	2.56	M5x.8	1.97 .10
3.00	12	5.53	3.00	.35	.787	.591	2.56	M5x.8	1.97 .10
	24	5.53	3.00	.35	.787	.591	2.56	M5x.8	1.97 .10
	90	5.53	3.13	.35	.787	.591	2.56	M5x.8	1.97 .10
3.00	12	5.87	3.00	.35	.787	.591	2.56	M5x.8	1.97 .10
	24	5.87	3.00	.35	.787	.591	2.56	M5x.8	1.97 .10
	90	5.87	3.13	.35	.787	.591	2.56	M5x.8	1.97 .10

Note: Optional conduit box not included on 25 frame models.

Conduit box dimensions shown here are for 31 frame only.



FRAME	H	BA	2XF	2F	2XXF	N-W	U	AB (MAX.)	P (MAX.)	O (MAX.)	D	2E	AA
5010LS	1.062 1.077	8.50	32.00	—	—	5.75	2.875 2.874	26.05	28.88	27.08	12.470 12.410	20.00	4.00 NPT
5011LS	1.062 1.077	8.50	—	36.00	—	5.75	2.875 2.874	26.05	28.88	27.08	12.470 12.410	20.00	4.00 NPT
5012LS	1.062 1.077	8.50	—	—	40.00	5.75	2.875 2.874	26.05	28.88	27.08	12.470 12.410	20.00	4.00 NPT
5013LS	1.062 1.077	8.50	45.00	—	—	5.75	2.875 2.874	26.05	28.88	27.08	12.470 12.410	20.00	4.00 NPT
5010LX	1.062 1.077	8.50	32.00	—	—	12.00	3.875 3.874	26.05	28.88	27.08	12.470 12.410	20.00	4.00 NPT
5011LX	1.062 1.077	8.50	—	36.00	—	12.00	3.875 3.874	26.05	28.88	27.08	12.470 12.410	20.00	4.00 NPT
5012LX	1.062 1.077	8.50	—	—	40.00	12.00	3.875 3.874	26.05	28.88	27.08	12.470 12.410	20.00	4.00 NPT
5013LX	1.062 1.077	8.50	45.00	—	—	12.00	3.875 3.874	26.05	28.88	27.08	12.470 12.410	20.00	4.00 NPT
5010L	1.062 1.077	8.50	32.00	—	—	9.50	4.000 3.999	26.05	28.88	27.08	12.470 12.410	20.00	4.00 NPT
5011L	1.062 1.077	8.50	—	36.00	—	9.50	4.000 3.999	26.05	28.88	27.08	12.470 12.410	20.00	4.00 NPT
5012L	1.062 1.077	8.50	—	—	40.00	9.50	4.000 3.999	26.05	28.88	27.08	12.470 12.410	20.00	4.00 NPT
5013L	1.062 1.077	8.50	45.00	—	—	9.50	4.000 3.999	26.05	28.88	27.08	12.470 12.410	20.00	4.00 NPT
5010S	1.062 1.077	8.50	32.00	—	—	5.75	2.625 2.624	26.05	28.88	27.08	12.470 12.410	20.00	4.00 NPT
5011S	1.062 1.077	8.50	—	36.00	—	5.75	2.625 2.624	26.05	28.88	27.08	12.470 12.410	20.00	4.00 NPT
5012S	1.062 1.077	8.50	—	—	40.00	5.75	2.625 2.624	26.05	28.88	27.08	12.470 12.410	20.00	4.00 NPT
5013S	1.062 1.077	8.50	45.00	—	—	5.75	2.625 2.624	26.05	28.88	27.08	12.470 12.410	20.00	4.00 NPT

All dimensions are measured in inches. For "C" dimensions, refer to the appropriate catalog page. Certified drawings are available upon request - contact LEESON Electric for details.

TERMS AND CONDITIONS OF SALES QUOTATIONS ARE MADE AND ORDERS ARE ACCEPTED BY SELLER ONLY TO THESE TERMS AND CONDITIONS. THE SELLER FOR THESE TERMS AND CONDITIONS APPLY TO BOTH LEESON ELECTRIC AND LINCOLN MOTORS PRODUCTS:

1. AGREEMENT AND MODIFICATION OF SALES TERMS.

The agreement between Seller and Buyer ("Sales Contract") is with respect to the sale of goods described on the other side hereof (the "Goods"). Any Terms and Conditions contained in any purchase order or other form of communication from Seller's customers, which are additional to or different from these Terms and Conditions, shall be deemed rejected by Seller unless expressly accepted in writing by Seller.

2. ACCEPTANCE OF ORDERS.

Acceptance by Seller of Buyer's purchase order(s) is expressly conditioned upon Buyer's assent to these Terms and Conditions. Buyer will be deemed to have assented to such Terms and Conditions unless Seller receives written notice of any objections within 10 days after Buyer's receipt of this form or in all events prior to any delivery or other performance by Seller of Buyer's order.

3. QUOTATIONS.

Quotations by Seller shall be deemed to be offers by Seller to sell the Goods described therein subject to these Terms and Conditions, and acceptance of such offers is expressly limited to acceptance by Buyer of all of these Terms and Conditions within 30 days from the date of the quotation or as specified. Purchase orders submitted by Buyer for the Goods quoted by Seller shall be subject to and will be deemed to constitute acceptance of these Terms and Conditions. All purchase orders will be subject to approval by Seller.

4. TERMINATION OR MODIFICATION.

The Sales Contract may be modified or terminated only upon Seller's express written consent, which consent will at all times be conditioned on Buyer's agreement to pay Seller's modification or termination charges including, but not limited to expenses and costs plus a reasonable profit, except that any Goods completed on or before Seller's acceptance of termination shall be accepted and paid in full by Buyer.

5. PRICES AND TERMS.

Fulfillment of Buyer's order is contingent upon the availability of materials. The price of the Goods sold pursuant to the Sales Contract shall be based upon Seller's prices in effect at the time of shipment and any acceptance of the order will be on the basis of the freight rates in effect at the time of shipment. In the event of an increase or decrease in the applicable freight charges before the material is shipped, such changes in freight charges will be for the account of Buyer. Price advances, discounts, extras and terms and conditions are subject to changes without notice. Unless otherwise provided on the front side hereof, price is F.O.B. Seller's point of shipment, and terms of payment shall be net 30 days from date of invoice. Seller may assess finance and service charges of 1-1/2 percent per month (or the highest rate allowed by state law) on invoices not paid within stated payment terms. Open account credit status is offered at the discretion of the Seller. Seller may discontinue open account status or change credit limit as warranted, in its opinion, by the financial condition and/or credit history of the Buyer. Seller may require full or partial payment or payment guarantees in advance of shipment whenever, in its opinion, the financial condition and/or credit history of Buyer so warrants. In addition, Seller may, at any time, suspend performance of any order or require payment in cash, security or other adequate assurance satisfactory to Seller when, in Seller's opinion, the financial condition and/or credit history of Buyer warrants such action.

6. TAXES.

Prices do not include sales, use or other similar federal, state or local taxes. Buyer shall either have a tax-exemption certificate on file with the Seller or pay to Seller, in addition to the price of the Goods, any and all applicable taxes, which may be invoiced separately at a later date.

7. DESIGN; EXTRA WORK; BUYER'S MATERIAL.

(a) If any order accepted by Seller contemplates the preparation of special designs by Seller, Buyer issuing such order will have a responsible representative specifically approve all designs prepared by Seller. (b) If Buyer requests extra work not included in the quotation or original order, Buyer will pay for the extra work at reasonable rates as determined by Seller. (c) In the event spoilage/damage occurs on orders where Buyer furnishes any material, Seller shall not be liable for replacement of or damage to such material.

8. RISK OF LOSS, SECURITY INTEREST.

Delivery shall occur, and risk of loss shall pass to Buyer, upon delivery of the Goods to a carrier at the F.O.B. point of shipment. Transportation shall be at Buyer's sole risk and expense, and any claims for losses or damage in transit shall be against the carrier only. Buyer agrees to perform all acts necessary to provide a fully perfected security interest in the Goods in favor of Seller. Seller may, at its option, repossess the same, upon Buyer's default in payment hereunder, and charge Buyer with any deficiency.

9. DELIVERIES AND QUANTITIES.

(a) Delivery dates are not guaranteed but are estimated on the basis of immediate receipt by Seller of all information to be furnished by Buyer and the absence of delay, direct or indirect, resulting from or contributed to by circumstances beyond Seller's reasonable control. If the Goods are non-catalog Goods, Seller may ship overages or underages to the extent of 10 percent of quantity ordered, and Buyer shall pay for such quantity based upon the unit price of the Goods. Seller shall not be required to maintain closer control of quantity, unless specifically agreed to by Seller in writing. Quantities of all Goods may be determined by weight. Any claims for shortage must be within 10 days from the date of receipt of the Goods by Buyer, and in every case the weights found in any particular shipment, including

tare, must be given and Seller advised as to the method used by Buyer in computing the count of Goods. (b) In the event that Buyer is unable to accept delivery of the Goods at time of shipment, Seller shall invoice Buyer for the full purchase price as if shipment had been made and: (i) if Seller is able to store such Goods in its own facilities, Buyer will pay Seller the reasonable handling and storage charges for the period of such storage, and (ii) if Seller is unable to store such Goods at its own facility, Seller reserves the right to arrange handling and storage in a suitable bonded warehouse for the Buyer at Buyer's expense. In cases where handling and storage become necessary, it shall be Buyer's responsibility to notify Seller when shipment is to be made. Seller will make necessary arrangements for shipment at Buyer's expense.

Freight and handling charges by Seller may not reflect actual freight charges prepaid to the carrier by Seller due to incentive discounts earned by Seller based upon Seller's aggregate volume of freight tendered to a carrier or when a carrier must be used which charges a rate which is different than the rate upon which the Seller's freight and handling charges were based. When shipments are delivered in Seller's private trucks, Buyer will be charged an amount approximating the prevailing common carrier rate.

10. RETURNED GOODS.

Goods may not be returned. However, if Seller consents in writing or upon verbal authorization to the return of Goods for any reason, Buyer, who also shall assume all risk of loss of such returned Goods until actual receipt by Seller, must prepay transportation charges.

11. INSPECTION, ACCEPTANCE.

Buyer shall inspect the Goods immediately upon the receipt thereof. All claims by Buyer (including claims for shortages), except only those provided for under the WARRANTY AND LIMITATIONS OF LIABILITY and PATENTS clauses below, must be asserted in writing by Buyer within a 10-day period or they are waived. If this contract involves partial performances, all such claims must be asserted within a 10-day period for each partial performance. Rejection may be only for defects substantially impairing the value of the Goods. Buyer's remedy for lesser defects shall be those provided for under the Warranty and Limitations of Liability clauses. THERE SHALL BE NO REVOCATION OF ACCEPTANCE. If Buyer wrongfully rejects, revokes or delays acceptance of items or work tendered under this contract, or fails to make a payment due on or before delivery, or repudiates this contract, Seller shall, at its option, have the right to recover as damages, either the price as stated herein (upon recovery of the price, the Goods involved shall become the property of the Buyer) or the profit (including reasonable overhead) which the Seller would make from performance together with incidental damages and reasonable costs.

12. WARRANTIES, LIMITATIONS OF LIABILITY AND DISCLAIMER.

(a) Seller warrants to the Buyer that its motors, gear reducers, gearmotors, gearboxes, DC controllers, and AC drives are free from defects in workmanship and materials when operated under normal conditions and in accordance with nameplate characteristic limits. This warranty shall be in effect for a period of 12 months from date of installation, but in no event be in effect for more than 18 months from date of manufacture, with the following exceptions: i) EPACT motors ("G" prefix), which are warranted for a period of 24 months from date of installation but for not more than 30 months from date of manufacture, ii) Wattsaver Premium Efficiency three phase motors and Speedmaster Inverter-Duty motors are warranted for a period of 36 months from the date of installation but for not more than 42 months from the date of manufacture, & iii) Motor brakes provided as coupler brakes, brake kits, or as part of brakemotors are covered by the manufacturers' (Stearns or Dings) warranties. Certain Goods are warranted for different periods of time under specific conditions. Buyer must consult the current product catalog or internet site to confirm this warranty period.

(b) Seller's sole obligation under the foregoing warranties is limited to either, at Seller's option, replacing or repairing defective Goods (or defective parts thereof) within the warranty period. Seller shall not be liable under any circumstances, for consequential or incidental damages, including, but not limited to personal injury or labor costs. This warranty does not cover the cost of removal, installation, or re-testing of the new or repaired Goods or parts, or any other direct or incidental expenses incurred in shipping the Goods to or from Seller. Replacement Goods or parts are warranted for the remainder of the warranty period applicable to the Goods originally supplied by Seller. All claims for allegedly defective Goods must be made within 10 days after Buyer learns of such alleged defects. All claims not made in writing and received by Seller within such 10-day period shall be deemed waived. With prior approval from Seller, Buyer shall return a sample of the alleged defective part, freight prepaid, for Seller's inspection, and no other Goods shall be returned to Seller's District Office/Warehouse, nearest factory, or Authorized Service Center without Seller's written consent. This warranty shall not extend to Goods subjected to misuse, abuse, neglect, accident or improper installation or maintenance, incorrect lubrication, incorrect electrical connection, improper power supply, or Goods which have been altered or repaired by anyone other than Seller or its authorized representative.

(c) Under no circumstances will Seller be responsible for any expense in connection with any repairs made by anyone other than Seller or an Authorized Service Center, unless such repairs have been specifically authorized in writing by the Seller Service and Warranty Department.

(d) In the case of motors, drives, gears and reducers manufactured or marketed by Seller,

Seller warrants only that such Goods, when shipped, shall be capable of delivering the service rating as indicated in Seller's written documents, including quotations and catalogs or as noted on such Goods, providing such Goods are properly installed, connected, and maintained, correctly lubricated, operating under normal conditions with competent supervision, and within the load limits and voltage range for which it was sold, and provided further that the equipment is free from critical speed, torsional or other type vibration, no matter how induced.

(e) If any prototype or sample was provided to the Buyer, it was used merely to illustrate the general type and quality of Goods and not to warrant that Goods shipped would be of that type or quality.

(f) UNLESS AUTHORIZED IN WRITING BY A CORPORATE OFFICER OR VICE PRESIDENT, NO AGENT, EMPLOYEE OR REPRESENTATIVE OF SELLER HAS ANY AUTHORITY TO BIND SELLER TO ANY AFFIRMATION, REPRESENTATION OR WARRANTY CONCERNING THE GOODS SOLD UNDER THE SALES CONTRACT AND ANY SUCH AFFIRMATION, REPRESENTATION OR WARRANTY HAS NOT FORMED A PART OF THE BASIS OF THE BARGAIN AND SHALL BE UNENFORCEABLE.

(g) THE FOREGOING WARRANTIES ARE EXCLUSIVE AND IN LIEU OF ALL OTHER WARRANTIES OF MERCHANTABILITY, FITNESS FOR A PARTICULAR PURPOSE AND/OR ANY OTHER TYPE, WHETHER EXPRESS OR IMPLIED.

(h) Products not manufactured and work not performed by Seller are warranted only to the extent and in the manner that the same are warranted to Seller by Seller's vendors, and then only to the extent that Seller is reasonably able to enforce such warranty. In enforcing such warranty, it is understood Seller shall have no obligation to initiate litigation unless Buyer undertakes to pay all costs and expenses therefor, including but not limited to reasonable attorney's fees, and indemnifies Seller against any liability to Seller's vendors arising out of such litigation.

(i) THE FOREGOING IS SELLER'S ONLY OBLIGATION AND BUYER'S EXCLUSIVE REMEDY FOR BREACH OF WARRANTY. BUYER'S FAILURE TO SUBMIT A CLAIM AS PROVIDED ABOVE SHALL SPECIFICALLY WAIVE ALL CLAIMS FOR DAMAGES OR OTHER RELIEF INCLUDING BUT NOT LIMITED TO CLAIMS BASED ON LATENT DEFECTS. EVEN IF THE REPAIR OR REPLACEMENT REMEDY SHALL BE DEEMED TO HAVE FAILED OF ITS ESSENTIAL PURPOSE UNDER SECTION 2-719 OF THE UNIFORM COMMERCIAL CODE, SELLER SHALL HAVE NO LIABILITY TO BUYER FOR CONSEQUENTIAL DAMAGES, SUCH AS LOST PROFITS, LOST REVENUE, DAMAGE TO OTHER EQUIPMENT OR LIABILITY OR INJURY TO A THIRD PARTY. IN NO EVENT SHALL BUYER BE ENTITLED TO INCIDENTAL, CONSEQUENTIAL, OR SPECIAL DAMAGES, NOR SHALL SELLER'S LIABILITY EXCEED THE PURCHASE PRICE OF THE GOODS. ANY ACTION ARISING HEREUNDER OR RELATED HERETO MUST BE COMMENCED WITHIN ONE (1) YEAR AFTER THE CAUSE OF ACTION OCCURS OR IT SHALL BE BARRED, NOTWITHSTANDING ANY STATUTORY PERIOD OF LIMITATIONS TO THE CONTRARY.

(j) In the event of the resale of any of the Goods, in whatever form, Buyer will include the following language in a conspicuous place and in a conspicuous manner in a written agreement covering such resale: "THE MANUFACTURER MAKES NO WARRANTIES OR REPRESENTATIONS, EXPRESS OR IMPLIED, BY OPERATION OF LAW OR OTHERWISE, AS TO THE MERCHANTABILITY OR FITNESS FOR A PARTICULAR PURPOSE OF THE GOODS SOLD HEREUNDER. BUYER ACKNOWLEDGES THAT IT ALONE HAS DETERMINED THAT THE GOODS PURCHASED HEREUNDER WILL SUITABLY MEET THE REQUIREMENTS OF THEIR INTENDED USE. IN NO EVENT WILL MANUFACTURER BE LIABLE FOR CONSEQUENTIAL, INCIDENTAL OR OTHER DAMAGES."

(k) Nuclear Use Disclaimer - Goods sold by Seller are not intended for use in connection with any nuclear facility or activity. If so used, Seller disclaims all liability for any nuclear damage, injury or contamination, and Buyer shall indemnify and hold Seller, its officers, agents, employees, successors, assigns and customers harmless from and against any and all losses, damages or expenses of whatever form or nature (including attorneys' fees and other costs of defending any action) which they or any of them may sustain or incur, whether as a result of breach of contract, warranty, tort (including negligence) or otherwise, by reason of such use.

13. REMEDIES AND LIMITATIONS OF LIABILITY.

In the event Buyer claims Seller has breached any of its obligations under the Sales Contract, whether of warranty or otherwise, Seller may request the return of Goods and tender to Buyer, at Seller's option, a replacement shipment of Goods. If Seller so requests the return of the Goods, the Goods will be redelivered to Seller in accordance with Seller's instructions and at Buyer's expense. Except as herein provided, Seller shall have no further obligation under the Sales Contract. The remedies contained in this paragraph and paragraph 12 hereof shall constitute the sole recourse of Buyer against Seller for breach of any of Seller's obligations under the Sales Contract, whether warranty or otherwise.

14. TECHNICAL ADVICE.

Any technical advice furnished or recommendation made by Seller or any representative of Seller concerning any use or application of any of the Goods is believed to be reliable, but SELLER MAKES NO WARRANTY, EXPRESSED OR IMPLIED, ON RESULTS TO BE OBTAINED. BUYER ASSUMES ALL RESPONSIBILITY FOR LOSS OR DAMAGE RESULTING FROM THE HANDLING OR USE OF ANY OF THE GOODS.

15. FORCE MAJEURE.

Seller shall not be liable for failure to perform its obligations under the Sales Contract in whole or in part caused by the occurrence of any contingencies beyond the reasonable control either of Seller or of suppliers of Seller. If any such contingency occurs, Seller may allocate Goods and deliveries among Seller's customers.

16. ASSIGNMENT AND DELEGATION.

No right or interest in the Sales Contract shall be assigned by Buyer without Seller's prior written consent, and no delegation of any obligation owed, or to the performance of any obligation by Buyer shall be made without Seller's prior written consent. Any attempt at assignment or delegation shall be wholly void and totally ineffective for all purposes unless made in conformity with this paragraph.

17. PATTERNS AND TOOLING.

Unless otherwise agreed to in writing with Buyer, Seller shall retain title to and possession of all special tooling, patterns and dies whether paid for by Buyer or not, but such special tooling, patterns and dies that are specifically paid for by Buyer will be held by Seller exclusively for the manufacture of Buyer's Goods for not more than 2 years after the date of Buyer's last order requiring their use. Seller will exercise reasonable care in handling and storing any tooling, patterns or dies specifically paid for by Buyer, but Seller shall not be liable for damage or loss thereof.

18. PATENTS. SELLER MAKES NO REPRESENTATION OR WARRANTY WITH RESPECT TO THE PATENTABILITY OF THE GOODS OR THAT ANY OF THE GOODS WILL BE FREE FROM CLAIMS OF INFRINGEMENT.

Buyer agrees to indemnify and defend Seller in any such suit, action or proceeding for any claim resulting from actual or alleged infringement of any domestic or foreign letters patent for (i) any feature, construction or design incorporated at Buyer's request in any Goods or to adapt such Goods to the particular use of Buyer or Buyer's customers or (ii) any additions, changes or adaptations made by Buyer or Buyer's customers after delivery of the Goods.

19. CONFIDENTIAL INFORMATION.

All drawings, diagrams, specifications, technical data and other materials furnished by Seller and identified by Seller as confidential are and shall remain the exclusive property of Seller and shall be returned to Seller upon request. Buyer agrees to treat such information and material as confidential and not to reproduce or disclose such information or materials without Seller's prior written consent. This paragraph does not apply to any information already known to and readily accessible in the trade or which may become so through no fault of Buyer.

20. CHANGES.

Seller may, at any time, without notice, make changes (whether in design, material, improvements or otherwise) in any catalog Goods, and may discontinue the manufacture of any catalog Goods, all in its sole discretion, without incurring any obligations of any kind as a result thereof, whether for failure to fill an order of Buyer or otherwise.

21. CANCELLATION.

The Buyer may not cancel purchase orders without the prior written consent of Seller. This consent will be conditioned on Buyer's agreement to pay Seller's cancellation charges. Purchase orders for Goods that are substantially complete, as judged by Seller, may not be cancelled and will be shipped and invoiced at the price on the order. For Goods that are not substantially complete, the cancellation charge shall amount to all costs and expenses incurred by Seller and arising out of or in connection with Buyer's order, net of recoverability, but in no event less than 10% of the total invoice price of the equipment or more than the total invoice price.

22. INSTALLATION.

Installation of the Goods shall be by Buyer unless otherwise specifically stated in the Sales Contract.

23. SEVERABILITY.

If any term or provision contained in the Sales Contract is declared or held invalid by a court of competent jurisdiction, such declaration or holding shall not affect the validity of any other term, clause or provision contained herein.

24. GOVERNING LAW AND LIMITATION.

(a) These Terms and Conditions, and the contract of sale between Seller and Buyer, shall be governed by and construed in accordance with the laws of the State of Wisconsin. Seller and Buyer hereby agree that any legal action deemed necessary by either party hereto shall be brought in the Circuit Court in and for Ozaukee County, Wisconsin and hereby consent to the personal jurisdiction of such court in any such action over the parties hereto. The rights and obligations of Seller and Buyer shall not be governed by the provisions of the United Nations Convention on Contracts for the International Sale of Goods.

(b) Attorney's Fees - Buyer agrees to pay all of Seller's costs and expenses of collection and litigation, including but not limited to attorneys' fees and costs.

(c) Applicability - The Terms and Conditions as stated herein are applicable as of the date of this printing and until such time as changed by Seller.

**IMPORTANT INFORMATION**
PLEASE READ CAREFULLY

This catalog is not intended to provide operational instructions. Appropriate LEESON Electric instructions provided with the motor and precautions attached to the motor should be read carefully prior to installation, operation and/or maintenance of the equipment. Injury to personnel or motor failure may be caused by improper installation, maintenance or operation.

The following **WARNING** and **CAUTION** information is supplied to you for your protection and to provide you with many years of trouble free and safe operation of your LEESON Electric product:



- Disconnect power and lock out driven equipment before working on a motor.
- Always keep hands and clothing away from moving parts.
- The lifting support on the motor is not to be used to lift the entire machine. Only the motor attached directly to the support may be safely lifted by the support.
- Install and ground per local and national codes.
- Discharge all capacitors before servicing a single phase motor.
- Misapplication of a motor in hazardous environments can cause fire or an explosion and result in serious injury. Only the end user, local authority having jurisdiction, and/or insurance underwriter are qualified to identify the appropriate class(es), group(s), division and temperature code LEESON Electric personnel cannot evaluate or recommend what motors may be suitable for use in hazardous environments. If a motor is name plated for hazardous locations, do not operate the motor without all of the grease and drain plugs installed.
- Never attempt to measure the temperature rise of a motor by touch. Temperature rise must be measured by thermometer, resistance, resistance, imbedded detector or thermocouple.
- Motors with automatic reset thermal protectors will automatically restart when the protector temperature drops sufficiently. Do not use motors with automatic reset thermal protectors in applications where automatic restart will be hazardous to personnel or equipment.
- Motors with manual reset thermal protectors may start unexpectedly after the protector trips when the surrounding air is at +20° Fahrenheit or lower. If the manual reset protector trips, disconnect motor from its power supply. After the protector cools (five minutes or more), it can be reset and power may be applied to the motor.
- Connect all protective device leads, marked P1, P2, etc., per instructions supplied with the motor.
- Operation of a motor at other than its nameplate rating may result in fire, damage to equipment or serious injury to personnel.
- For safety, Buyer or User should provide protective guards over all shaft extensions and any moving apparatus mounted thereon. The User is responsible for checking all applicable safety codes in his area and providing suitable guards. Failure to do so may result in bodily injury and/or damage to equipment.



- Consult qualified personnel with questions and all electrical repairs must be performed by trained and qualified personnel only.
- For motors nameplated as “belted duty only”, do not operate the motor without belts properly installed.
- Motors and/or driven equipment should not be operated faster than their rated speed.
- For inverter applications, follow the inverter manufacturer’s installation guidelines.
- Make sure the motor is properly secured and aligned before operation.

In the event of the resale of any of the goods, in whatever form, Resellers/Buyers will include the following language in a conspicuous place and in a conspicuous manner in a written agreement covering such sale:

The manufacturer makes no warranty or representations, express or implied, by operation of law or otherwise, as to the merchantability or fitness for a particular purpose of the goods sold hereunder. Buyer acknowledges that it alone has determined that the goods purchased hereunder will suitably meet the requirements of their intended use. In no event will the manufacturer be liable for consequential, incidental or other damages. Even if the repair or replacement remedy shall be deemed to have failed of its essential purpose under Section 2-719 of the Uniform Commercial Code, the manufacturer shall have no liability to Buyer for consequential damages.

Resellers/Buyers agree to also include this entire document including the warnings and cautions above in a conspicuous place and in a conspicuous manner in writing to instruct users on the safe usage of the product.

This information should be read together with all other printed information supplied by LEESON Electric.

For more information contact: **LEESON Electric**, 2100 Washington Street, Grafton, Wisconsin 53024
Phone: 262-377-8810 or Fax: 262-377-3440

⚠ WARNING

**IMPORTANT INFORMATION
PLEASE READ CAREFULLY**

⚠ CAUTION

The following **⚠ WARNING** and **⚠ CAUTION** information is supplied to you for your protection and to provide you with many years of trouble free and safe operation of your **LEESON Electric product**:

Read **ALL** instructions prior to operating reducer. Injury to personnel or reducer failure may be caused by improper installation, maintenance or operation.

⚠ WARNING

- Written authorization from LEESON Electric is required to operate or use reducers in man lift or people moving devices.
- Check to make certain application does not exceed the allowable load capacities published in the current catalog.
- Buyer shall be solely responsible for determining the adequacy of the product for any and all uses to which Buyer shall apply the product. The application by Buyer shall not be subject to any implied warranty of fitness for a particular purpose.
- For safety, Buyer or User should provide protective guards over all shaft extensions and any moving apparatus mounted thereon. The User is responsible for checking all applicable safety codes in his area and providing suitable guards. Failure to do so may result in bodily injury and/or damage to equipment.
- Hot oil and reducers can cause severe burns. Use extreme care when removing lubrication plugs and vents.
- Make certain that the power supply is disconnected before attempting to service or remove any components. Lock out the power supply and tag it to prevent unexpected application of power.
- Reducers are not to be considered fail safe or self-locking devices. If these features are required, a properly sized, independent holding device should be utilized. Reducers should not be used as a brake.
- Any brakes that are used in conjunction with a reducer must be sized or positioned in such a way so as to not subject the reducer to loads beyond the catalog rating.
- Lifting supports including eyebolts are to be used for vertically lifting the gearbox only and no other associated attachments or motors.
- Use of an oil with an EP additive on units with backstops may prevent proper operation of the backstop. Injury to personnel, damage to the reducer or other equipment may result.
- Overhung loads subject shaft bearings and shafts to stress which may cause premature bearing failure and/or shaft breakage from bending fatigue, if not sized properly.

⚠ CAUTION

- Test run unit to verify operation. If the unit tested is a prototype, that unit must be of current production.
- If the speed reducer cannot be located in a clear and dry area with access to adequate cooling air supply, then precautions must be taken to avoid the ingestion of contaminants such as water and the reduction in cooling ability due to exterior contaminants.
- Mounting bolts should be routinely checked to ensure that the unit is firmly anchored for proper operation.

In the event of the resale of any of the goods, in whatever form, Resellers/Buyers will include the following language in a conspicuous place and in a conspicuous manner in a written agreement covering such sale:

The manufacturer makes no warranties or representations, express or implied, by operation of law or otherwise, as to the merchantability or fitness for a particular purpose of the goods sold hereunder. Buyer acknowledges that it alone has determined that the goods purchased hereunder will suitably meet the requirements of their intended use. In no event will the manufacturer be liable for consequential, incidental or other damages. Even if the repair or replacement remedy shall be deemed to have failed of its essential purpose under Section 2-719 of the Uniform Commercial Code, the manufacturer shall have no liability to Buyer for consequential damages.

Resellers/Buyers agree to also include this entire document including the warnings and cautions above in a conspicuous place and in a conspicuous manner in writing to instruct users on the safe usage of the product.

This information should be read together with all other printed information supplied by LEESON Electric.



NOTES



In addition to the information in this catalog, your LEESON distributor or local District Sales Office can provide additional literature, product support or application assistance.



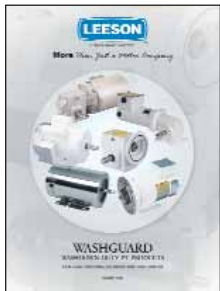
Stock Products – Quick Reference Guide

A Quick view of LEESON’s offering of over 6,000 electric motors, gearmotors, gear reducers and AC and DC drives. Motors cover the range of sub-fractional through hundreds of HP in general purpose and specific purpose designs. Bulletin 1055.



Lincoln Industrial & Commercial AC Motors (E35 Brochure)

This “Lite” catalog shows some of the industrial and commercial offerings of the Lincoln product line as well as giving a brief description and HP range of these products. Lincoln products start on page 184.



WASHGUARD Washdown-Duty PT Products (Bulletin 1500)

Detailed information on WASHGUARD, WASHGUARD II and WASHGUARD All-Stainless motors, built to withstand high-pressure washdowns. Also provides information on WASHGUARD Inverter Drives and IRONMAN® Worm Gear Reducers. Pages 28-39 in this catalog.



Sub-FHP Gearmotors (Bulletin 1830)

Range of sub-fractional HP AC and DC Gearmotors is reviewed. Both right-angle and parallel shaft models, 5 through 1112 in-lbs torque. Pages 90-109 in this catalog.



AC Inverter Drives (Bulletin 1400)

Full-feature, compact Inverter Drives in NEMA 1, NEMA 4/12 and NEMA 4X enclosures. “Big drive” control in extremely small package. Pages 110-120 in this catalog.



Lincoln’s line of Elevator motors include Dry Hydraulic Pump Motors, Variable Voltage Variable Frequency (VVVF) Elevator Hoist motors and Submersible Hydraulic Elevator Pump Motors. Pages 261-266 in this catalog. Ask for Elevator Flyer information.



All Stainless Steel Motors, Gearmotors and Drives (Bulletin 1525)

Broad range of stainless steel product, from AC motors to gear reducers.



(Bulletin 7050)

LEESON offers a comprehensive line of gear reducers in their Bravo and LeCentric line of Aluminum reducers. These low weight and modular constructed reducers offer hundreds of application solutions.



Extreme Duck All Stainless (Bulletin 1550)

LEESON’s Extreme Duck motor is built to endure in harsh washdown conditions. Features include patent pending “Q-CAR” rotor cartridge design and Screw on conduit box covers. Pages 38-39 in this catalog.



Renewal Parts (Bulletin 1054)

Ordering information for the most popular stock motor renewal parts.

DISTRICT SALES OFFICES AND WAREHOUSES

■ SALES OFFICE AND WAREHOUSE □ SALES OFFICE ONLY

LEESON District Sales Offices & Warehouses can provide complete information including price and availability on both standard stock and special motors.

- **ARKANSAS, Little Rock**
District Mgr.,
Kevin Springstead
972/245-2017
Fax: 972/245-2328
- **CALIFORNIA, Los Angeles**
Co-District Mgrs.,
Felix Wilson,
Oswald Aguirre
323/278-7979
Fax: 323/278-7955
- **CALIFORNIA, San Francisco**
District Mgr.,
Dave Richardson
925/931-0749
Fax: 925/931-0759
- **COLORADO, Denver**
District Mgr.,
Mike Kannawin
303/331-6500
Fax: 303/331-6510
- **CONNECTICUT, Hartford / Metro Boston, MA**
Co-District Mgrs.,
Craig Brisbane,
Joel Casaubon
508/347-5117
Fax: 508/347-2612
- **FLORIDA, Tampa**
District Mgr., Bill Taylor
813/740-2571
Fax: 813/663-9104
- **GEORGIA, Atlanta**
District Mgr., Walter Brooks
770/933-0453
Fax: 770/933-0549
- **ILLINOIS, Chicago**
Co District Mgrs.,
Mike Miller,
Robert Sheppard
630/458-9511
Fax: 630/458-1923
- **INDIANA, Indianapolis**
District Mgr.,
Mark Rodman
317/776-2600
Fax: 317/776-2007
- **IOWA, Des Moines**
District Mgr.,
John Marshalla
952/939-0115
Fax: 952/935-8399
- **KANSAS, Kansas City**
District Mgr., Pat Donnelly
913/599-6983
Fax: 913/599-6987
- **MARYLAND/Baltimore**
District Mgr., Craig Brisbane
570/325-3684
Fax: 570/325-3870
- **MICHIGAN, Grand Rapids**
District Mgr., Greg Norris
616/249-8430
Fax: 616/249-8628
- **MINNESOTA, Minneapolis**
District Mgr., John Marshalla
952/935-8273
Fax: 952/935-8399
- **MISSOURI, St. Louis**
District Managers
Pat and Ken Anvender
314/714-1460
Fax: 314/714-1461
- **NEW JERSEY/METRO NEW YORK/LONG ISLAND**
(Plainfield, NJ 18229)
Contact: Dave Beck
570/325-3684
Fax: 570/325-3870
- **NEW YORK, Syracuse**
District Mgr.,
Chris Brisbane
866/505-8796
Fax: 570/325-3870
- **NORTH CAROLINA, Charlotte**
District Mgrs.,
Steve McAbee
and Doug Landgraf
803/396-8200
Fax: 803/396-8208
- **OHIO, Cincinnati**
District Mgr., Ken Simko
513/755-1000
Fax: 513/755-1081
- **OHIO, Cleveland**
District Mgr., Matt Simko
440/951-5117
Fax: 440/975-3575
800/331-2911 (W.PA, WV)
- **OKLAHOMA, Oklahoma City**
Contact: Owen Stone,
Gary Robinson
405/348-5700
Fax: 405/348-0600
- **PENNSYLVANIA, Allentown/Philadelphia**
District Mgr., Craig Brisbane
570/325-3684
Fax: 570/325-3870
- **TEXAS, Dallas**
District Mgr., Homer
Rodden,
Kevin Springstead
972/245-2017
Fax: 972/245-2328
- **TEXAS, Houston**
Contact,
Donnie Heckler
713/952-5337
Fax: 972/245-2328
- **UTAH, Salt Lake City**
District Mgr., Dennis Vest
800/730-5290
Fax: 303/331-6510
- **WASHINGTON, Seattle**
District Mgr.,
Amorette Gent
425/775-3504
Fax: 425/775-6706
- **WISCONSIN, Milwaukee**
District Mgr., Tom Bares
414/475-9222
Fax: 414/475-9267
- **INTERNATIONAL**
International Sales
Administrator,
Sue Kastner
WISCONSIN, Grafton
(+1) 262/377-8810
Fax: (+1) 262/377-3440
- **ASIA**
CHINA, Shanghai
(+86) 21-625-317-00
Fax: (+86) 21-625-587-07
- **CENTRAL AMERICA, SOUTH AMERICA & CARIBBEAN**
FLORIDA, Miami
Contact: Manny Garcia, Jr.
(+1) 305/220-4423
Fax: (+1) 305/220-5945
- **EUROPE**
ITALY, Bologna
(+39) 051-731-487
Fax: (+39) 051-734-943

LEESON CANADA

- **ALBERTA, Edmonton**
Branch Mgr.,
Mike Strenkowski
780/437-3380
Fax: 780/434-3448
- **BRITISH COLUMBIA, Vancouver**
Branch Mgr.,
Jeff Male
604/941-0352
Fax: 604/941-0659
- **MANITOBA, Winnipeg**
Branch Mgr., Charlie Vogel
204/786-6802
Fax: 204/786-6934
- **NEW BRUNSWICK, Moncton**
Branch Mgr., Ken
Sheehan
506/383-8883
Fax: 506/383-8887
- **ONTARIO, Toronto**
National Sales Mgr.,
Frank Pesce
905/670-4770
Fax: 905/670-4378
- **ONTARIO, Hanover**
Branch Mgr.,
Doug Stafford
800/463-1797
Fax: 800/225-9007
- **QUEBEC, Montreal**
Branch Mgr.,
Benoit Gagne
514/337-8020
Fax: 514/337-0773



Your Packaged Solutions Provider



Variable Speed Solutions

PT components packaged for optimum performance and energy savings.



Energy Saving Solutions



Stainless Solutions

FOR MORE INFORMATION CONTACT:



More Than Just a Motor Company

GRAFTON, WISCONSIN 53024-0241 U.S.A.
TEL (262)377-8810 FAX (262)377-9025 www.leeson.com

Specifications and prices subject to change without notice.
© LEESON ELECTRIC, 2008



CATALOG 1050 6144S-SK/03-08/25M/HESS
PRINTED IN U.S.A.

